



US00D424188S

United States Patent [19]

[11] **Patent Number: Des. 424,188**

Liu

[45] **Date of Patent: ** May 2, 2000**

[54] **COMBINED CEILING FAN AND LIGHT FIXTURE**

*Primary Examiner—Lisa Lichtenstein
Attorney, Agent, or Firm—Charles E. Baxley, Esq.*

[76] Inventor: **Chen-Tze Liu**, No. 346, Shui-Yuan Rd., Feng Yuan, Taichung, Taiwan

[57] **CLAIM**

[**] Term: **14 Years**

The ornamental design for a combined ceiling fan and light fixture, as shown and described.

[21] Appl. No.: **29/110,341**

DESCRIPTION

[22] Filed: **Sep. 7, 1999**

FIG. 1 is a front elevational view of a combined ceiling fan and light fixture, showing my new design;

[51] **LOC (7) Cl.** **23-04**

FIG. 2 is a rear elevational view thereof;

[52] **U.S. Cl.** **D23/377; D23/379; D23/385**

FIG. 3 is a left side elevational view thereof;

[58] **Field of Search** D23/377, 379, D23/385, 411, 413; 416/5; 362/96; 392/364; D26/81-86, 59, 51, 88, 72, 80

FIG. 4 is a right side elevational view thereof;

FIG. 5 is a up plan side view thereof;

FIG. 6 is a bottom plan view thereof; and,

FIG. 7 is an enlarged perspective view thereof.

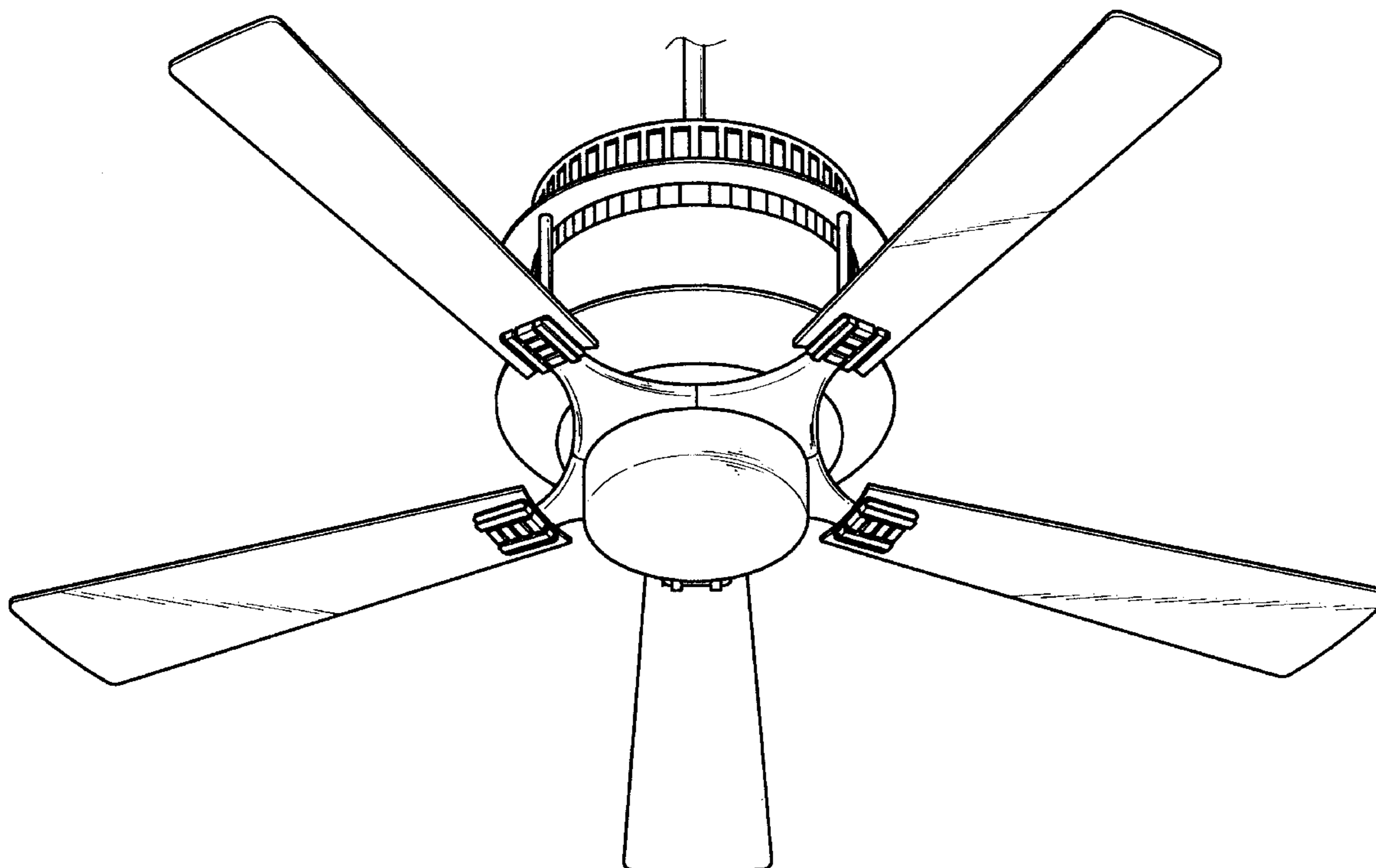
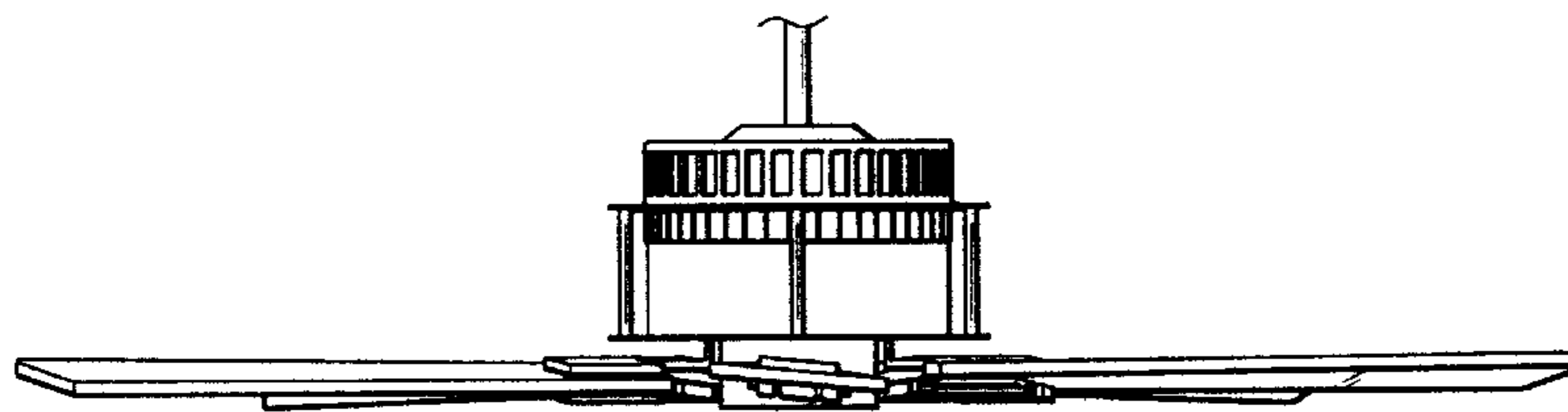
[56] **References Cited**

The support rod has been shown broken away in FIGS. 1-7 to indicate indeterminate length.

U.S. PATENT DOCUMENTS

- D. 406,332 3/1999 Liu D23/411
- D. 414,857 10/1999 Zuege D23/377

1 Claim, 5 Drawing Sheets



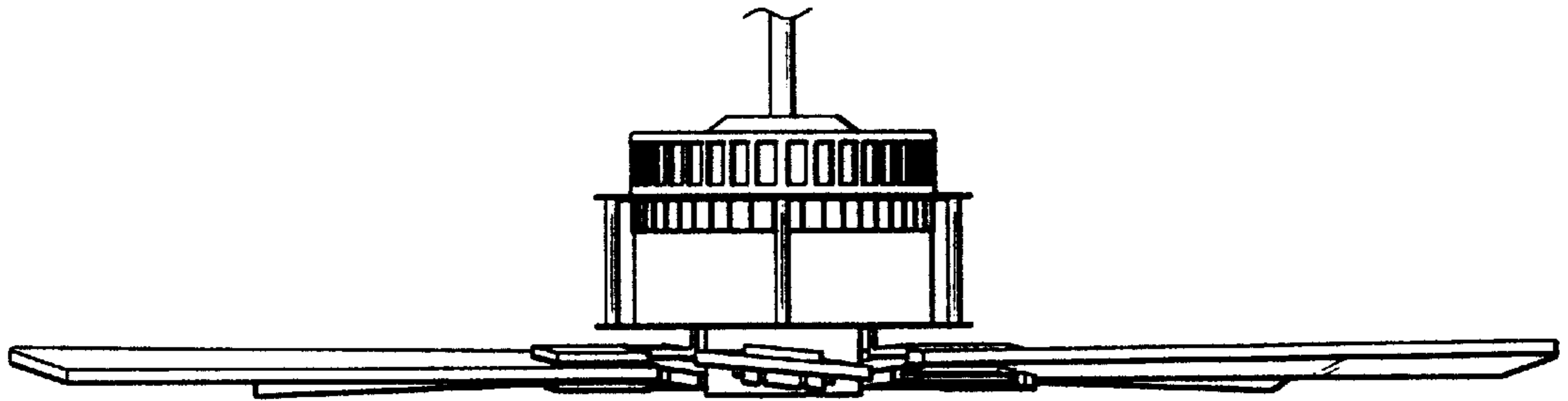


FIG. 1

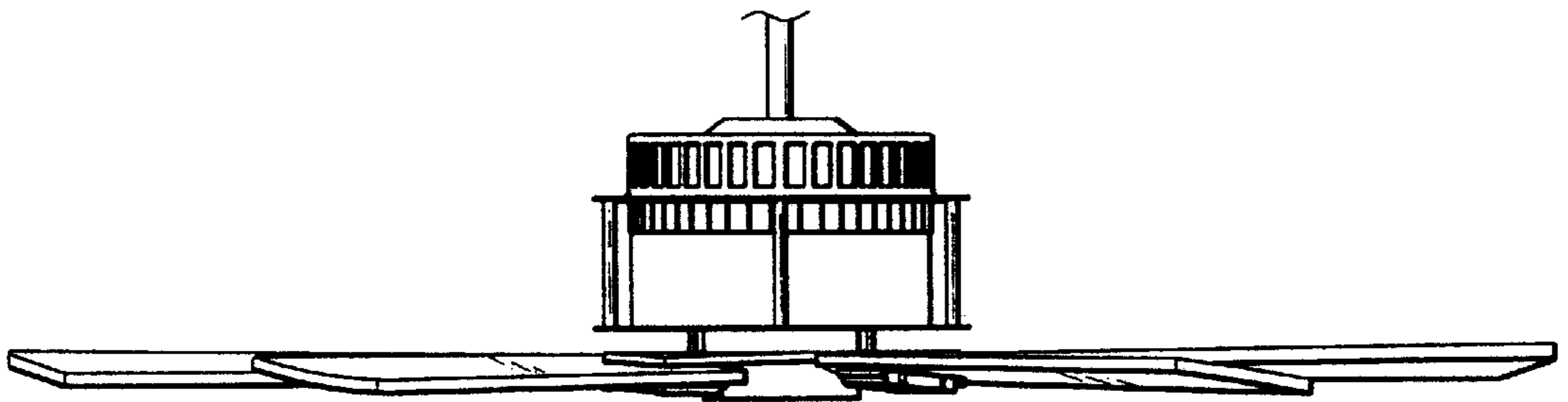


FIG. 2

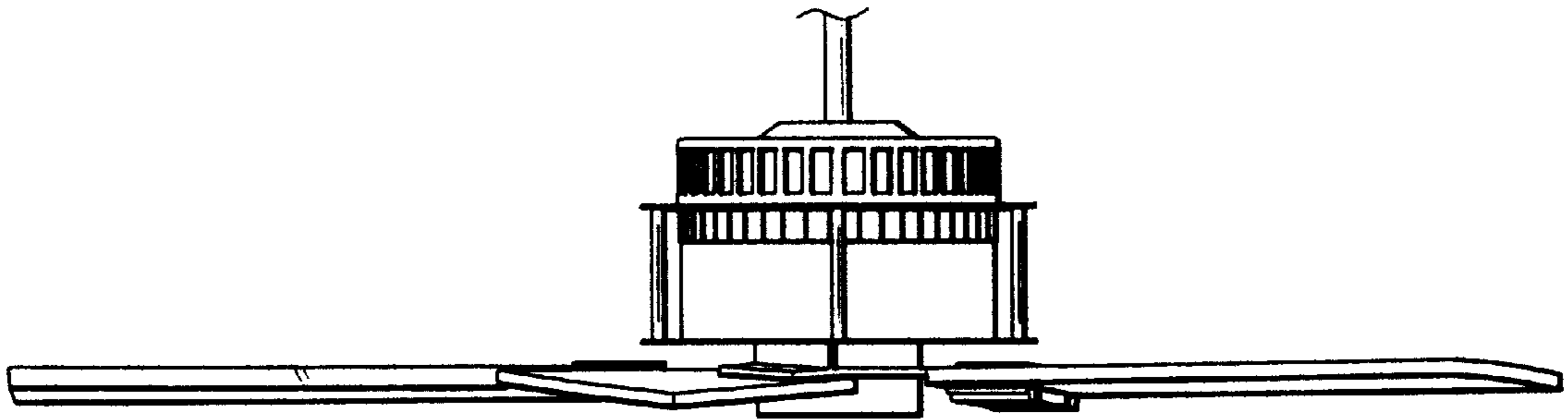


FIG. 3

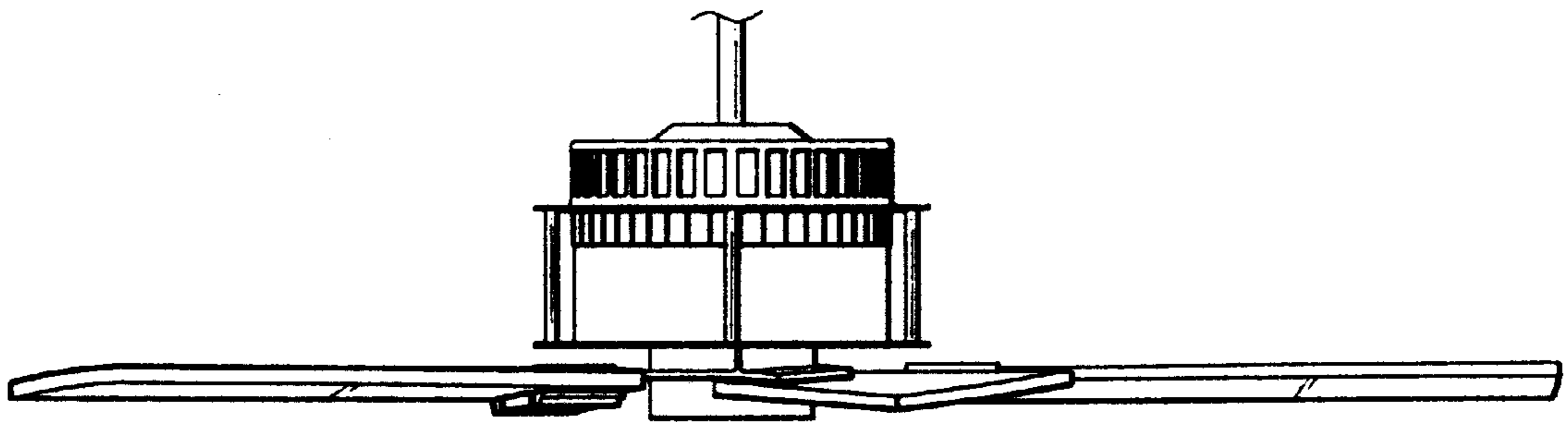


FIG. 4

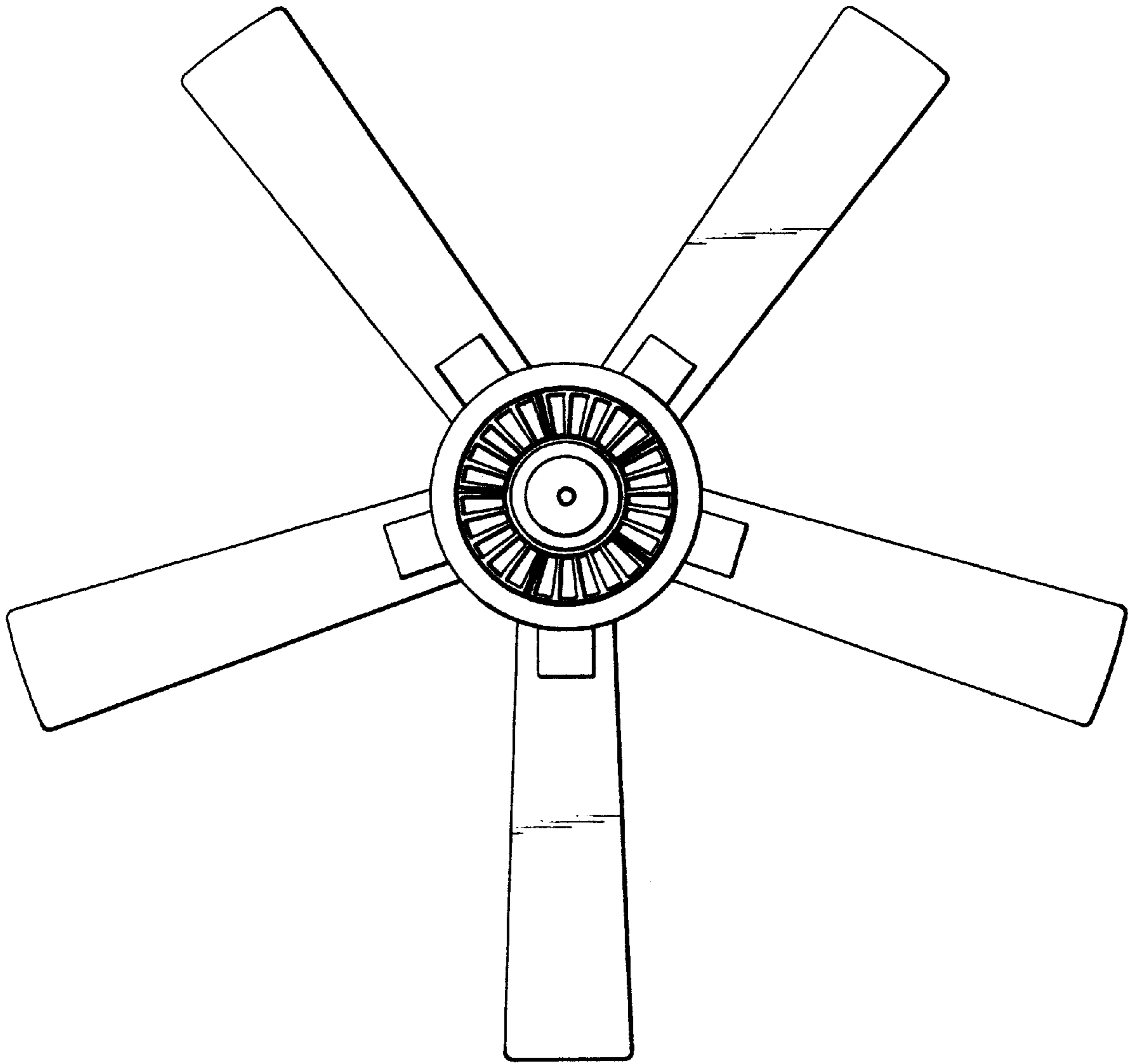


FIG. 5

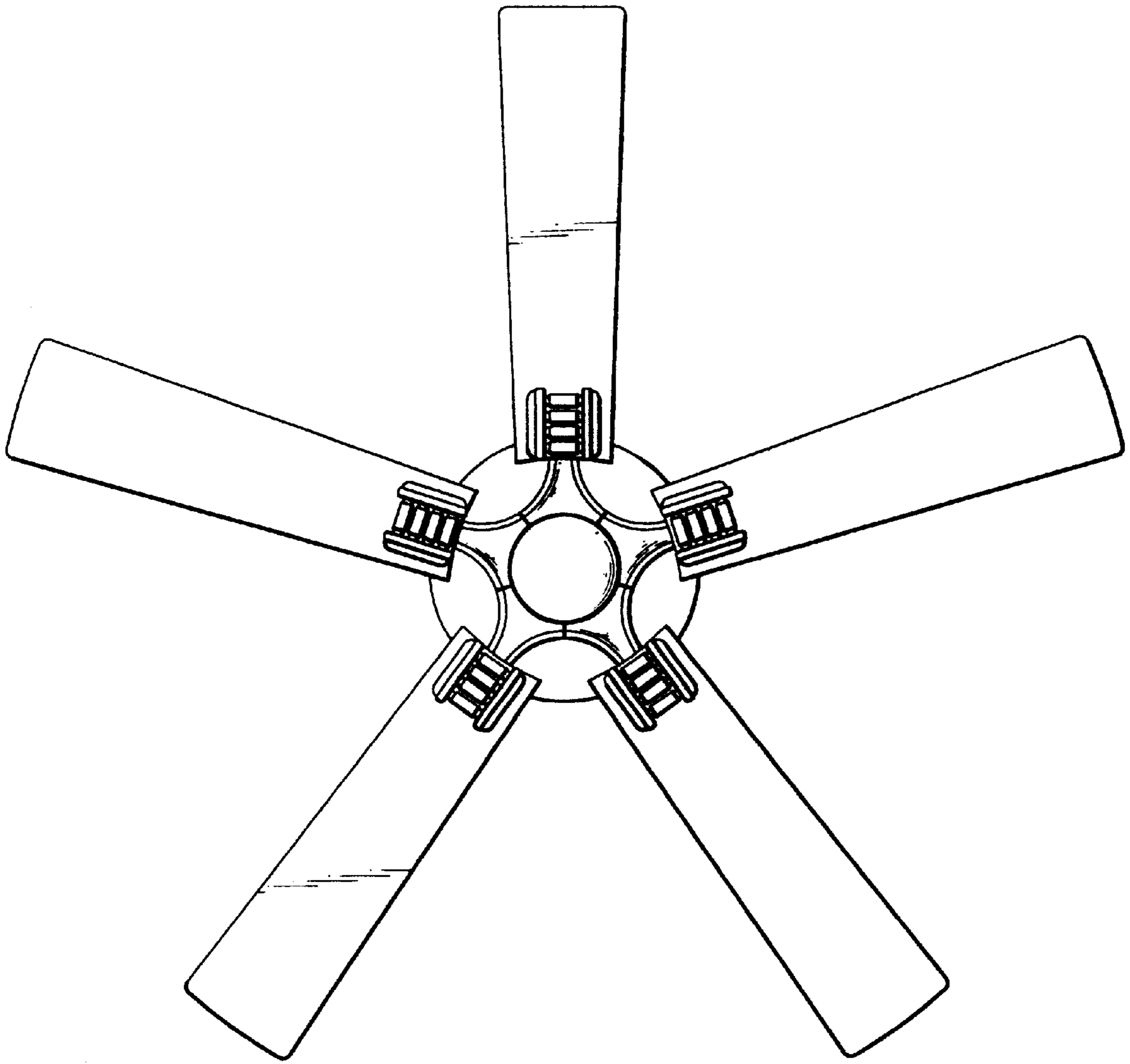


FIG. 6

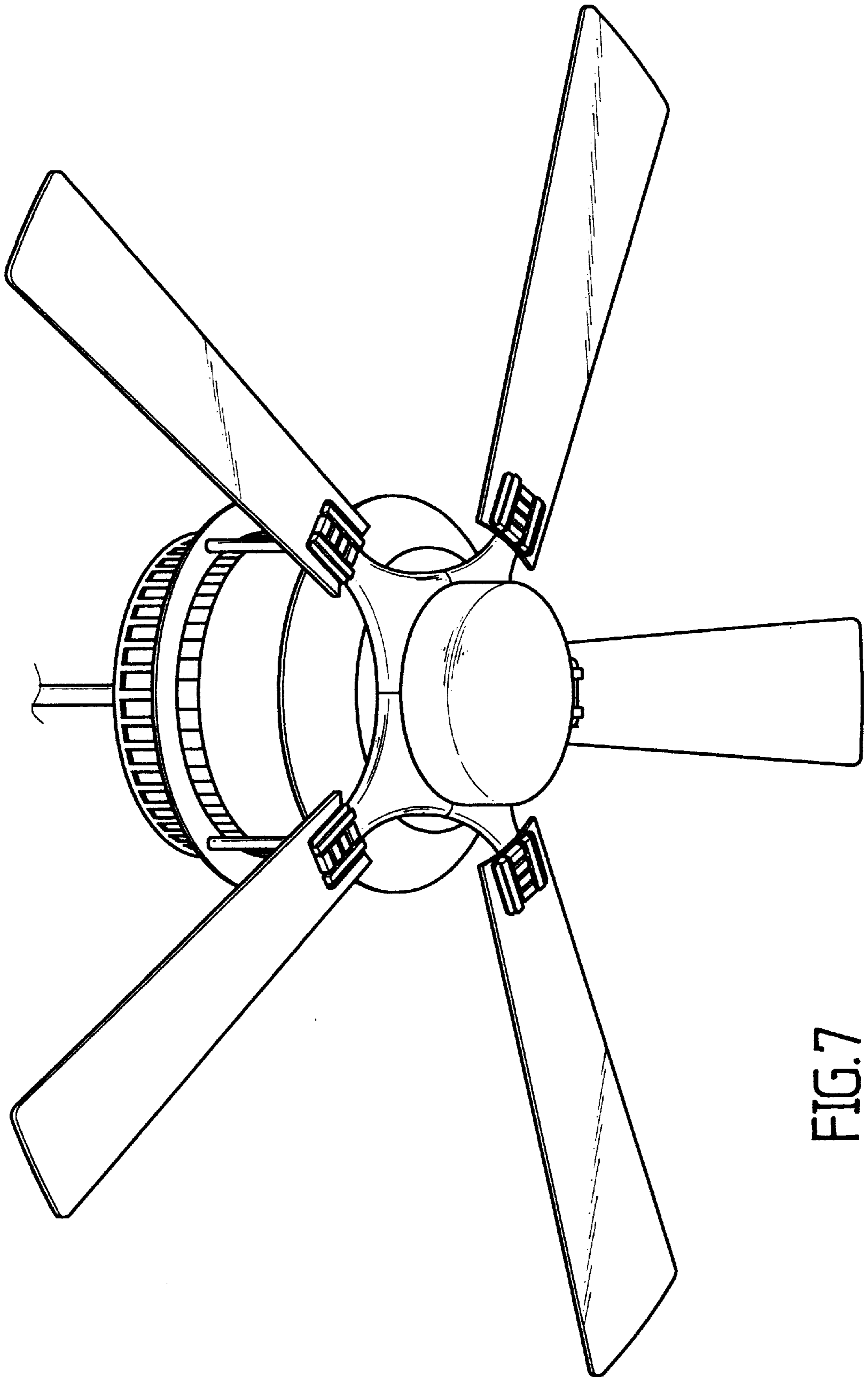


FIG. 7