



US00D424187S

United States Patent [19]

[11] **Patent Number: Des. 424,187**

Lo

[45] **Date of Patent: ** May 2, 2000**

[54] **CEILING FAN**

D. 408,516 4/1999 Tai D23/377
5,292,228 3/1994 Dye 416/5

[76] Inventor: **Simon Lo**, P.O. Box 63-99, Taichung,
Taiwan, 406

Primary Examiner—Mitchell Siegel

[**] Term: **14 Years**

[57] **CLAIM**

[21] Appl. No.: **29/100,121**

The ornamental design for a ceiling fan, as shown and described.

[22] Filed: **Feb. 4, 1999**

DESCRIPTION

[51] **LOC (7) Cl.** **23-04**

[52] **U.S. Cl.** **D23/377**

[58] **Field of Search** D23/377, 385,
D23/411, 413; 248/318; 326/253, 404, 96;
416/5

FIG. 1 is a perspective view of a ceiling fan showing my new design;

FIG. 2 is a front elevational view thereof, the opposite side being a mirror image of that shown;

FIG. 3 is a top plan view thereof; and,

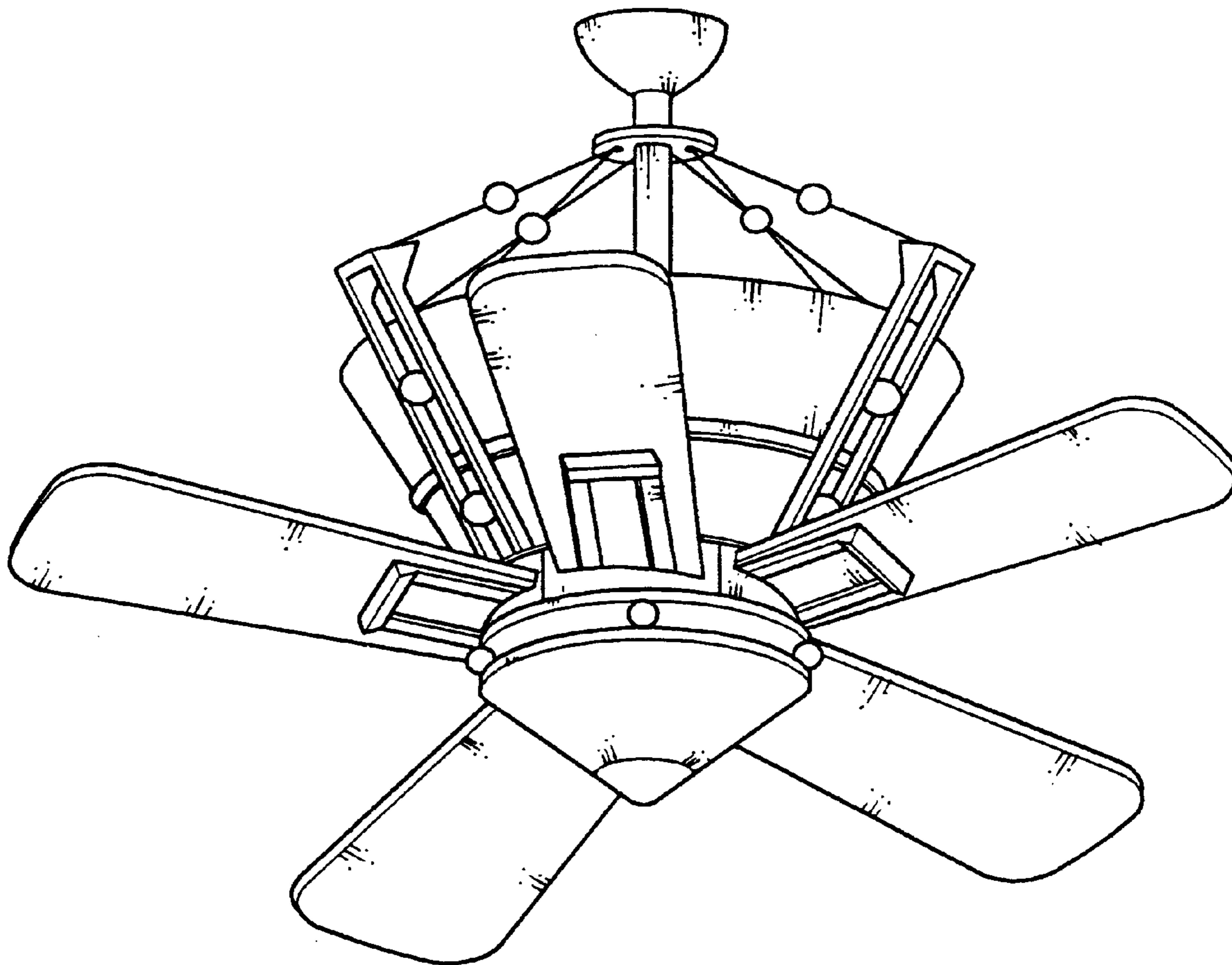
FIG. 4 is a bottom plan view thereof.

[56] **References Cited**

U.S. PATENT DOCUMENTS

D. 408,074 4/1999 Tai D23/377

1 Claim, 3 Drawing Sheets



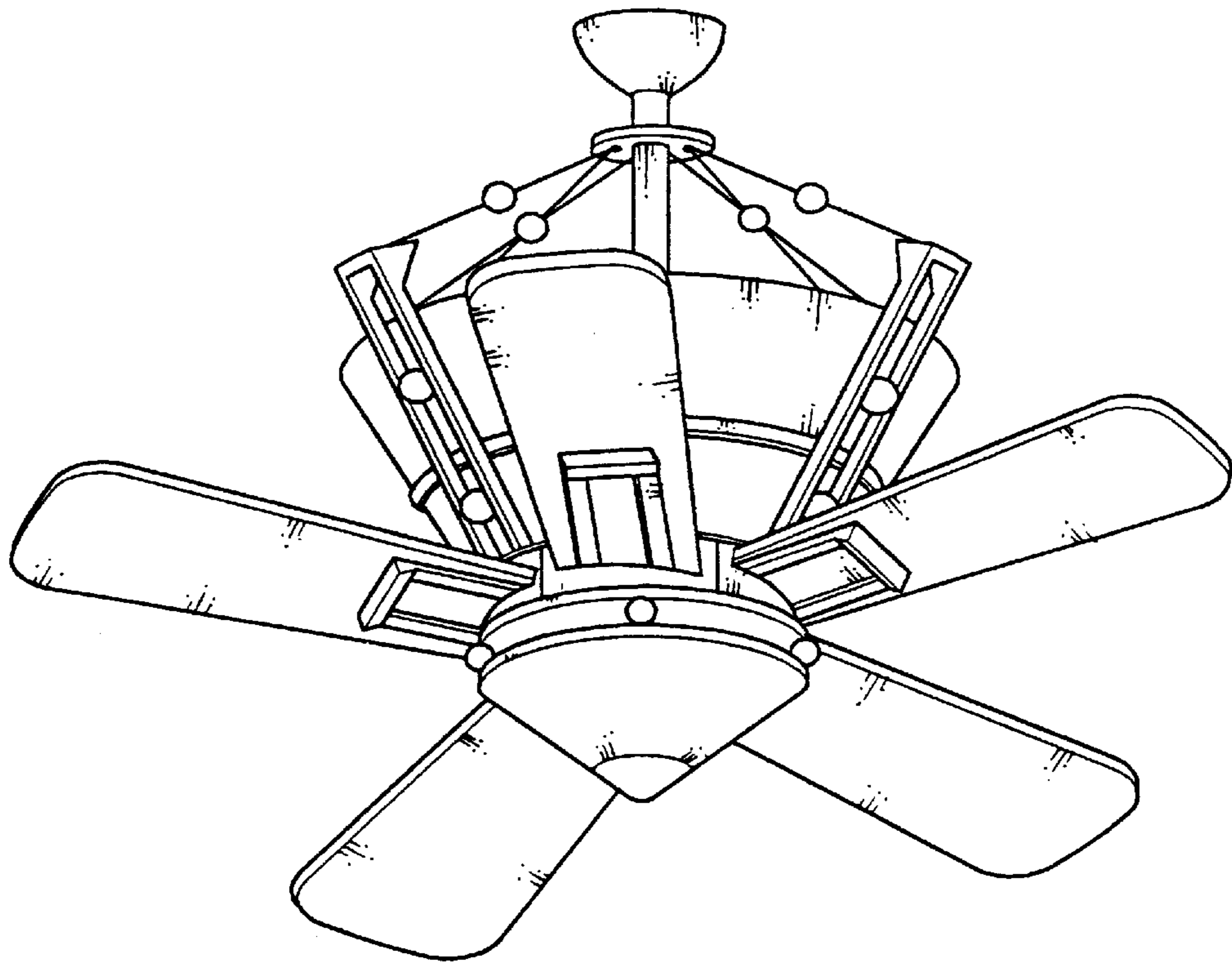


FIG. 1

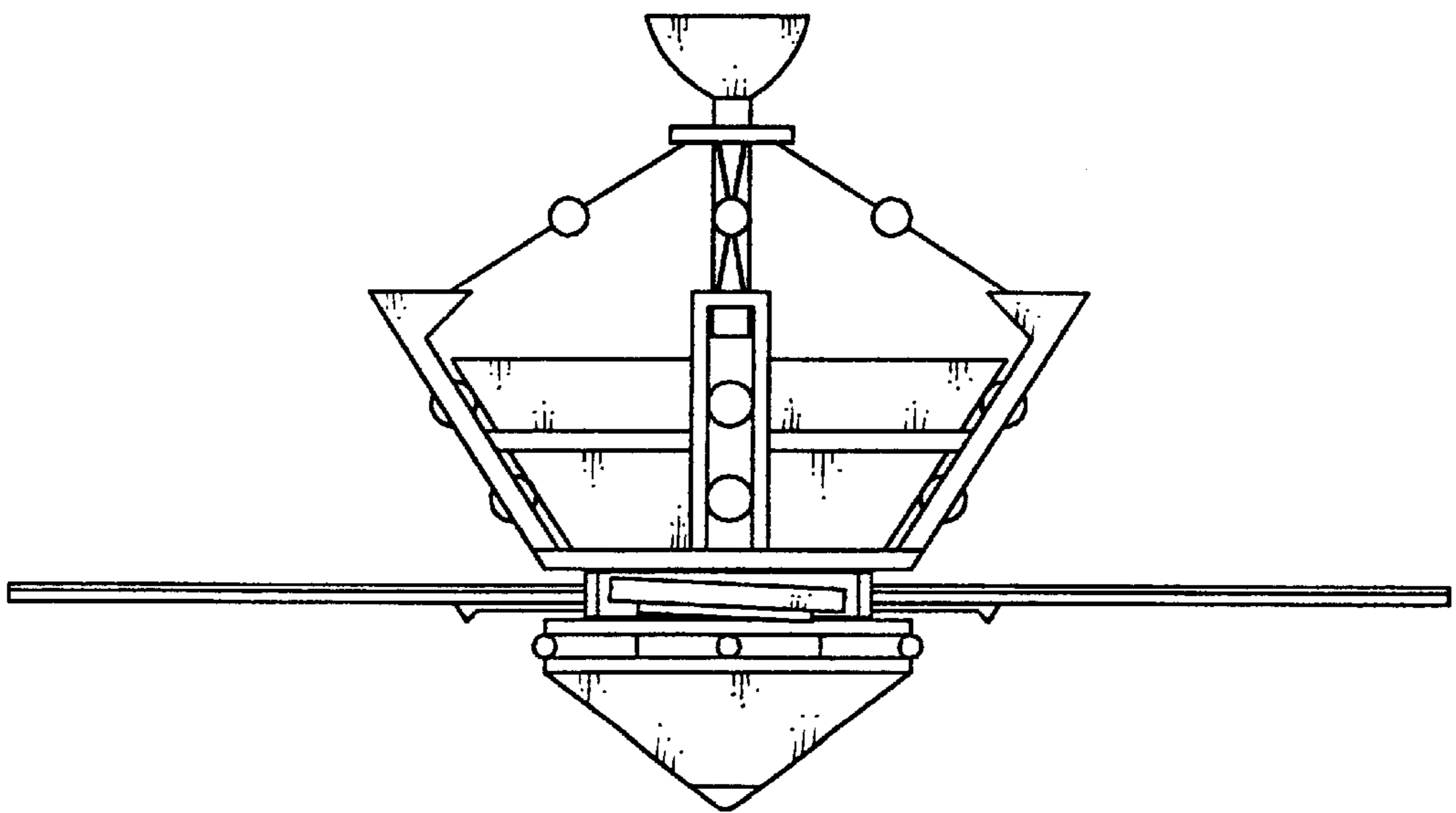


FIG. 2

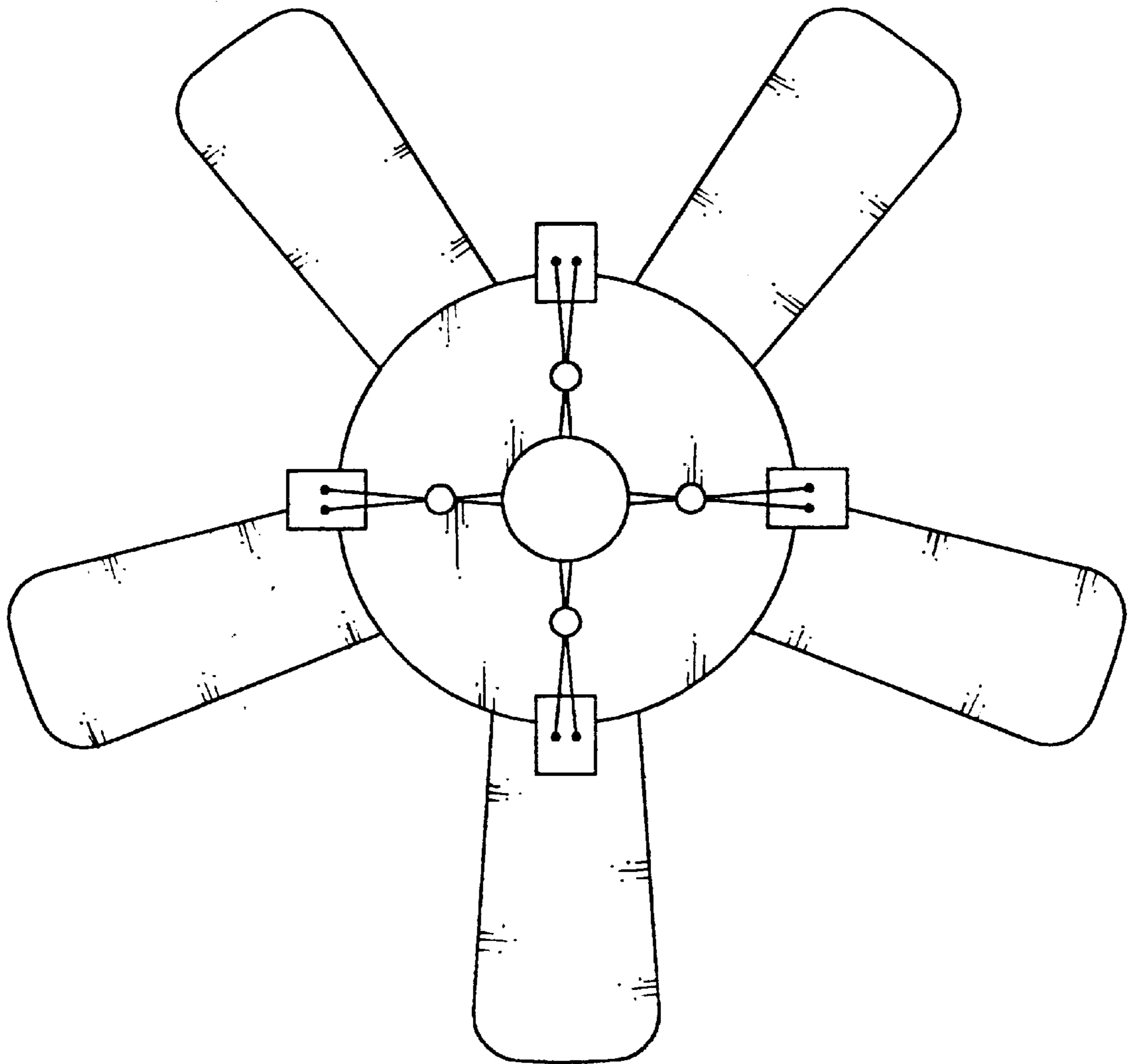


FIG. 3

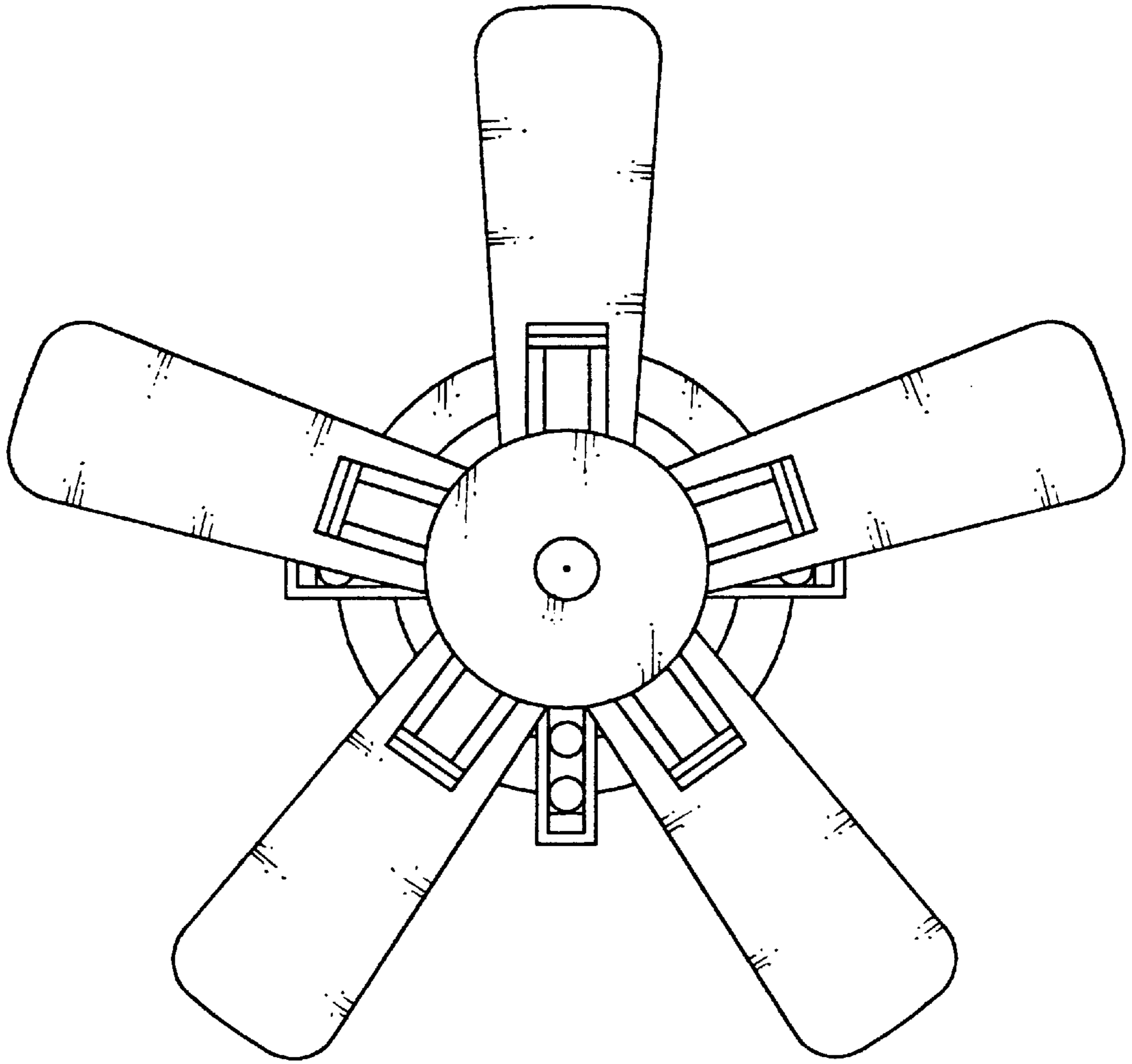


FIG. 4