



US00D424186S

United States Patent [19]

Dodson

[11] Patent Number: Des. 424,186

[45] Date of Patent: ** May 2, 2000

[54] COOLING DEVICE

D. 296,587 7/1988 Dodson D23/370
4,568,243 2/1986 Schubert et al. 415/213.1

[76] Inventor: Douglas A. Dodson, 5995 Avenida Encinas, Carlsbad, Calif. 92008

Primary Examiner—Lisa Lichtenstein
Attorney, Agent, or Firm—Calif Tervo

[**] Term: 14 Years

[57] CLAIM

[21] Appl. No.: 29/106,987

The ornamental design for a cooling device, as shown.

[22] Filed: Jun. 28, 1999

DESCRIPTION

[51] LOC (7) Cl. 23-04

FIG. 1 is a perspective view of a cooling device showing my new design;

[52] U.S. Cl. D23/370; D14/114

FIG. 2 is a rear elevational view thereof;

[58] Field of Search D23/370, 379;
361/687, 695; 165/80.3, 121; 415/220,
223, 208.1, 211.2, 208.2, 213.1, 214.1;
416/247 R; D14/114

FIG. 3 is a bottom plan view thereof;

FIG. 4 is a front elevational view thereof;

FIG. 5 is a right side elevational view thereof;

FIG. 6 is a left side elevation view thereof; and,

FIG. 7 is a top plan view thereof.

[56] References Cited

U.S. PATENT DOCUMENTS

D. 296,585 7/1988 Dodson D23/370

1 Claim, 2 Drawing Sheets

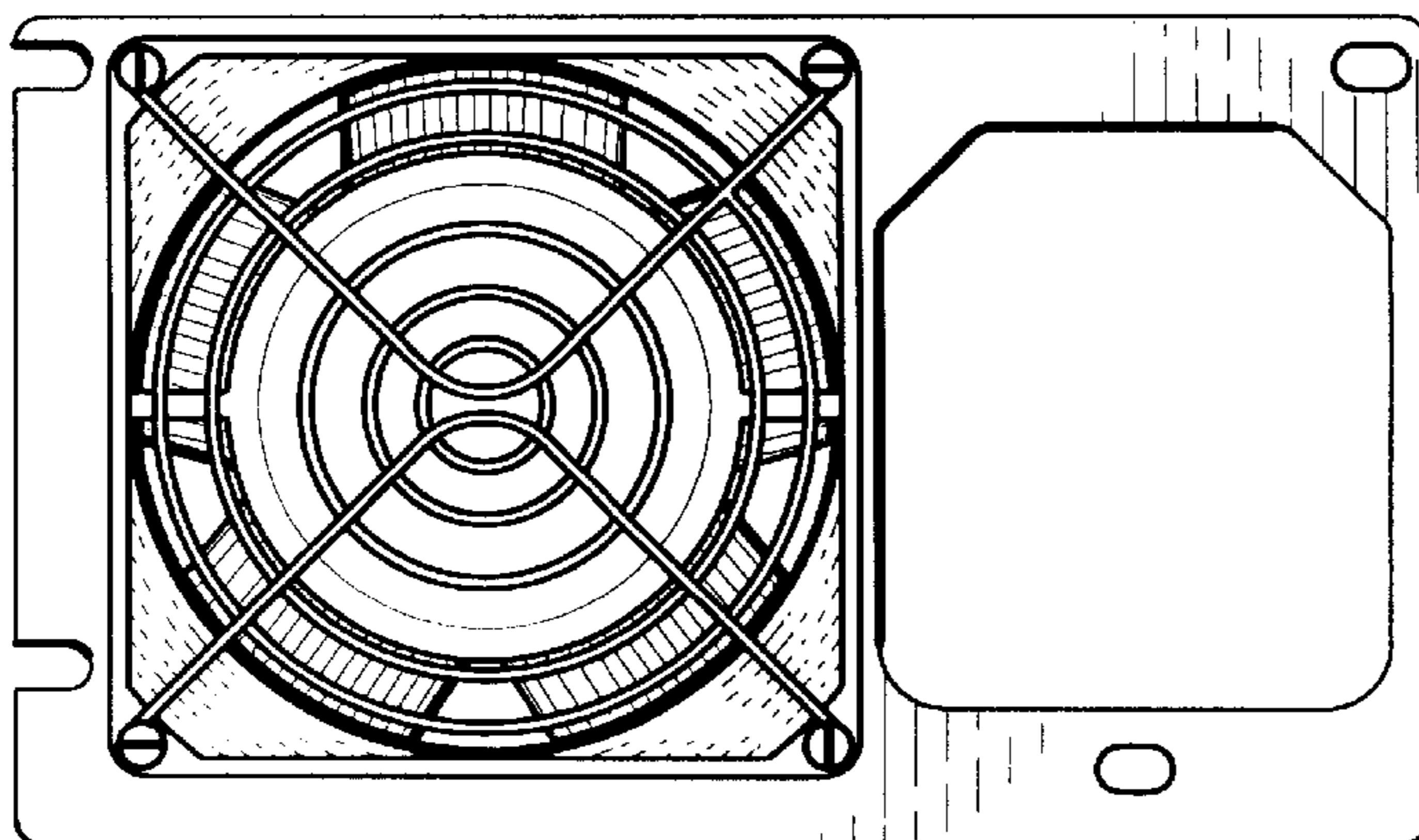
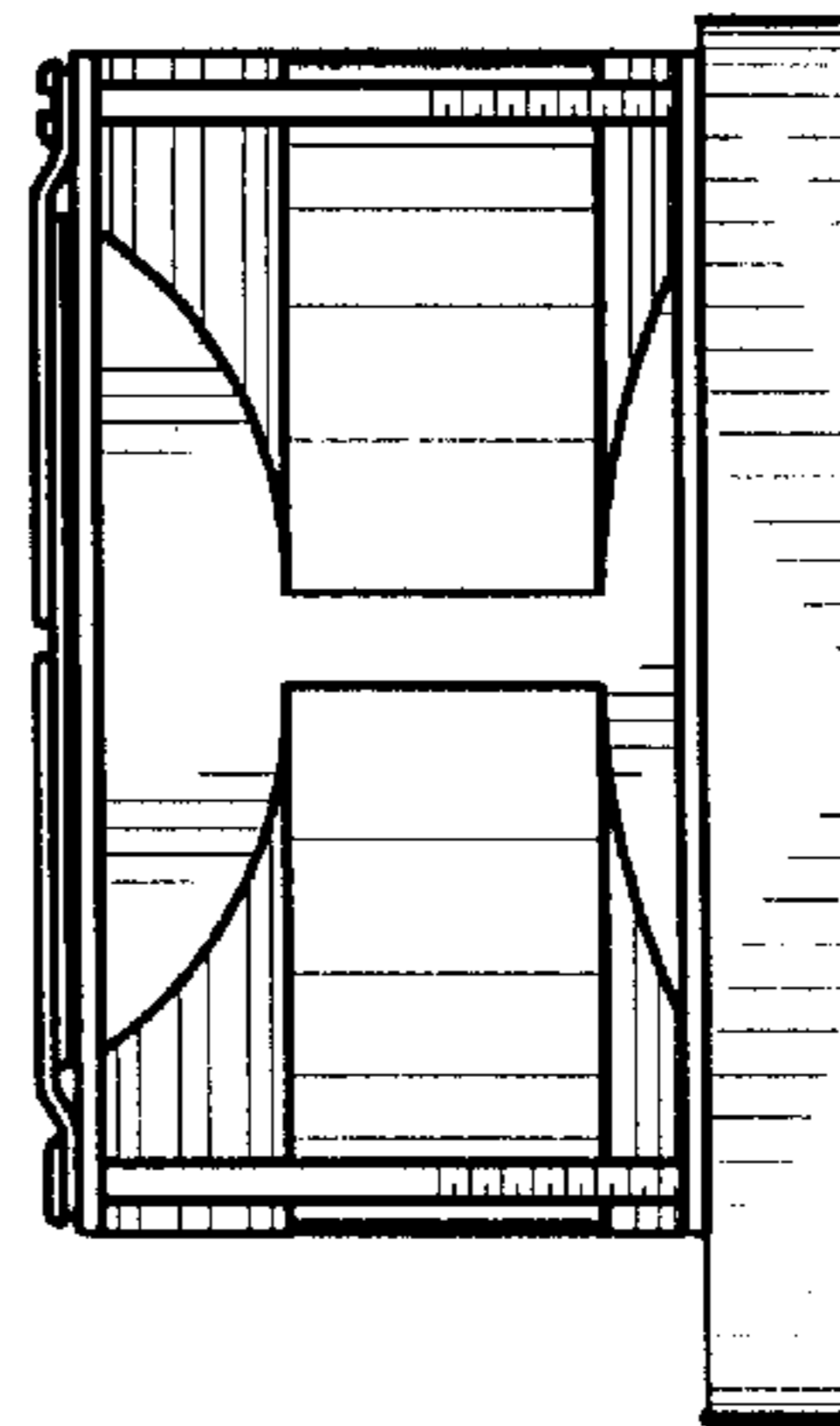
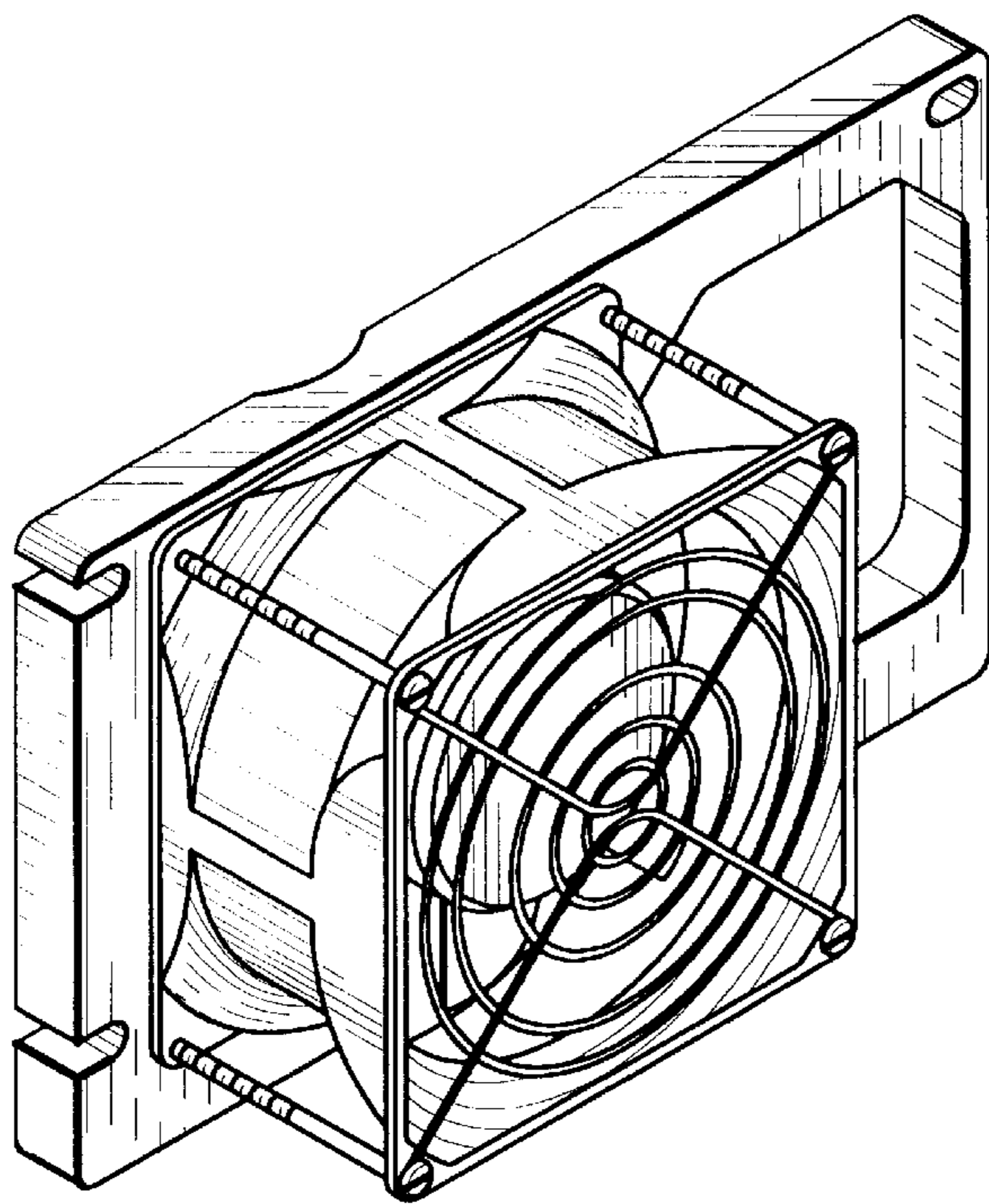


FIG. 1

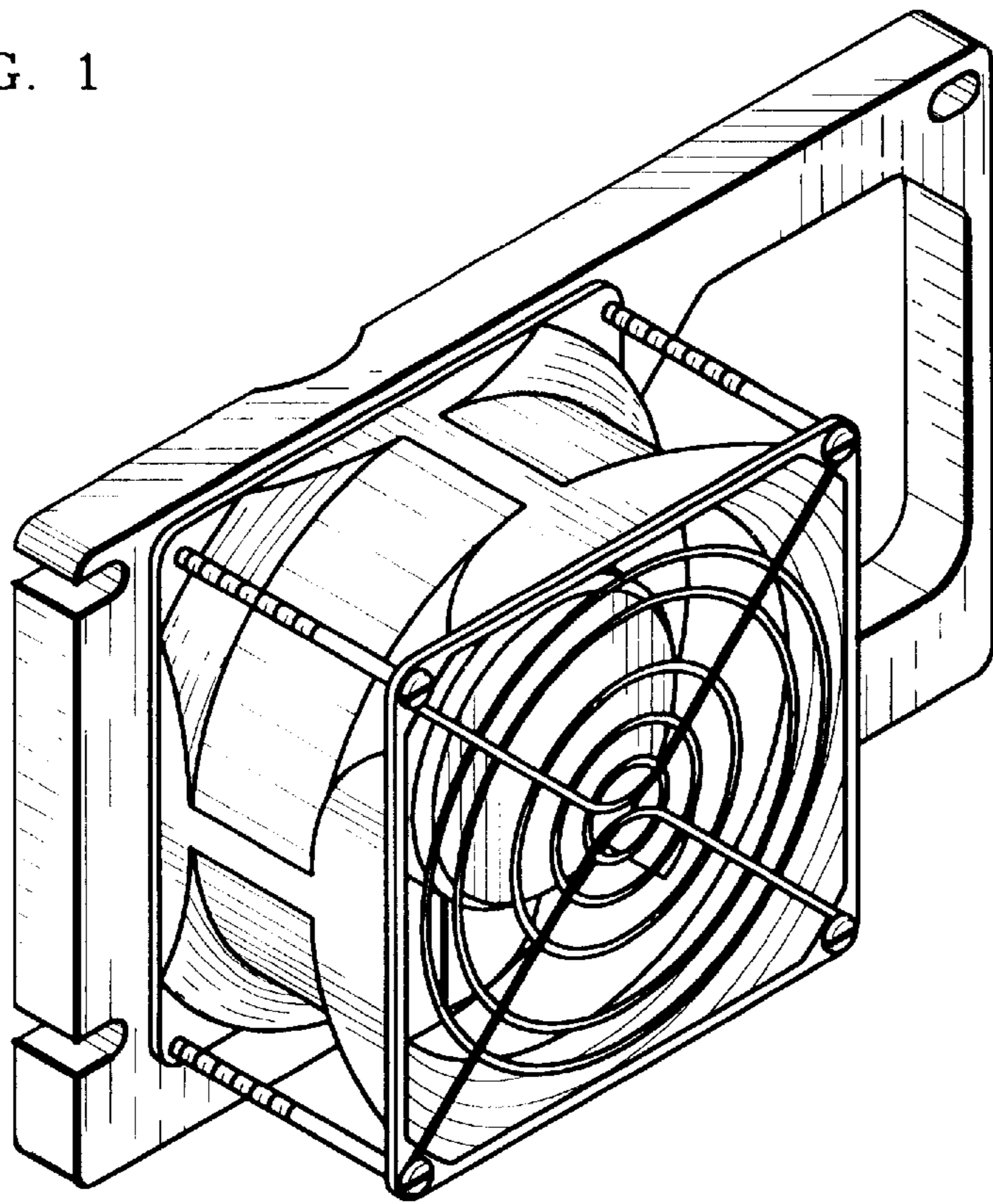


FIG. 2

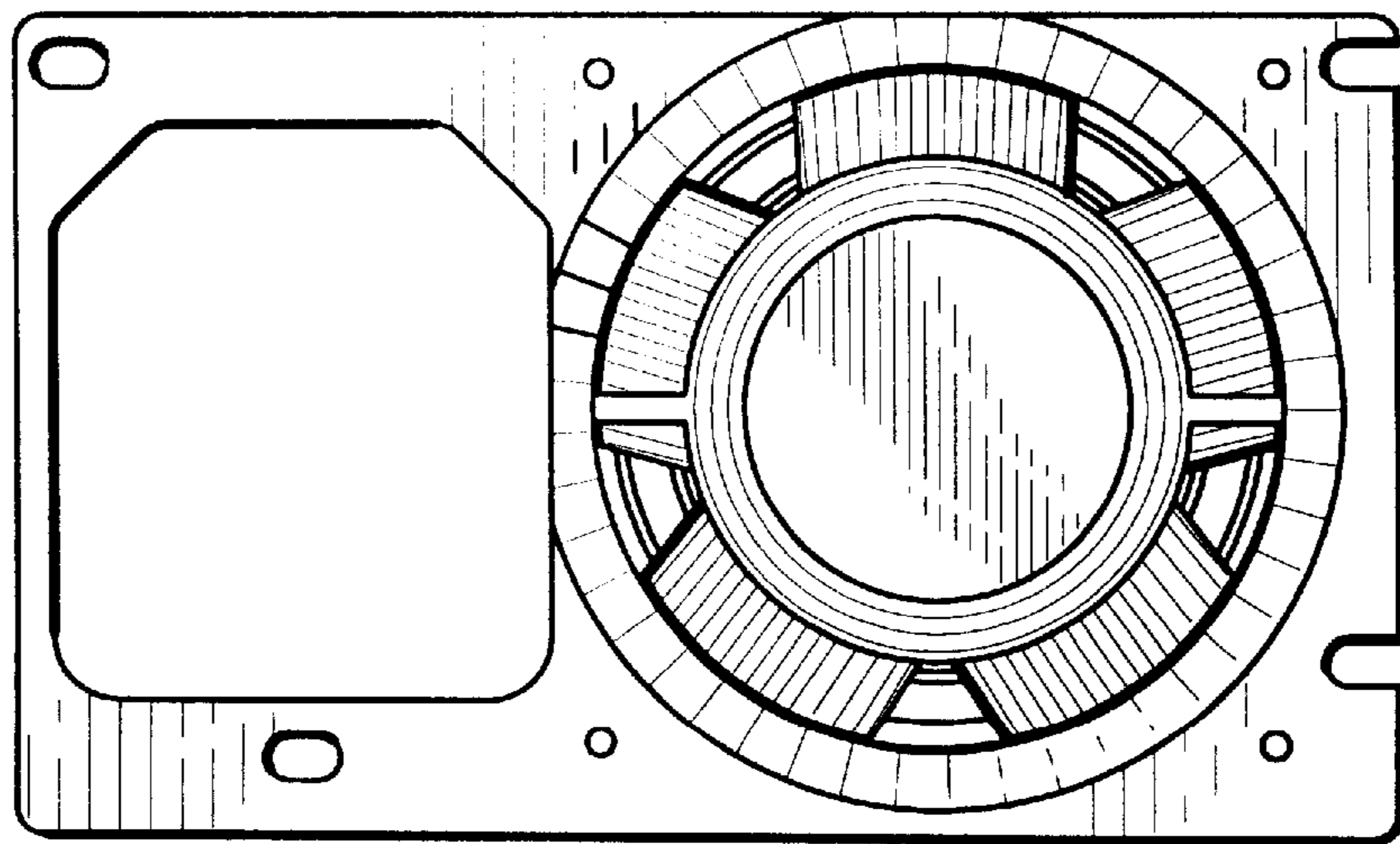


FIG. 3

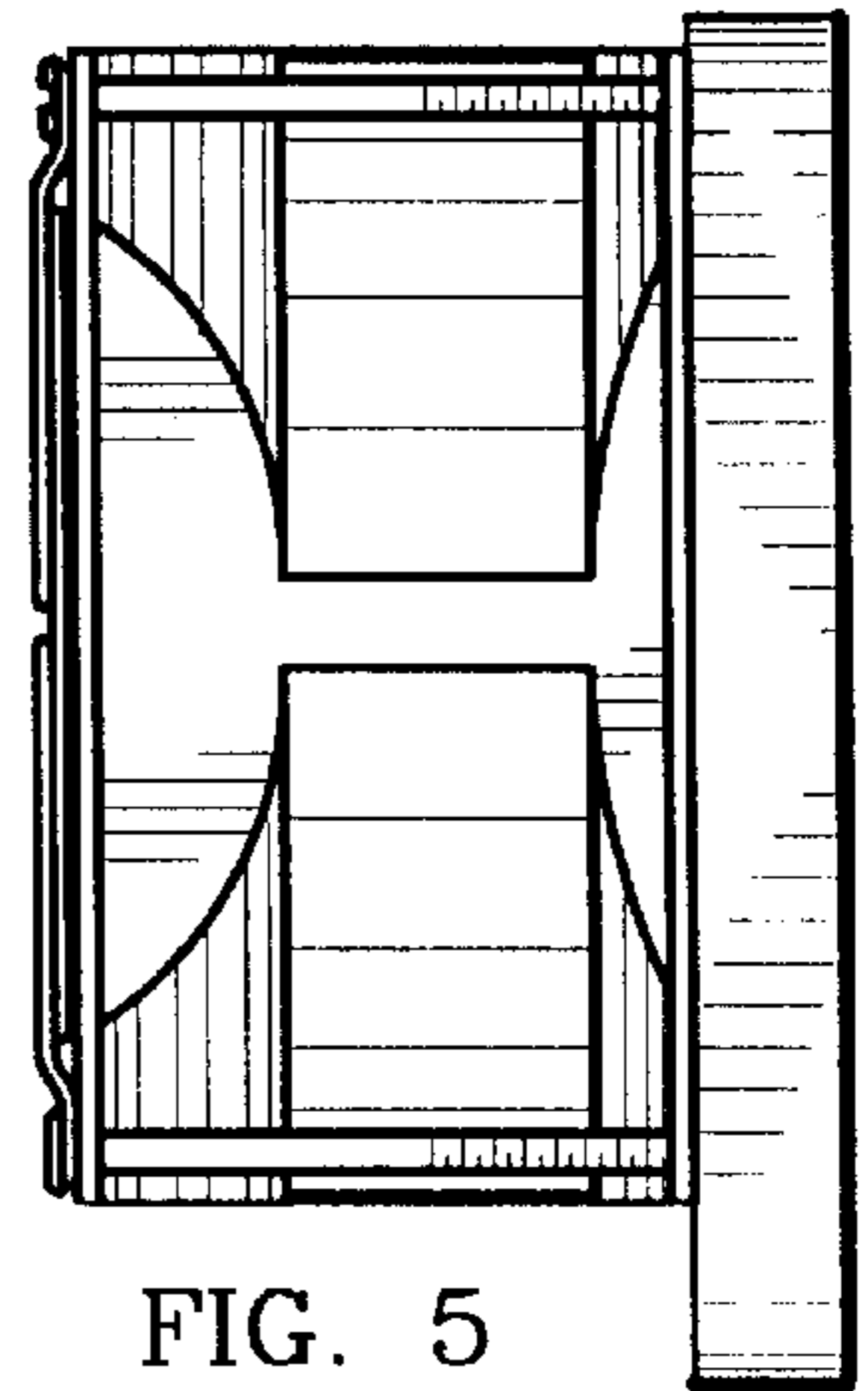
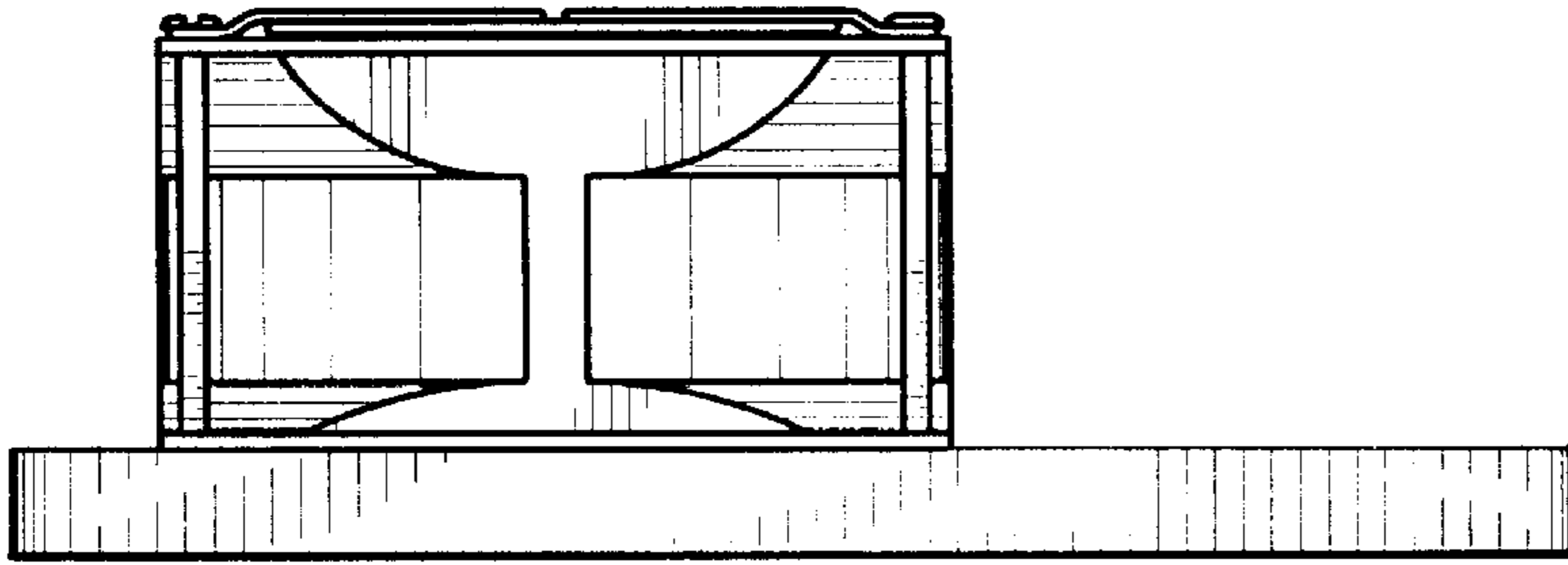


FIG. 5

FIG. 6

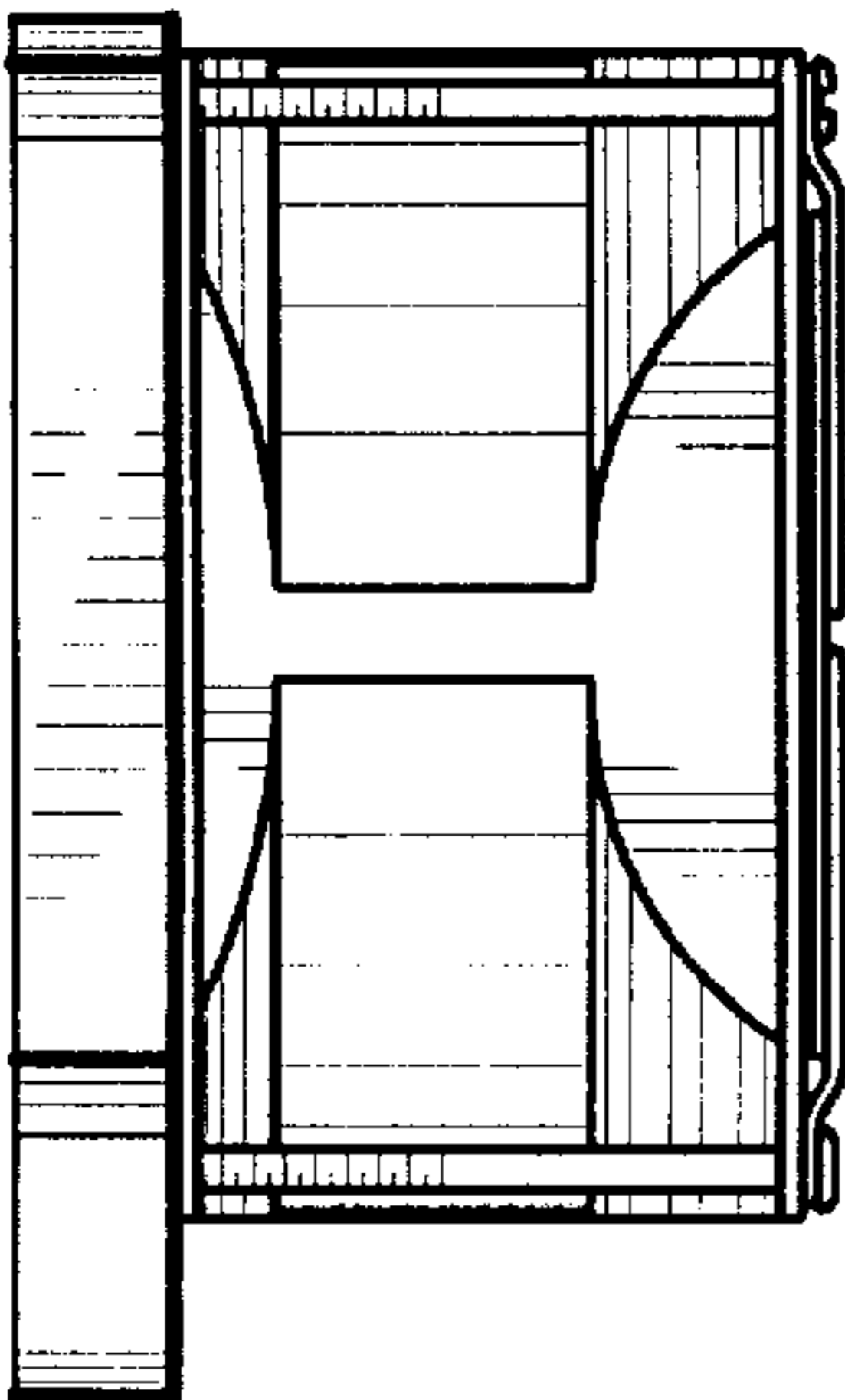


FIG. 4

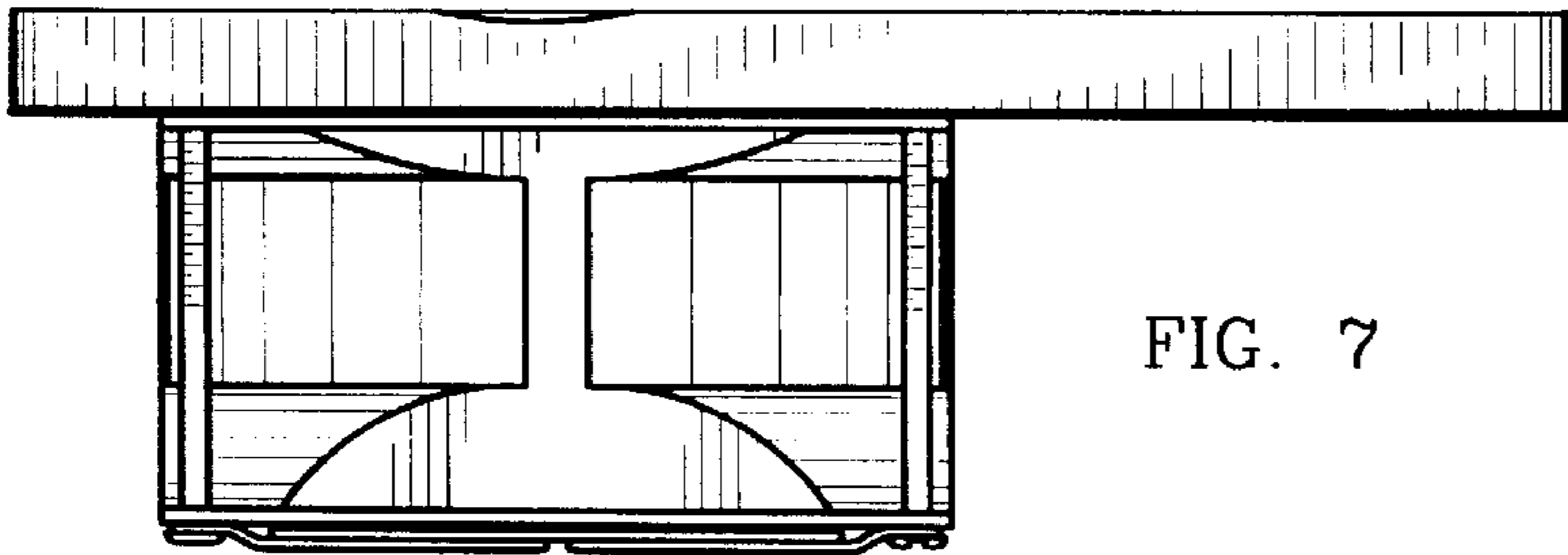
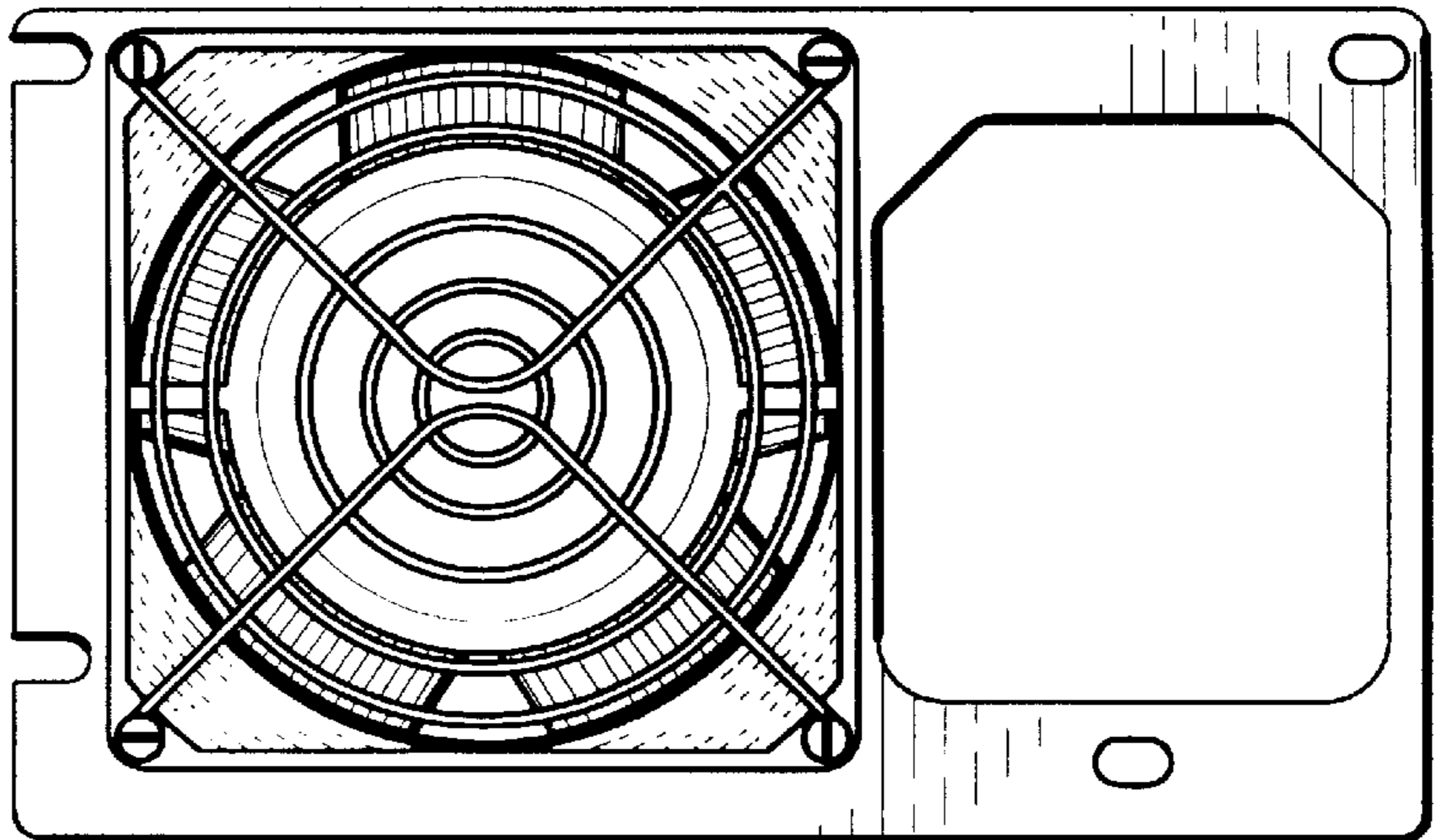


FIG. 7