



US00D424182S

United States Patent [19] Svendsen

[11] **Patent Number: Des. 424,182**

[45] **Date of Patent: ** May 2, 2000**

[54] **TOILET**

[75] Inventor: **Sean W. Svendsen**, Columbus, Ohio

[73] Assignee: **American Standard Inc.**, Piscataway, N.J.

[**] Term: **14 Years**

[21] Appl. No.: **29/103,775**

[22] Filed: **Apr. 21, 1999**

D. 352,996	11/1994	Sim	D23/301
D. 387,858	12/1997	McKeone	D23/301
D. 392,075	3/1998	Holt	D30/129
D. 396,272	7/1998	Garza	D23/301
D. 407,150	3/1999	Sim	D23/301
D. 407,151	3/1999	Chiu	D23/301
D. 409,734	5/1999	Sim	D23/301

Primary Examiner—Eric Watterson

Related U.S. Application Data

[63] Continuation-in-part of application No. 29/086,554, Apr. 15, 1998, Pat. No. Des. 409,735.

[51] **LOC (7) Cl.** **23-02**

[52] **U.S. Cl.** **D23/301**

[58] **Field of Search** D23/285-301;
4/353, 421, 424, 428, 430, 604, 300, DIG. 2

[57] CLAIM

The ornamental design for a toilet, as shown and described.

DESCRIPTION

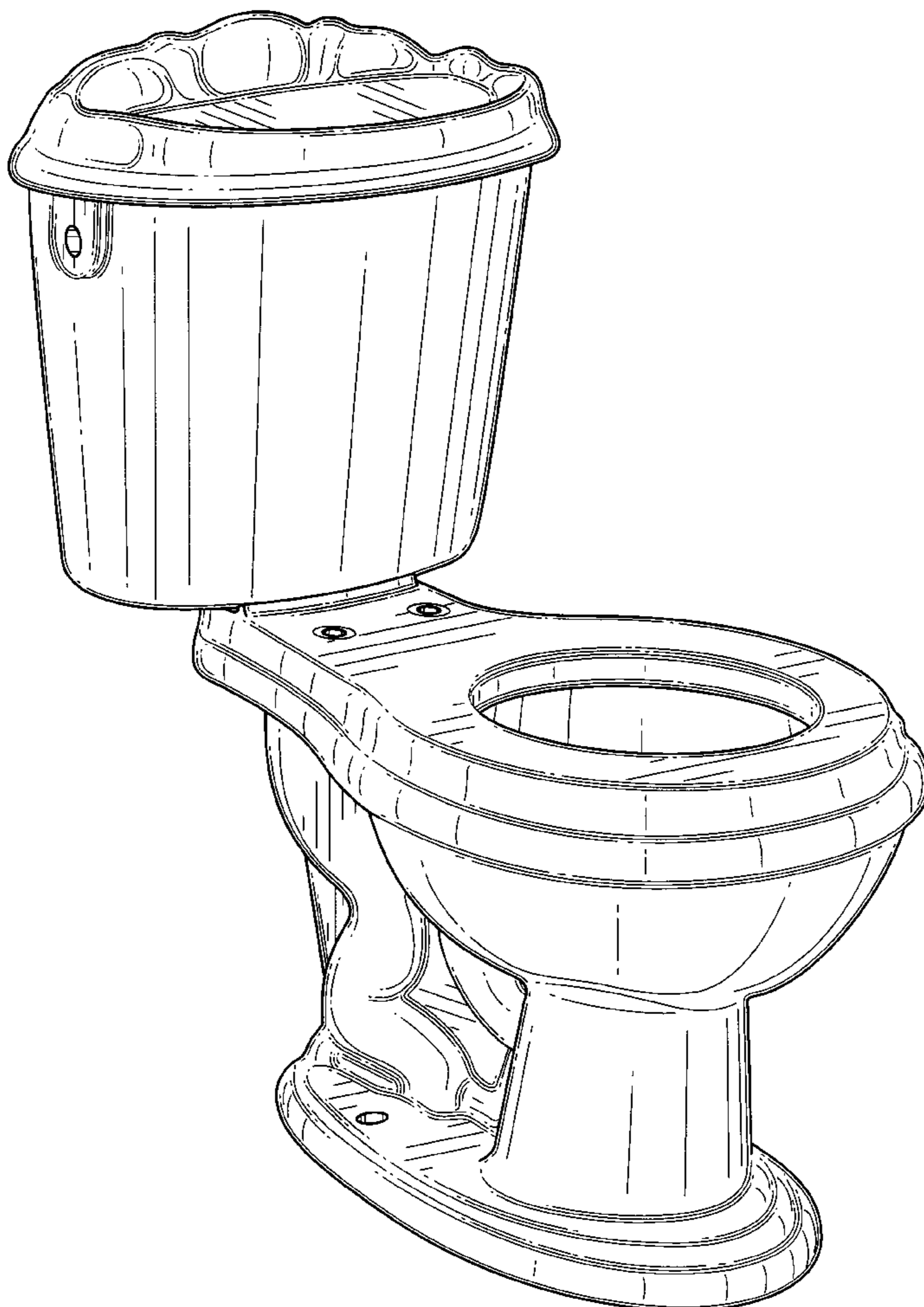
FIG. 1 is a front, top and left side perspective view of a toilet showing my new design;
 FIG. 2 is a front elevational view thereof;
 FIG. 3 is a back elevational view thereof;
 FIG. 4 is a left side elevational view thereof, the right side view being a mirror image of the left side.
 FIG. 5 is a top plan view thereof; and,
 FIG. 6 is a bottom plan view thereof.

[56] References Cited

U.S. PATENT DOCUMENTS

D. 261,171 10/1981 Cuttriss D23/301

1 Claim, 6 Drawing Sheets



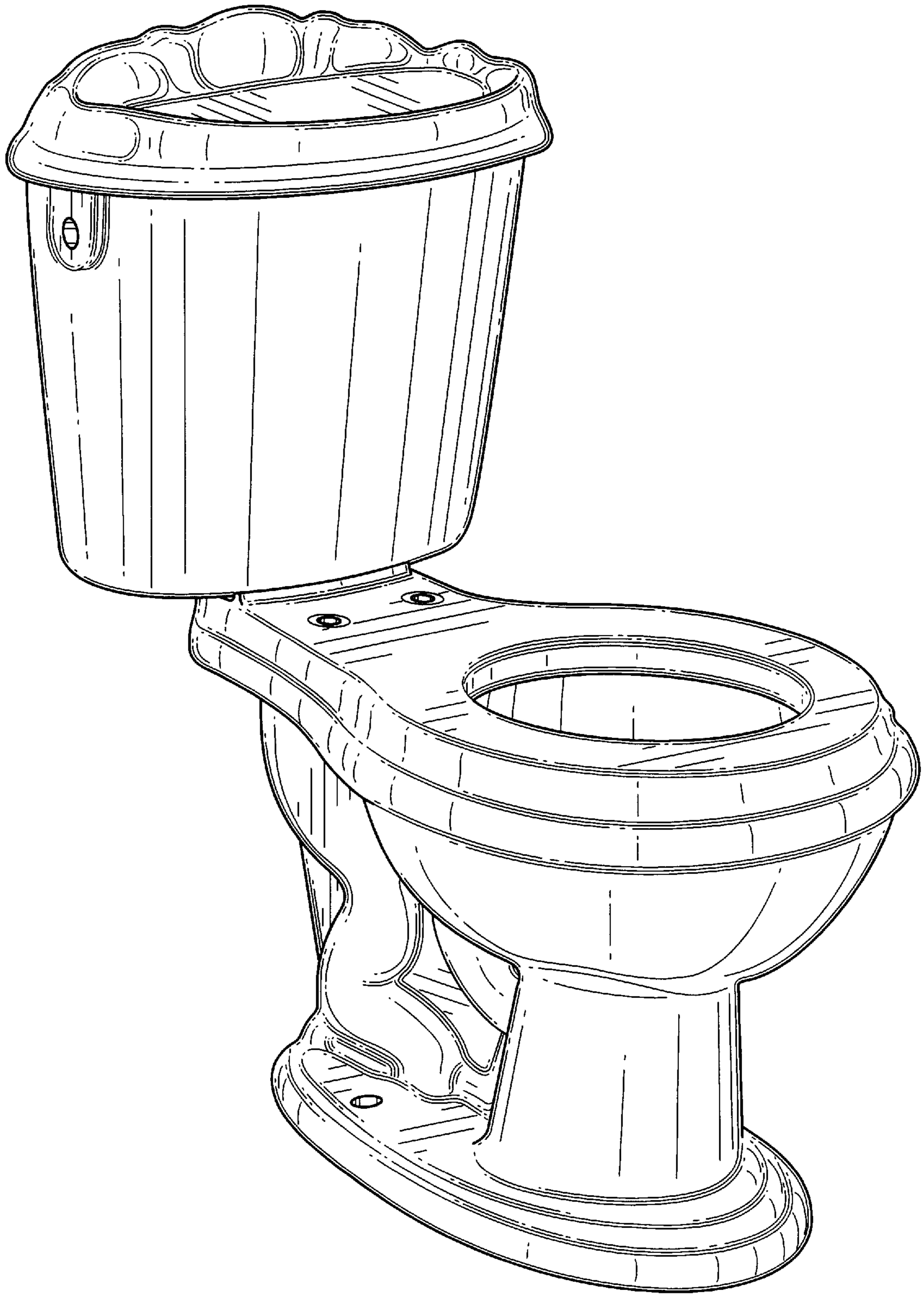


FIG. 1

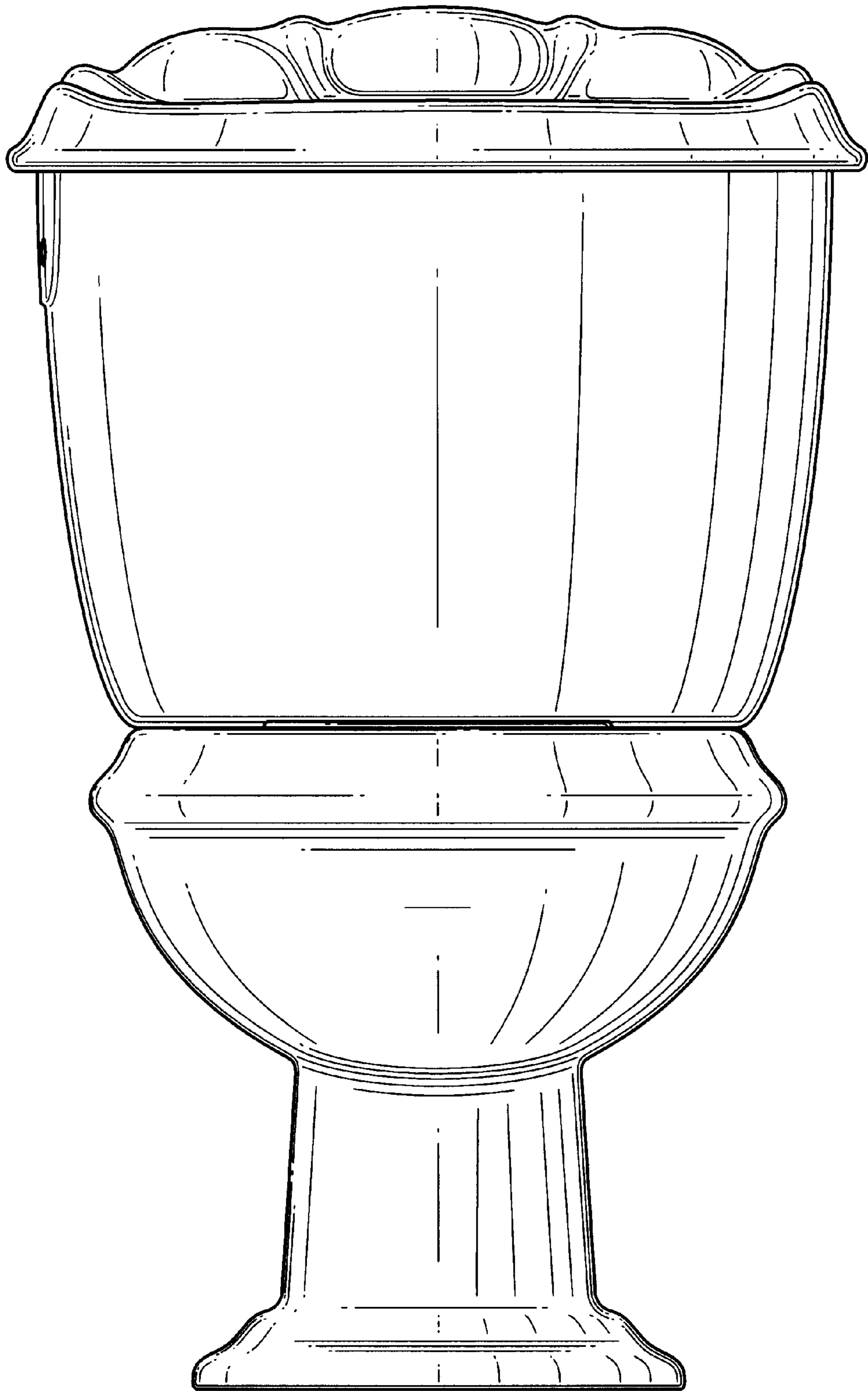


FIG. 2

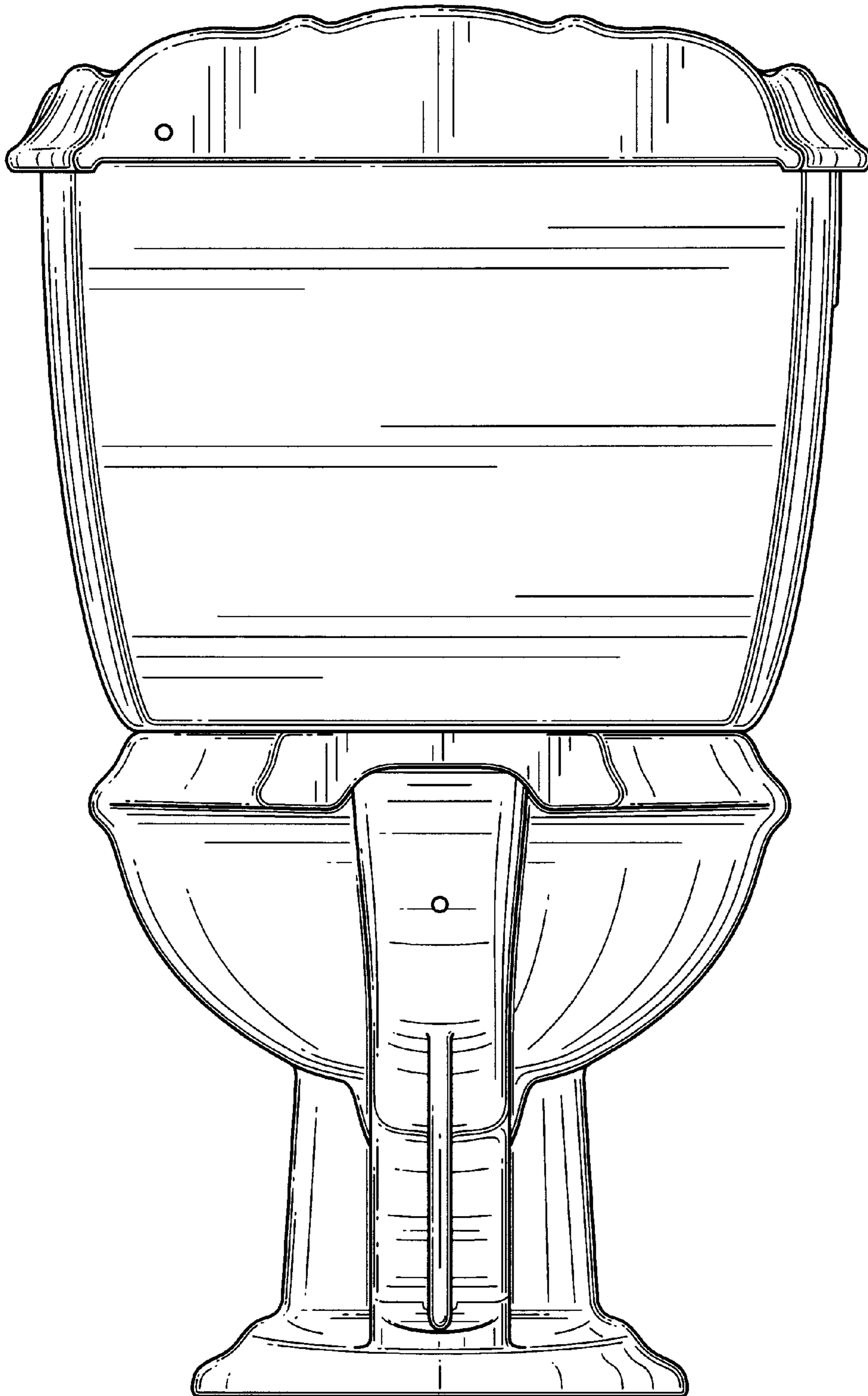


FIG. 3

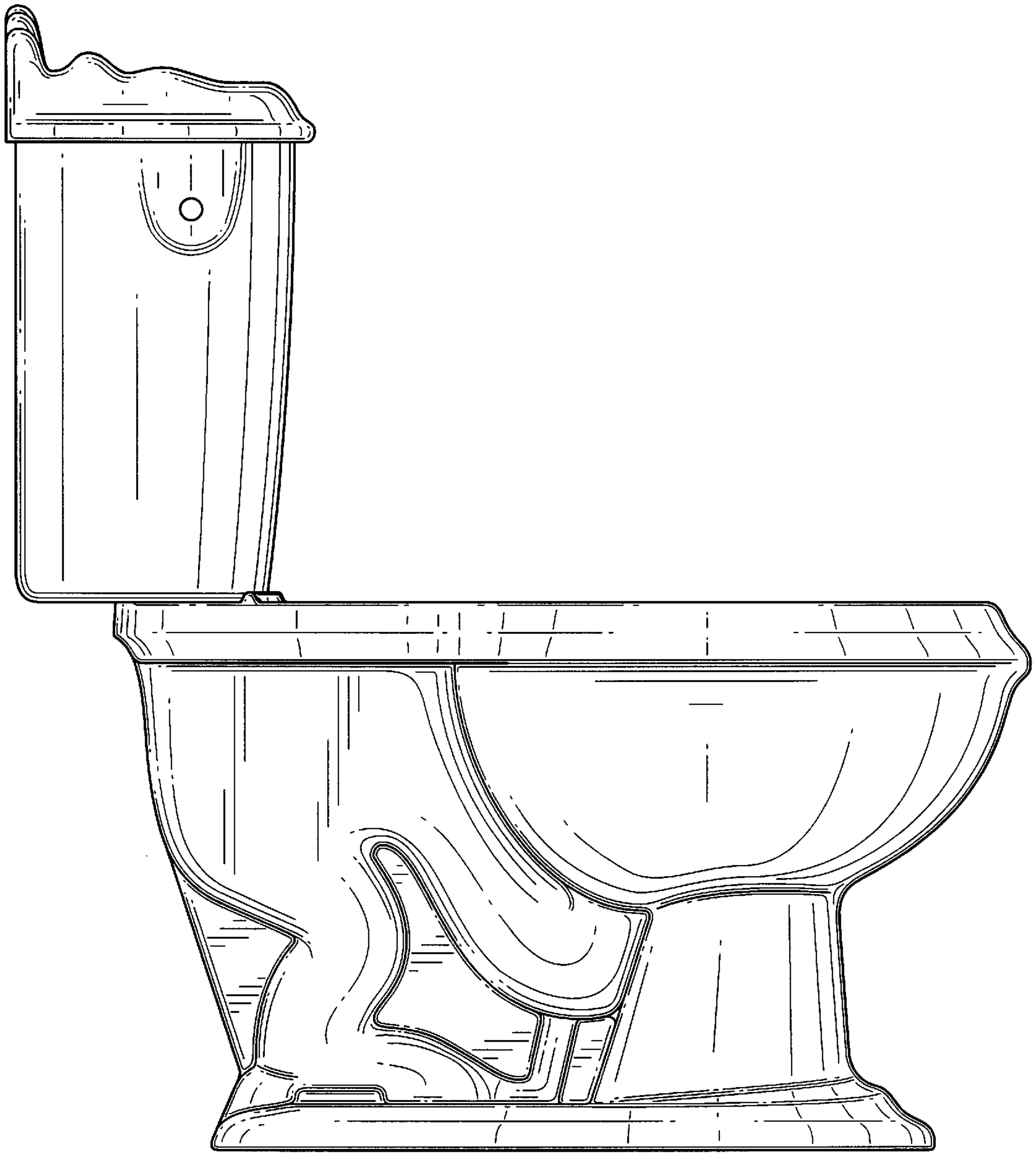


FIG. 4

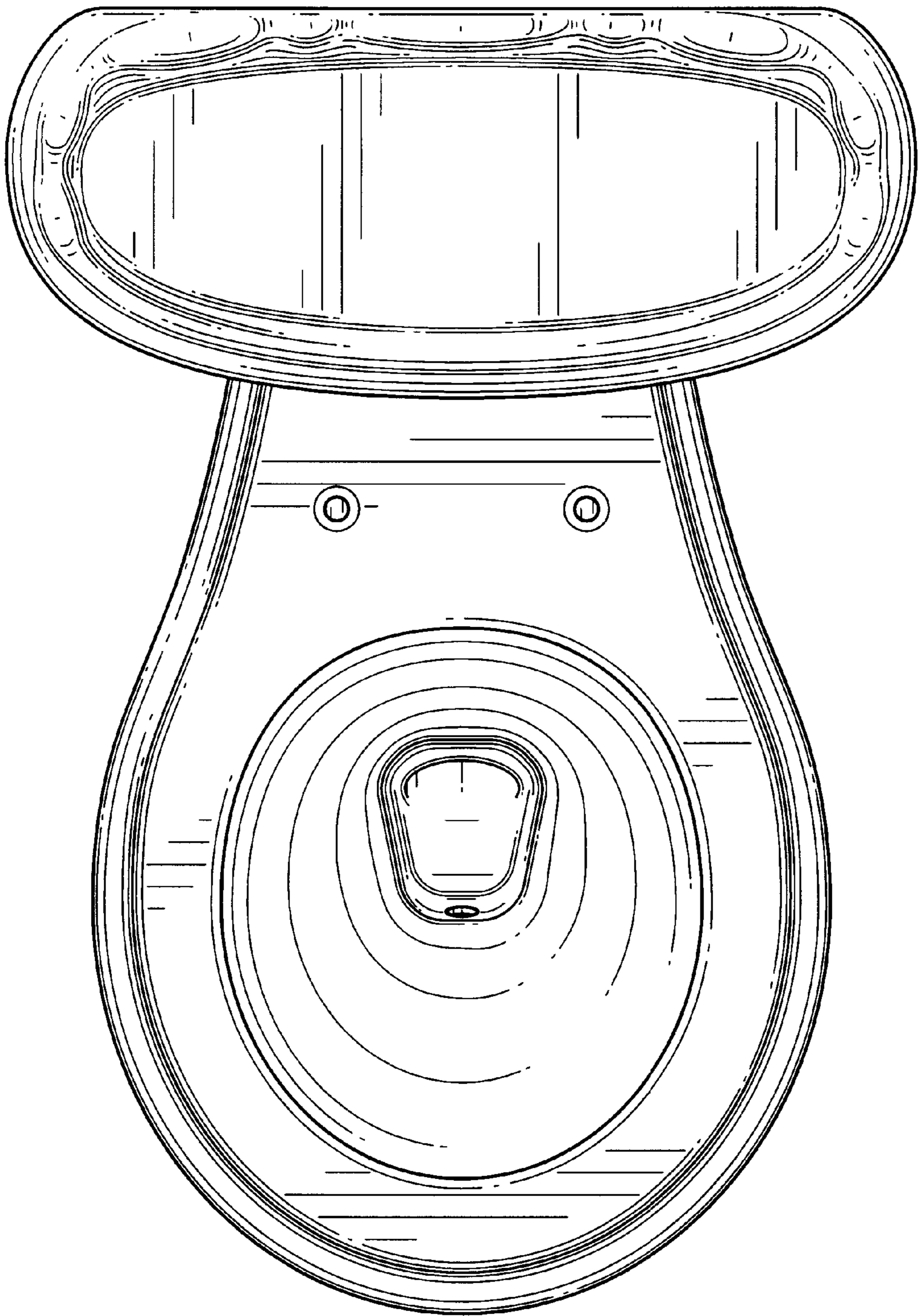


FIG. 5

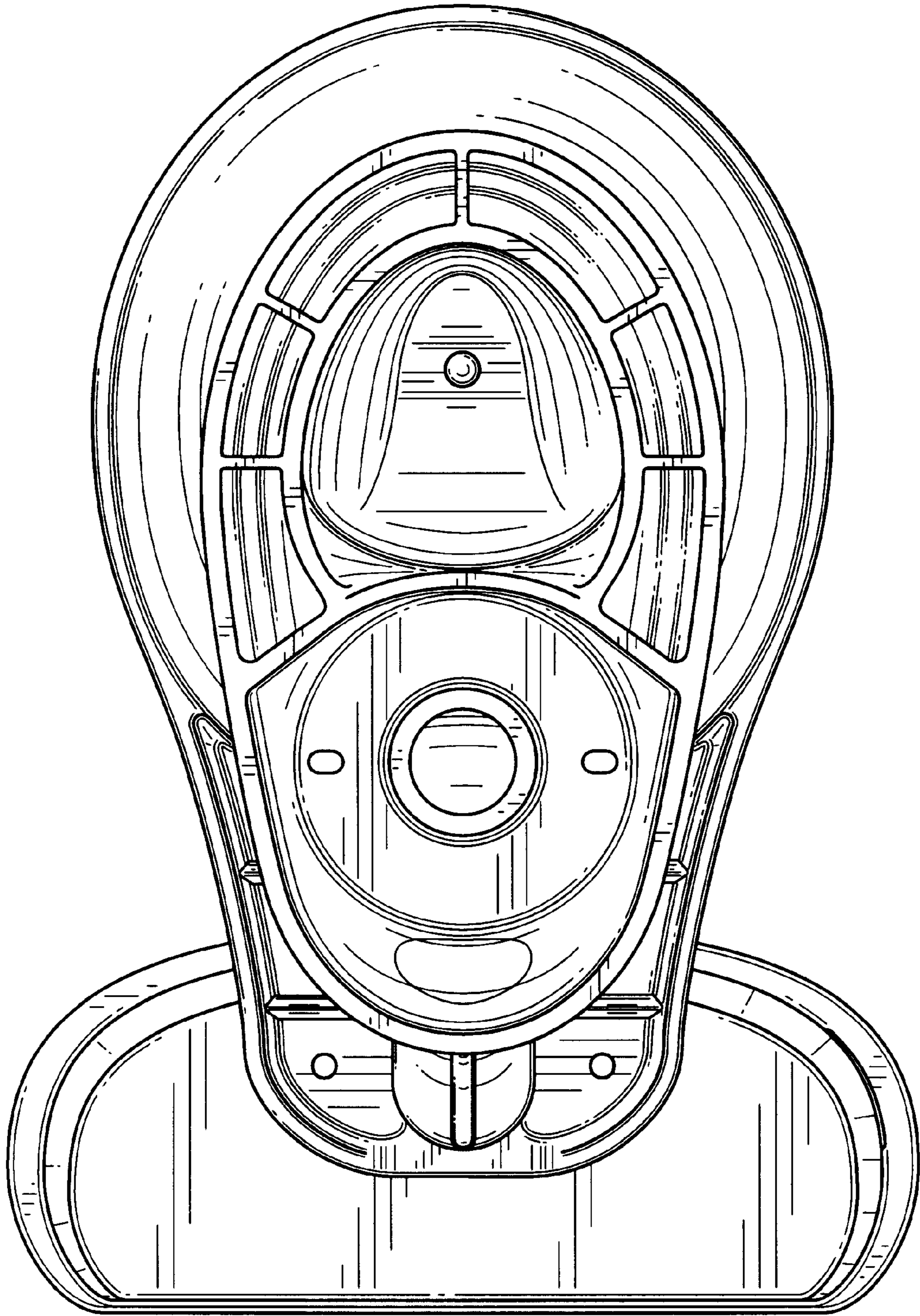


FIG. 6