



US00D424181S

United States Patent [19] Caplow

[11] **Patent Number: Des. 424,181**

[45] **Date of Patent: ** May 2, 2000**

[54] **WATER CLOSET**

D. 390,930 2/1998 Slothower D23/295
D. 392,725 3/1998 Garza D23/295

[75] Inventor: **Bradley R. Caplow**, Sherman Oaks, Calif.

Primary Examiner—Eric Watterson
Attorney, Agent, or Firm—Quarles & Brady LLP

[73] Assignee: **Kallista, Inc.**, Kohler, Wis.

[57] **CLAIM**

[**] Term: **14 Years**

The ornamental design for a water closet, as shown and described.

[21] Appl. No.: **29/103,156**

[22] Filed: **Apr. 9, 1999**

DESCRIPTION

[51] **LOC (7) Cl.** **23-02**

[52] **U.S. Cl.** **D23/301**

[58] **Field of Search** D23/295-301;
4/306, 329-332, 353, 420-448, DIG. 15

FIG. 1 is a right, top, front perspective view of a water closet embodying my new design;
FIG. 2 is a front elevational view thereof;
FIG. 3 is a left side elevational view thereof;
FIG. 4 is a rear elevational view thereof;
FIG. 5 is a right side elevational view thereof;
FIG. 6 is a top plan view thereof; and,
FIG. 7 is a bottom plan view thereof.

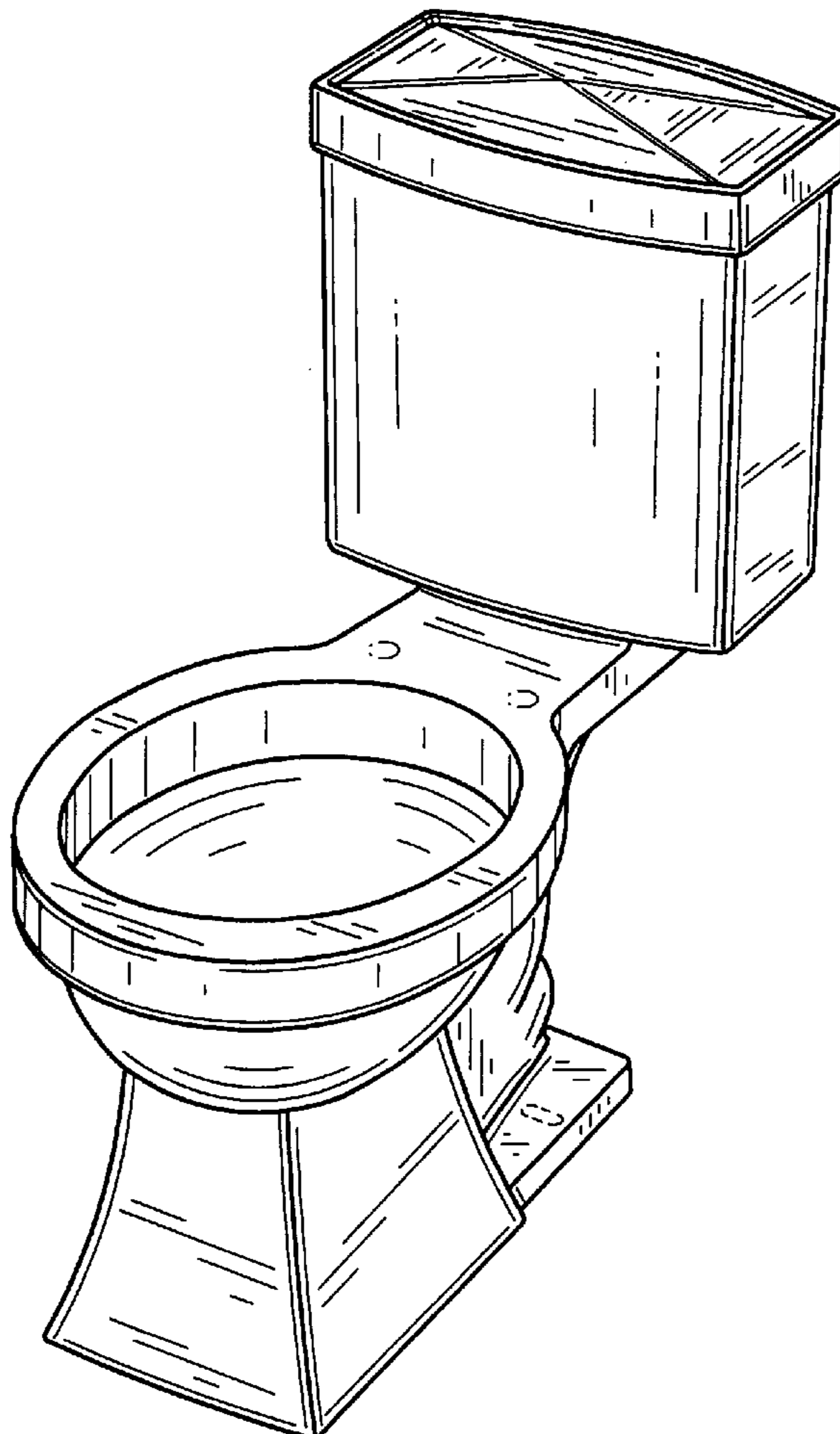
[56] **References Cited**

U.S. PATENT DOCUMENTS

- D. 314,236 1/1991 Ament D23/301
- D. 323,880 2/1992 McKeone et al. D23/295
- D. 370,720 6/1996 Kaiser D23/301
- D. 379,405 5/1997 Shillington D23/295
- D. 387,858 12/1997 McKeone D23/301

The dotted line representations of holes in FIG. 1, 3, and 6, and of mounting structure in FIG. 7, are for the purpose of illustration only, and form no part of the claimed design.

1 Claim, 3 Drawing Sheets



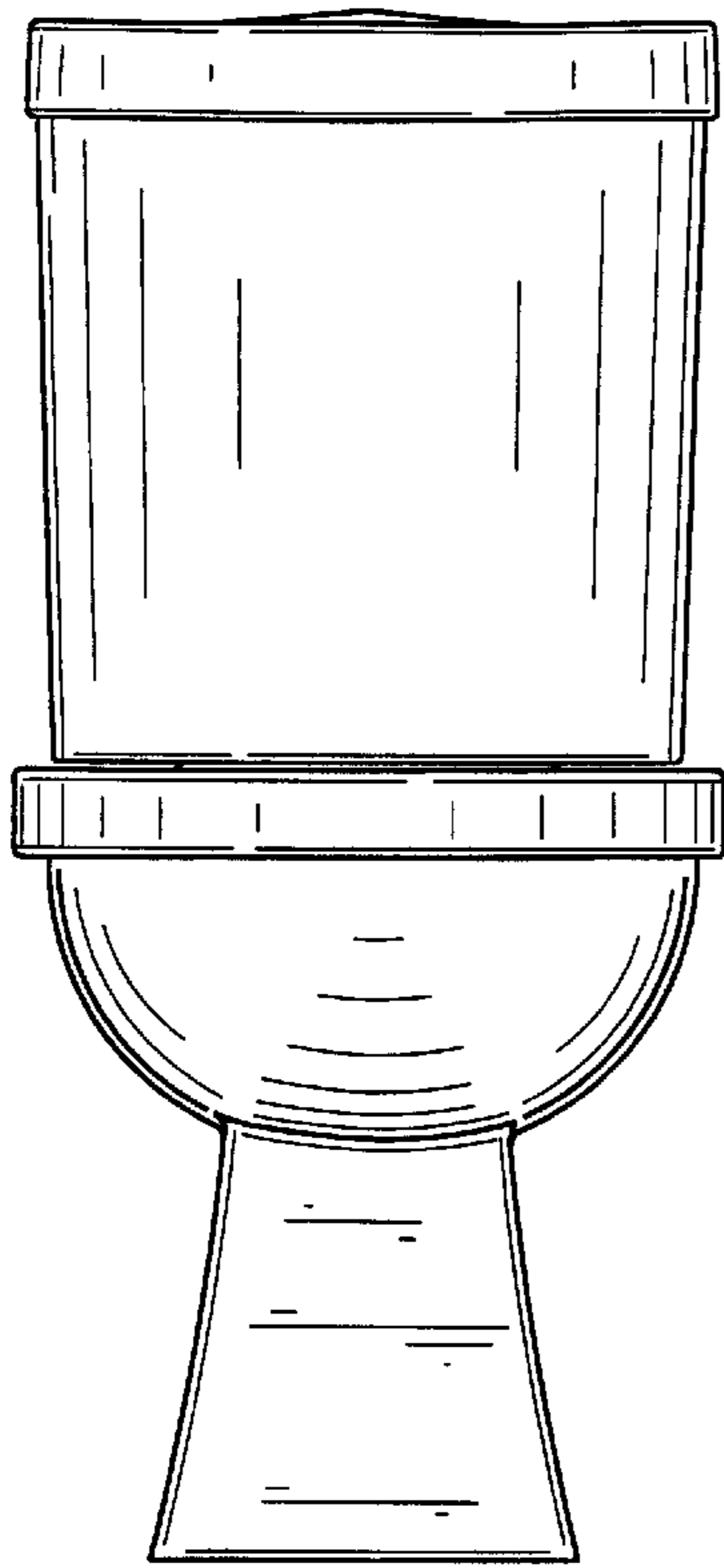


FIG. 2

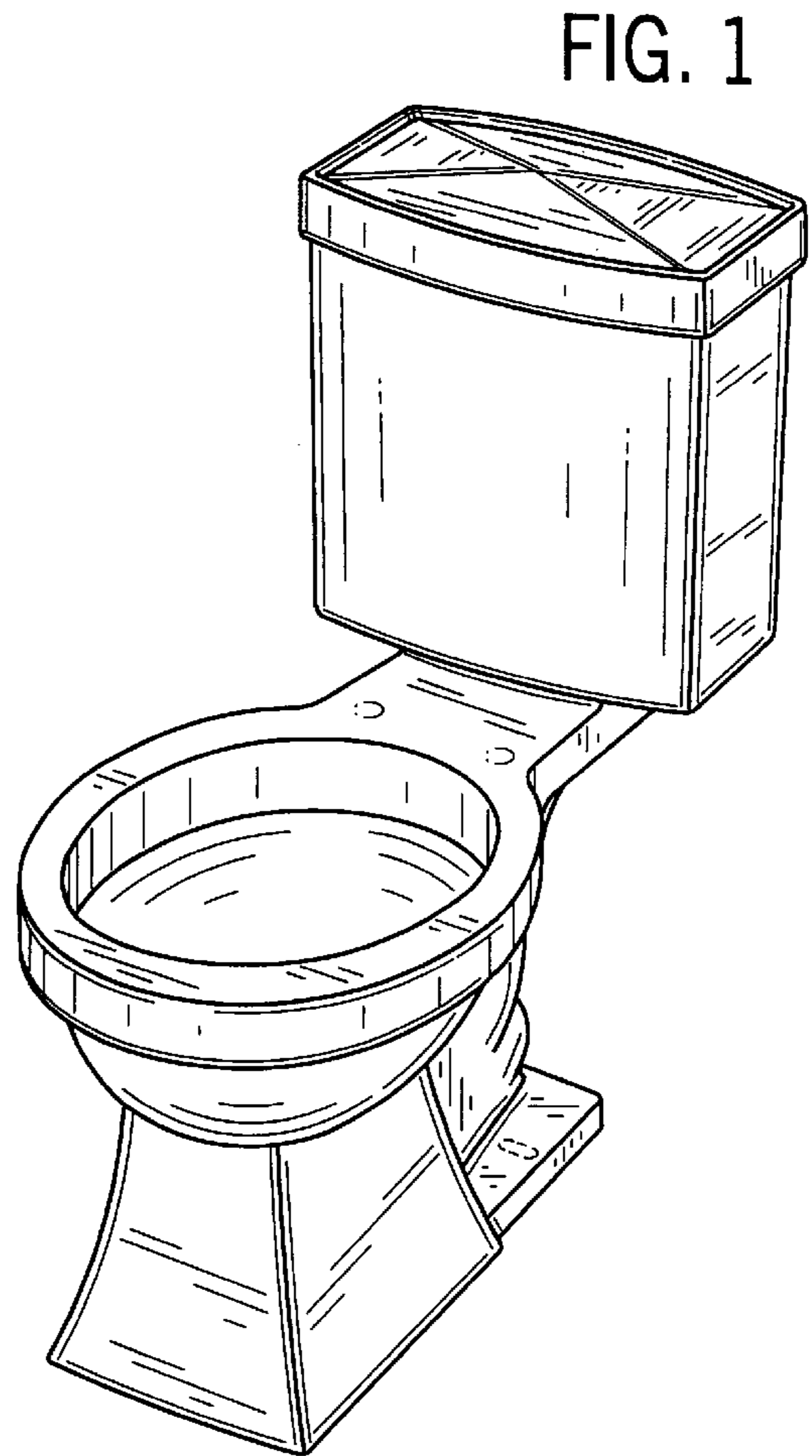


FIG. 1

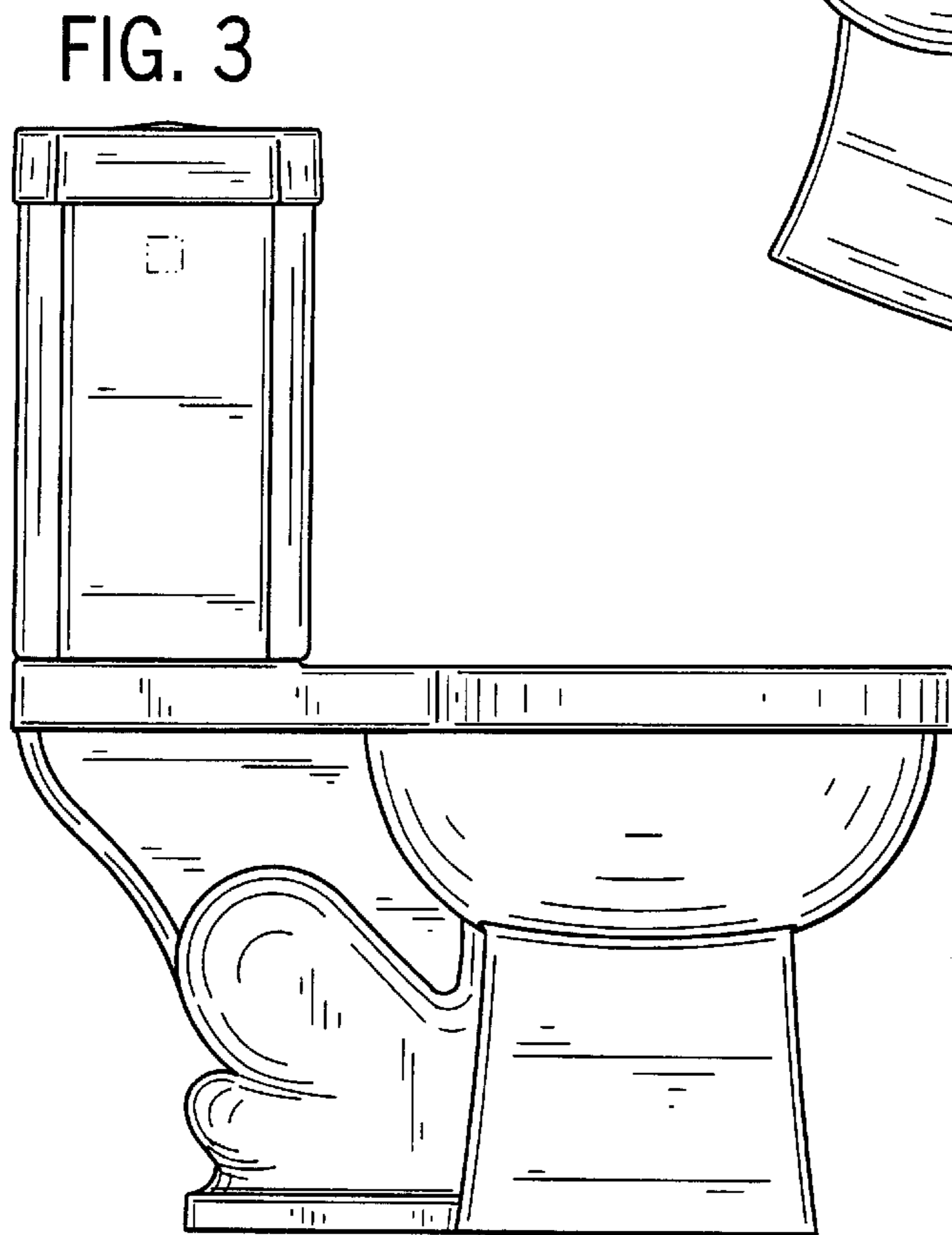


FIG. 3

FIG. 4

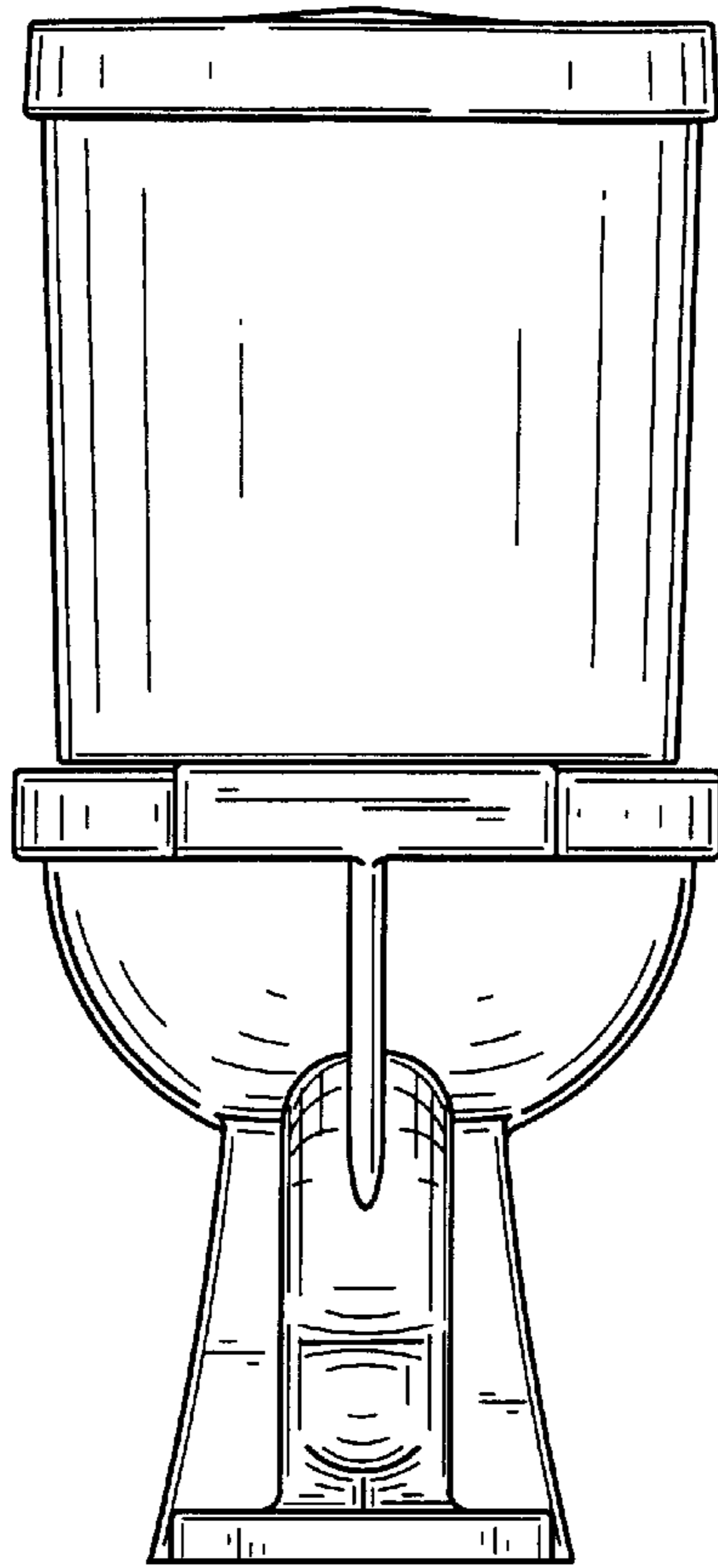


FIG. 5

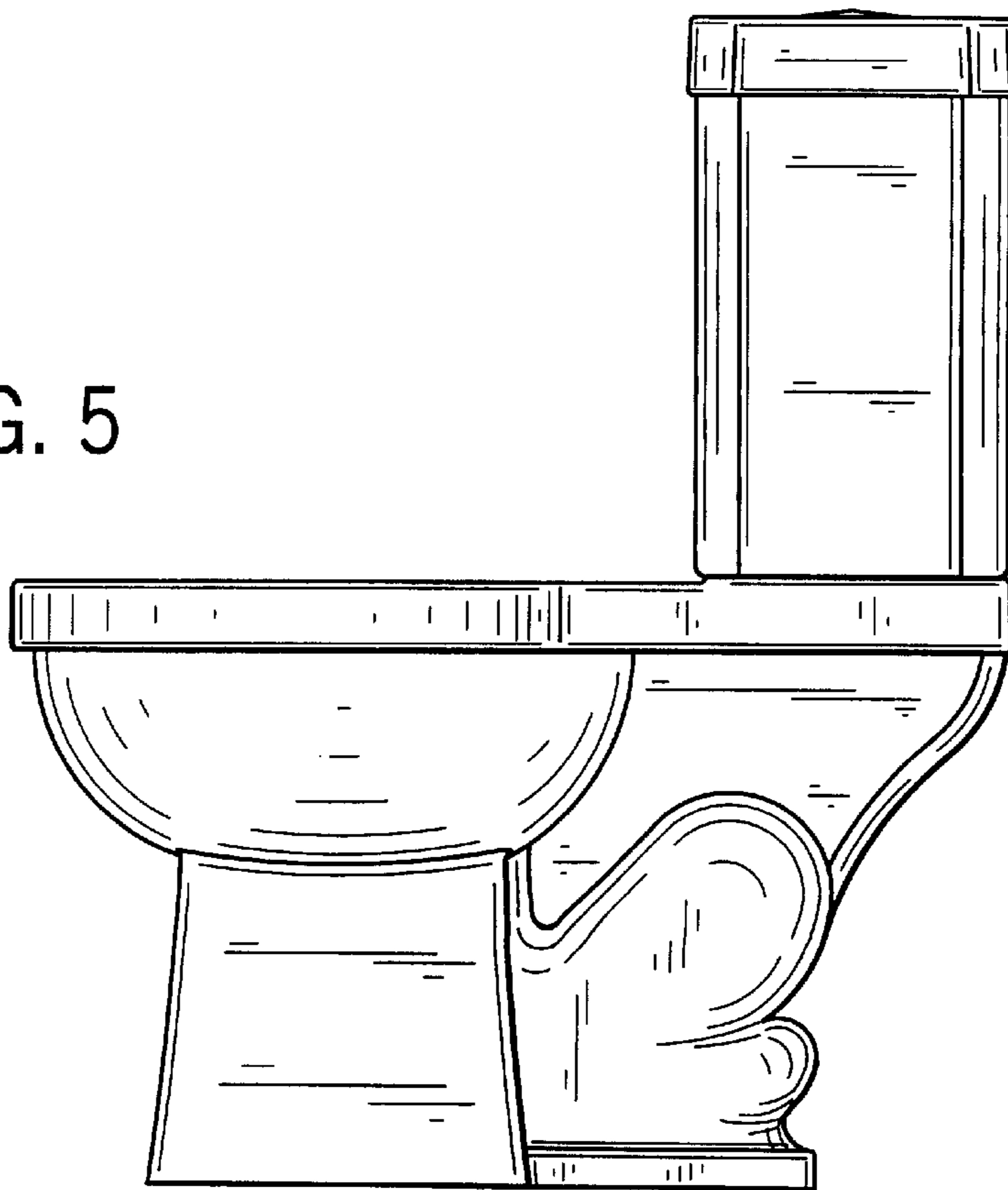


FIG. 6

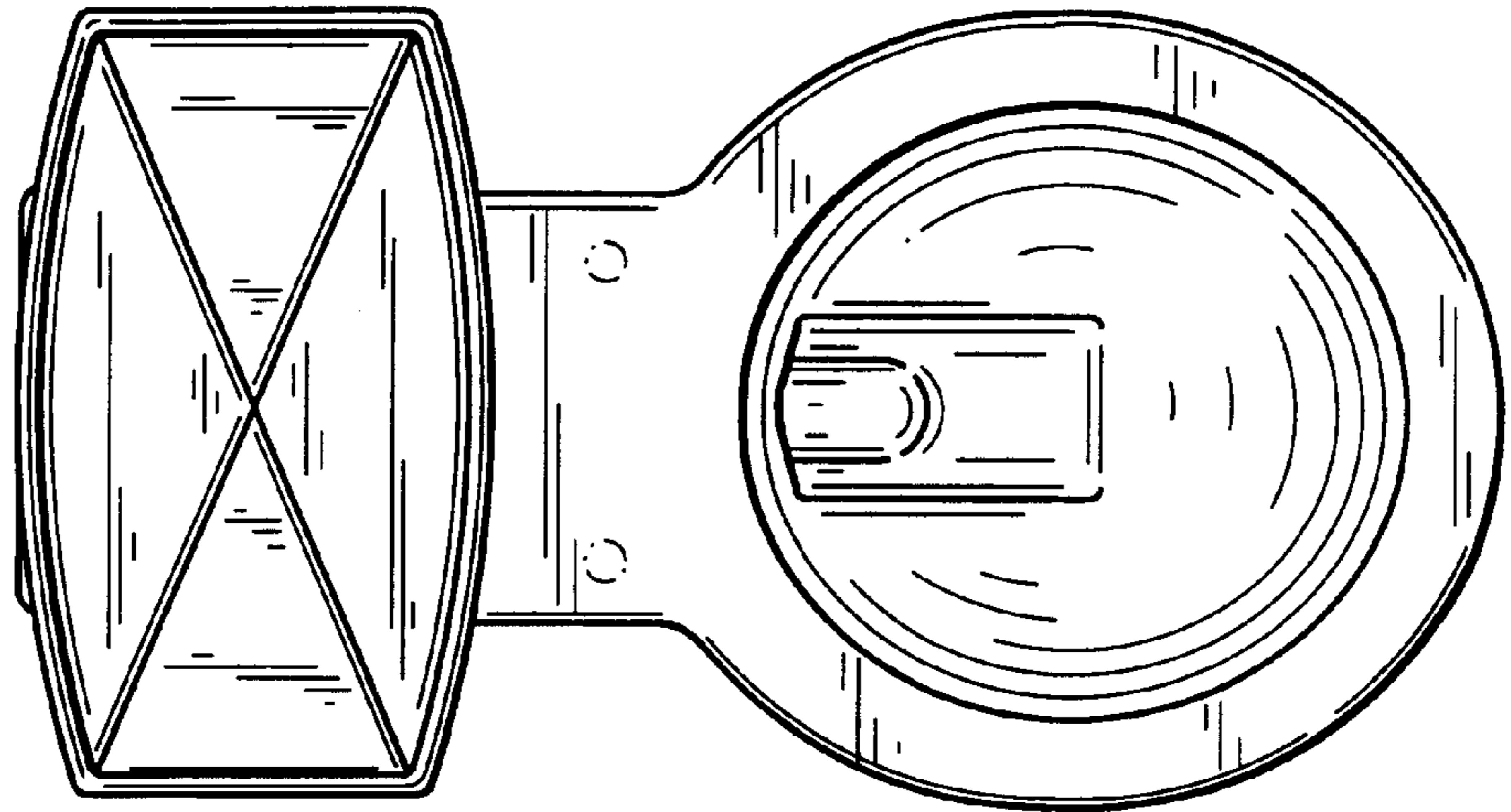


FIG. 7

