



US00D424177S

United States Patent [19]
Starck

[11] **Patent Number: Des. 424,177**

[45] **Date of Patent: ** May 2, 2000**

[54] **SHOWER INSTALLATION WITH FIXED AND MOVABLE SHOWER HEADS**

[75] Inventor: **Philippe Starck**, Issy-Les-Moulineaux, France

[73] Assignee: **Hans Grohe GmbH & Co. KG**, Schiltach, Germany

[**] Term: **14 Years**

[21] Appl. No.: **29/089,169**

[22] Filed: **Jun. 9, 1998**

[30] **Foreign Application Priority Data**

Dec. 10, 1997 [DE] Germany 9711535

[51] **LOC (7) Cl.** **23-01**

[52] **U.S. Cl.** **D23/283**

[58] **Field of Search** D23/275-283,
D23/303-311, 596, 600, 604, 605, 602,
607, 610, 612, 614; 248/75

[56] **References Cited**

U.S. PATENT DOCUMENTS

D. 256,610 8/1980 Belkir D23/283
D. 284,688 7/1986 Baus D23/283

D. 291,912 9/1987 Fabian D23/283
D. 379,218 5/1997 Neufeld et al. D23/304
3,979,096 9/1976 Zieger 248/75
4,174,822 11/1979 Larsson 248/75
4,457,031 7/1984 Moore 4/614
5,022,103 6/1991 Faist 4/596
5,408,709 4/1995 Lockwood 4/605
5,499,767 3/1996 Morand 239/383

Primary Examiner—Louis S. Zarfaz
Assistant Examiner—Eric Watterson
Attorney, Agent, or Firm—Duane, Morris & Heckscher LLP

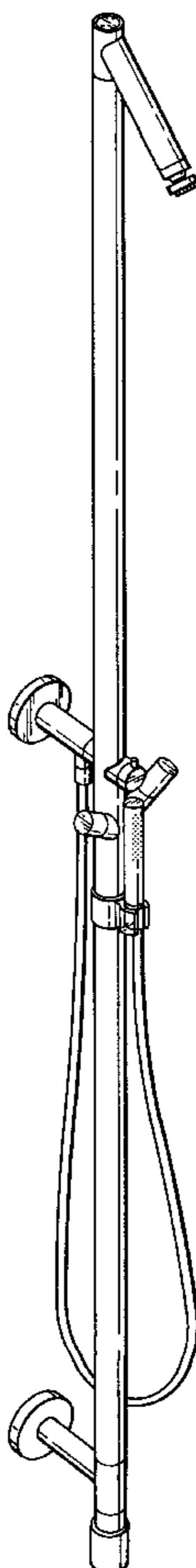
[57] **CLAIM**

The ornamental design for a shower installation with fixed and movable shower heads, as shown and described.

DESCRIPTION

FIG. 1 is a side perspective view of a shower installation with fixed and movable shower heads showing my new design;
FIG. 2 is a front elevation view thereof;
FIG. 3 is a side elevation view thereof;
FIG. 4 is a rear elevation view thereof;
FIG. 5 is an opposite side elevation view thereof;
FIG. 6 is a top plan view thereof; and,
FIG. 7 is a bottom plan view thereof.

1 Claim, 4 Drawing Sheets



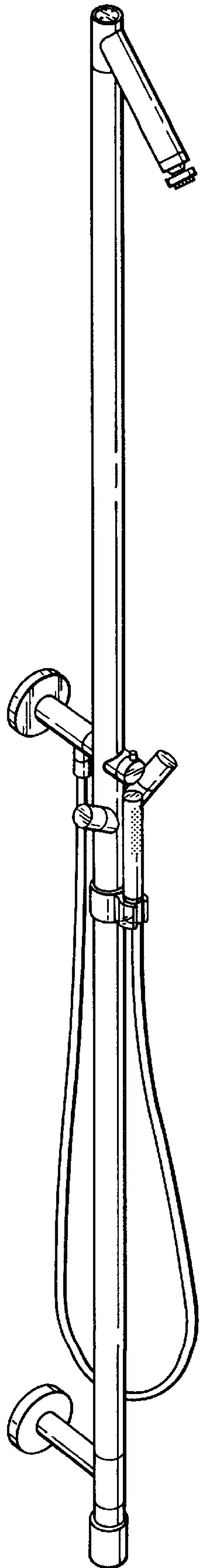


Fig. 1

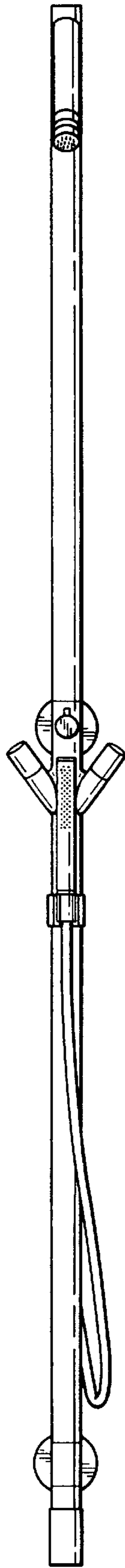


Fig. 2

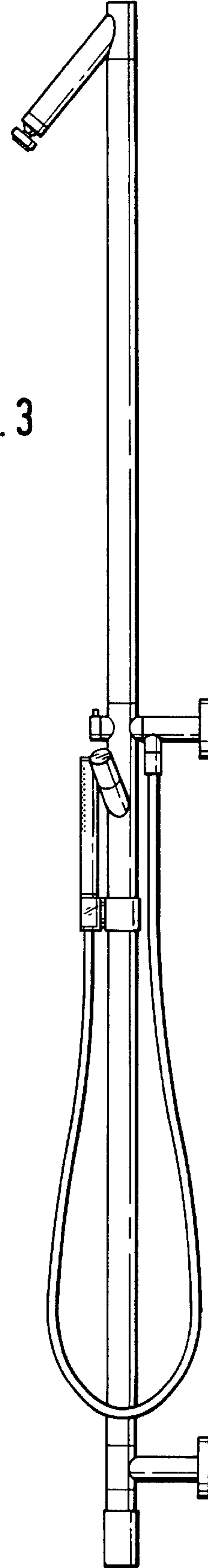


Fig. 3

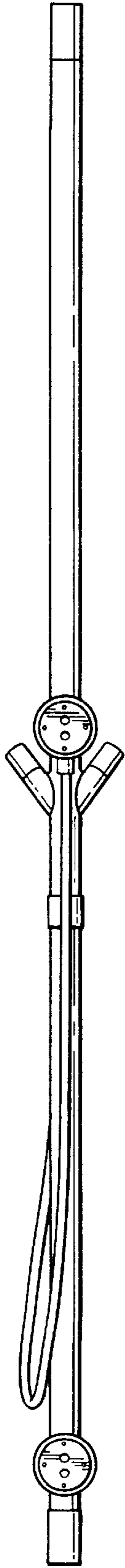


Fig. 4

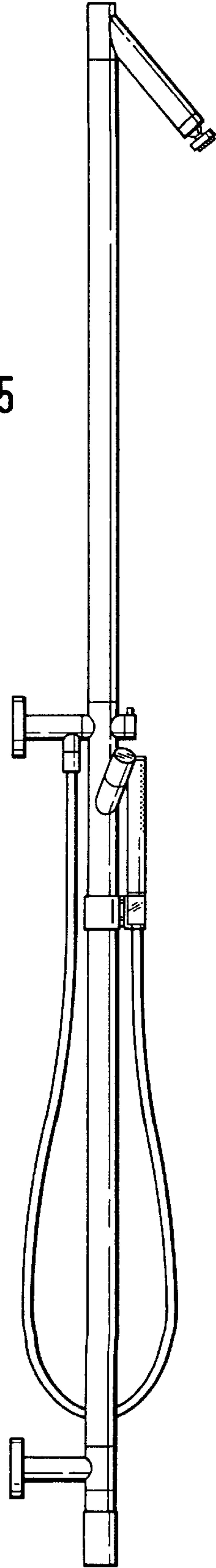


Fig. 5

Fig. 6

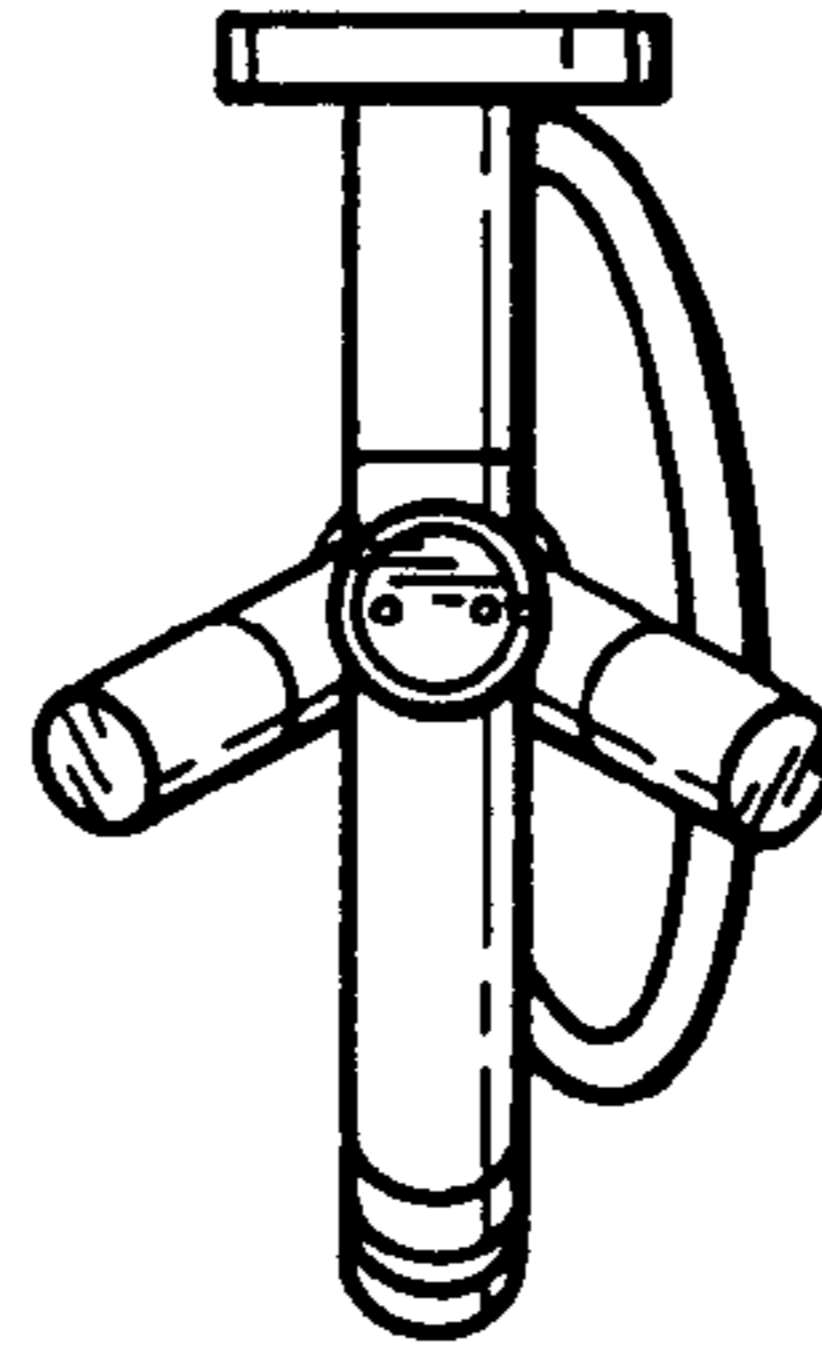


Fig. 7

