



US00D424176S

United States Patent [19] Wheeler, III

[11] Patent Number: Des. 424,176

[45] Date of Patent: ** May 2, 2000

[54] TOILET AND SINK COMBINATION UNIT

[75] Inventor: Robert L. Wheeler, III, Monrovia, Calif.

[73] Assignee: Acorn Engineering Co., City of Industry, Calif.

[**] Term: 14 Years

[21] Appl. No.: 29/107,654

[22] Filed: Jul. 12, 1999

[51] LOC (7) Cl. 23-01

[52] U.S. Cl. D23/273

[58] Field of Search D23/270-276,
D23/296-311; 4/599-626, 449, 463; D25/16;
220/413

[56] **References Cited**

U.S. PATENT DOCUMENTS

D. 132,476	5/1942	Martin	D23/272
D. 190,795	8/1961	Radcliff et al.	D23/273
D. 190,988	8/1961	Radcliff et al.	D23/273
D. 197,947	4/1964	Tiller	D23/273
D. 198,256	5/1964	Tiller et al.	D23/273
D. 203,253	12/1965	Kanter	D23/273

D. 206,740	1/1967	Hoeffken	D23/299
D. 256,153	7/1980	Juaire et al.	D23/299
1,763,209	6/1930	Ayers et al.	D23/273
2,198,605	4/1940	Faber	D23/273
2,267,618	12/1941	Shapiro	D23/273
3,015,110	1/1962	Treand	D23/273

Primary Examiner—Eric Watterson
Attorney, Agent, or Firm—Edgar W. Averill, Jr.

[57] **CLAIM**

The ornamental design for a toilet and sink combination unit.

DESCRIPTION

FIG. 1 is a perspective view showing the top, left side and front of the toilet and sink combination unit showing my new design;

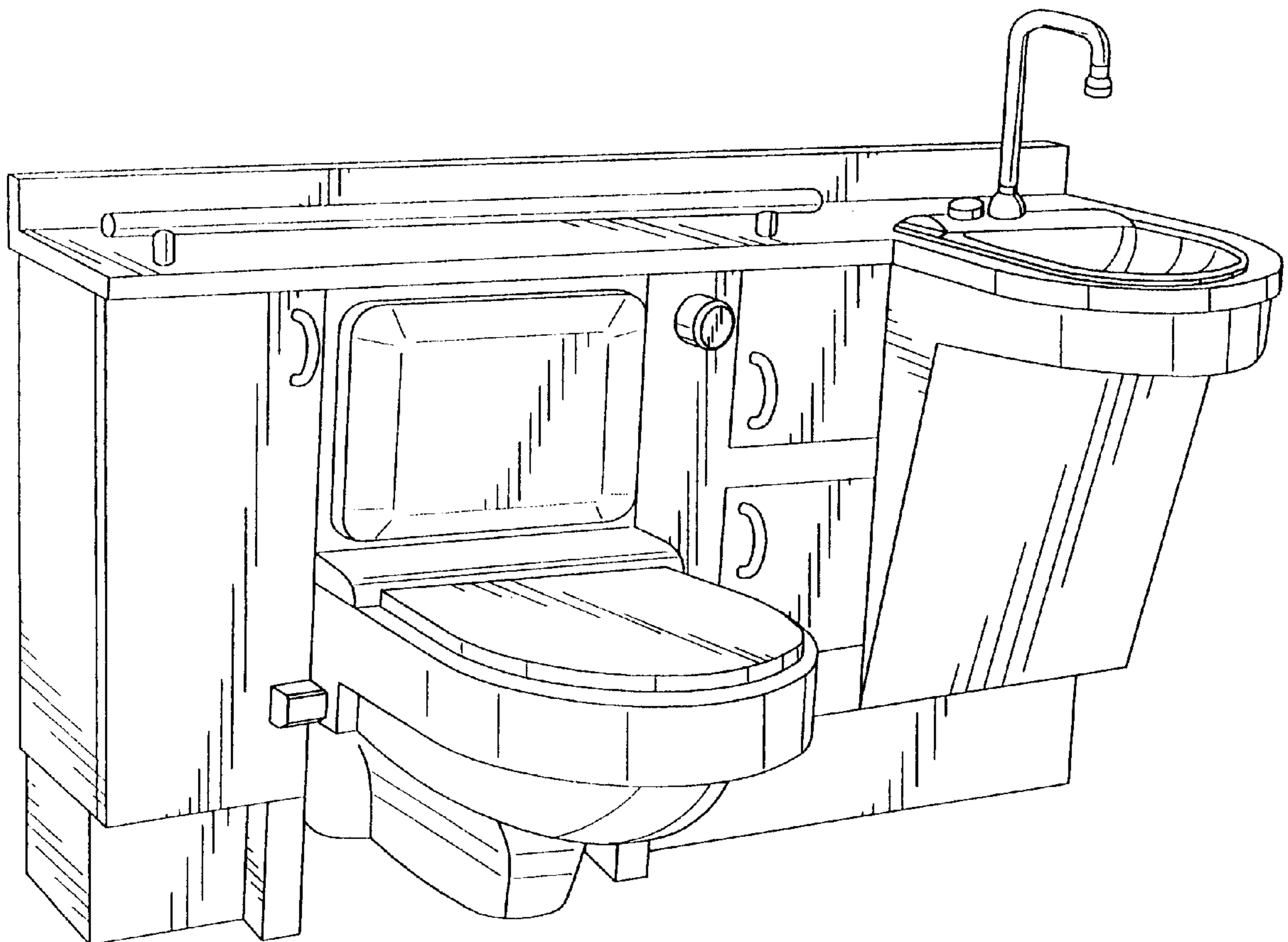
FIG. 2 is a perspective view showing the top, front and right side thereof;

FIG. 3 is a perspective view showing the top, left side and front of the unit of FIG. 1 with the toilet seat lid lifted and doors in an open configuration;

FIG. 4 is a right side view thereof; and,

FIG. 5 is a left side view thereof.

1 Claim, 2 Drawing Sheets



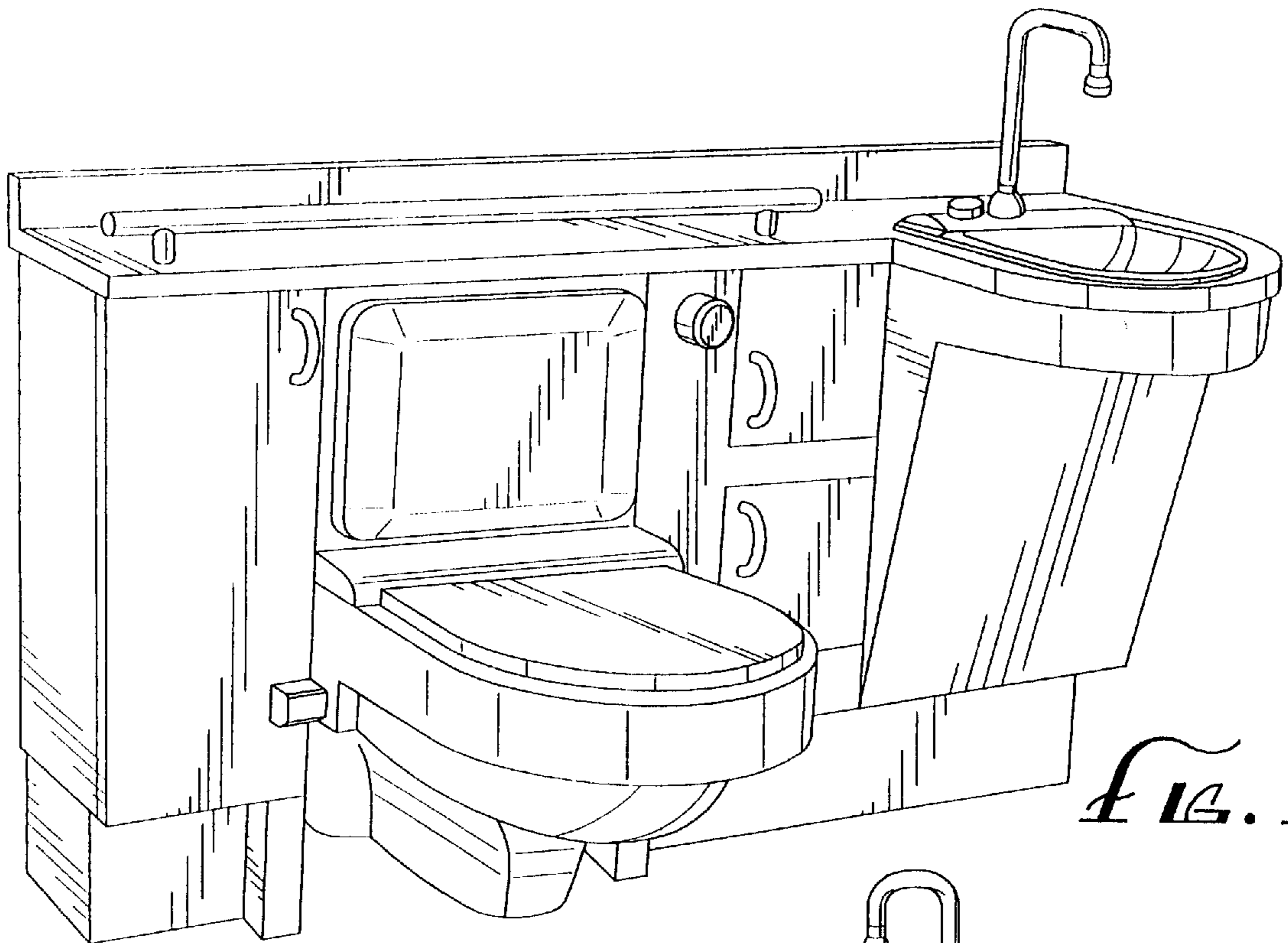


FIG. 1

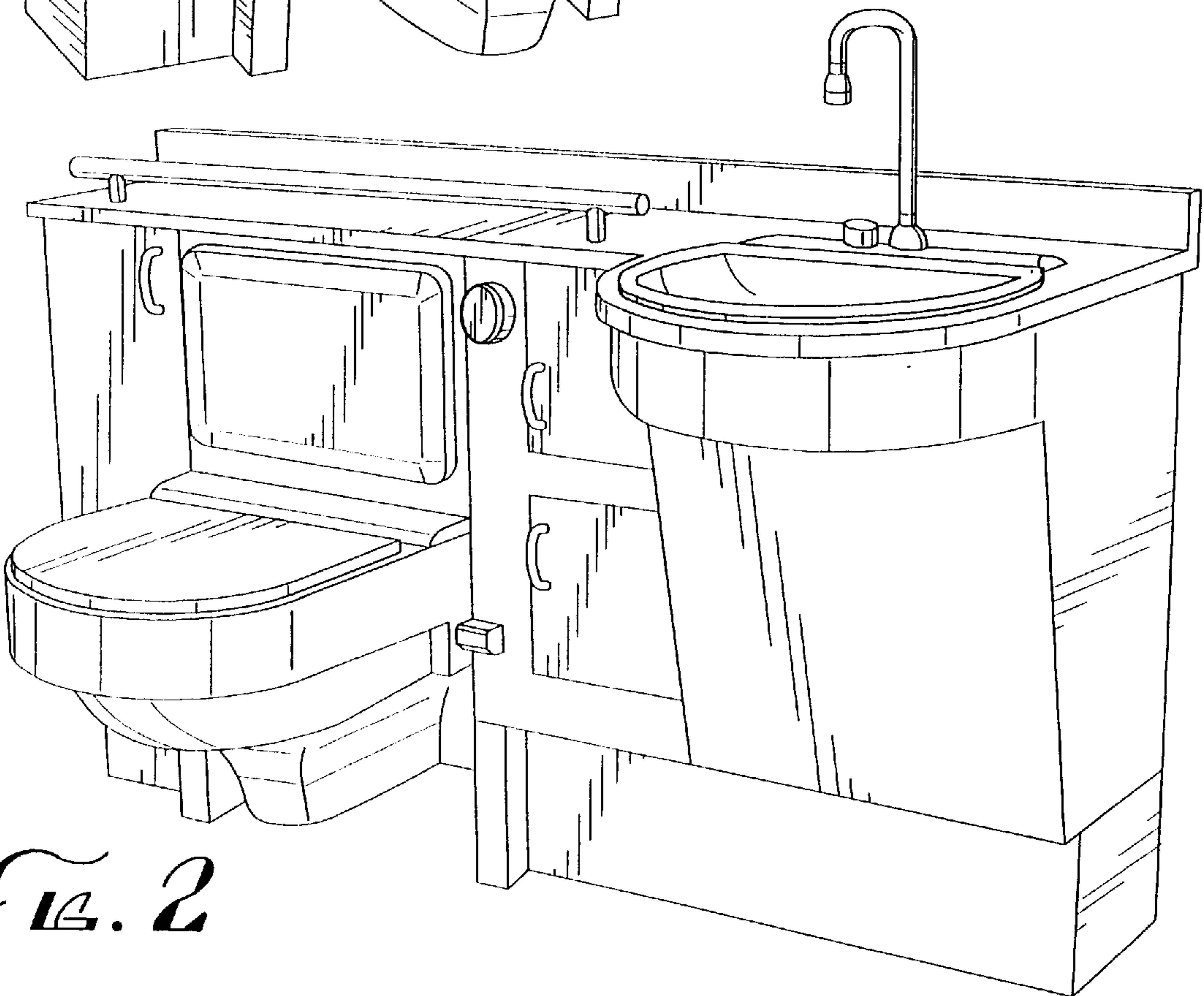


FIG. 2

