



US00D424168S

# United States Patent [19] Higgins

[11] Patent Number: **Des. 424,168**

[45] Date of Patent: **\*\* May 2, 2000**

[54] **REPLACEMENT VALVE SEAT OF A FLUSH VALVE**

D. 309,938 8/1990 Schoepe et al. .... D23/236  
D. 321,749 11/1991 Wesolowsky .... D23/236  
D. 347,881 6/1994 Amore .... D23/236

[75] Inventor: **Gary R. Higgins**, Laguna Beach, Calif.

*Primary Examiner*—Robin V. Taylor  
*Attorney, Agent, or Firm*—Howard M. Cohn

[73] Assignee: **WDI International, Inc.**, Bedford Heights, Ohio

[\*\*] Term: **14 Years**

[57] **CLAIM**

[21] Appl. No.: **29/106,723**

I claim the ornamental design of a replacement valve seat of a flush valve, as shown and described.

[22] Filed: **Jun. 18, 1999**

**DESCRIPTION**

**Related U.S. Application Data**

[60] Provisional application No. 60/090,061, Jun. 19, 1998.

FIG. 1 is a perspective view of a replacement valve seat of the flush valve in accordance with the design;

[51] **LOC (7) Cl.** ..... **23-01**

FIG. 2 is a top view of the replacement valve seat of the flush valve of FIG. 1;

[52] **U.S. Cl.** ..... **D23/236**

FIG. 3 is a bottom view of the replacement valve seat of the flush valve of FIG. 1;

[58] **Field of Search** ..... D23/233-237,  
D23/244; 251/360, 363; 137/515.5, 515;  
4/249, 250, DIG. 3

FIG. 4 is a side view of the replacement valve seat of the flush valve of FIG. 1;

FIG. 5 is a left side view of the replacement valve seat of the flush valve of FIG. 2; and,

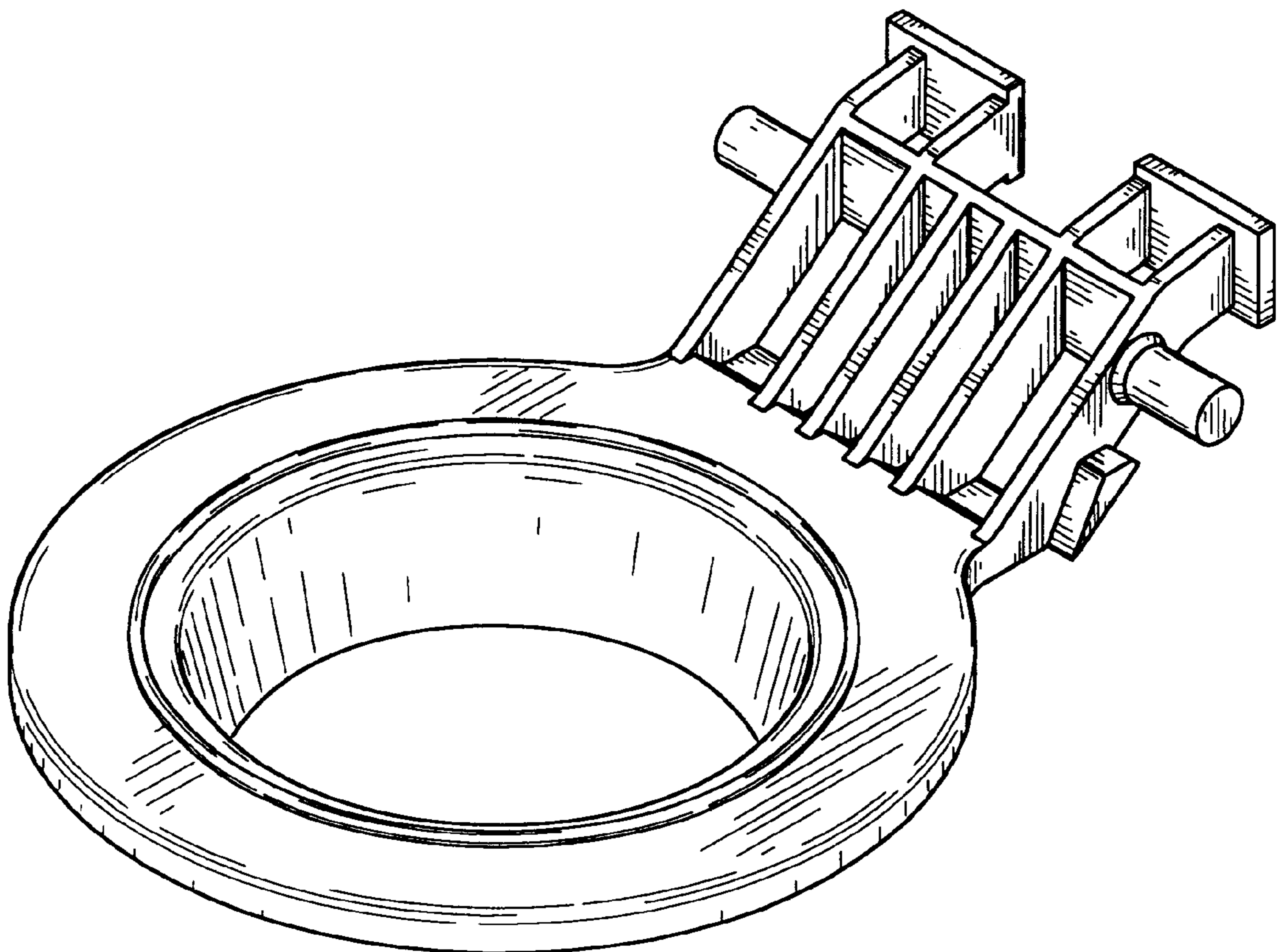
FIG. 6 is a right side view of the replacement valve seat of the flush valve of FIG. 2.

[56] **References Cited**

**U.S. PATENT DOCUMENTS**

D. 203,322 12/1965 Harold ..... D23/236  
D. 238,424 1/1976 Scheepe ..... D23/236

**1 Claim, 2 Drawing Sheets**



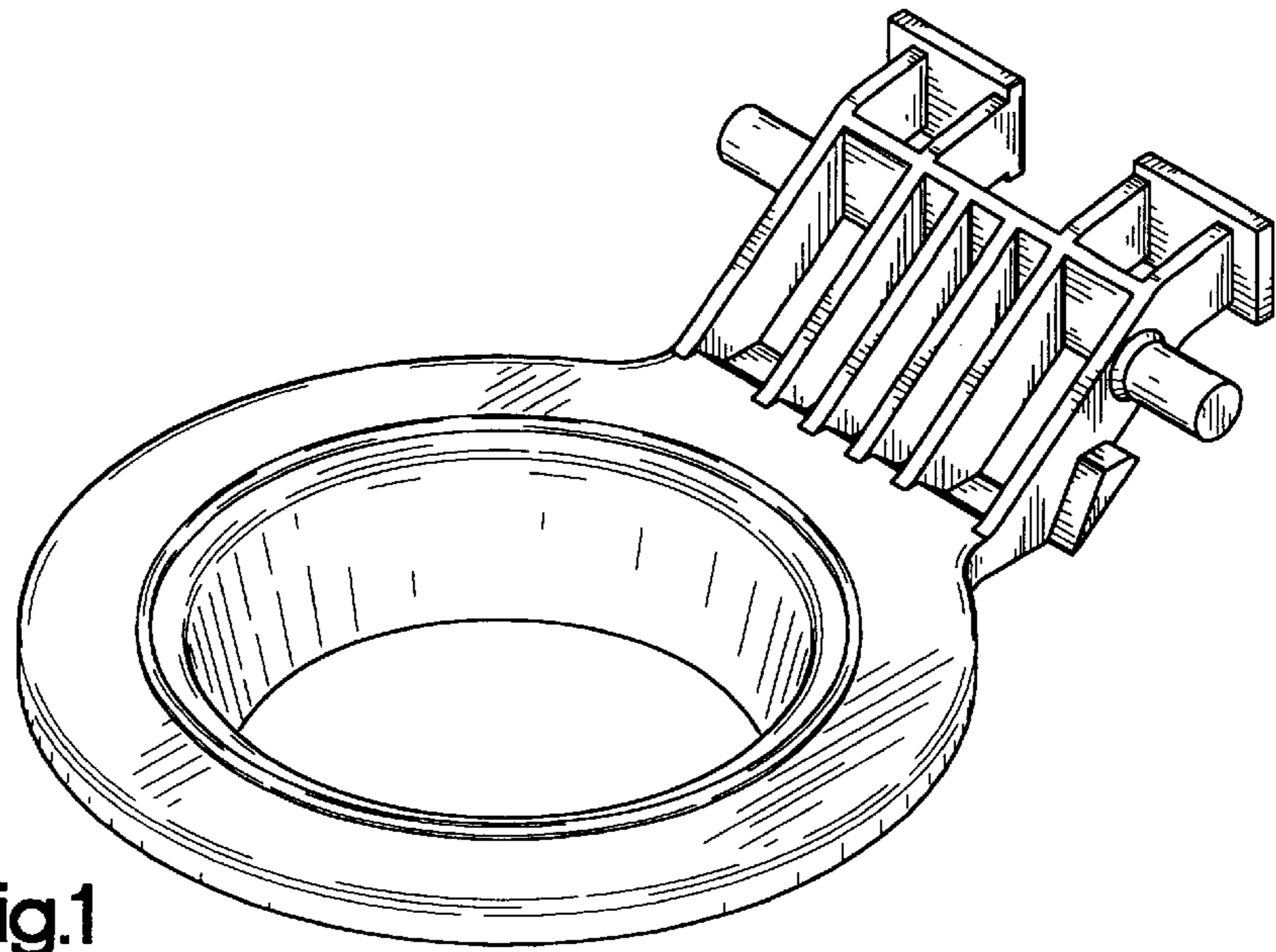


Fig.1

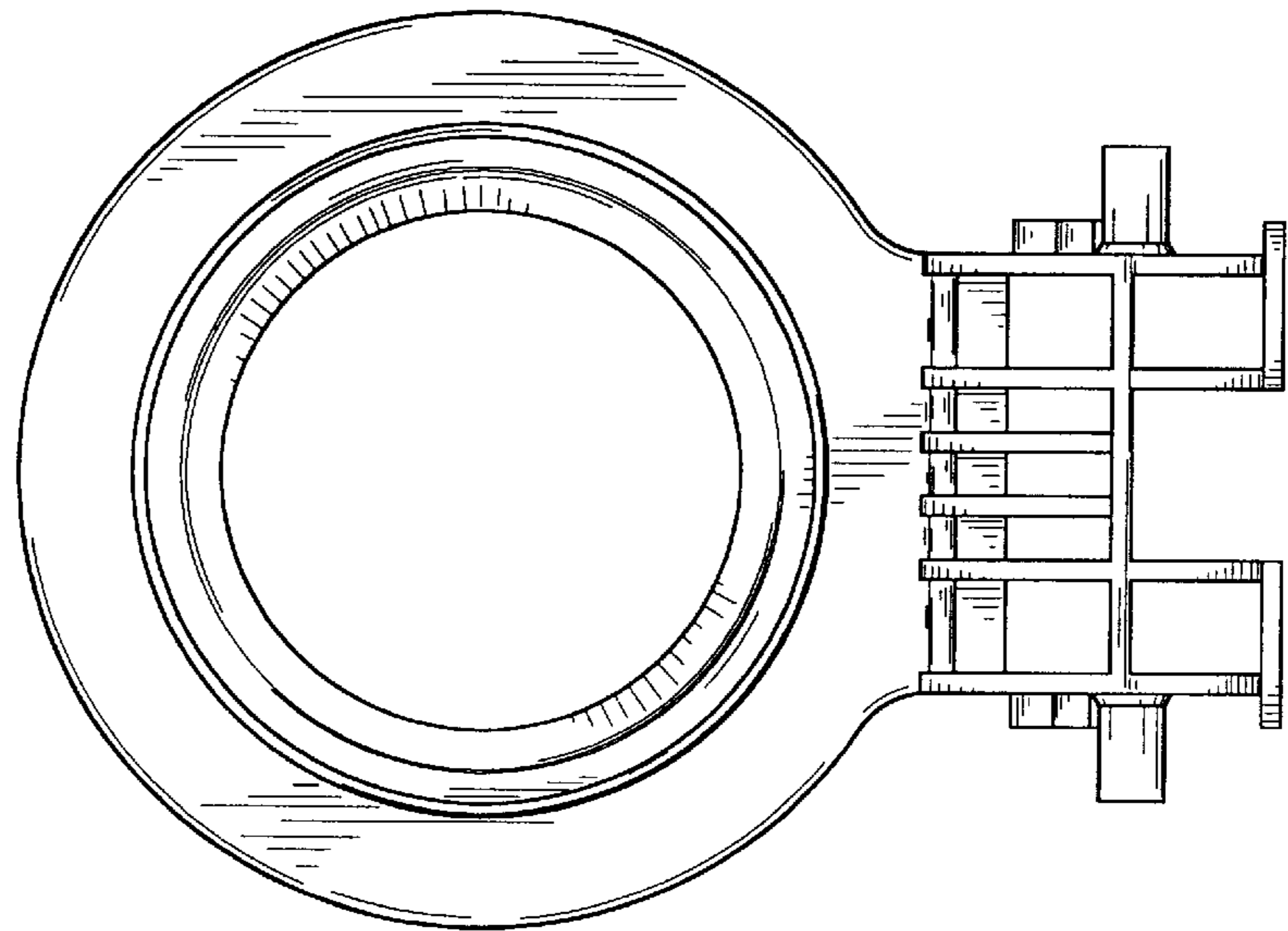


Fig.2

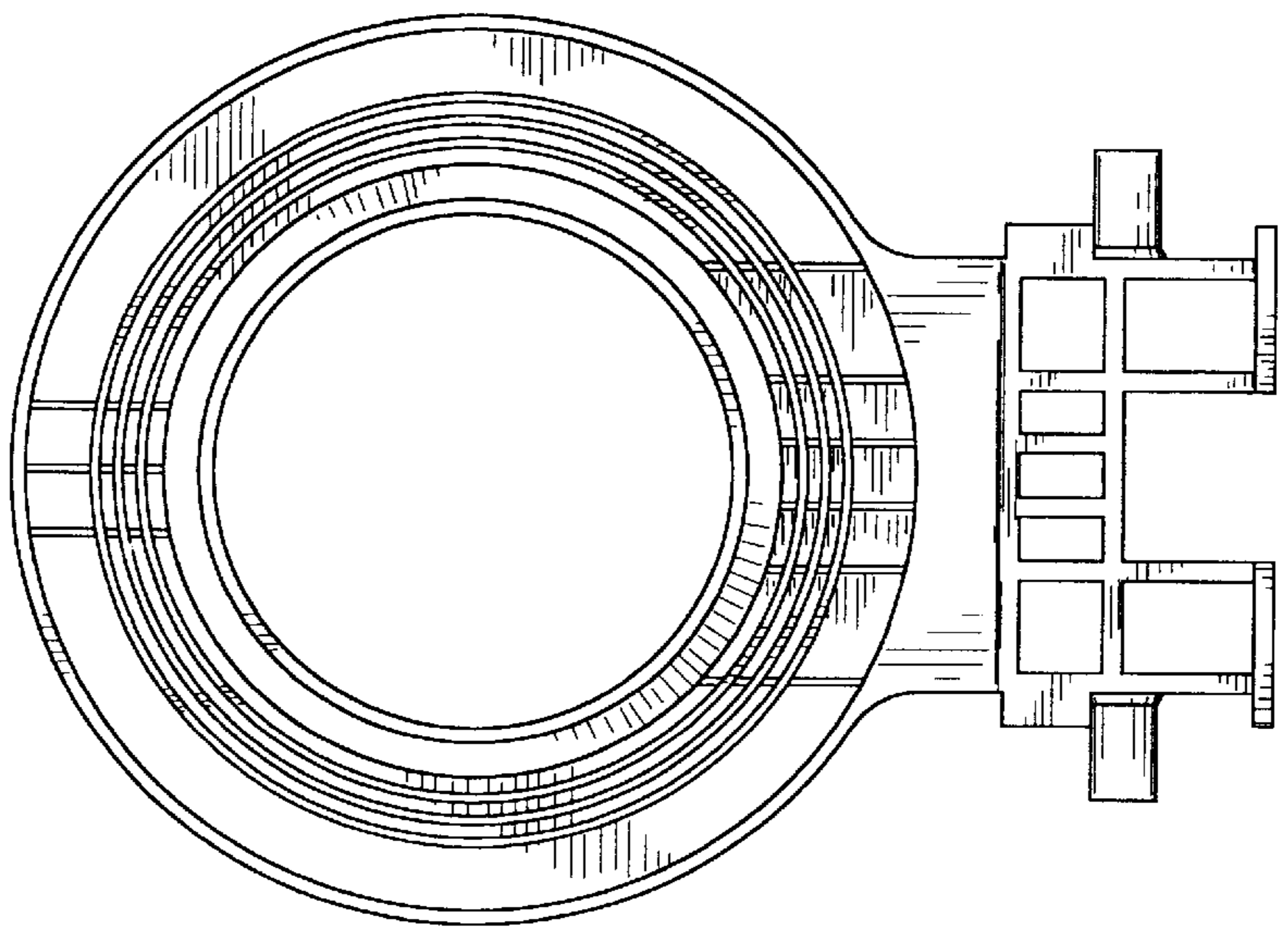


Fig.3

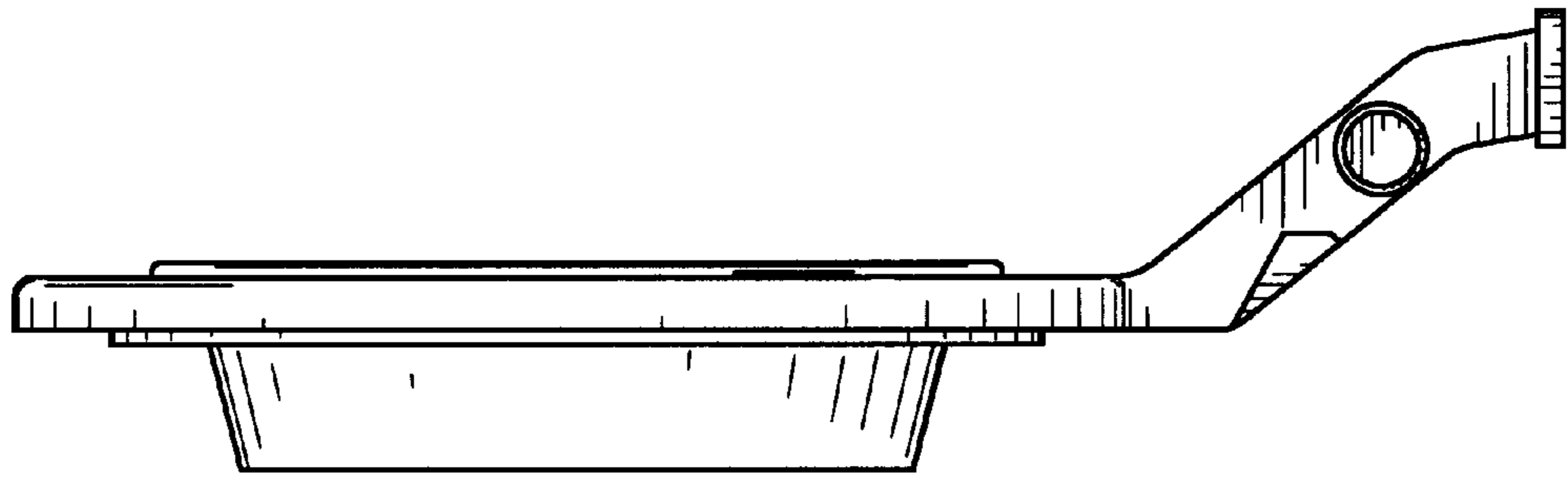


Fig.4

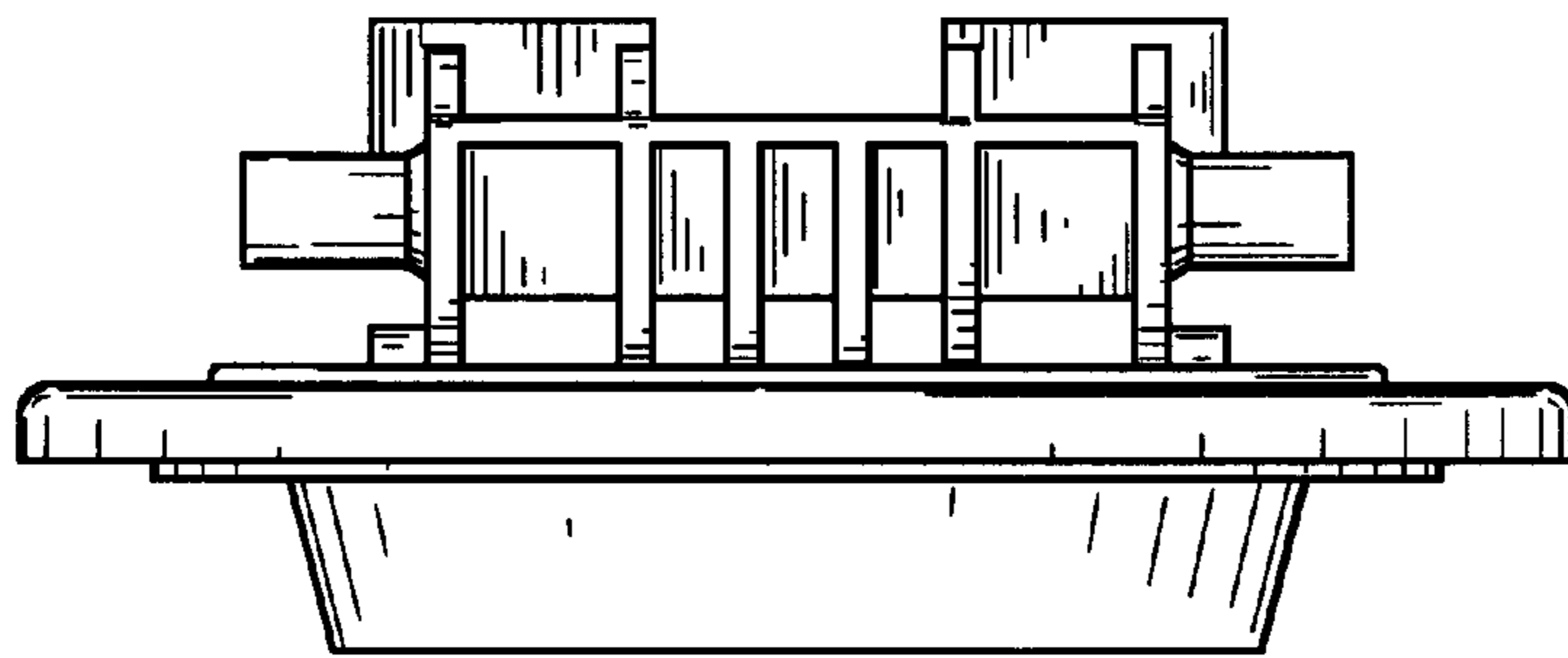


Fig.5



Fig.6