



US00D424167S

# United States Patent [19]

Yuen et al.

[11] Patent Number: Des. 424,167

[45] Date of Patent: \*\* May 2, 2000

[54] DISPENSING SYSTEM BUNG CUP

[75] Inventors: **Kaye Kit-Han Yuen**, Minneapolis;  
**Oliver Murphy, III**, St. Paul, both of  
Minn.

[73] Assignee: **Ecolab, Inc.**, St. Paul, Minn.

[\*\*] Term: **14 Years**

[21] Appl. No.: **29/102,914**

[22] Filed: **Apr. 2, 1999**

[51] **LOC (7) Cl.** ..... **23-01**

[52] **U.S. Cl.** ..... **D23/233; D7/398; D34/39**

[58] **Field of Search** ..... **D34/39; 137/209,**  
**137/212, 381, 322, 614.03; 222/110, 321.7,**  
**464.1, 400.7, 544, 181.3; D23/233, 235;**  
**D7/300, 398**

## [56] References Cited

### U.S. PATENT DOCUMENTS

D. 299,950	2/1989	Canaan et al. ....	D23/233
D. 326,503	5/1992	Ipsen .	
D. 328,200	7/1992	Ipsen .	
D. 362,990	10/1995	Losordo .....	D34/39 X
D. 396,995	8/1998	Miltenberger .....	D7/398
D. 407,093	3/1999	Wells .....	D7/398
2,820,576	1/1958	Livingstone .....	222/400.7
2,823,833	2/1958	Bauerlein .	
3,065,885	11/1962	Chatten .....	222/400.7
3,422,448	1/1969	Johnston .....	222/110
3,672,390	6/1972	Gravesteijn .....	222/400.7 X
4,351,456	9/1982	Nezworski .....	222/400.7
4,363,336	12/1982	Cerrato .....	137/212
4,406,301	9/1983	Cerrato .....	137/212
4,458,833	7/1984	Bailey .....	222/400.7
4,488,572	12/1984	Brown et al. ....	137/212
4,524,801	6/1985	Magnasco et al. .	
4,538,746	9/1985	Hines .....	222/400.7
4,685,598	8/1987	Nezworski .....	222/400.7
4,691,850	9/1987	Kirschmann et al. .	
4,941,596	7/1990	Marty et al. .	
4,964,185	10/1990	Lehn .	
4,976,137	12/1990	Decker et al. .	
5,085,352	2/1992	Sasaki et al. .	

5,139,182	8/1992	Appla .	
5,181,632	1/1993	Latter .	
5,203,366	4/1993	Czeck et al. .	
5,203,477	4/1993	Lo .....	222/400.7
5,246,140	9/1993	Thix et al. .	
5,404,901	4/1995	Pickrell et al. ....	137/381
5,507,419	4/1996	Martin et al. .	
5,597,021	1/1997	Crossdale et al. .	
5,597,093	1/1997	Lee .	
5,611,459	3/1997	Hinch .	
5,617,977	4/1997	Augustinus .	
5,632,420	5/1997	Lohrman et al. .	
5,641,094	6/1997	Wunsch .	
5,645,192	7/1997	Amidzich .....	222/400.7 X
5,647,416	7/1997	Desrosiers et al. .	
5,653,253	8/1997	Larsen .....	137/322
5,660,306	8/1997	Kim .	
5,678,737	10/1997	White .	
5,709,318	1/1998	Oder .	
5,711,355	1/1998	Kowalczyk .	
5,713,493	2/1998	Garibaldi .	
5,713,496	2/1998	Ipsen .	
5,725,132	3/1998	Foster et al. .	
5,833,098	11/1998	Gomi .....	222/400.7
5,836,483	11/1998	Disel .....	222/400.7 X

*Primary Examiner*—Susan J. Lucas  
*Assistant Examiner*—Cynthia E. Ramirez  
*Attorney, Agent, or Firm*—Merchant & Gould P.C.

## [57] CLAIM

The ornamental design for a dispensing system bung cup, as shown and described.

## DESCRIPTION

FIG. 1 is a front, side and top perspective view of the dispensing system bung cup showing our new design; FIG. 2 is a bottom plan view of our new design; FIG. 3 is a top plan view of our new design; FIG. 4 is a right and left side elevation view of our new design; FIG. 5 is a front and rear elevation view of our new design; and, FIG. 6 is a cross-sectional view of our new design, taken along line 6—6 of FIG. 4.

1 Claim, 2 Drawing Sheets

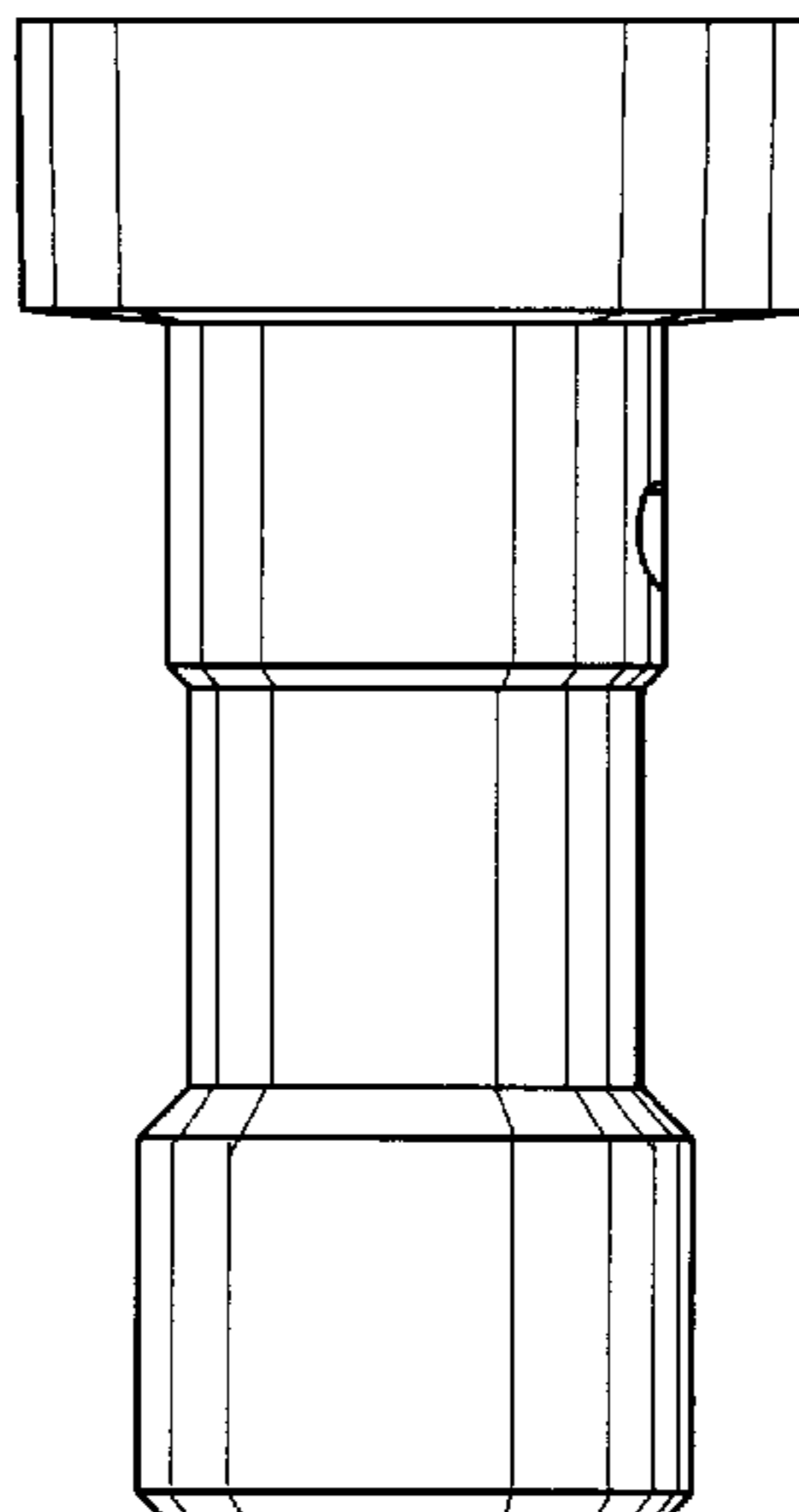
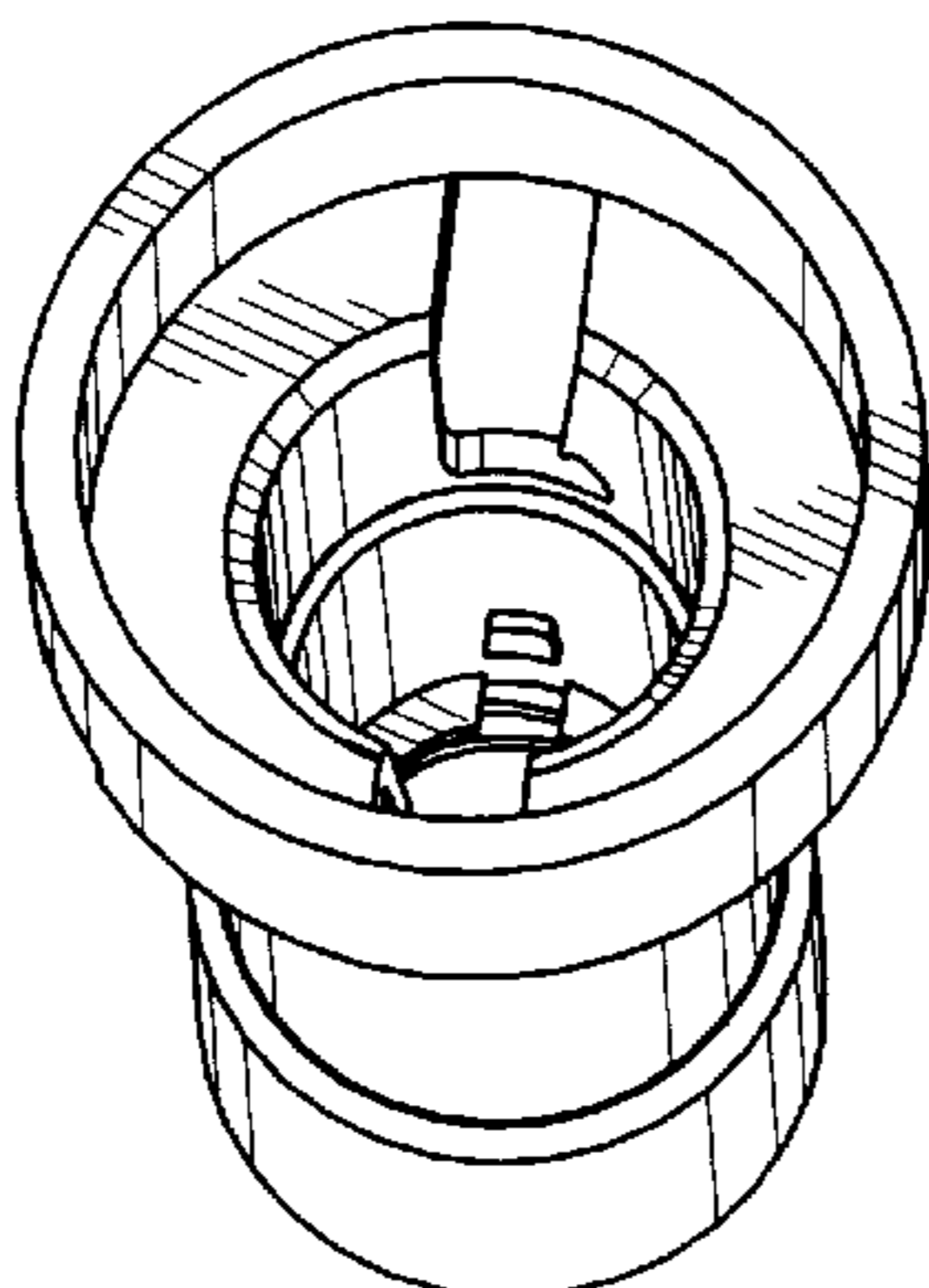


FIG. 1

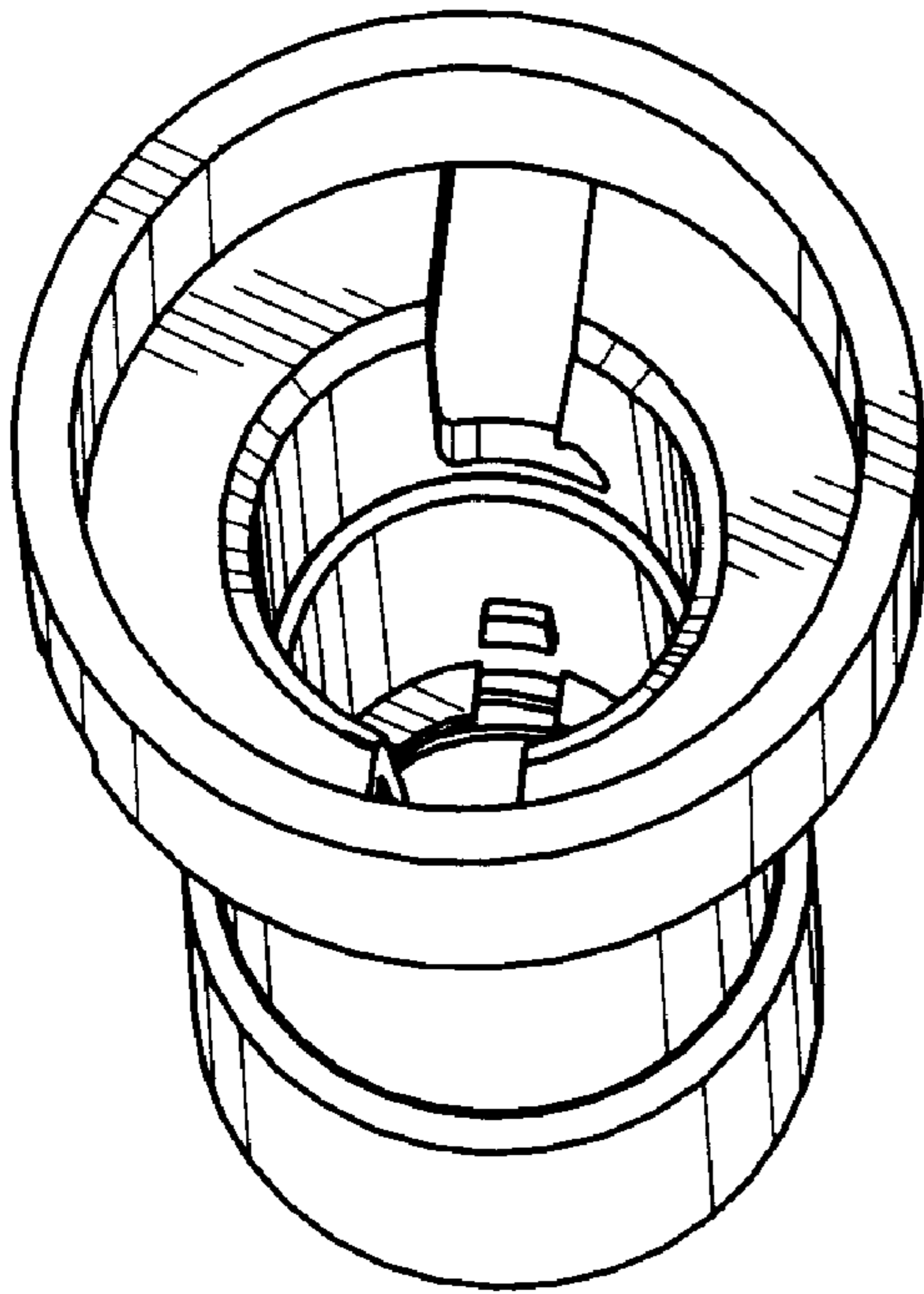


FIG. 2

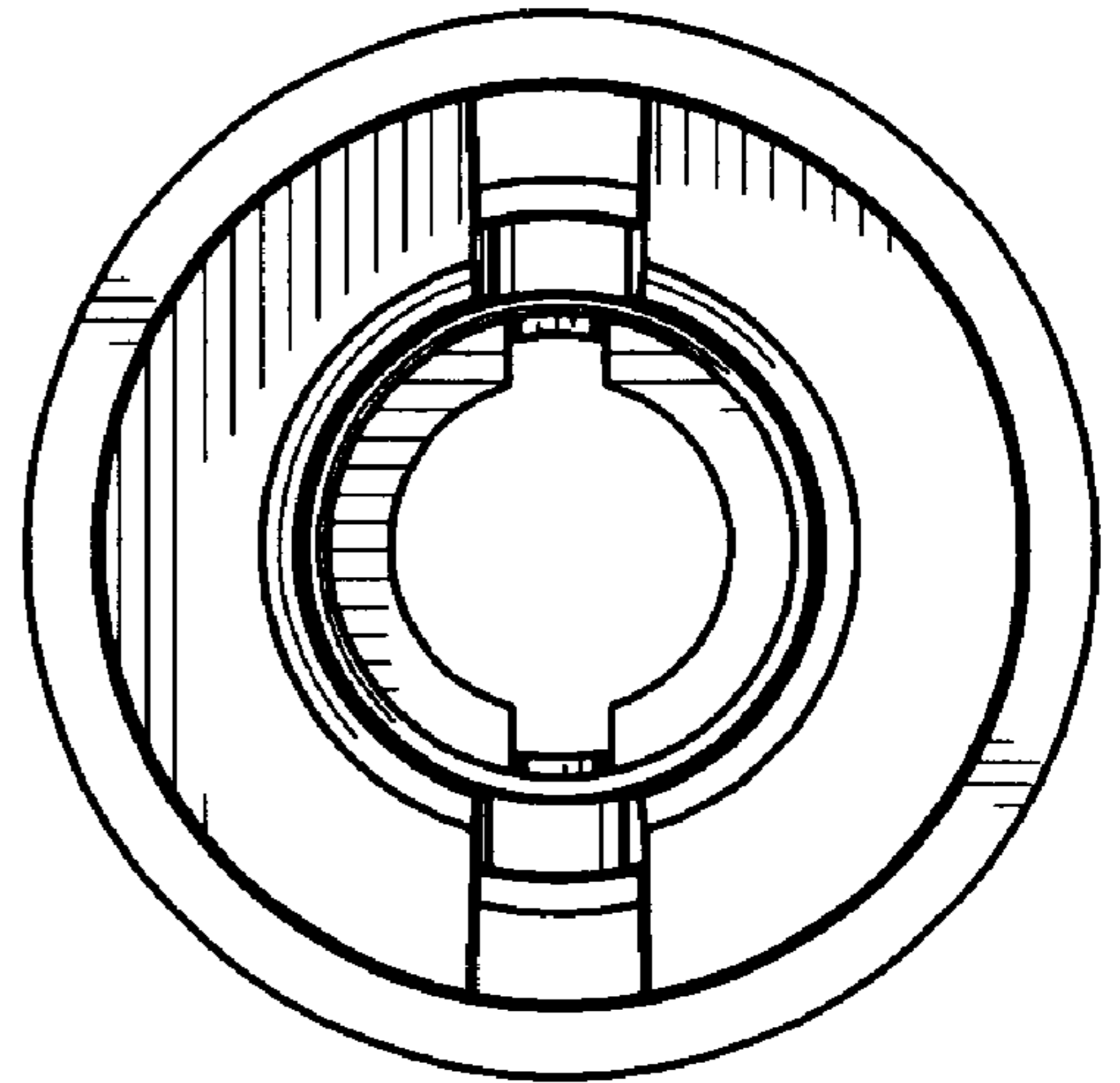


FIG. 3

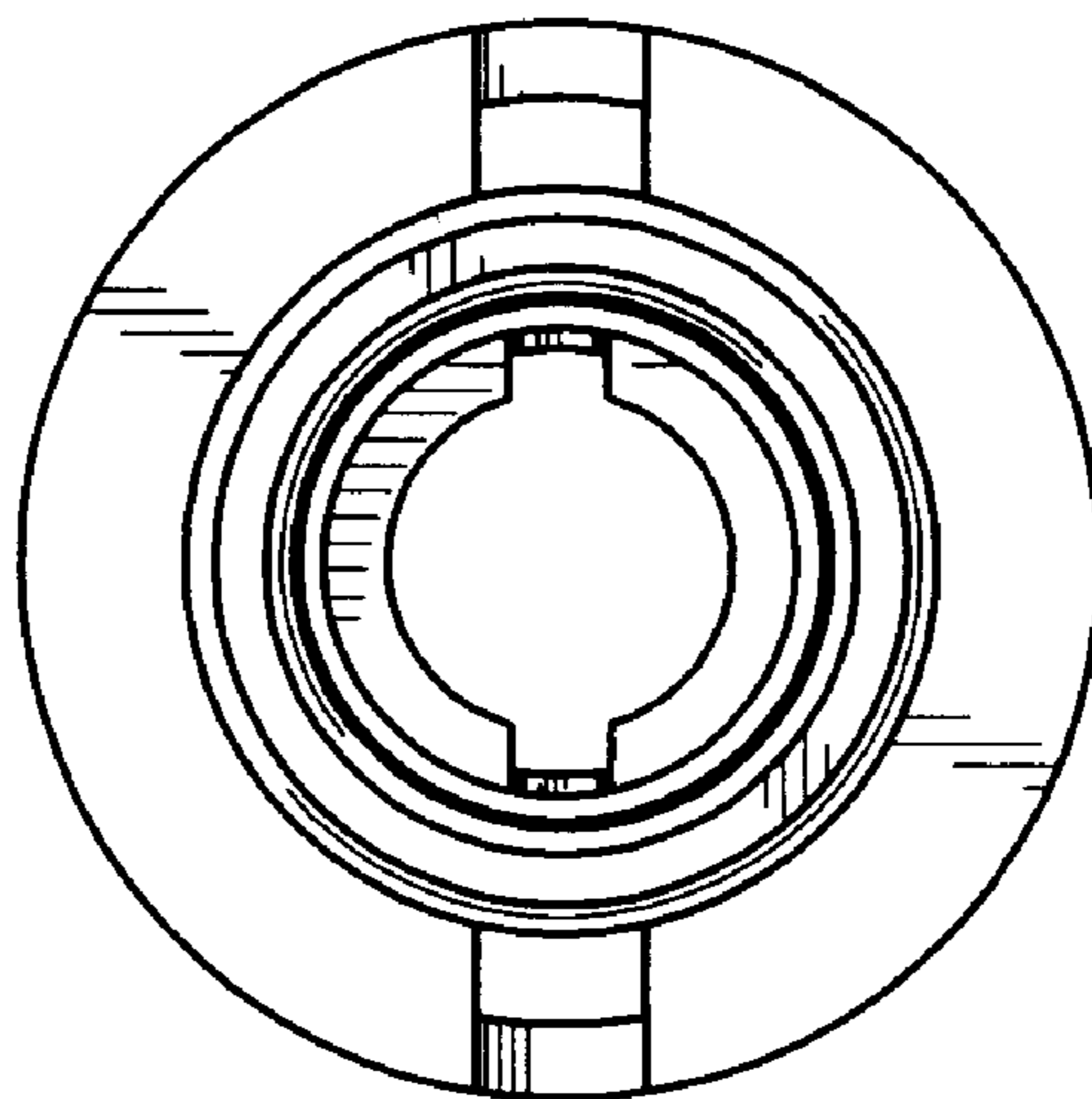


FIG. 4

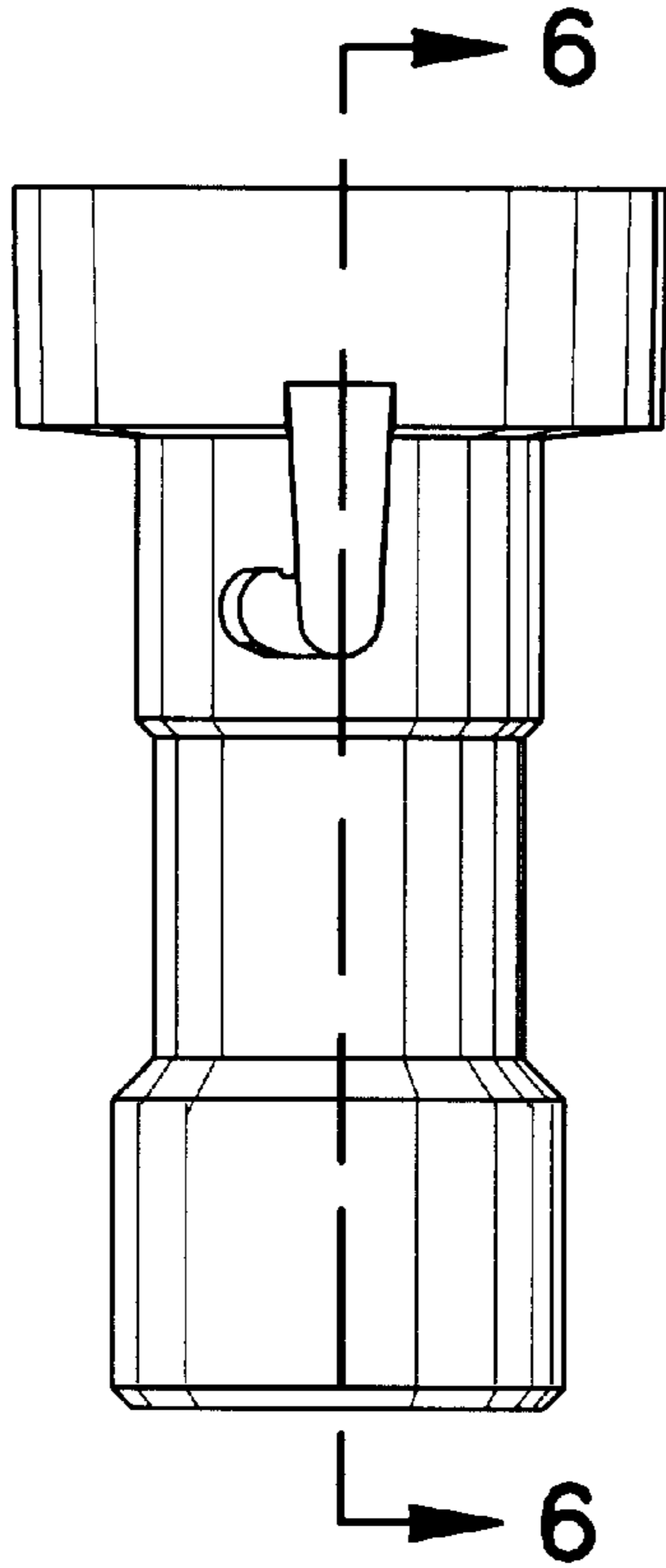


FIG. 5

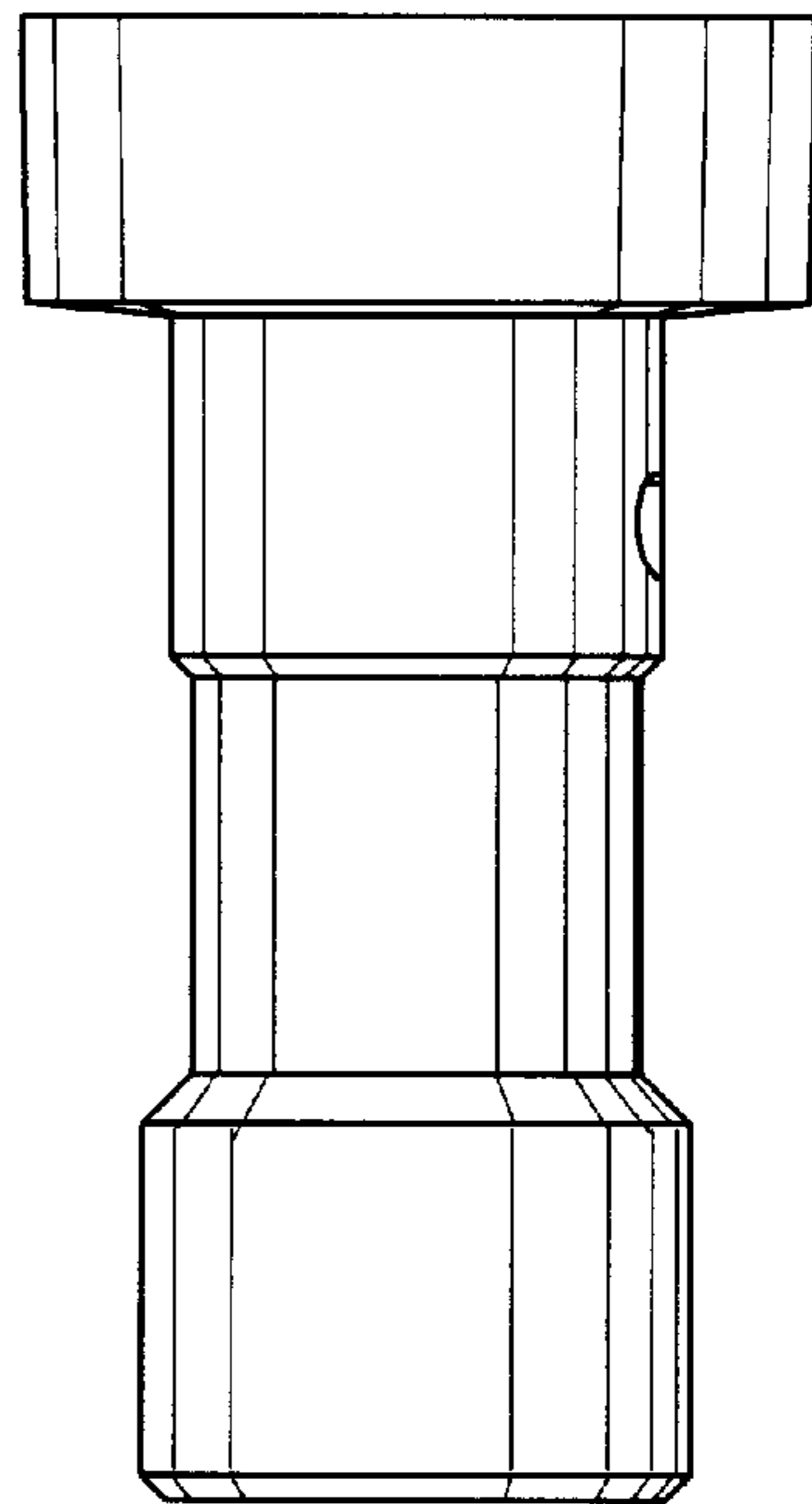


FIG. 6

