



US00D424160S

United States Patent [19]

Haug et al.

[11] Patent Number: Des. 424,160

[45] Date of Patent: ** May 2, 2000

[54] HAND SHOWER

[75] Inventors: **Andreas Haug; Thomas Schönherr**, both of Stuttgart, Germany; **Thomas KÜchler**, Zell am See, Austria

[73] Assignee: **Hansgrohe AG**, Schiltach, Germany

[**] Term: **14 Years**

[21] Appl. No.: **29/103,838**

[22] Filed: **Apr. 23, 1999**

[30] **Foreign Application Priority Data**

Oct. 24, 1998 [DE] Germany 498 11 035

[51] LOC (7) Cl. **23-01**

[52] U.S. Cl. **D23/223**

[58] Field of Search D23/213, 223, D23/226, 229-30; 239/525-528, 394

[56] **References Cited**

U.S. PATENT DOCUMENTS

- D. 339,627 9/1993 Klose D23/223
- D. 348,720 7/1994 Haug et al. D23/223
- D. 381,737 7/1997 Chan D23/223

- D. 399,301 10/1998 Huen D23/223
- D. 408,888 4/1999 Huen D23/223

OTHER PUBLICATIONS

Bossini Catalog, 1997, pp. 61-62.
Friedrich Grohe AG, Mar. 1997, "Grohetec" Catalog, pp. 18-19.

Primary Examiner—Robin V. Taylor
Attorney, Agent, or Firm—Duane, Morris & Heckscher LLP

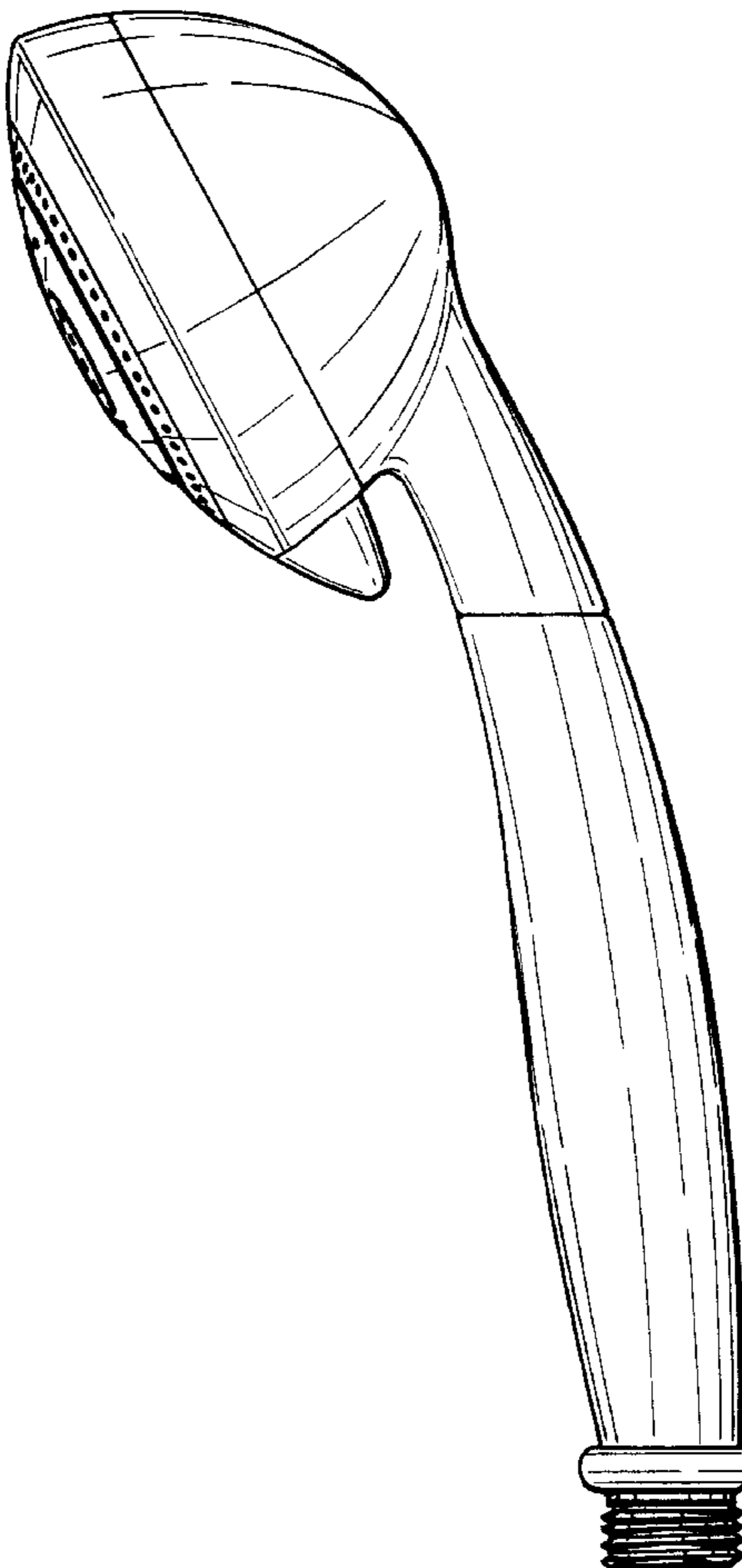
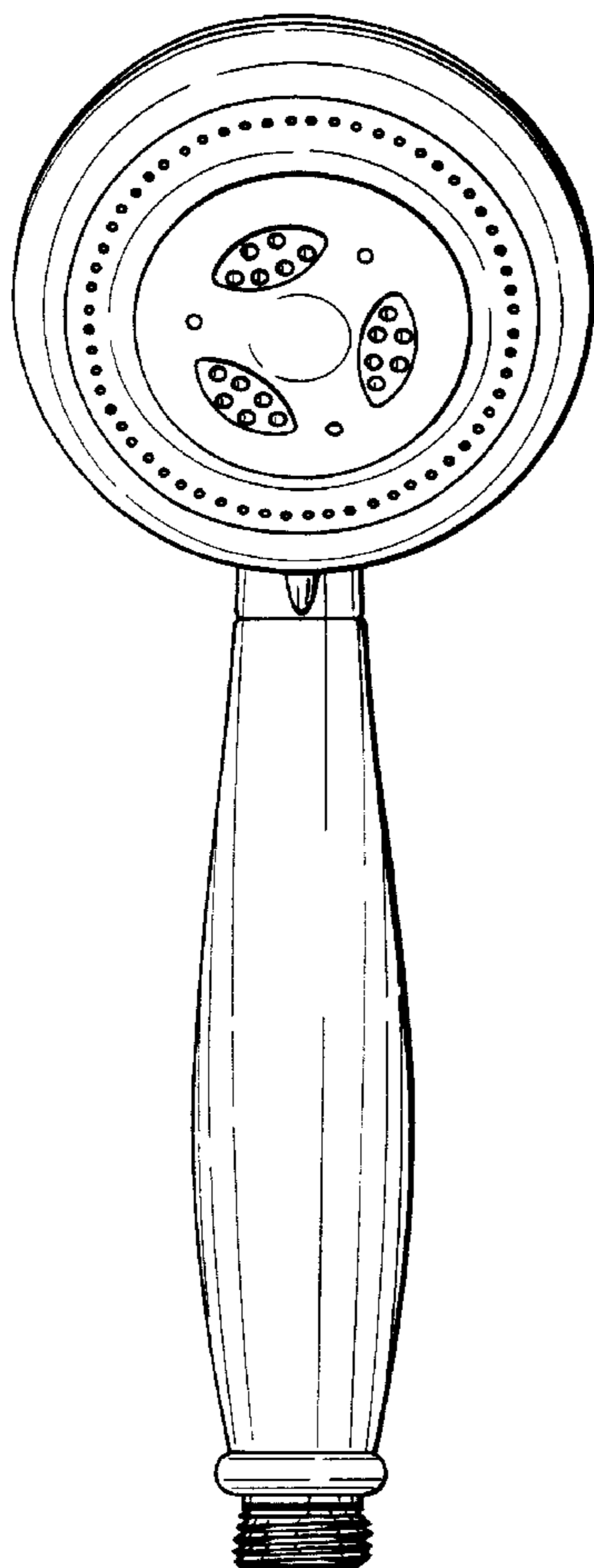
[57] **CLAIM**

The ornamental design for a hand shower, as shown and described.

DESCRIPTION

FIG. 1 is a side perspective view of a hand shower showing our new design;
FIG. 2 is a front elevation view thereof;
FIG. 3 is a bottom plan view thereof;
FIG. 4 is a side elevation view thereof;
FIG. 5 is a top plan view thereof;
FIG. 6 is a rear elevation view thereof; and,
FIG. 7 is an opposite side elevation view thereof.

1 Claim, 3 Drawing Sheets



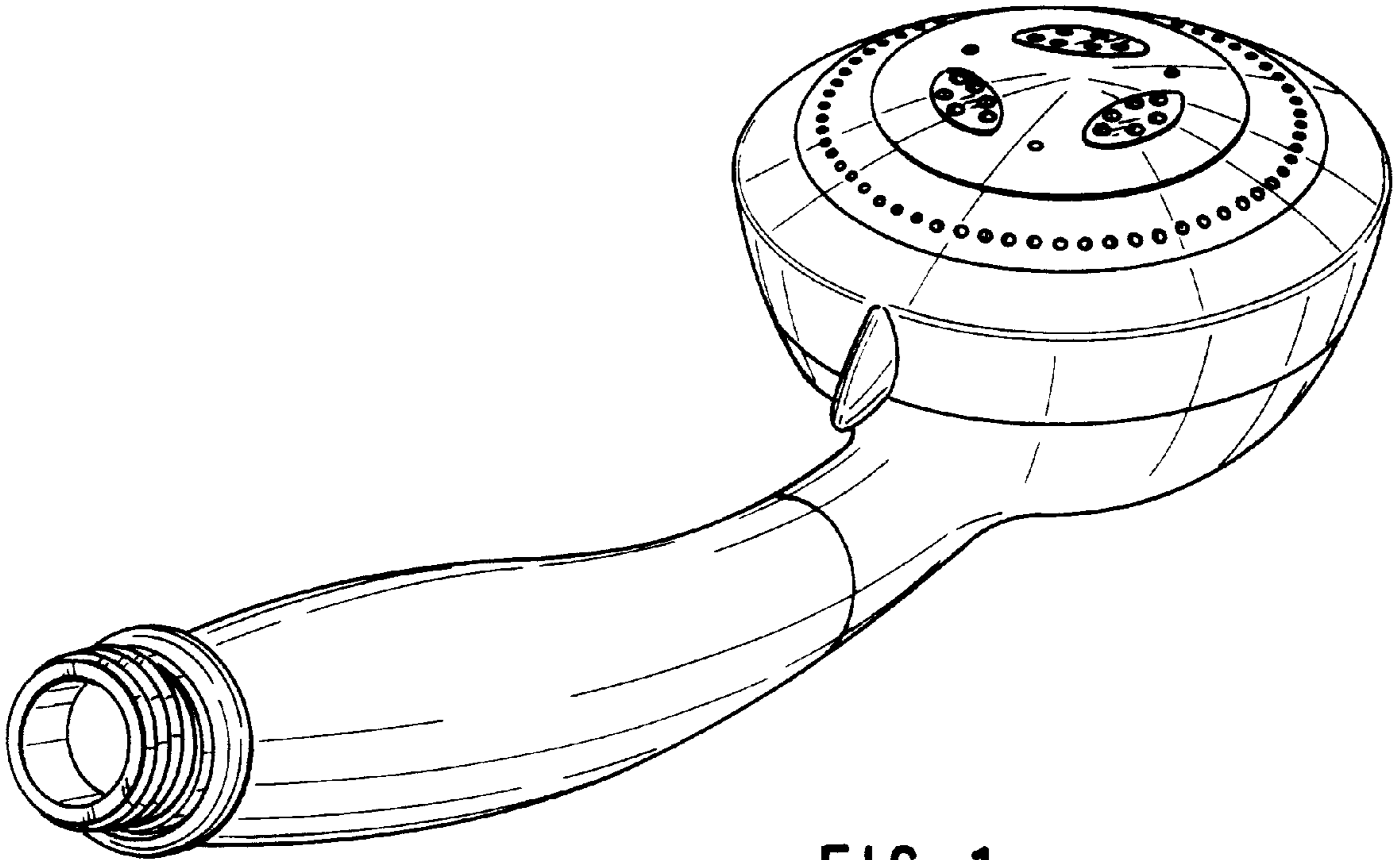


FIG. 1

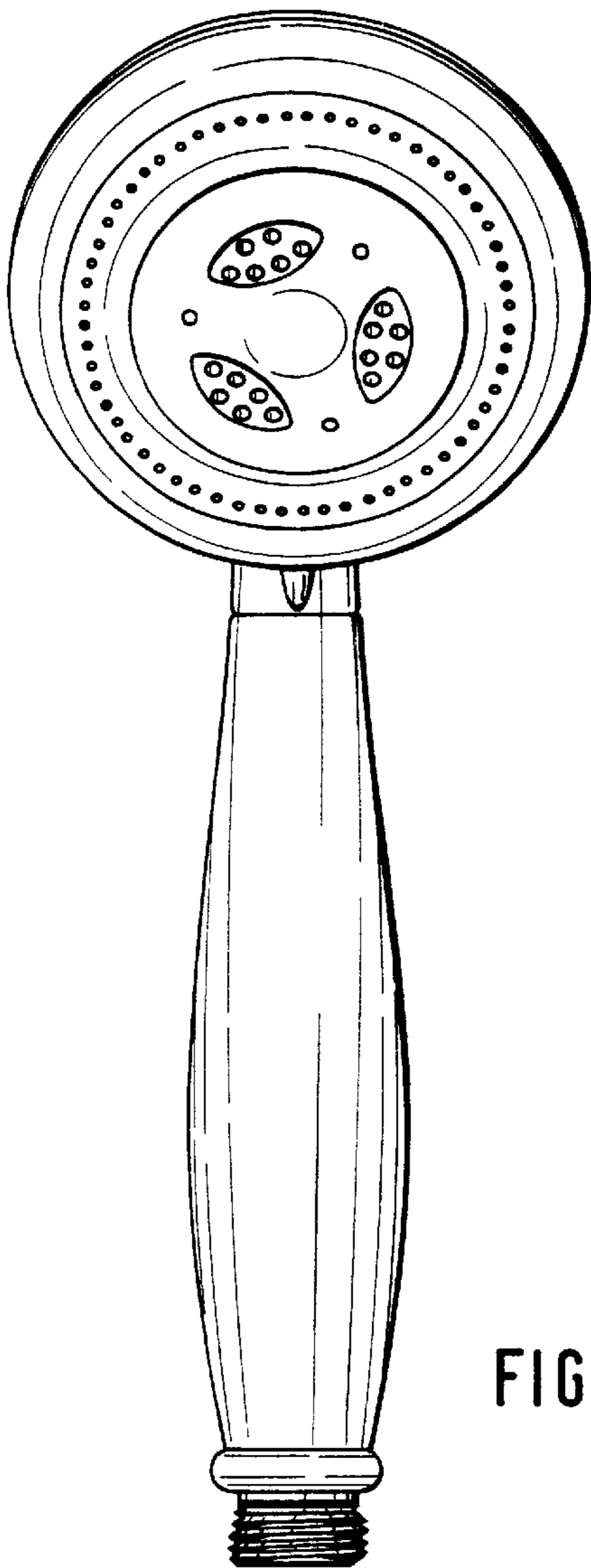


FIG. 2

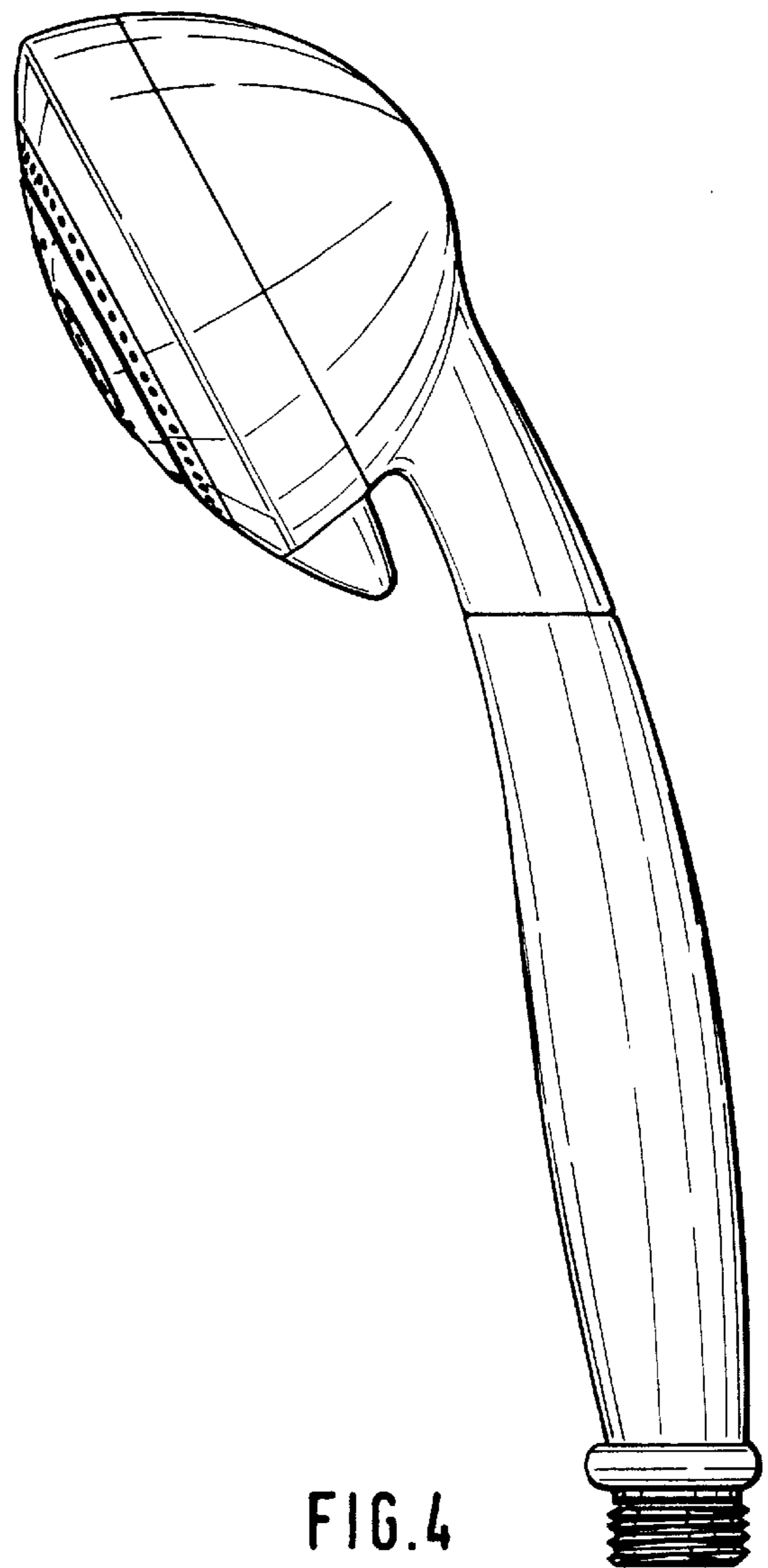


FIG. 4

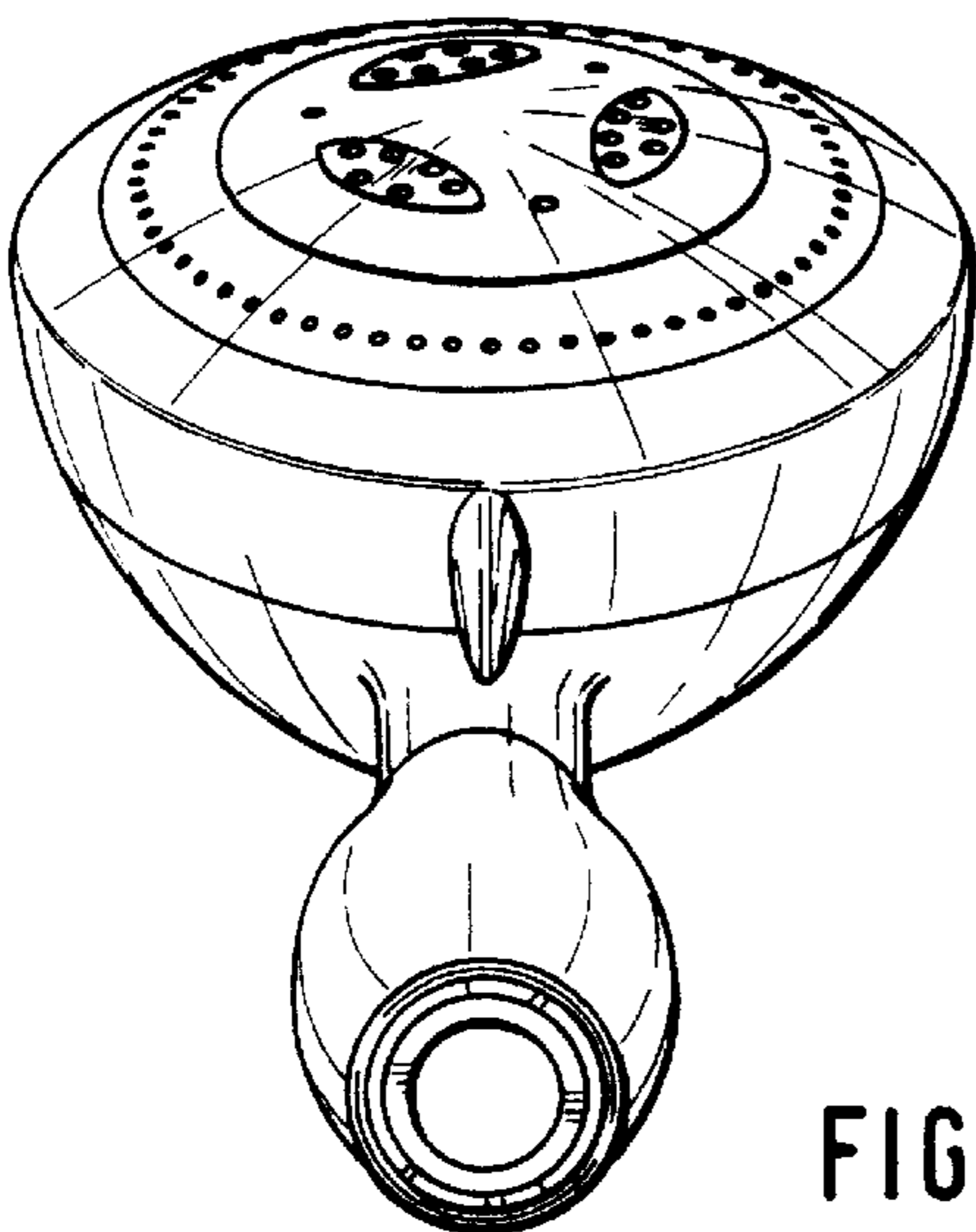


FIG. 3

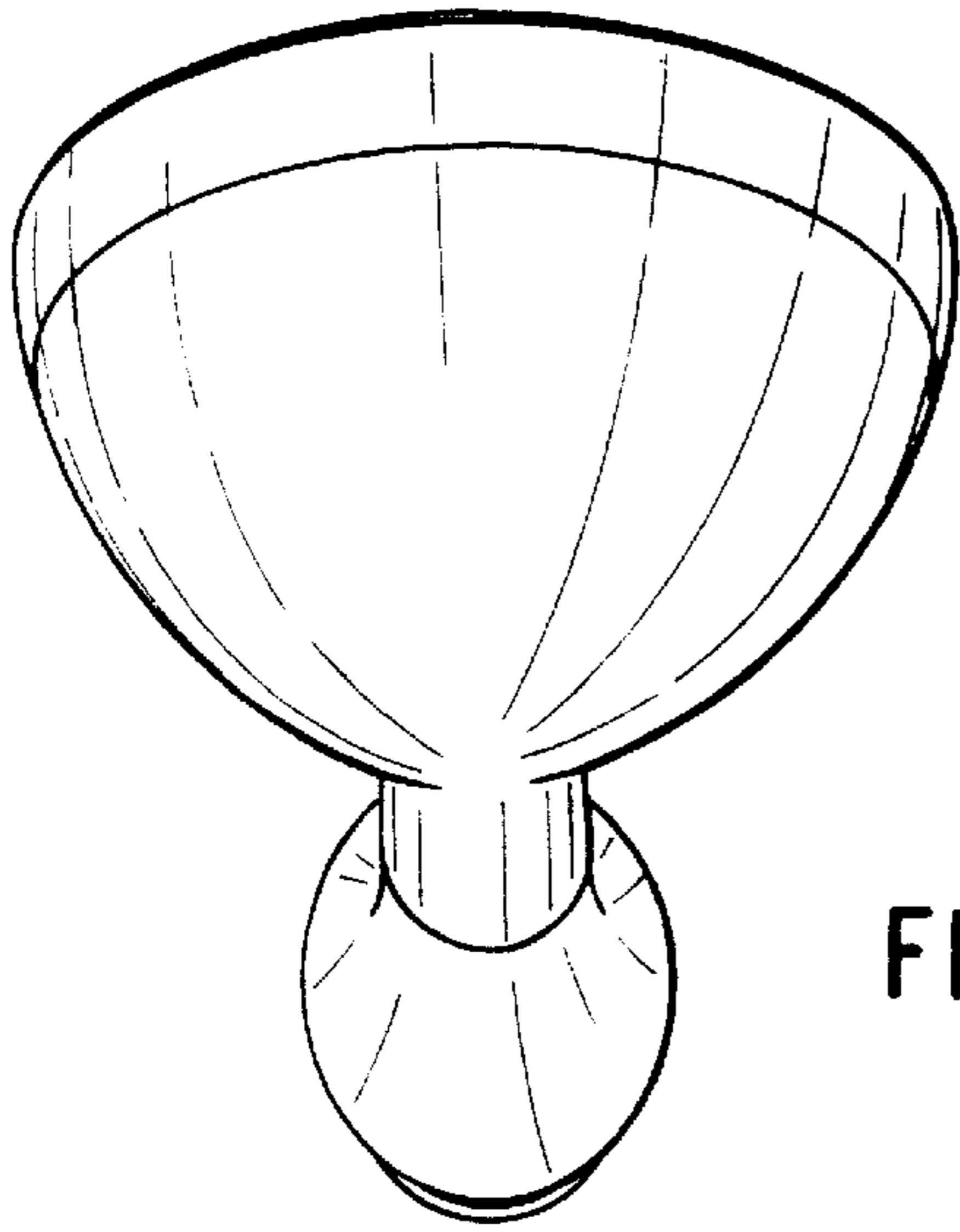


FIG. 5

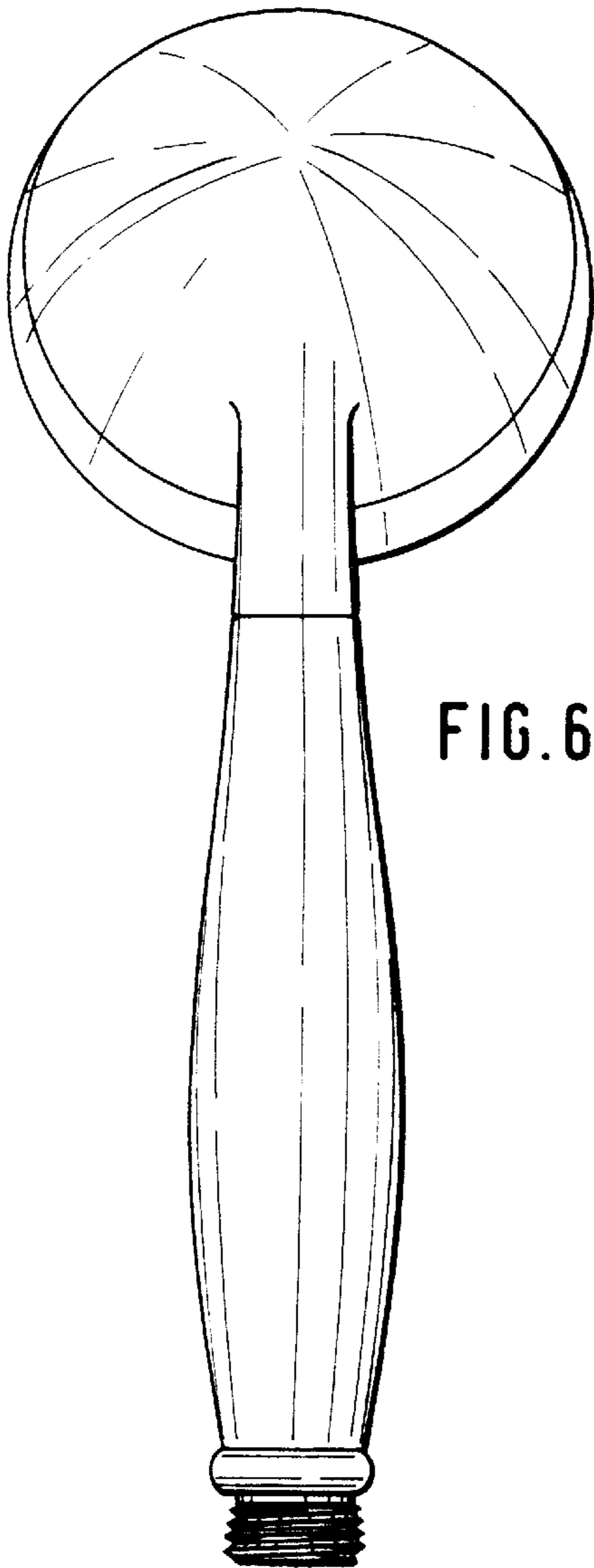


FIG. 6

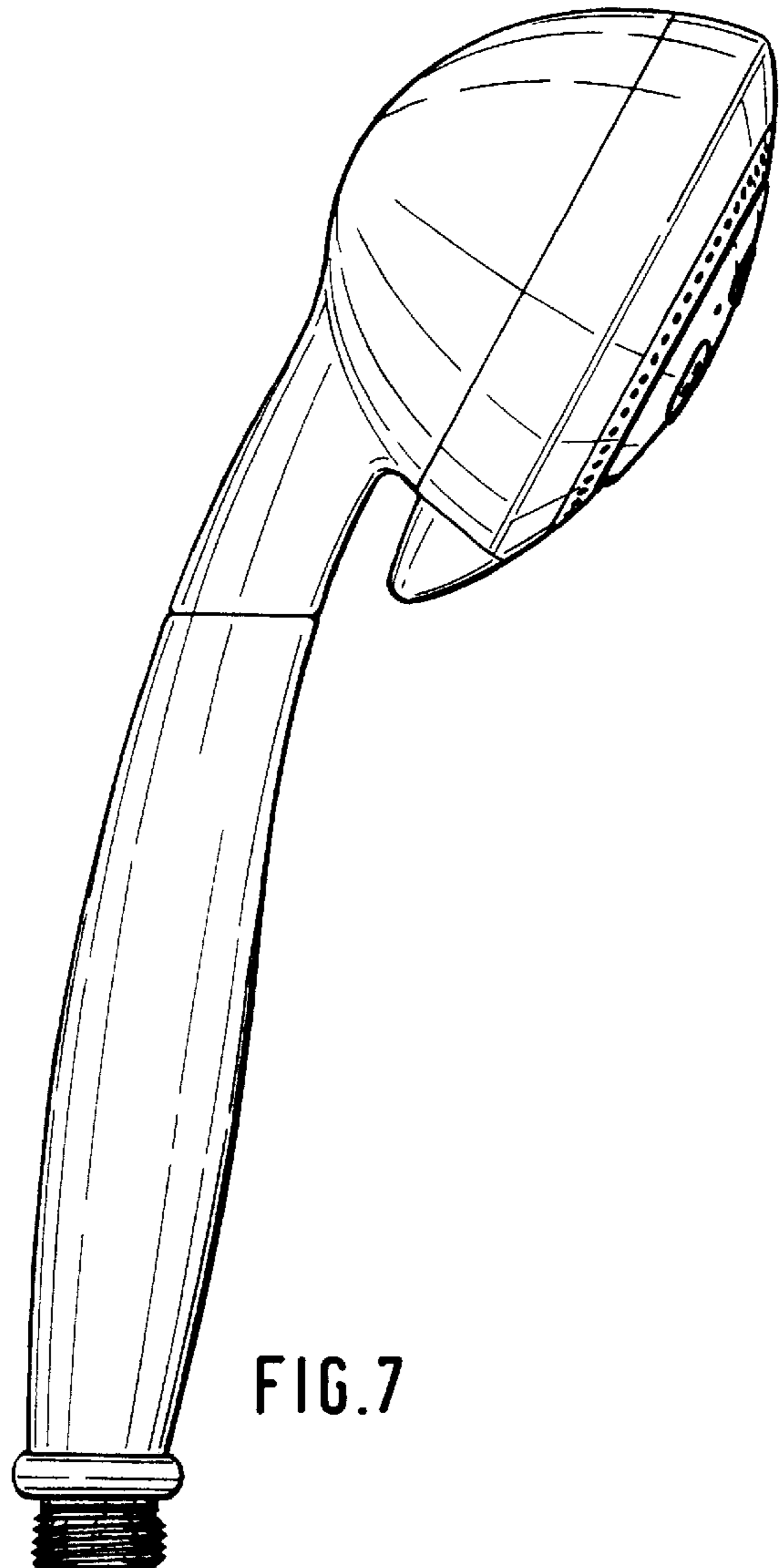


FIG. 7