



US00D424159S

United States Patent [19]

Boccarossa et al.

[11] Patent Number: Des. 424,159

[45] Date of Patent: ** May 2, 2000

[54] SPRINKLER

[75] Inventors: Sarah S. Boccarossa, Norwalk, Conn.;
Kevin C. Williams, Brooklyn, N.Y.

[73] Assignee: Wren Garden Products, Inc., South
Norwalk, Conn.

[**] Term: 14 Years

[21] Appl. No.: 29/105,888

[22] Filed: Jun. 2, 1999

[51] LOC (7) Cl. 23-01

[52] U.S. Cl. D23/214

[58] Field of Search D23/213-215,
D23/201; D11/162, 157, 160, 133, 137;
D21/402, 607; 239/556-558, 567, 17, 19

[56] References Cited

U.S. PATENT DOCUMENTS

D. 390,912	2/1998	Smith	D23/214
D. 399,916	10/1998	Wintering	D23/214
D. 403,743	1/1999	Smith	D23/214
D. 412,553	8/1999	Krueger	D23/214
D. 412,555	8/1999	Gleason	D23/214
1,758,767	5/1930	Taggart	D23/214

Primary Examiner—Robin V. Taylor
Attorney, Agent, or Firm—Ware, Fressola, Van der Sluys &
Adolphson LLP

[57] CLAIM

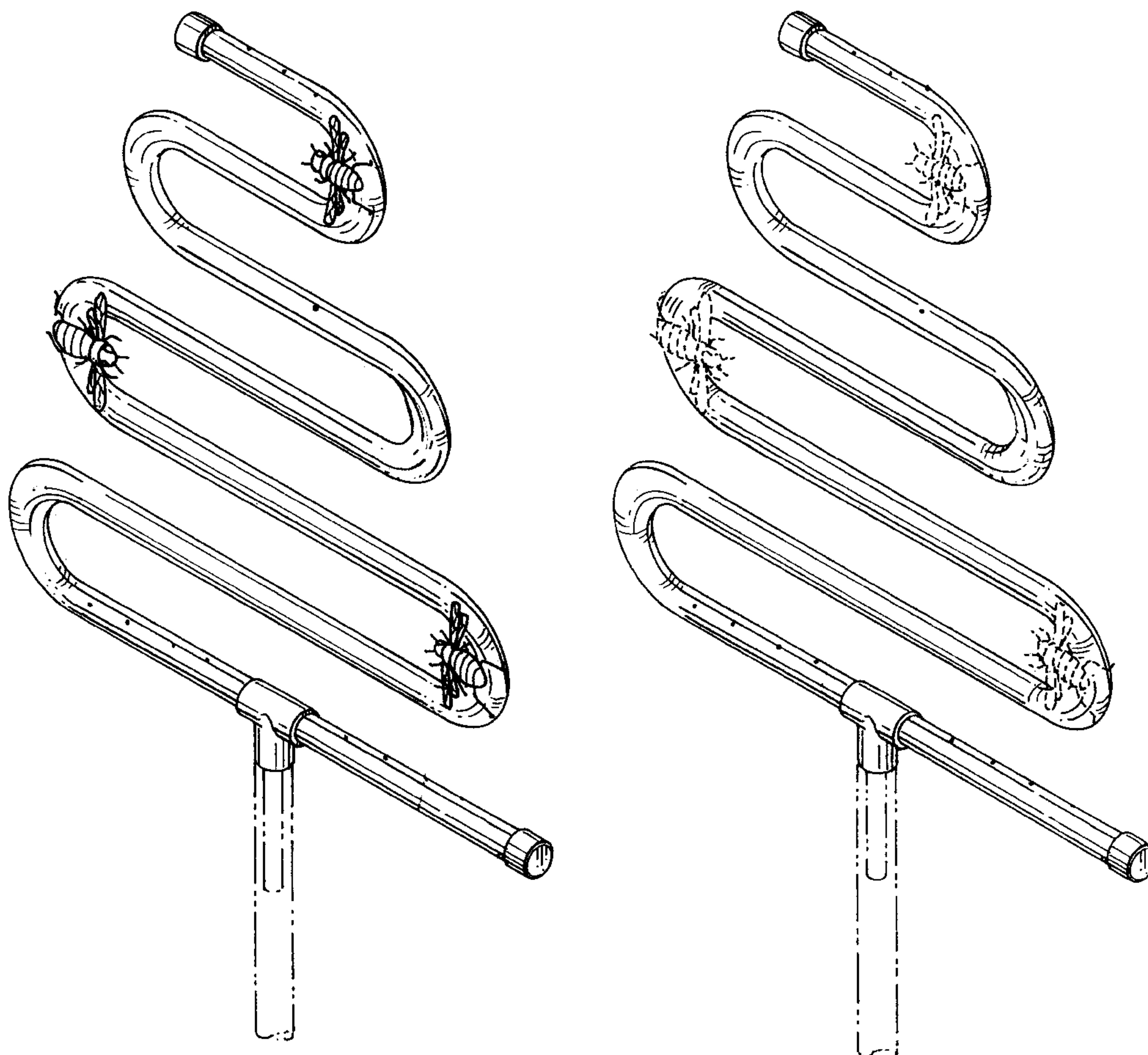
We claim the ornamental design of a sprinkler, as shown and described.

DESCRIPTION

FIG. 1 is a perspective view of the invention;
 FIG. 2 is a front view of the invention;
 FIG. 3 is a top view of the invention;
 FIG. 4 is a bottom view of the invention;
 FIG. 5 is a rear view of the invention;
 FIG. 6 is a left side view of the invention;
 FIG. 7 is a right side view of the invention;
 FIG. 8 is a perspective an alternate embodiment of the invention;
 FIG. 9 is a front view of FIG. 8;
 FIG. 10 is a top view of FIG. 8;
 FIG. 11 is a bottom view of FIG. 8;
 FIG. 12 is a rear view of FIG. 8;
 FIG. 13 is a left side view of FIG. 8; and,
 FIG. 14 is a right side view of FIG. 8.

The broken lines shown in the figures are for illustrative purposes only and form no part of the claimed design.

1 Claim, 6 Drawing Sheets



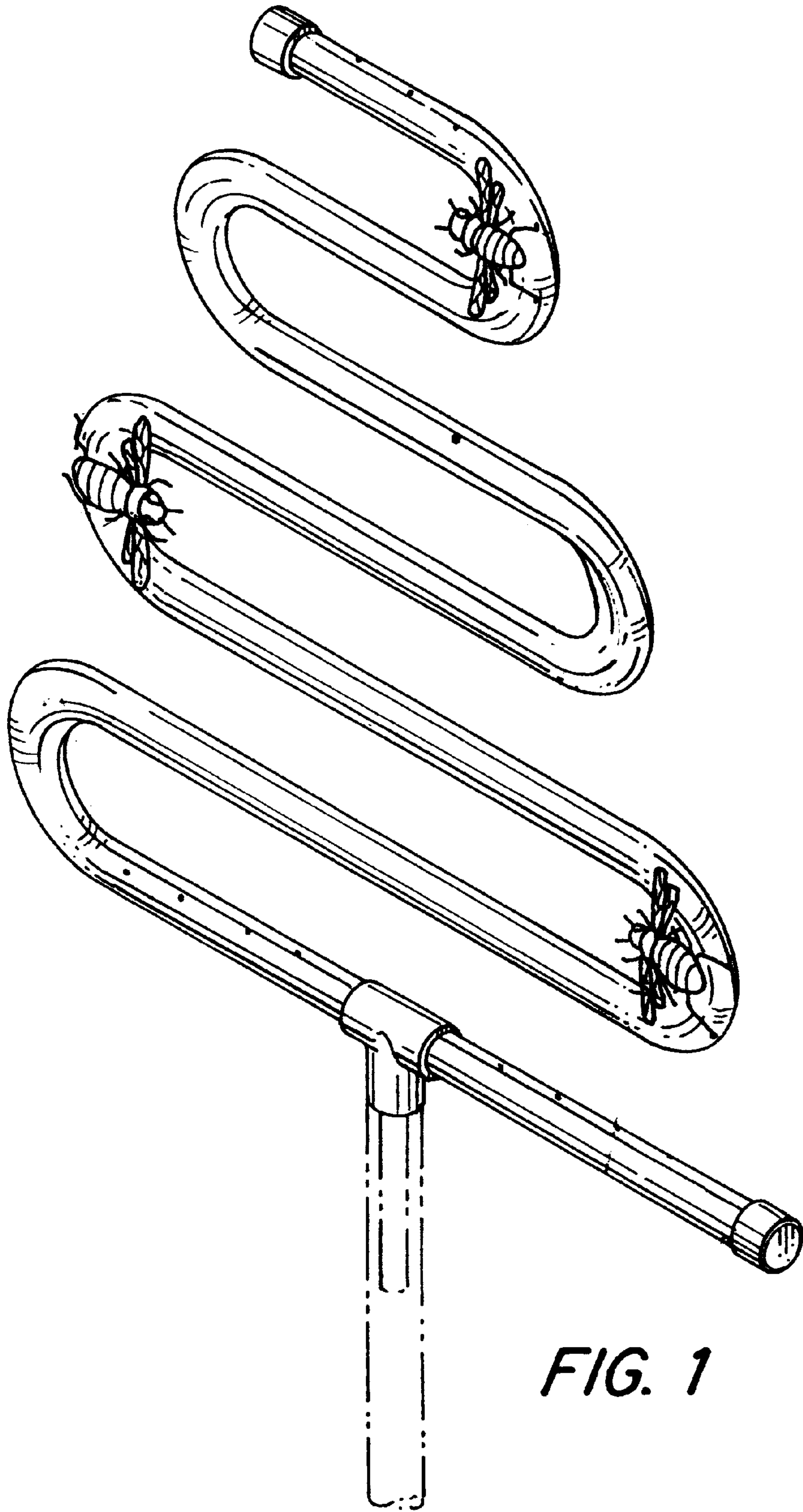


FIG. 1

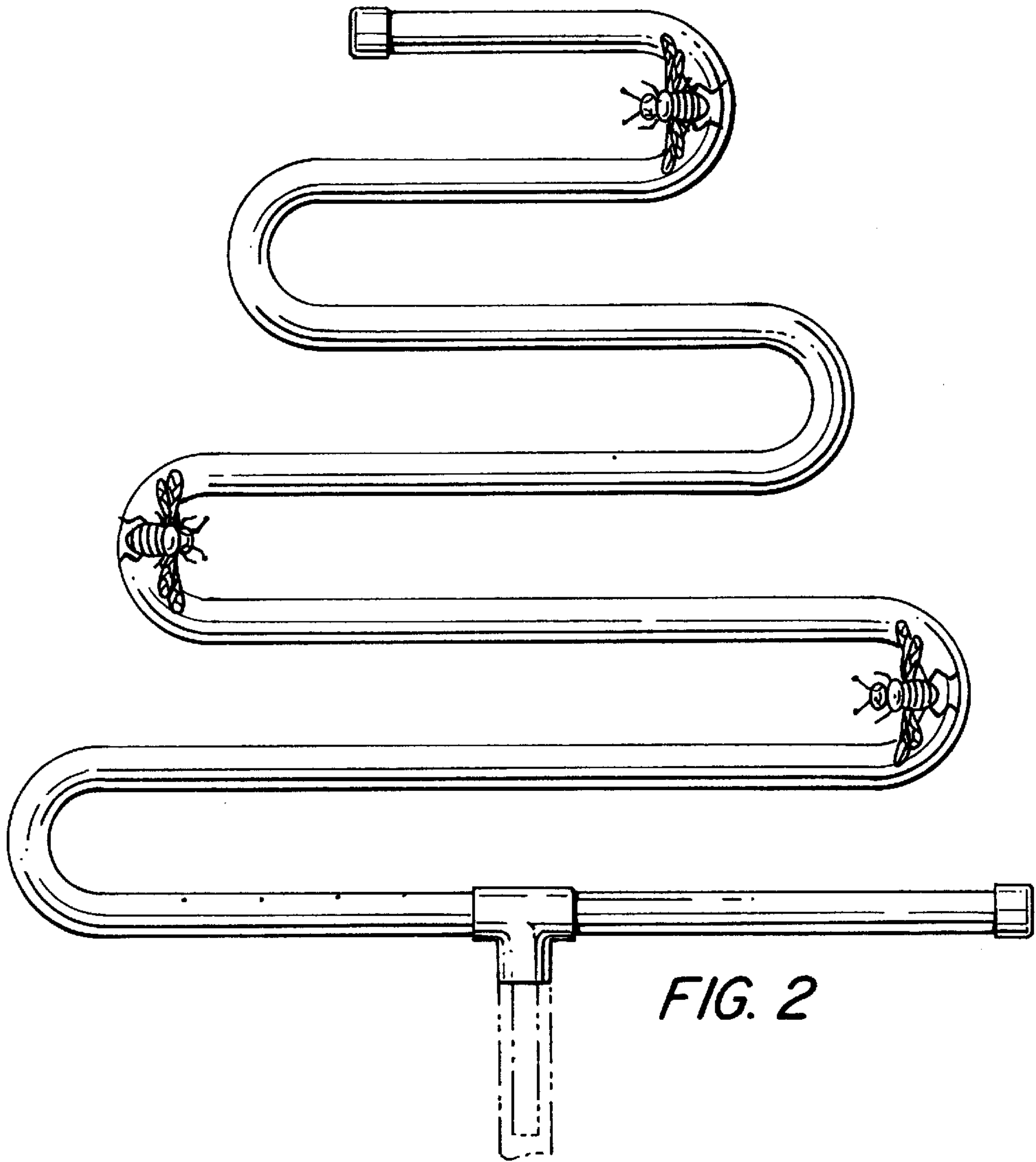


FIG. 2

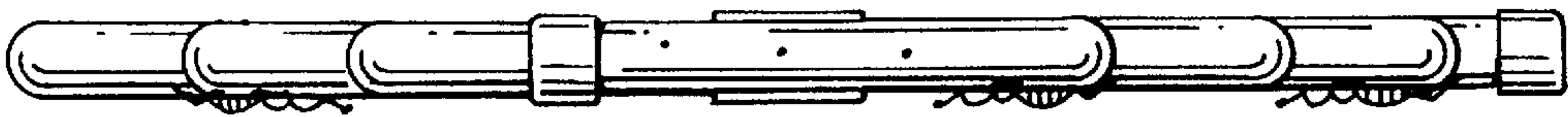


FIG. 3



FIG. 4

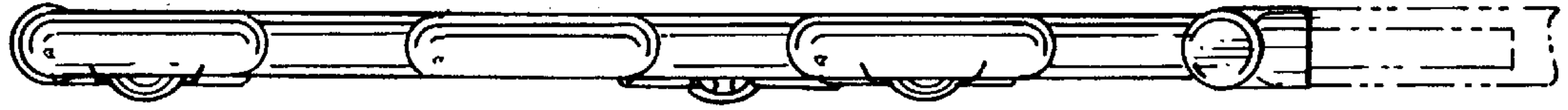


FIG. 7



FIG. 6

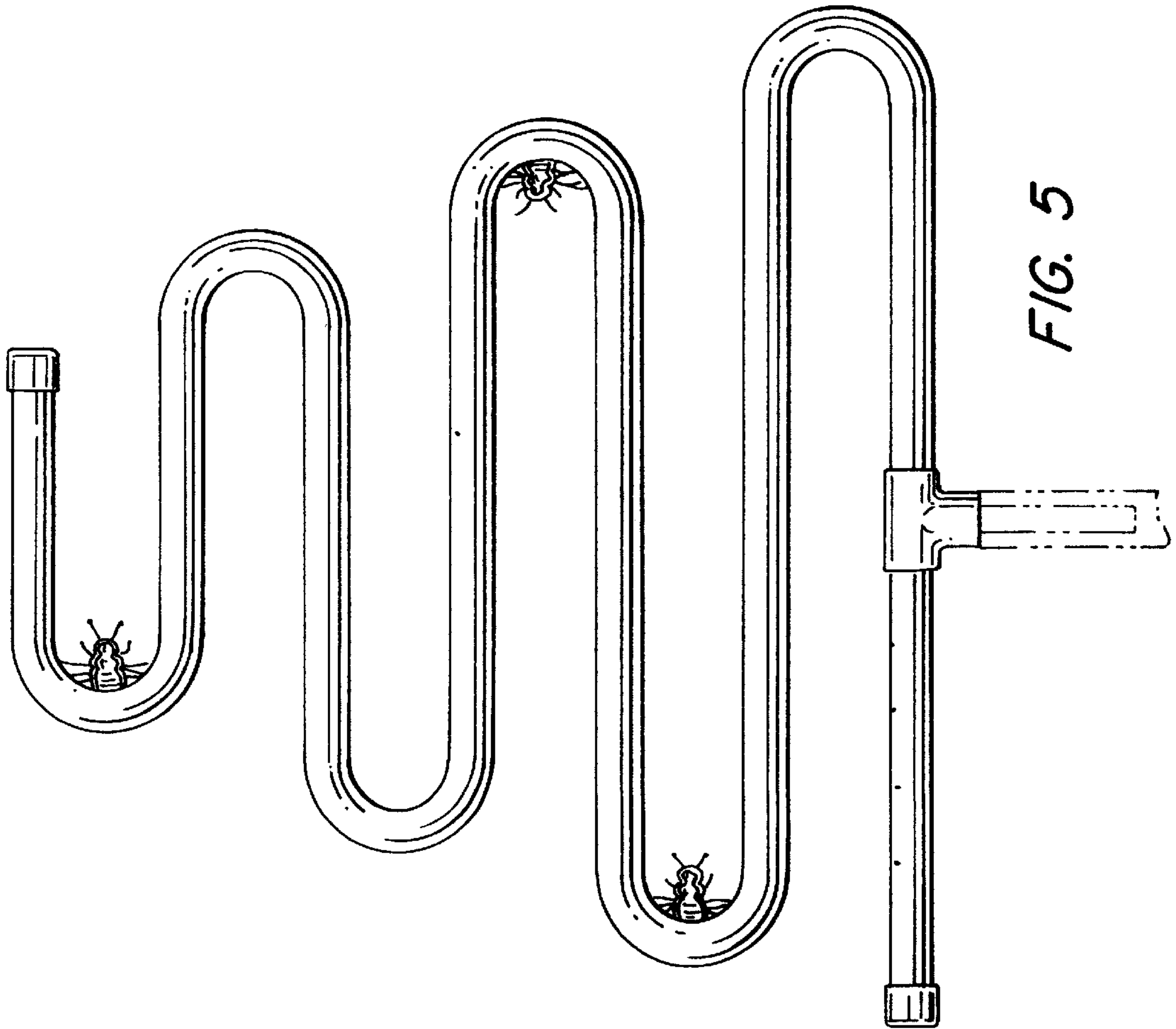


FIG. 5

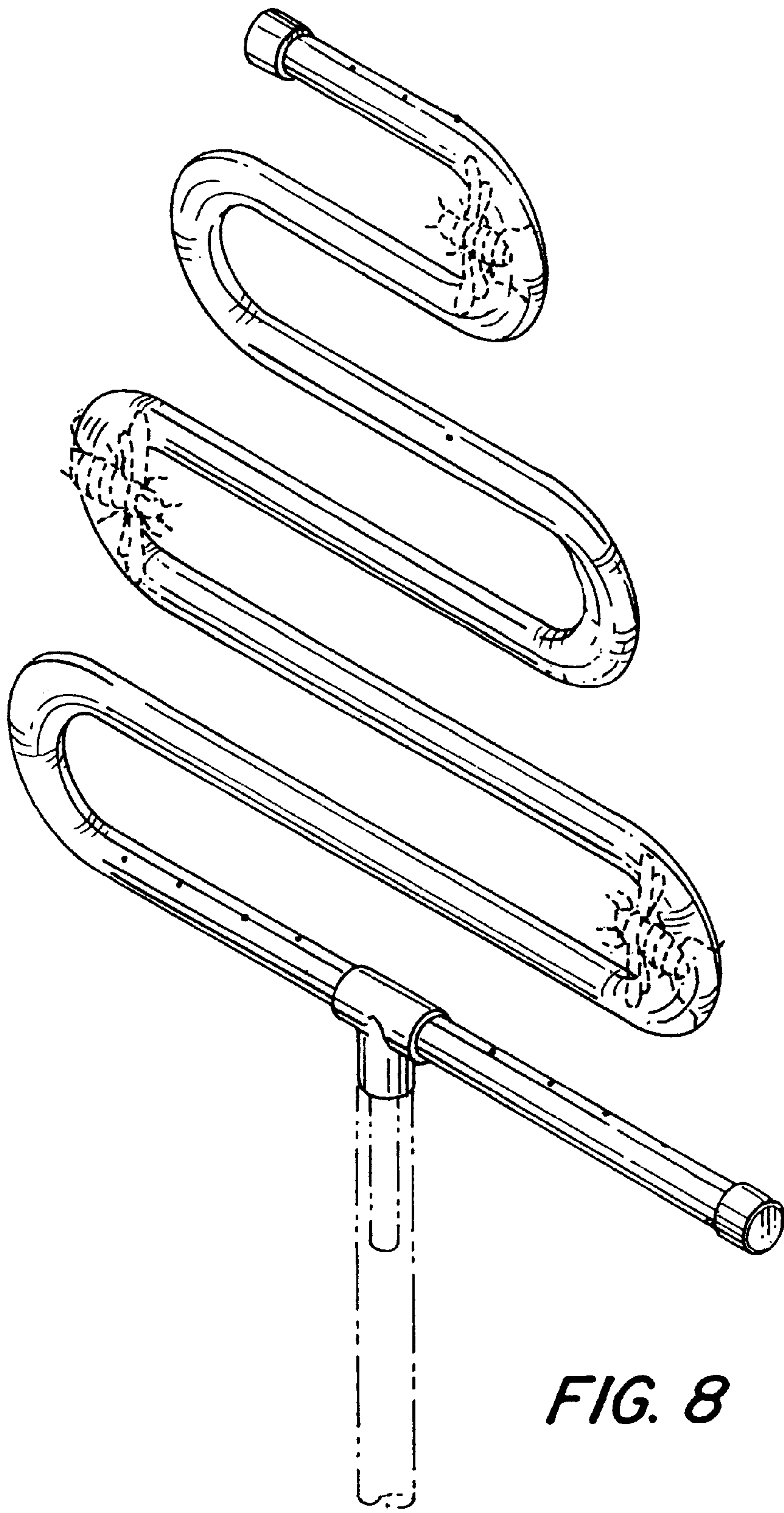
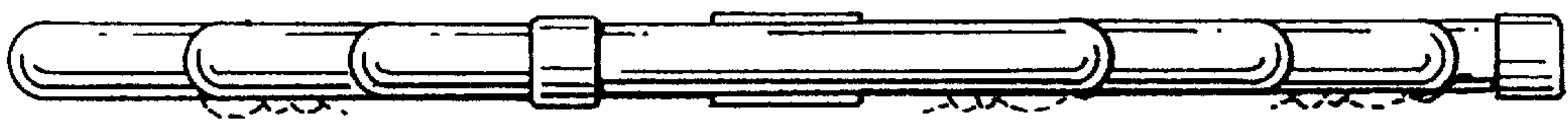
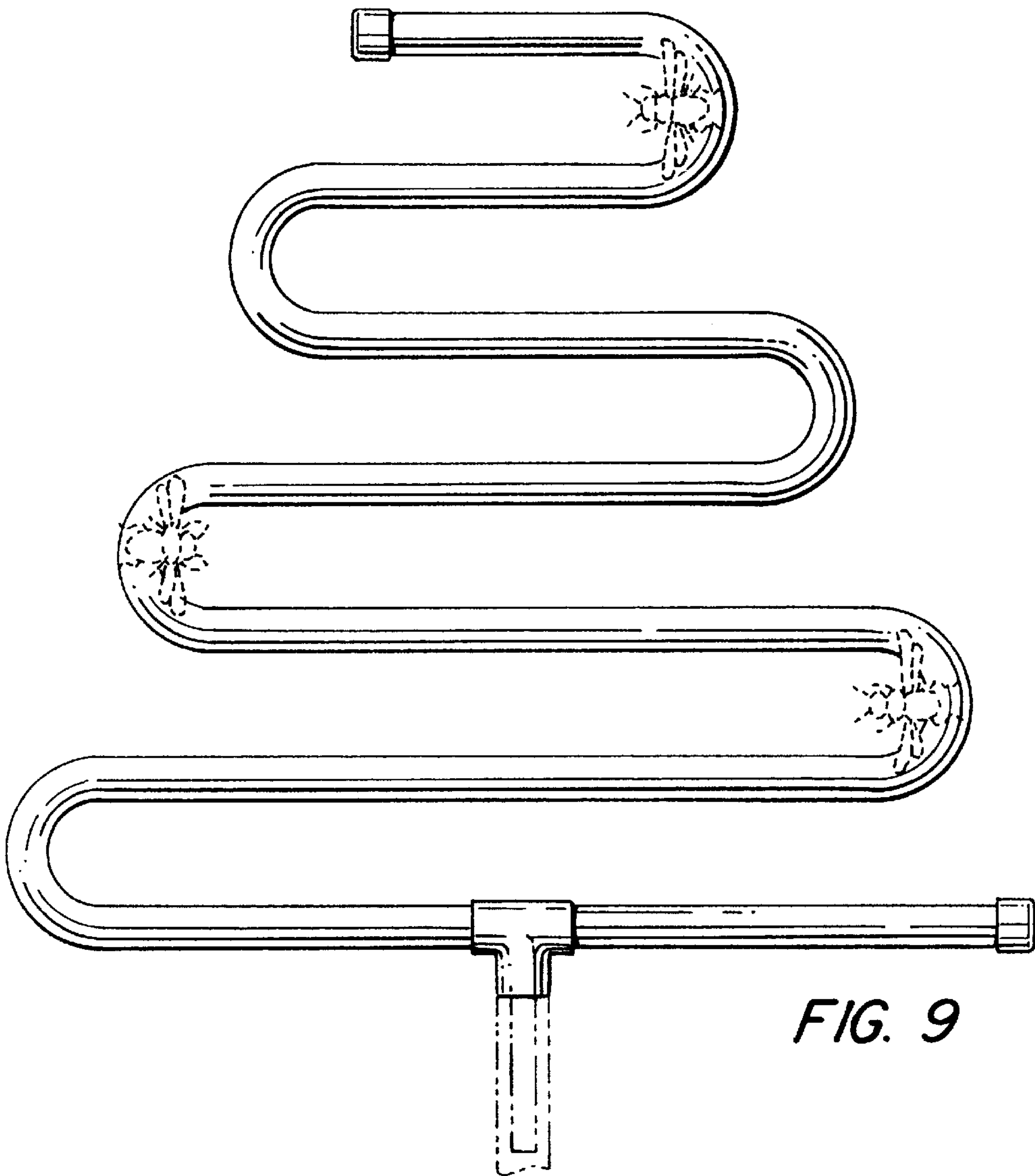


FIG. 8



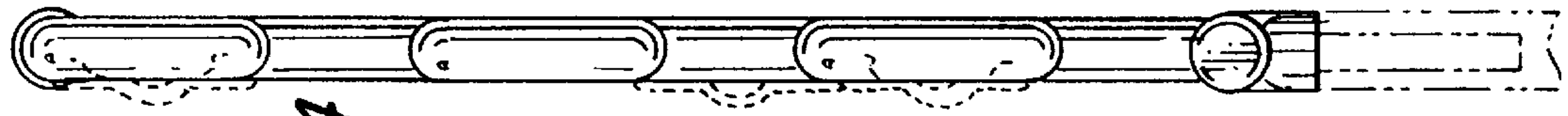


FIG. 14

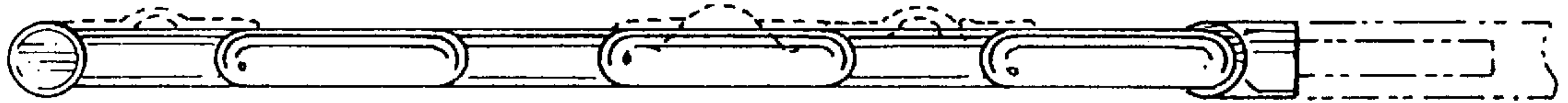


FIG. 13

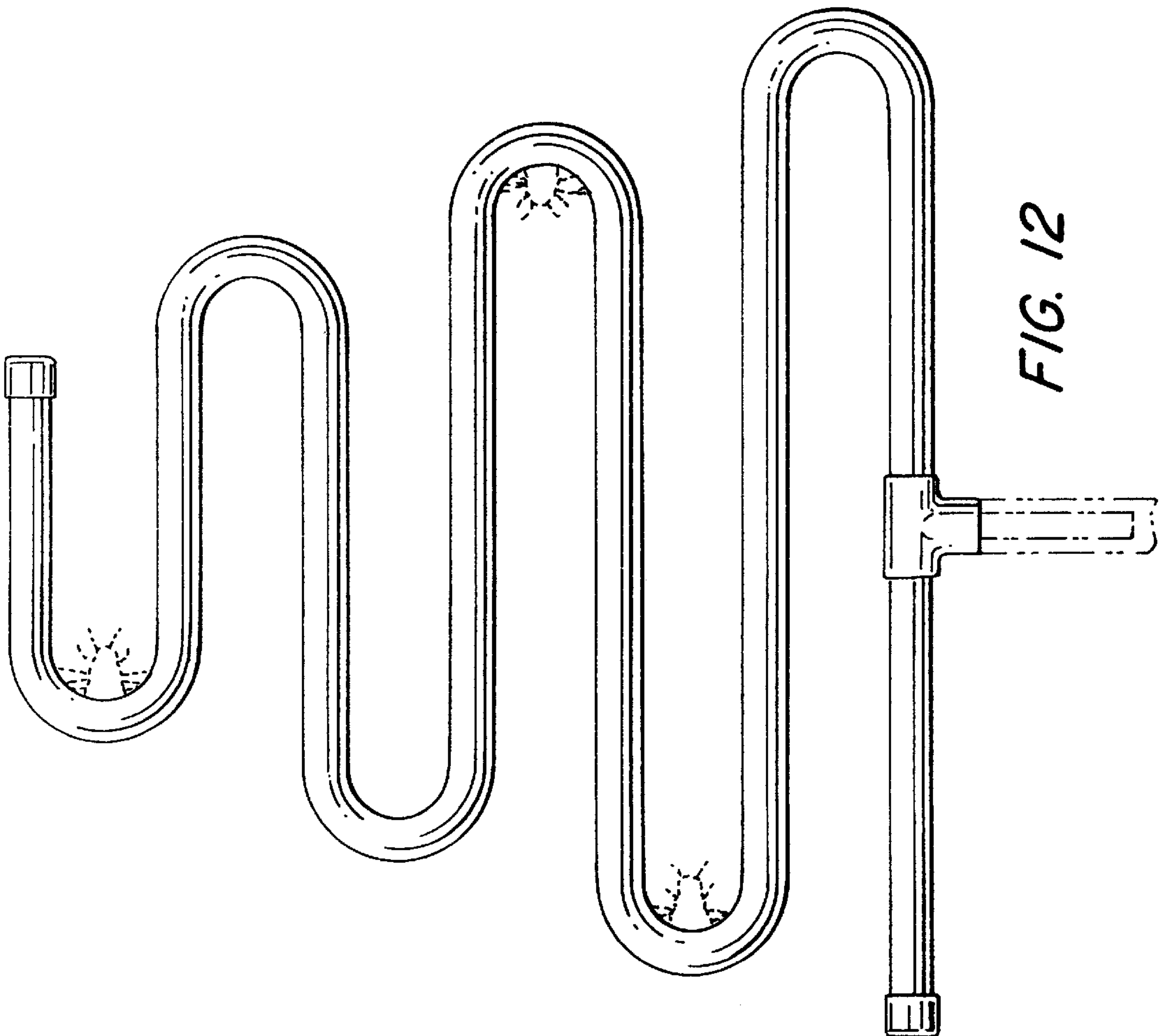


FIG. 12