



US00D424157S

# United States Patent [19] Pergard

[11] **Patent Number: Des. 424,157**

[45] **Date of Patent: \*\* May 2, 2000**

[54] **WATER PROCESSOR**

[75] Inventor: **Tomas Pergard**, Lastageplatsen 1 B,  
S-291 53 Kristianstad, Sweden

[73] Assignees: **Ewa Nilemark; Tomas Pergard**, both  
of Kristianstad, Sweden

[\*\*] Term: **14 Years**

[21] Appl. No.: **29/104,007**

[22] Filed: **Apr. 26, 1999**

[30] **Foreign Application Priority Data**

Oct. 26, 1998 [SE] Sweden ..... 98-2105

[51] **LOC (7) Cl.** ..... **23-01**

[52] **U.S. Cl.** ..... **D23/207**

[58] **Field of Search** ..... D23/200, 207,  
D23/209; D8/354; 210/222, 223; 209/223.2,  
223.1

[56] **References Cited**

**U.S. PATENT DOCUMENTS**

D. 262,306 12/1981 Carpenter ..... D23/207

D. 289,674	5/1987	Kulish .....	D23/207
4,946,590	8/1990	Hertzog .....	210/222
4,995,425	2/1991	Weisenbarger .....	210/222
5,254,247	10/1993	Kashani .....	210/222
5,411,143	5/1995	Greene .....	210/222

*Primary Examiner*—Robin V. Taylor  
*Attorney, Agent, or Firm*—Ladas & Parry

[57] **CLAIM**

The ornamental design for a water processor, as shown and described.

**DESCRIPTION**

FIG. 1 is a perspective view from above and to the left of the water processor showing my new design; FIG. 2 is a front elevational view thereof; FIG. 3 is a rear elevational view thereof; FIG. 4 is a top plan view thereof; FIG. 5 is a right side elevational view thereof, the left side view being a mirror image of the right side elevational view; and, FIG. 6 is a bottom plan view thereof.

**1 Claim, 3 Drawing Sheets**

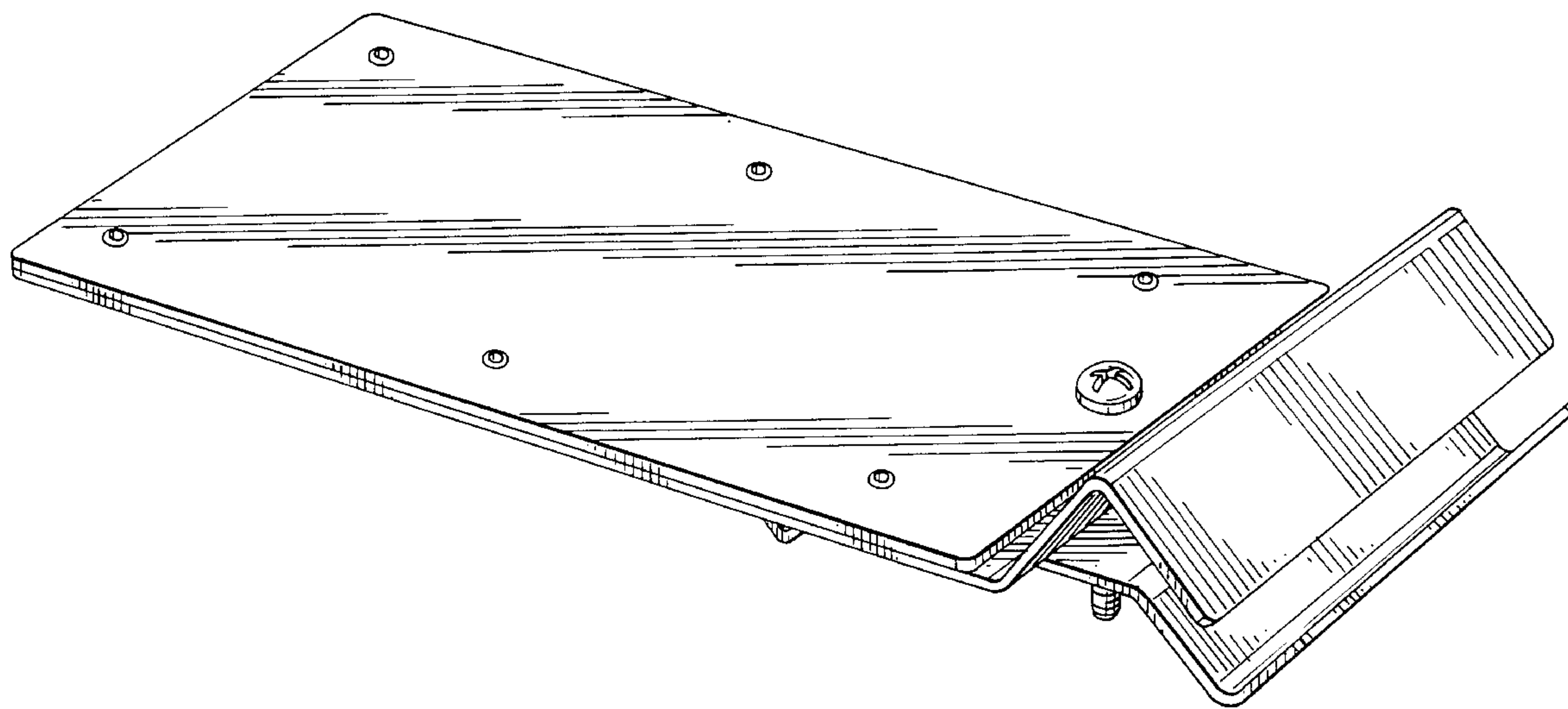


FIG. 1

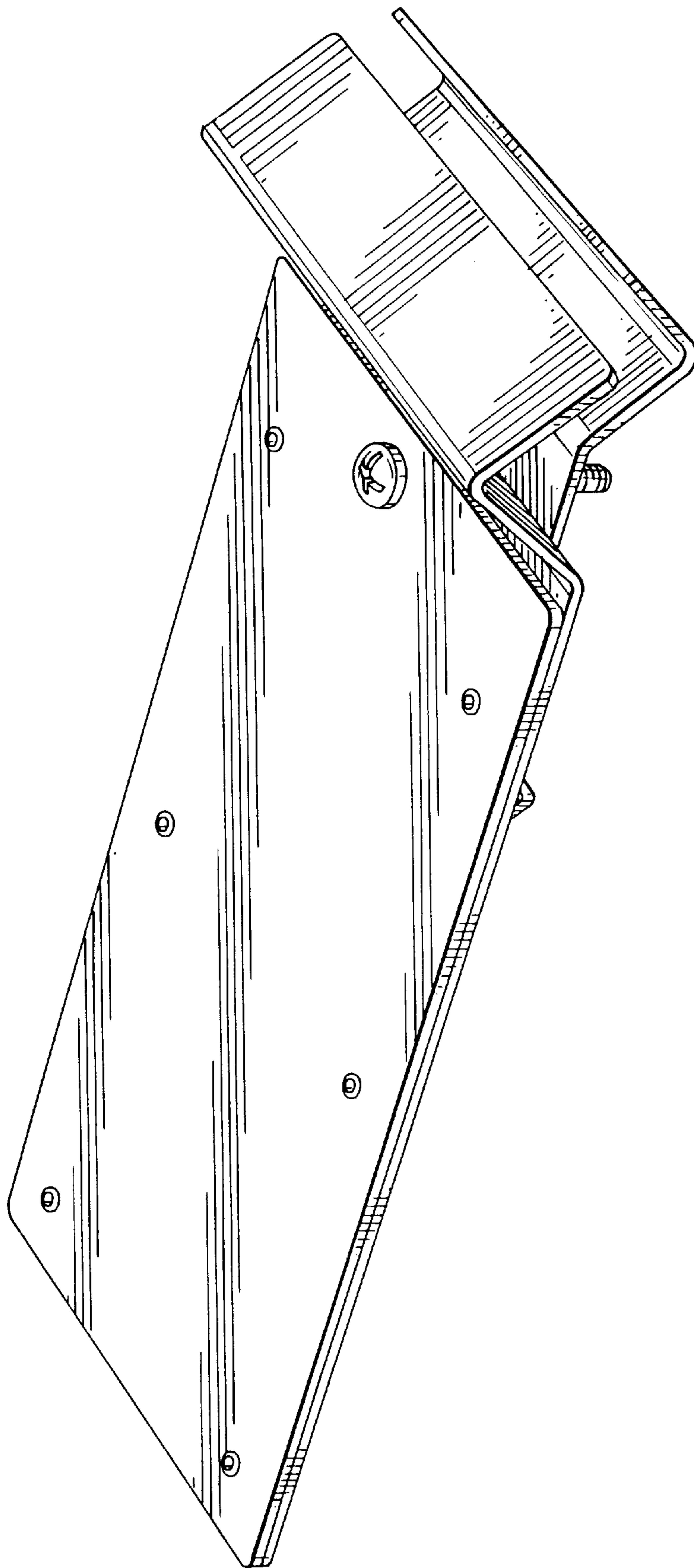


FIG. 2

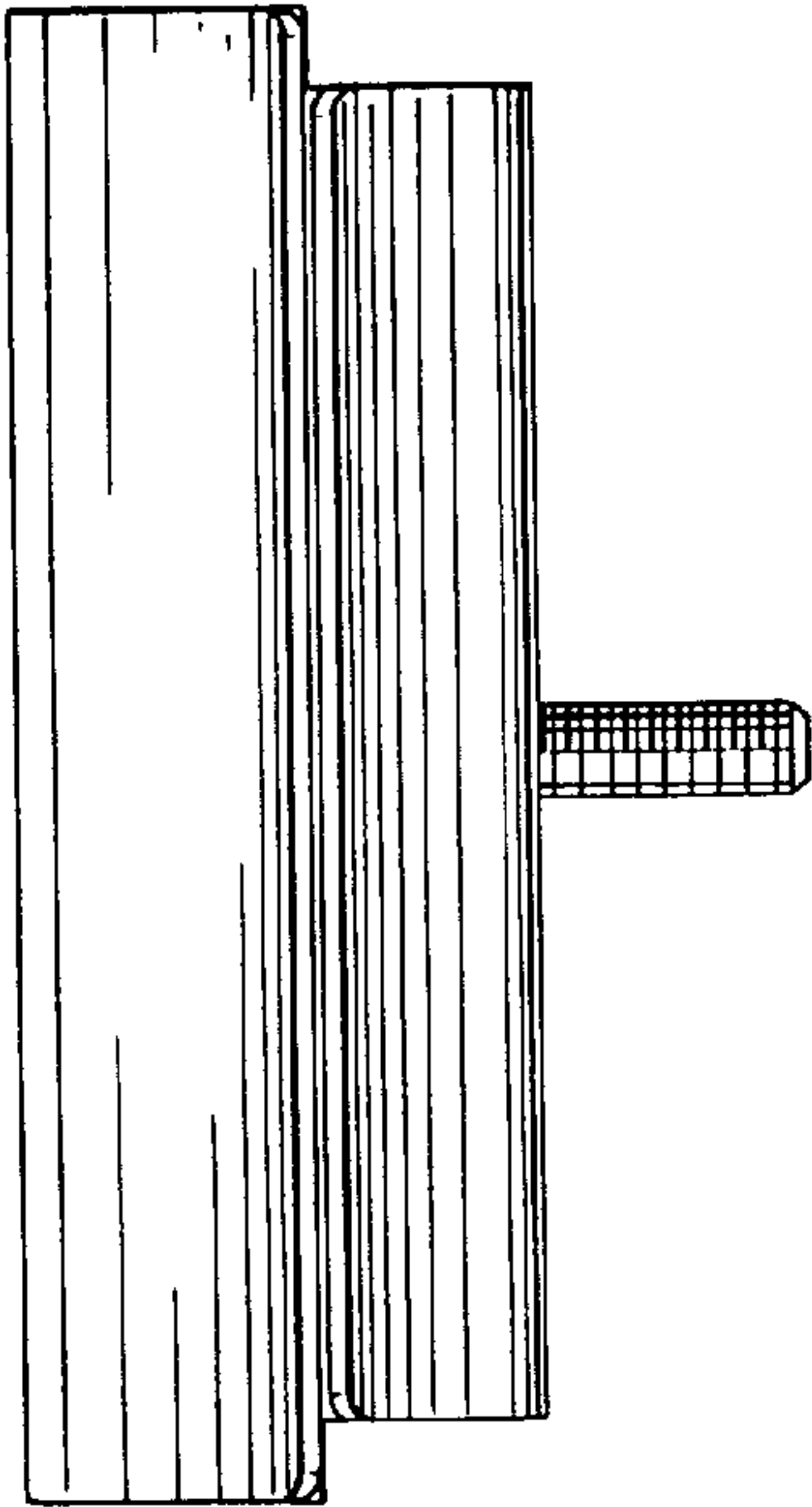


FIG. 3

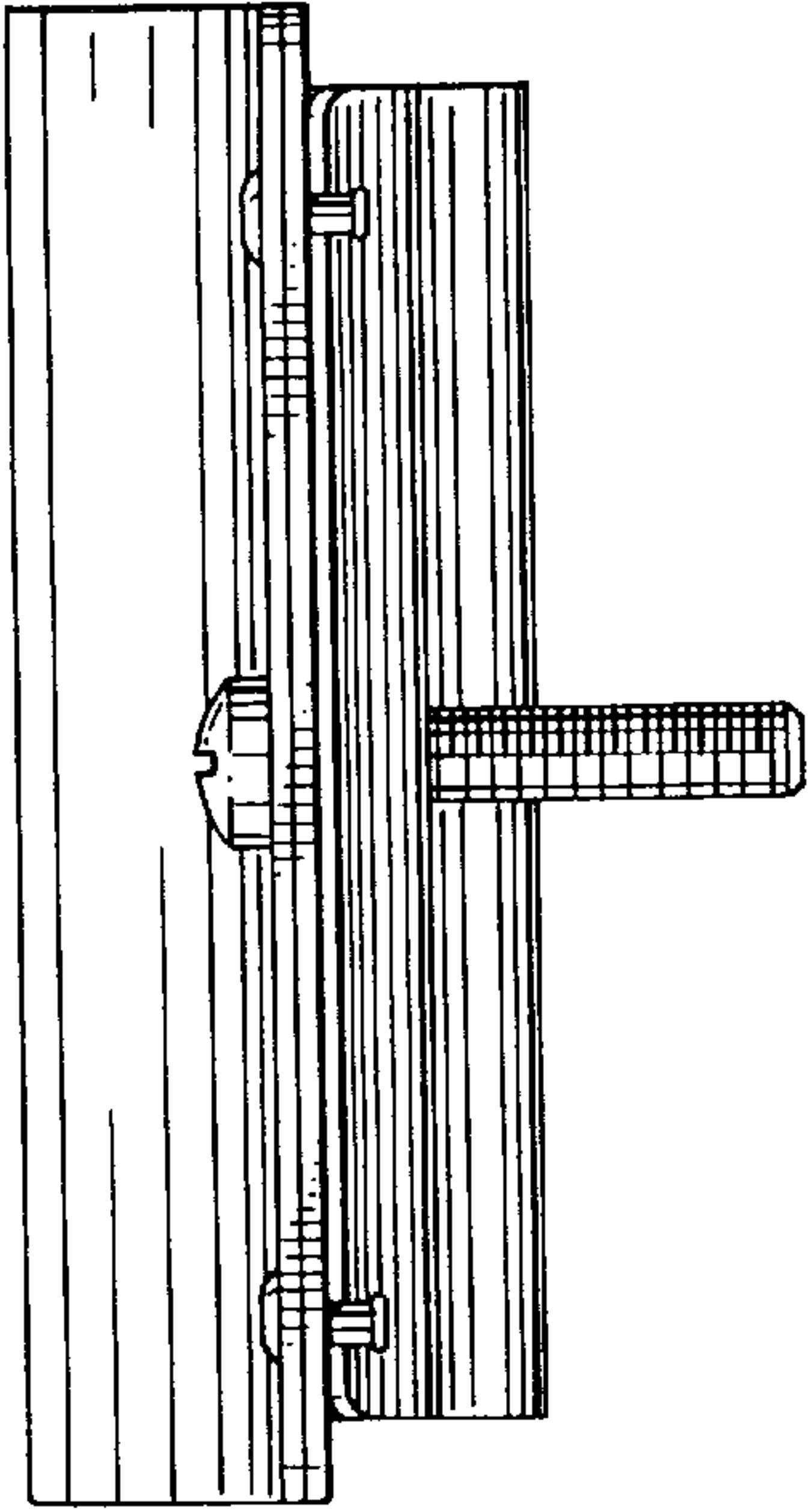


FIG. 4

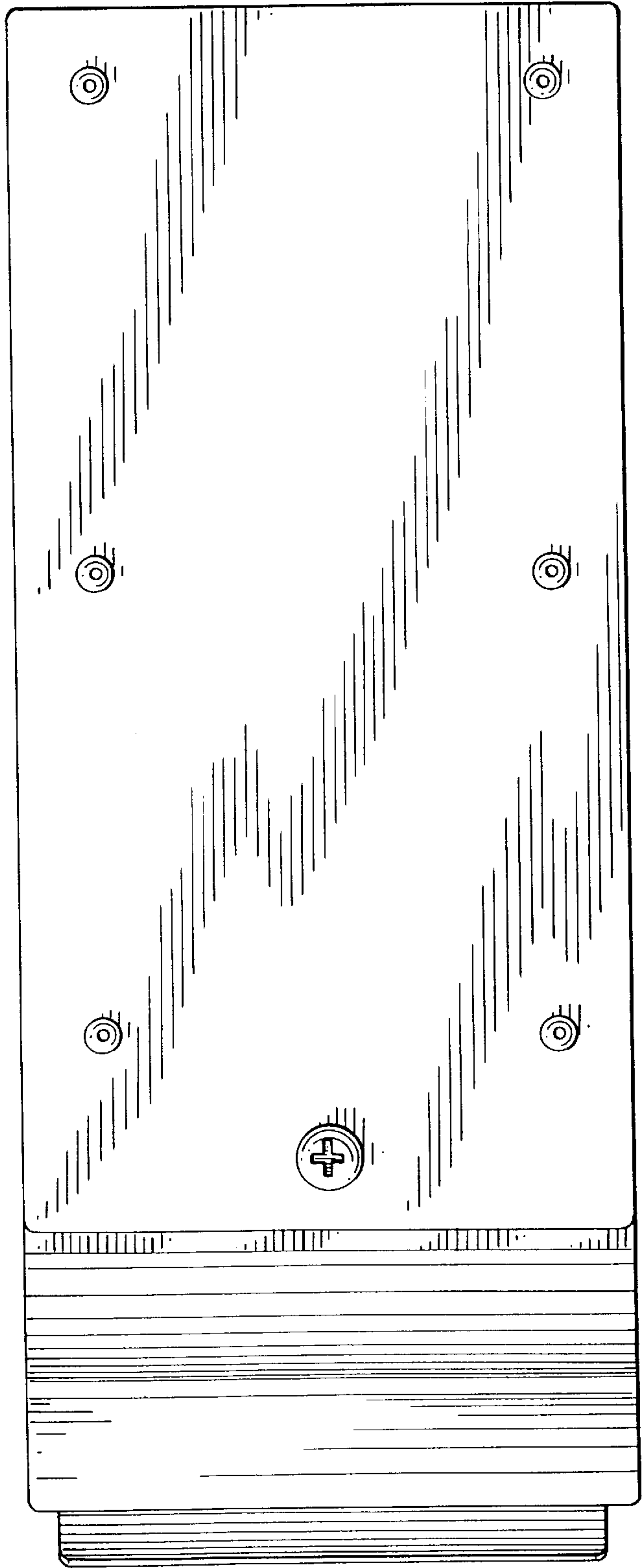


FIG. 5

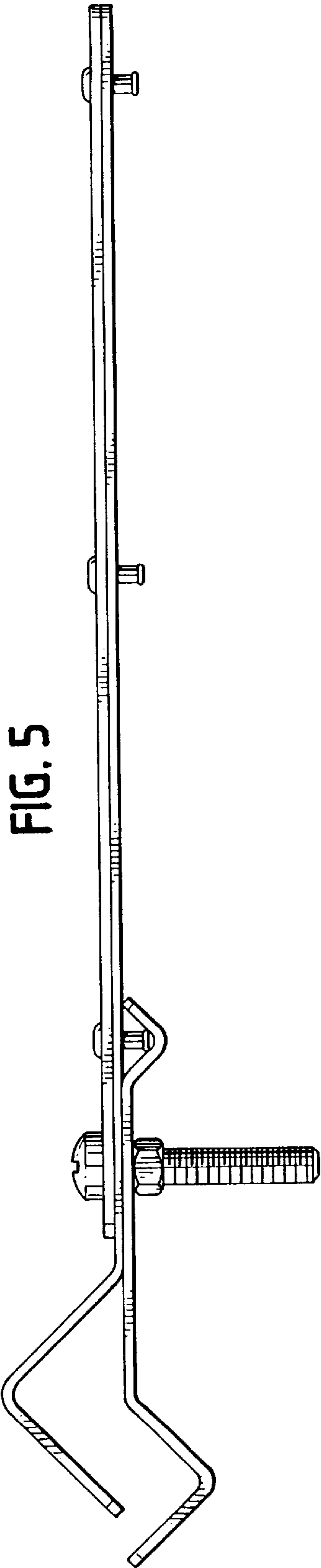


FIG. 6

