



US00D424156S

United States Patent [19]

[11] Patent Number: Des. 424,156

Fassbender et al.

[45] Date of Patent: ** May 2, 2000

[54] INDUSTRIAL OR MUNICIPAL WATER CLARIFIER

5,804,062 9/1998 Wyness 210/532.1

[75] Inventors: **John J. Fassbender**, Green Bay, Wis.; **Daniel H. Phillips**, Hinckley; **Deanna F. Young**, Geneva, both of Ill.

Primary Examiner—Robin V. Taylor
Attorney, Agent, or Firm—Marshall, O’Toole, Gerstein, Murray & Borun

[73] Assignee: **Chicago Bridge & Iron Company**, Plainfield, Ill.

[57] CLAIM

[**] Term: **14 Years**

The ornamental design for an industrial or municipal water clarifier, as shown and described.

[21] Appl. No.: **29/086,407**

[22] Filed: **Apr. 13, 1998**

DESCRIPTION

[51] **LOC (7) Cl.** **23-01**

[52] **U.S. Cl.** **D23/207; D23/202**

[58] **Field of Search** D23/200, 202, D23/203, 205, 207; 220/565, 567, 567.1; 52/194, 197; 210/513, 532.1, 535, 536

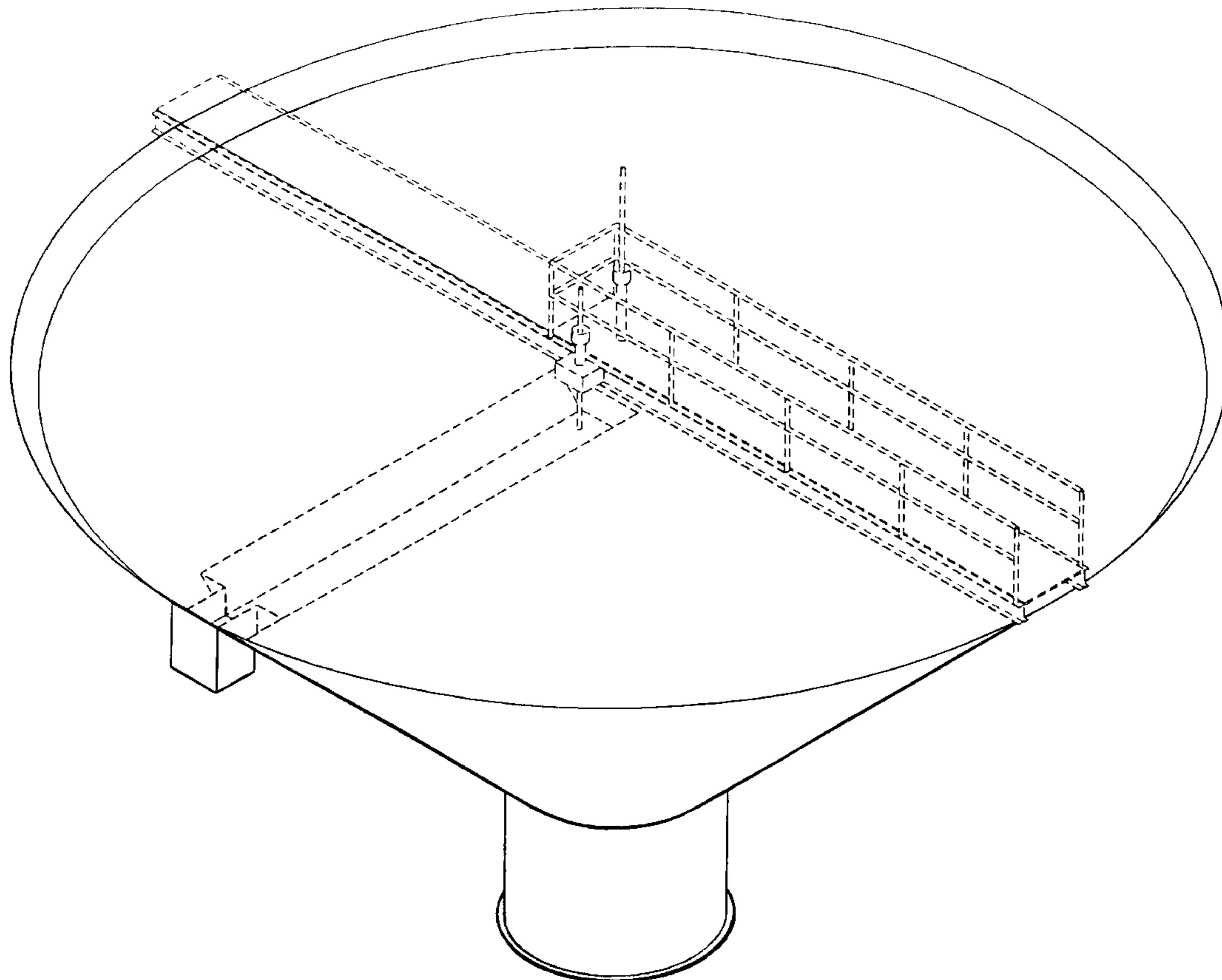
FIG. 1 is a front view of an industrial or municipal water clarifier;
FIG. 2 is a back view;
FIG. 3 is a left-side view, the right-side view being a mirror image thereof;
FIG. 4 is a top view;
FIG. 5 is a perspective view in which the clarifier is shown with a radial trough;
FIG. 6 is a perspective view in which the clarifier is shown with a peripheral trough;
FIG. 7 is a perspective view in which the clarifier is shown with a helical weir; and,
FIG. 8 is a perspective view of an alternate embodiment of the design in a clarifier utilizing multiple drop boxes.
The broken lines in the figures indicate possible types of observation decks and troughs or weirs that may be used with but do not form part of the design as claimed.

[56] References Cited

U.S. PATENT DOCUMENTS

D. 227,238	6/1973	Wheeler	D23/202
1,890,712	12/1932	Zeitz	210/532.1
1,895,468	1/1933	Maclennan	210/532.1
1,908,102	5/1933	Arledter	210/536
2,071,320	2/1937	Coberly	210/513
3,173,866	3/1965	Lefton et al.	210/532.1
4,341,643	7/1982	Brodoff	210/532.1

1 Claim, 8 Drawing Sheets



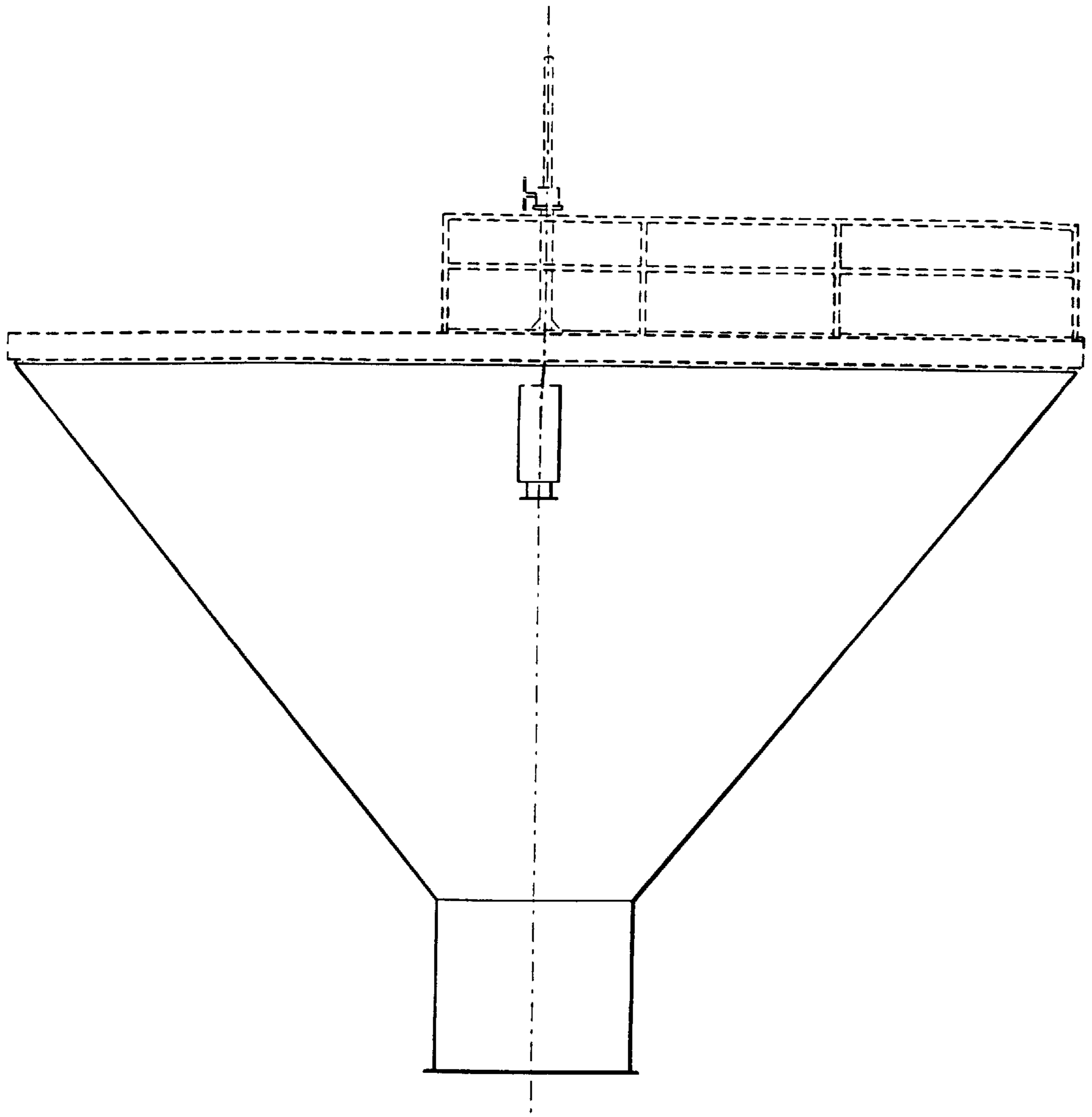


FIG. 1

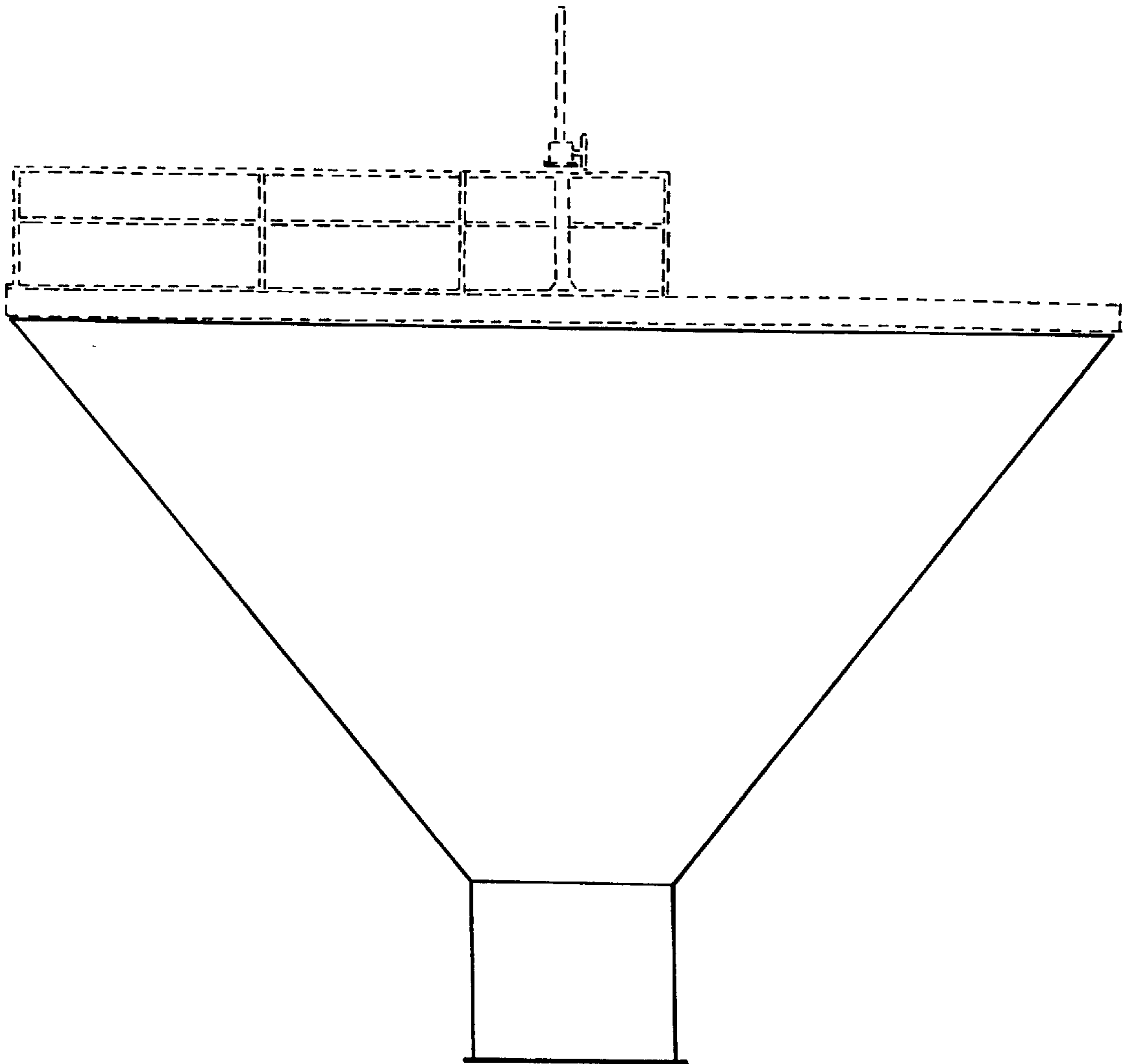


FIG. 2

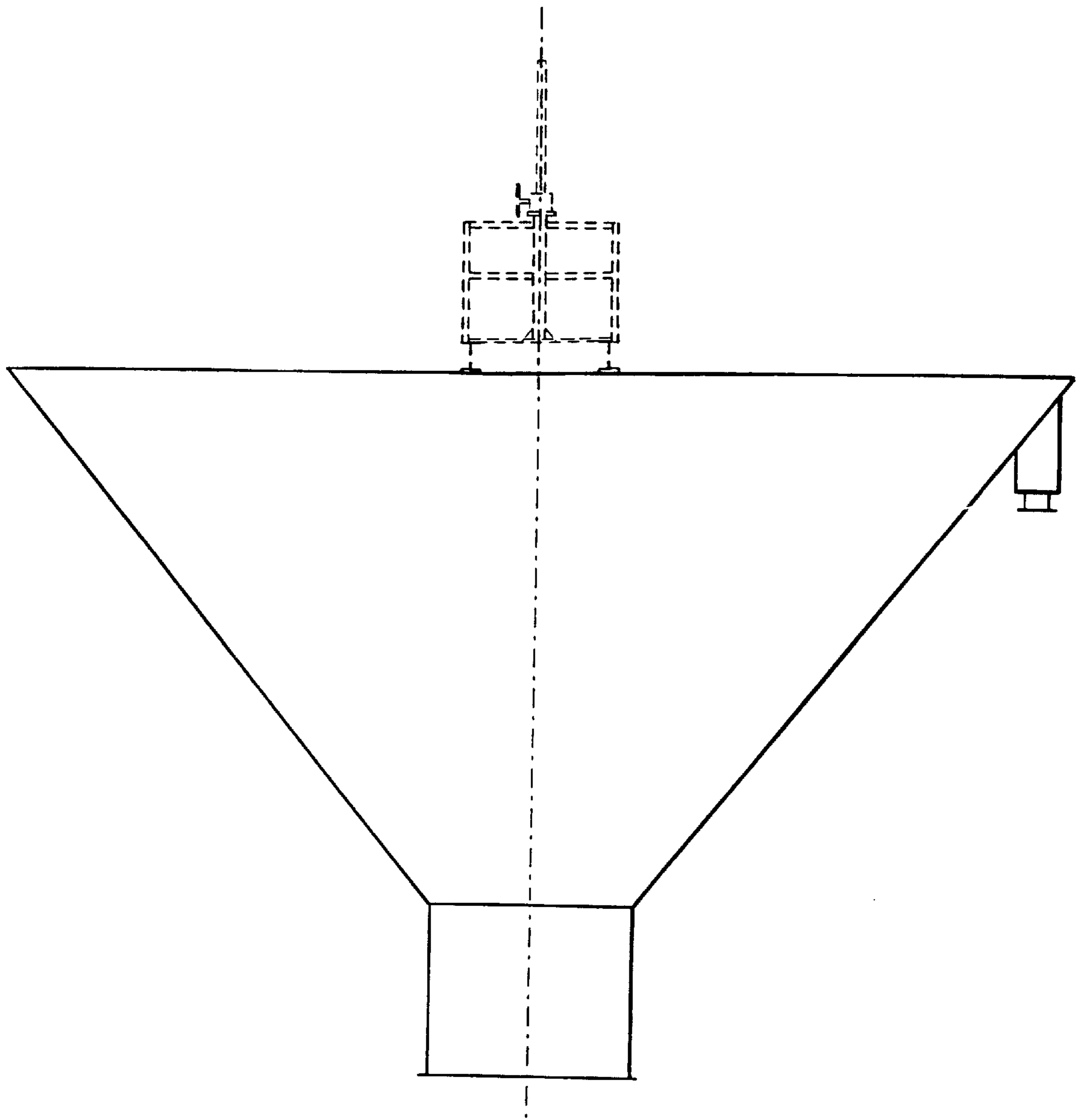


FIG. 3

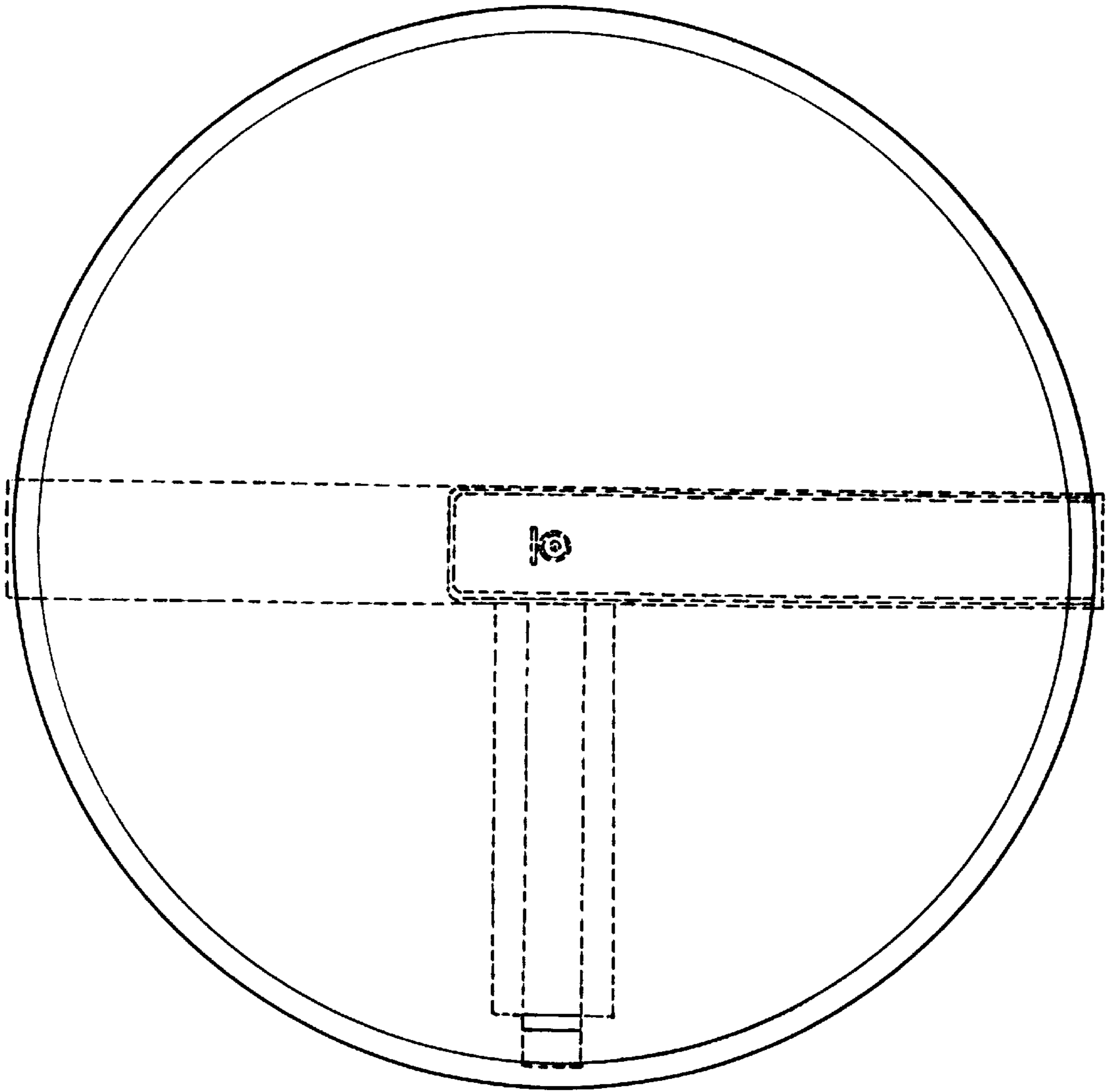


FIG. 4

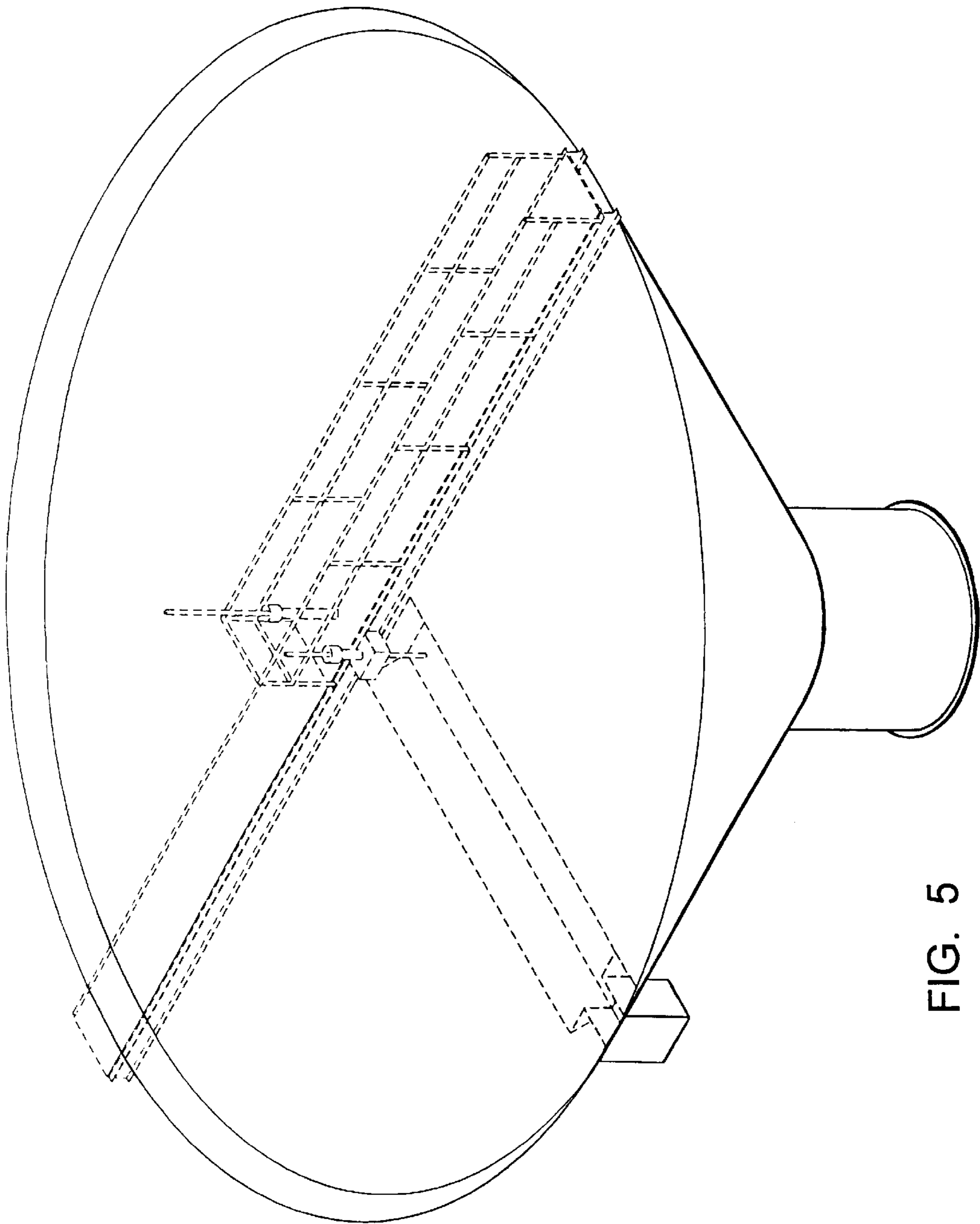


FIG. 5

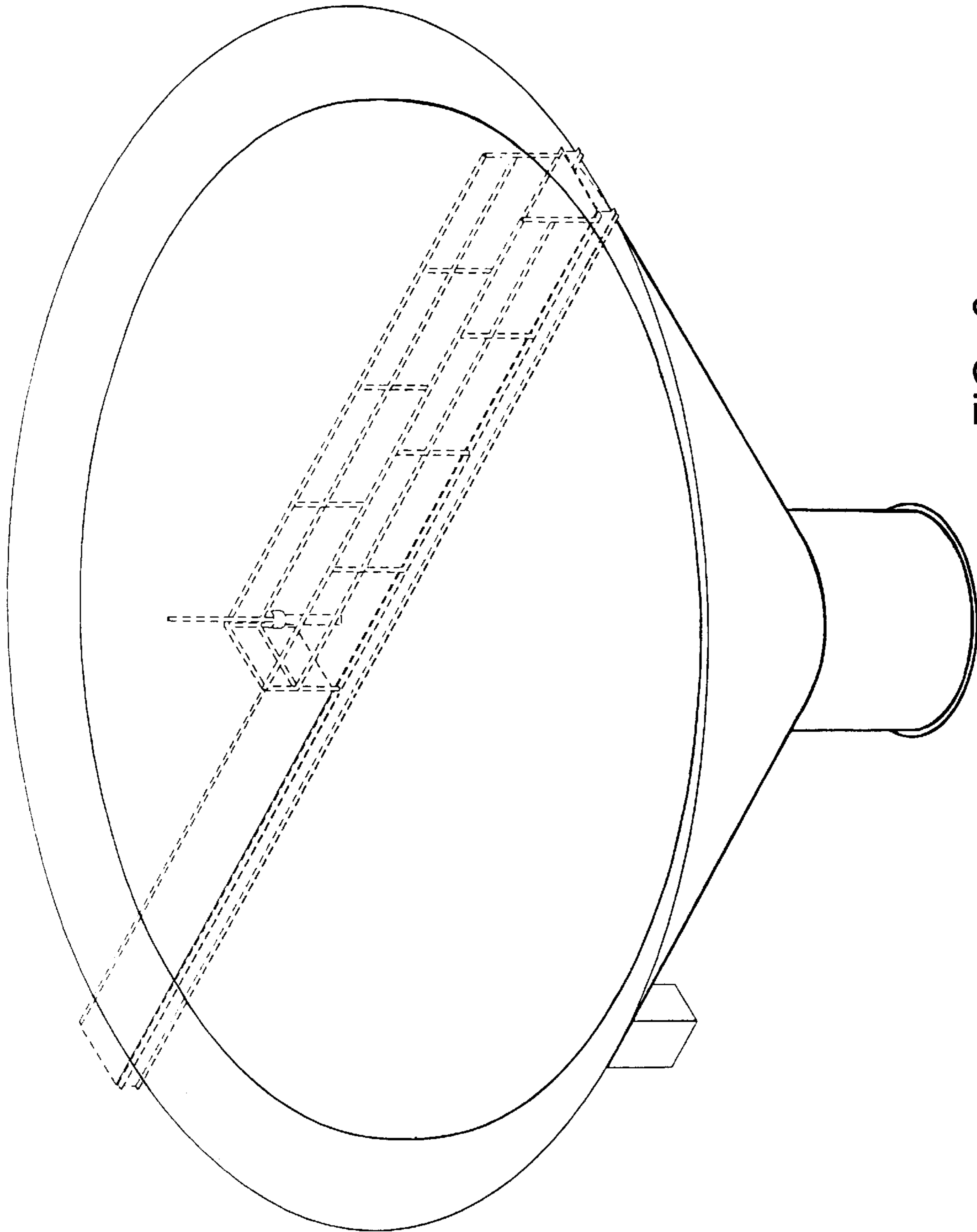


FIG. 6

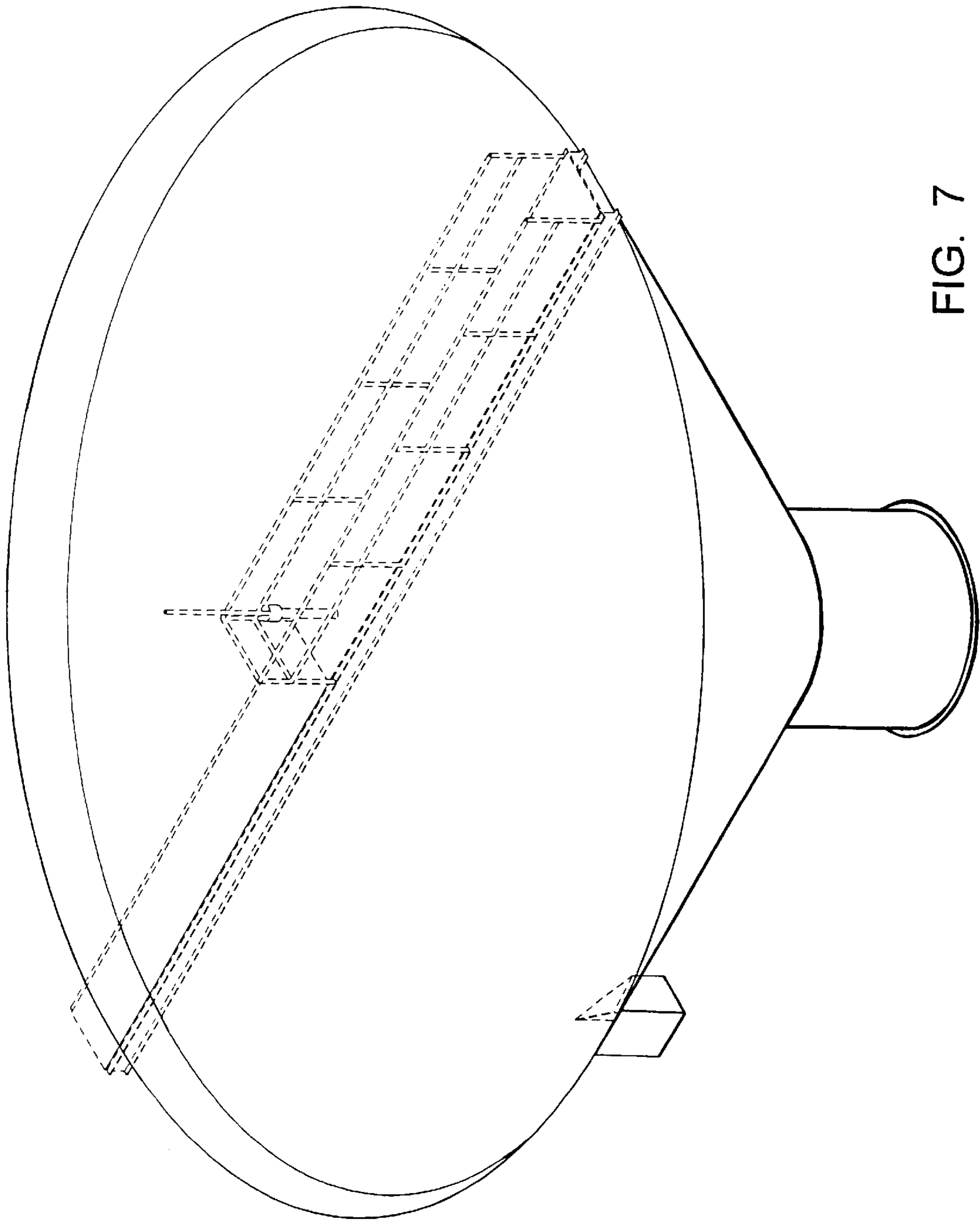


FIG. 7

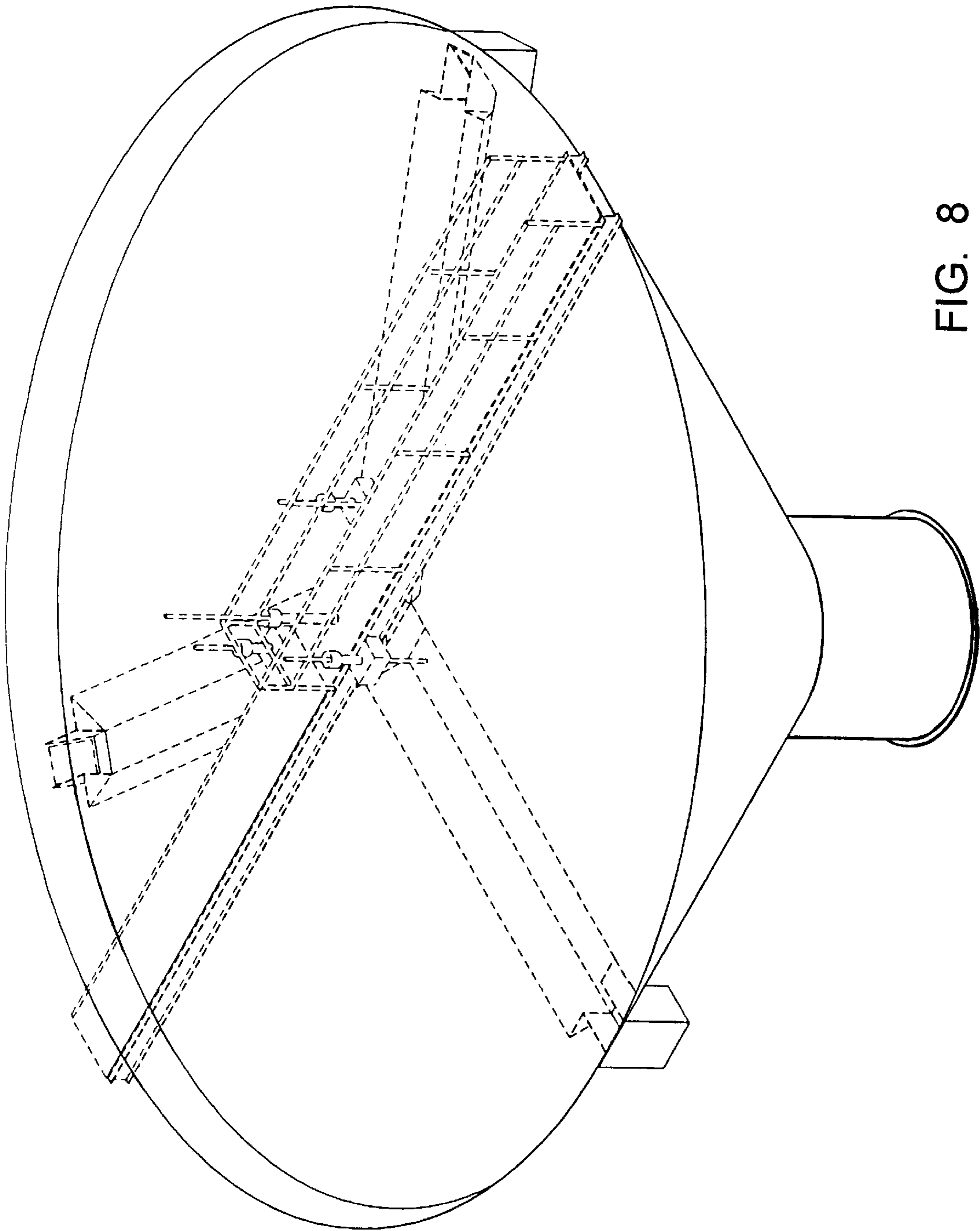


FIG. 8