



US00D424155S

United States Patent [19]
Lidmar

[11] **Patent Number: Des. 424,155**

[45] **Date of Patent: ** May 2, 2000**

[54] **CONNECTOR UNIT**

[75] Inventor: **Anneli Lidmar**, Nora, Sweden

[73] Assignee: **Dyno Nobel Sweden AB**, Nora, Sweden

[**] Term: **14 Years**

[21] Appl. No.: **29/104,377**

[22] Filed: **May 4, 1999**

[30] **Foreign Application Priority Data**

Feb. 18, 1999 [SE] Sweden 99-0342

[51] **LOC (7) Cl.** **22-03**

[52] **U.S. Cl.** **D22/112; D22/100; D22/199**

[58] **Field of Search** **D22/100, 112, D22/199; 102/275.12, 275.2, 275.4, 275.7**

[56] **References Cited**

U.S. PATENT DOCUMENTS

D. 407,789	4/1999	Holmberg et al.	D22/112
5,299,500	4/1994	Lindquist et al.	102/275.12
5,398,611	3/1995	Michna et al.	102/275.7
5,423,263	6/1995	Rontey et al.	102/275.12

5,703,319	12/1997	Fritz et al.	102/275.7
5,703,320	12/1997	Lucca et al.	102/275.7
5,792,975	8/1998	Tseka et al.	102/275.7

Primary Examiner—Louis S. Zarfes
Assistant Examiner—Monica A. Weingart
Attorney, Agent, or Firm—Burns, Doane, Swecker & Mathis, L.L.P.

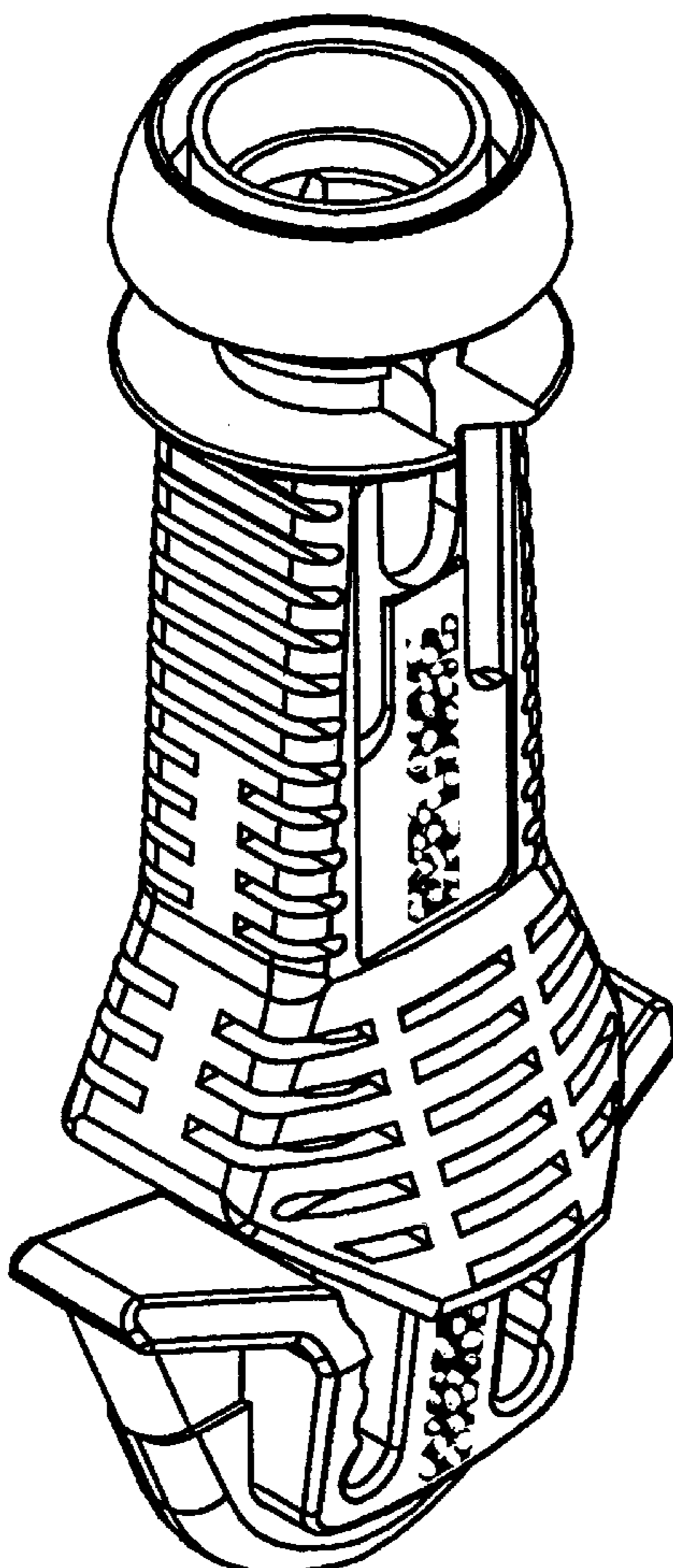
[57] **CLAIM**

The ornamental design for a connector unit, as shown and described.

DESCRIPTION

FIG. 1 is a top, front perspective view of a connector unit showing my new design;
FIG. 2 is a bottom, rear perspective view thereof;
FIG. 3 is a front elevational view thereof;
FIG. 4 is a rear elevational thereof;
FIG. 5 is a side elevational view thereof, the other side being a mirror image;
FIG. 6 is a top plan view thereof; and,
FIG. 7 is a bottom view thereof.
The broken line showing of written text is for illustrative purposes only and forms no part of the claimed design.

1 Claim, 2 Drawing Sheets



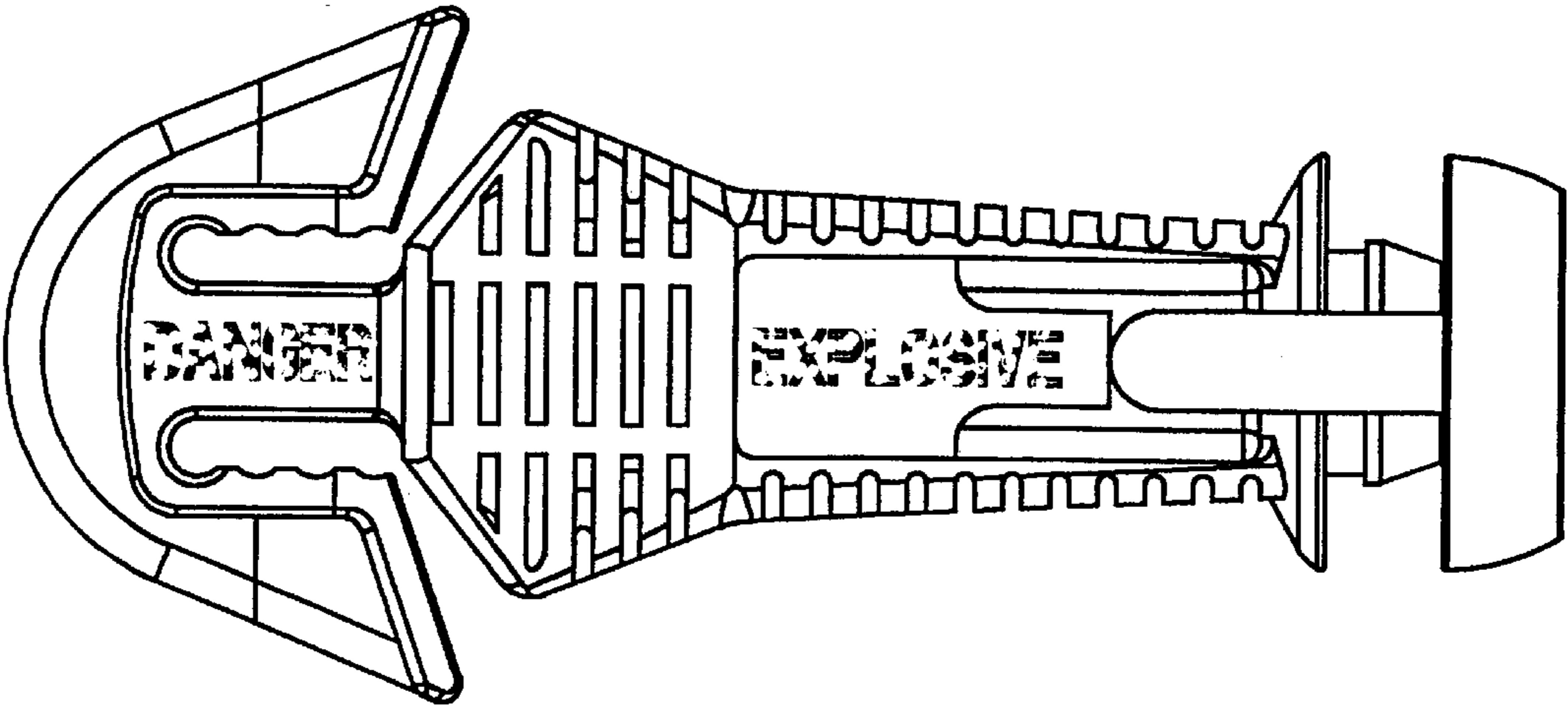


FIG. 3

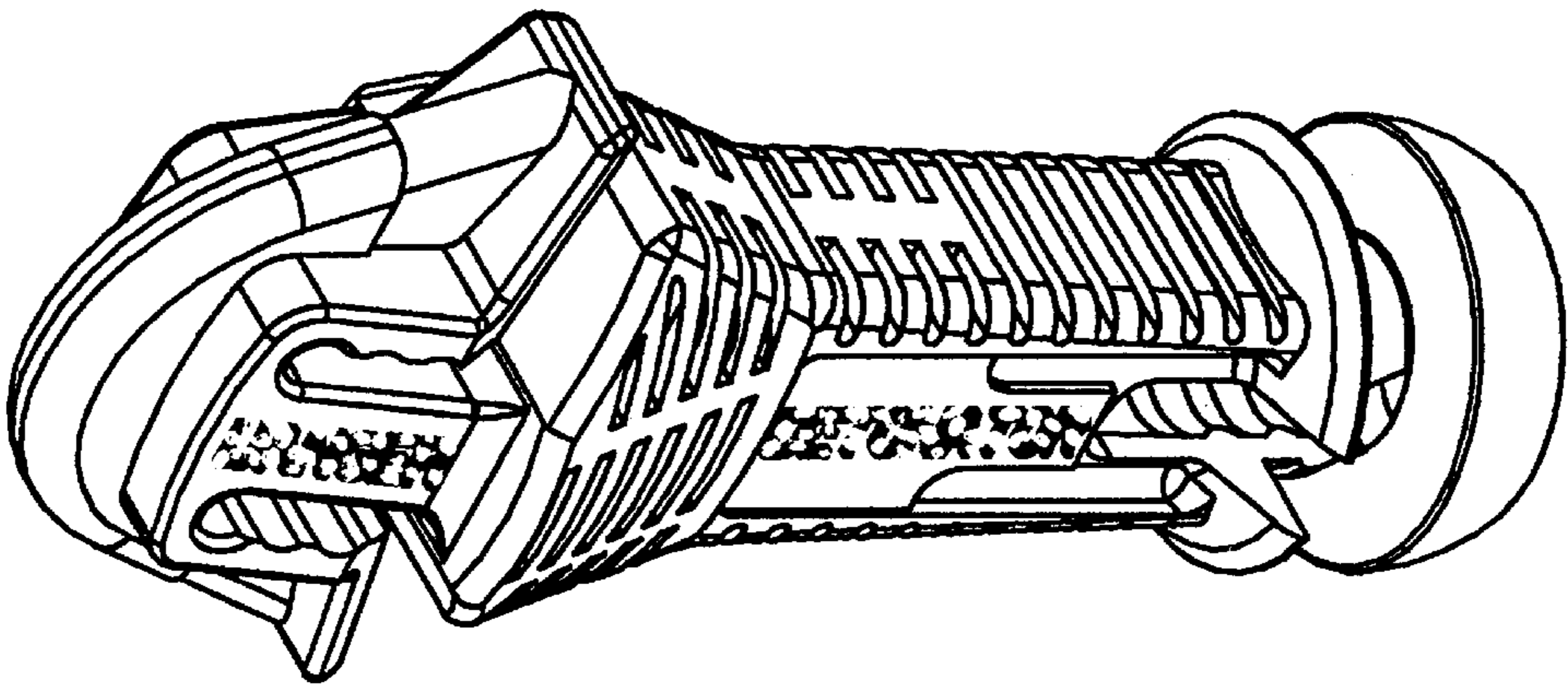


FIG. 2

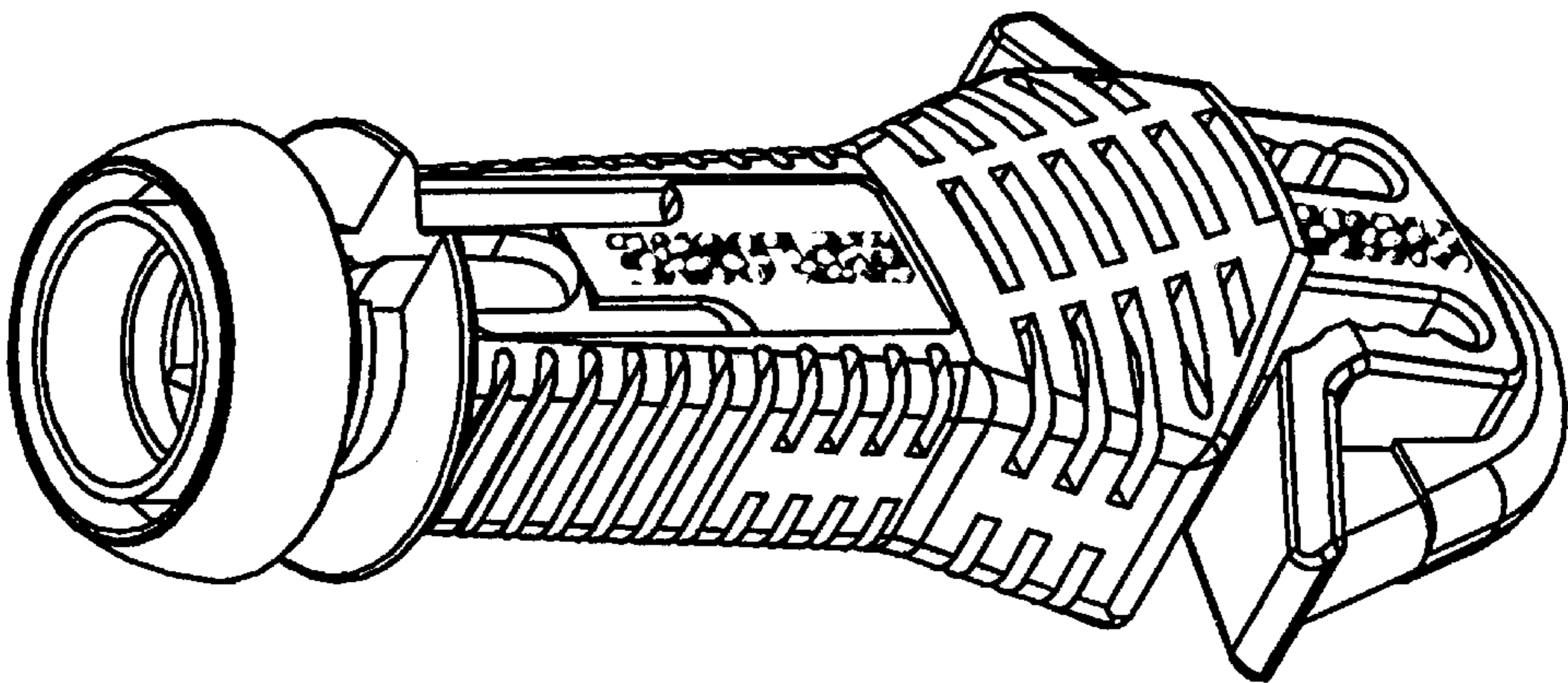


FIG. 1

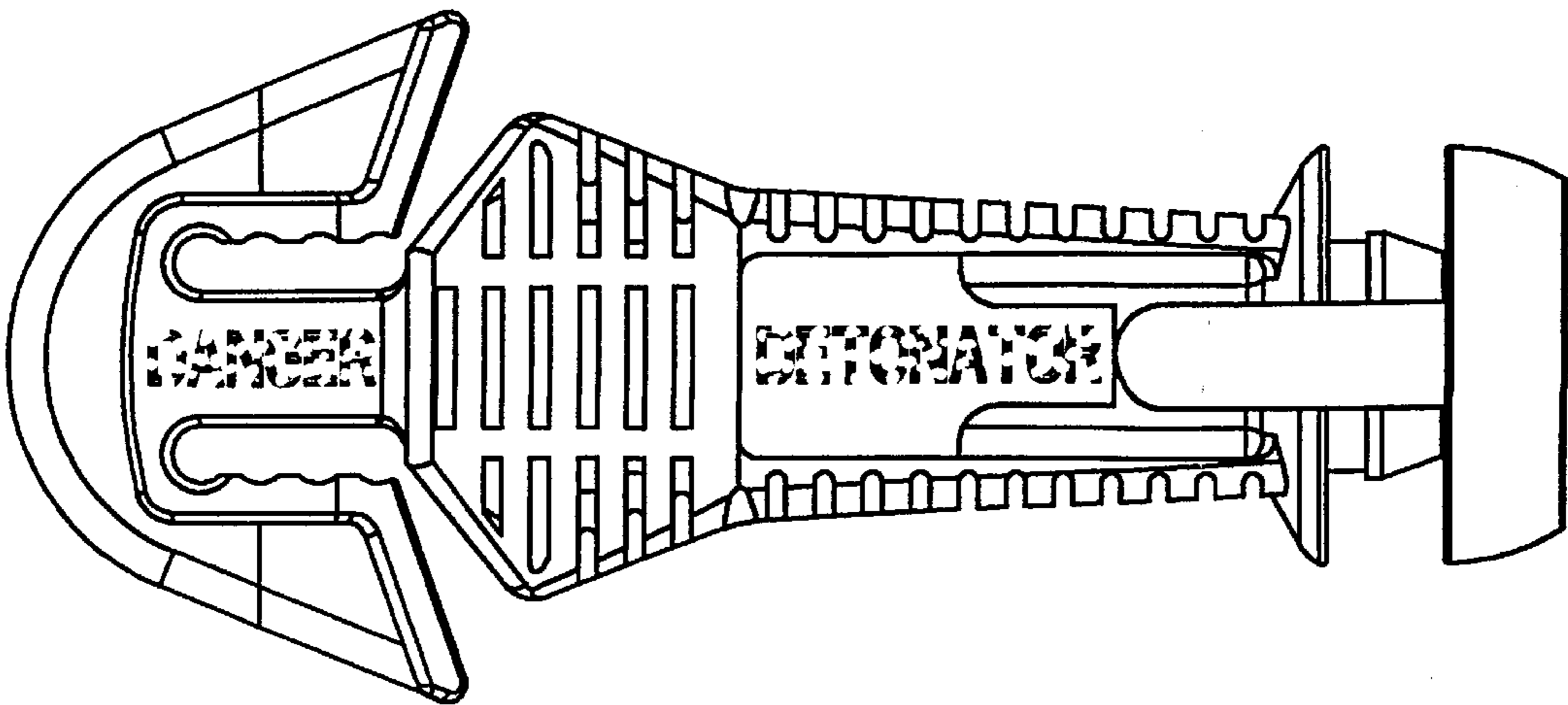


FIG. 4

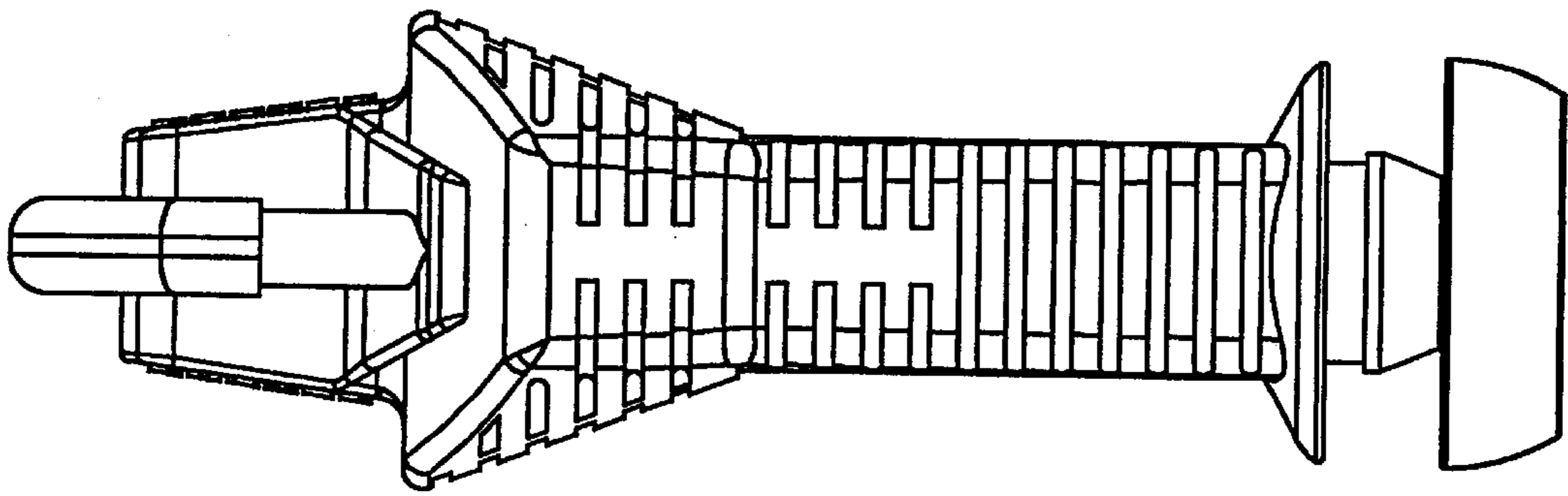


FIG. 5

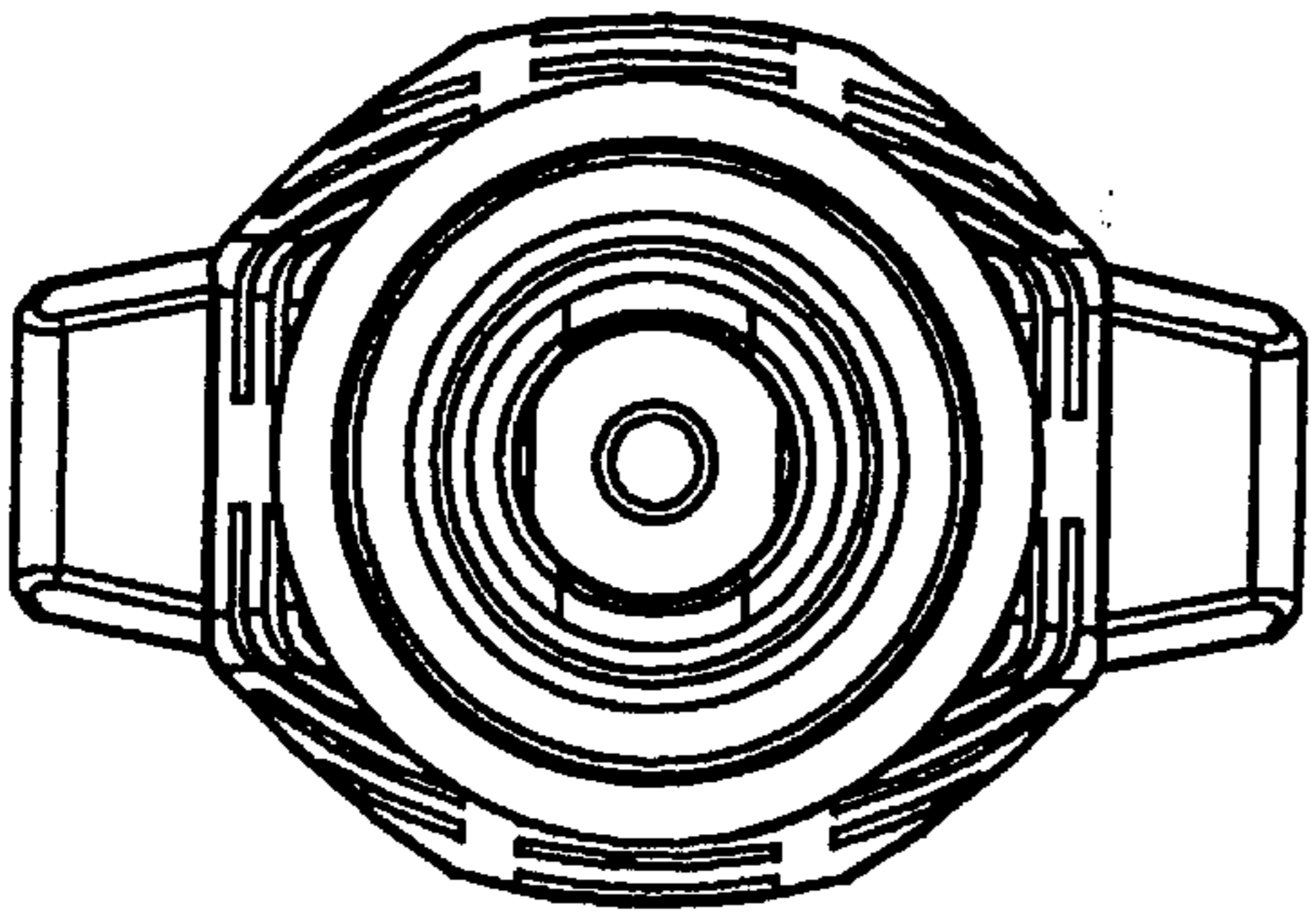


FIG. 6

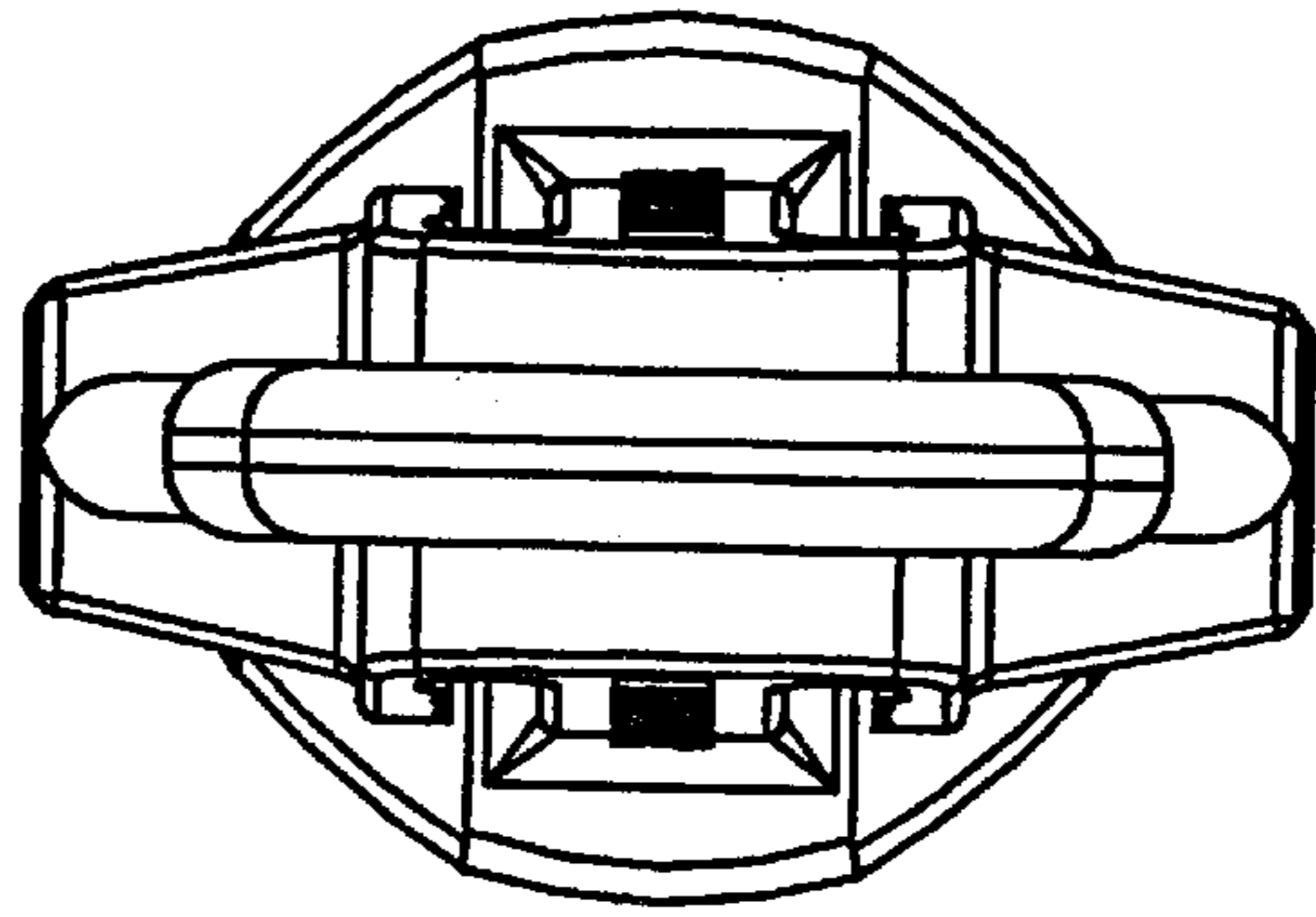


FIG. 7