



US00D424152S

United States Patent [19]
Tate

[11] **Patent Number: Des. 424,152**

[45] **Date of Patent: ** May 2, 2000**

[54] **DIVOT TOOL WITH BALL MARKER AND BRUSH**

[76] Inventor: **John R. Tate**, 11621 Markon Dr.,
Garden Grove, Calif. 92841

[**] Term: **14 Years**

[21] Appl. No.: **29/101,453**

[22] Filed: **Mar. 4, 1999**

[51] **LOC (7) Cl.** **21-02**

[52] **U.S. Cl.** **D21/795**

[58] **Field of Search** D21/789, 793-795;
473/286, 408

[56] **References Cited**

U.S. PATENT DOCUMENTS

D. 238,436	1/1976	McKelvey	D21/793
D. 348,500	7/1994	Mortenson et al.	D21/795
D. 390,904	2/1998	Newbold et al.	D21/793
5,759,120	6/1998	Mathis et al.	473/408

Primary Examiner—Mitchell Siegel
Attorney, Agent, or Firm—Charles H. Thomas

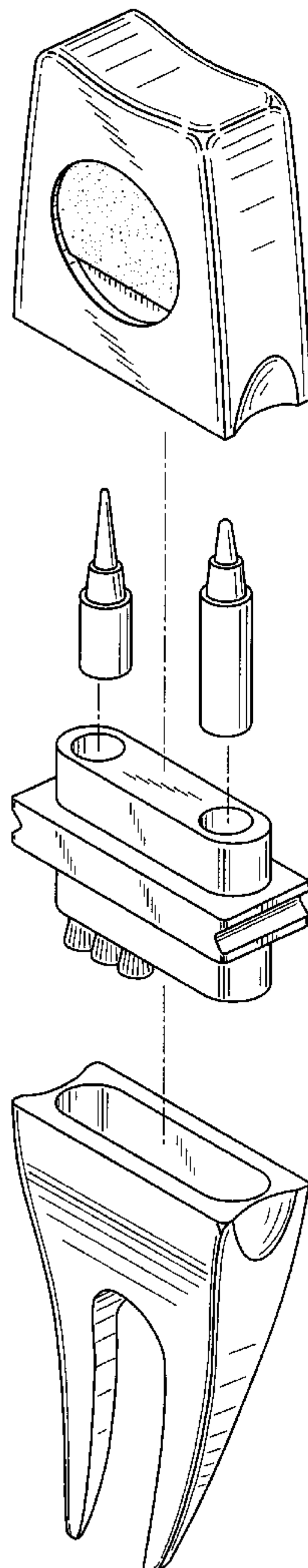
[57] **CLAIM**

The ornamental design for the article divot tool with ball marker and brush, as shown and described.

DESCRIPTION

FIG. 1 is a perspective view of a golf divot tool with ball marker and brush showing my new design;
FIG. 2 is a front elevational view thereof;
FIG. 3 is a right-side elevational view thereof, it being understood that the left-side elevational view is a mirror image thereto;
FIG. 4 is a rear elevational view thereof;
FIG. 5 is a top plan view thereof;
FIG. 6 is a bottom view thereof;
FIG. 7 is an exploded front perspective view showing the upper portion thereof separated from its central and lower portions;
FIG. 8 is an exploded front perspective view showing the lower portion thereof separated from its central and upper portions; and,
FIG. 9 is an exploded perspective view showing all of the separable components thereof separated from each other.

1 Claim, 4 Drawing Sheets



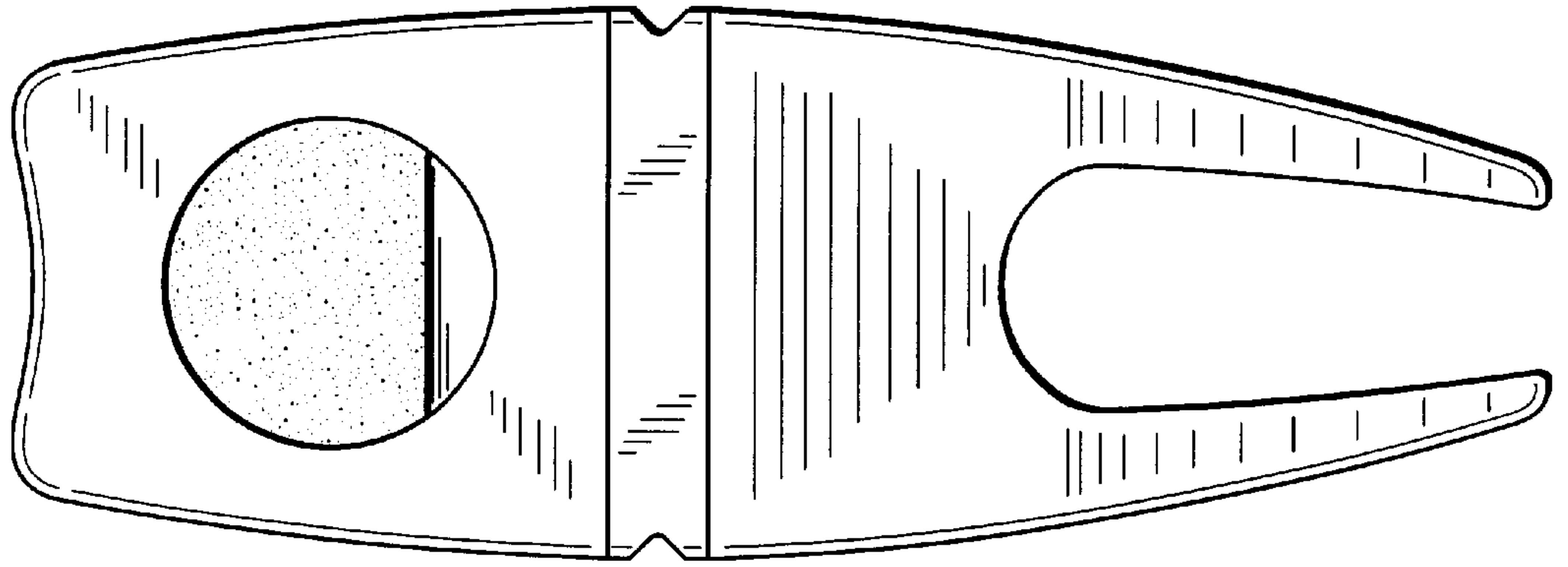


FIG. 2

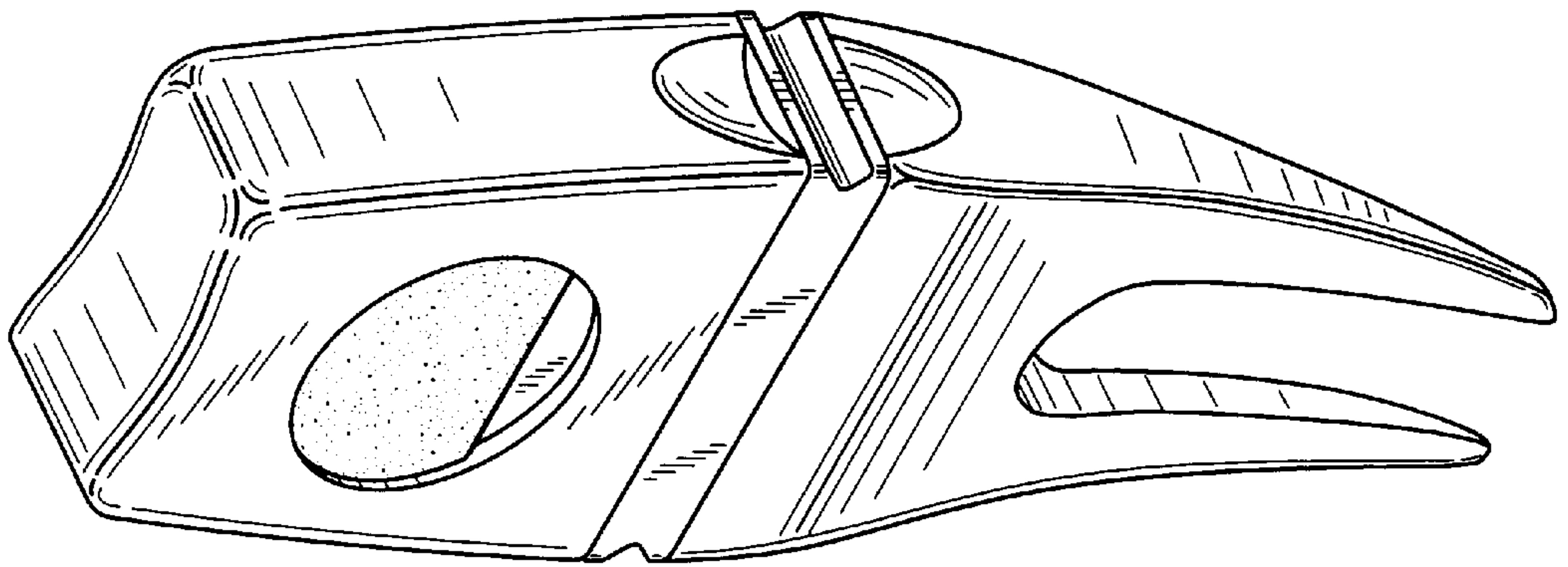


FIG. 1

FIG. 3

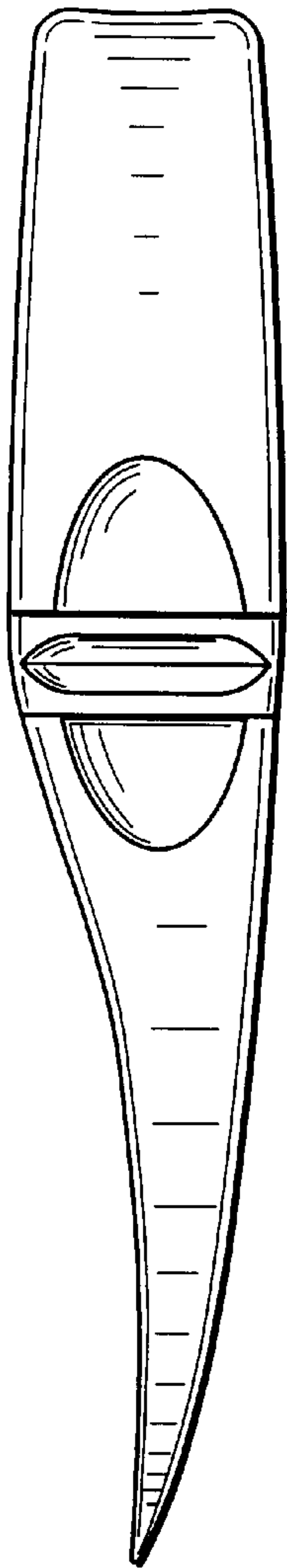


FIG. 4

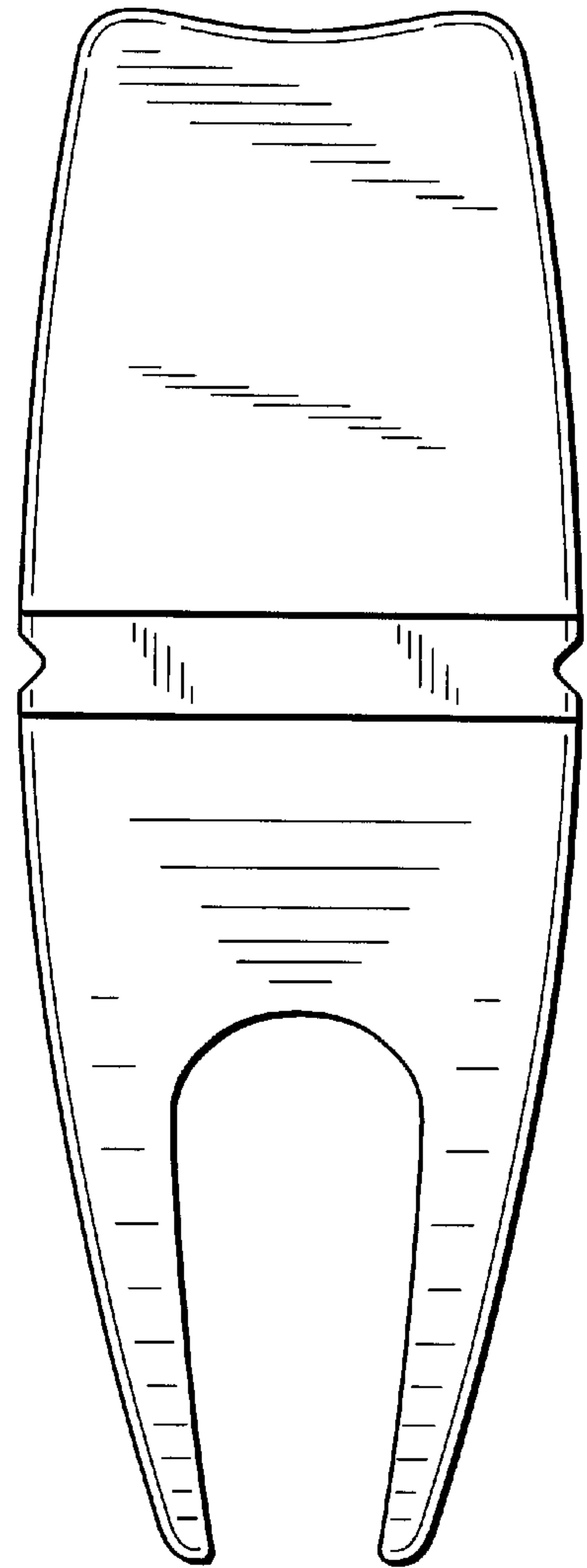


FIG. 5

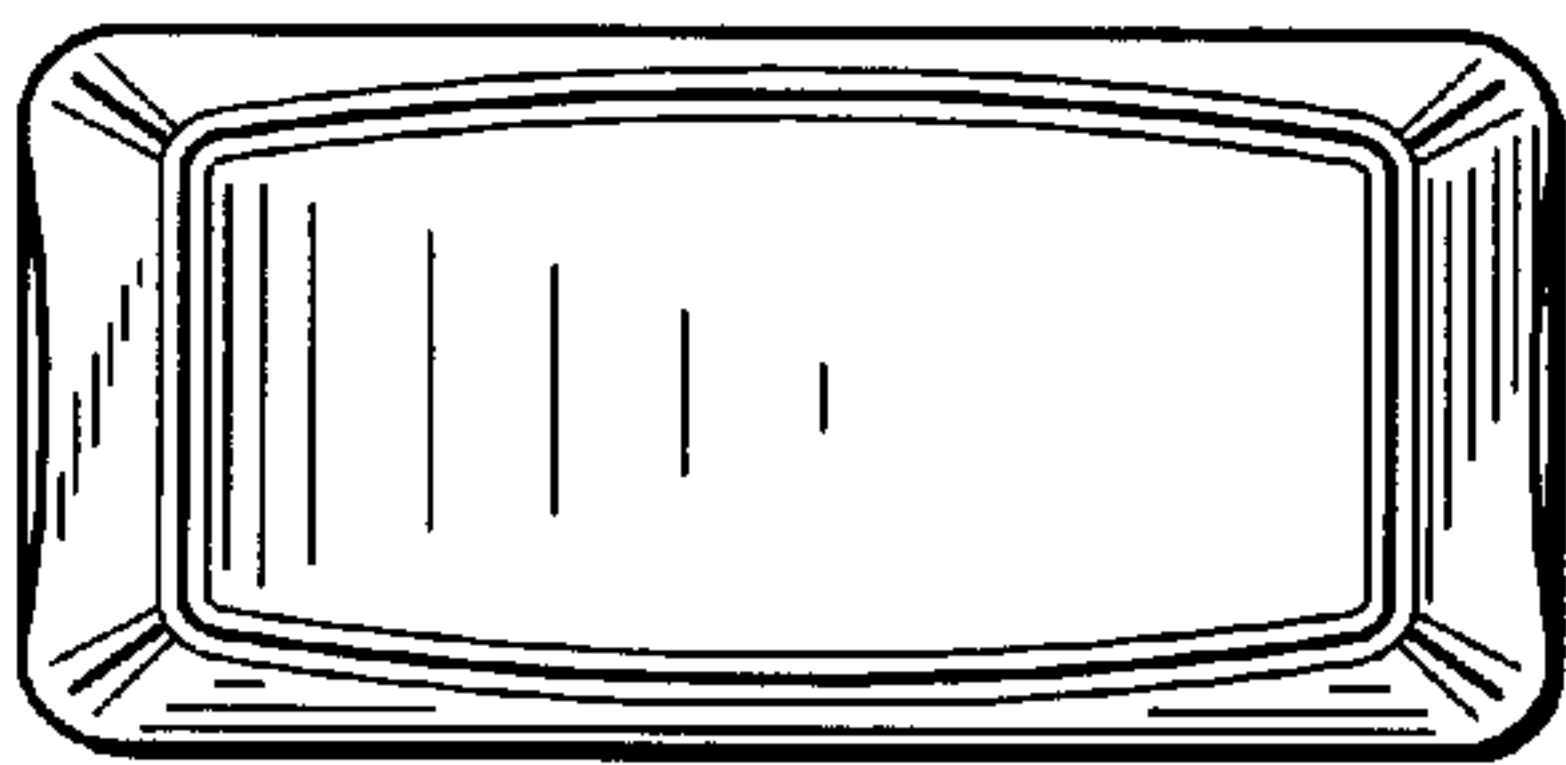
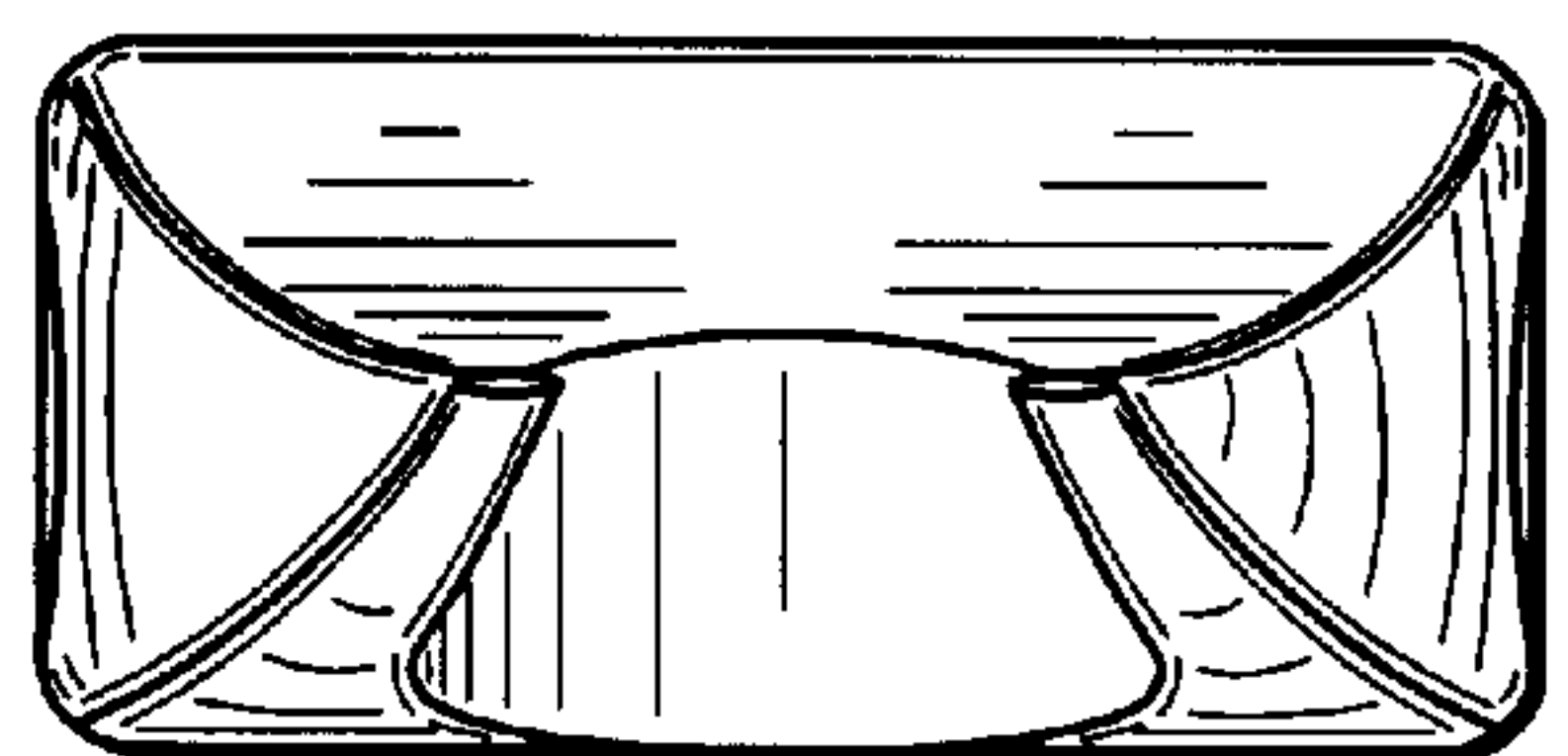


FIG. 6



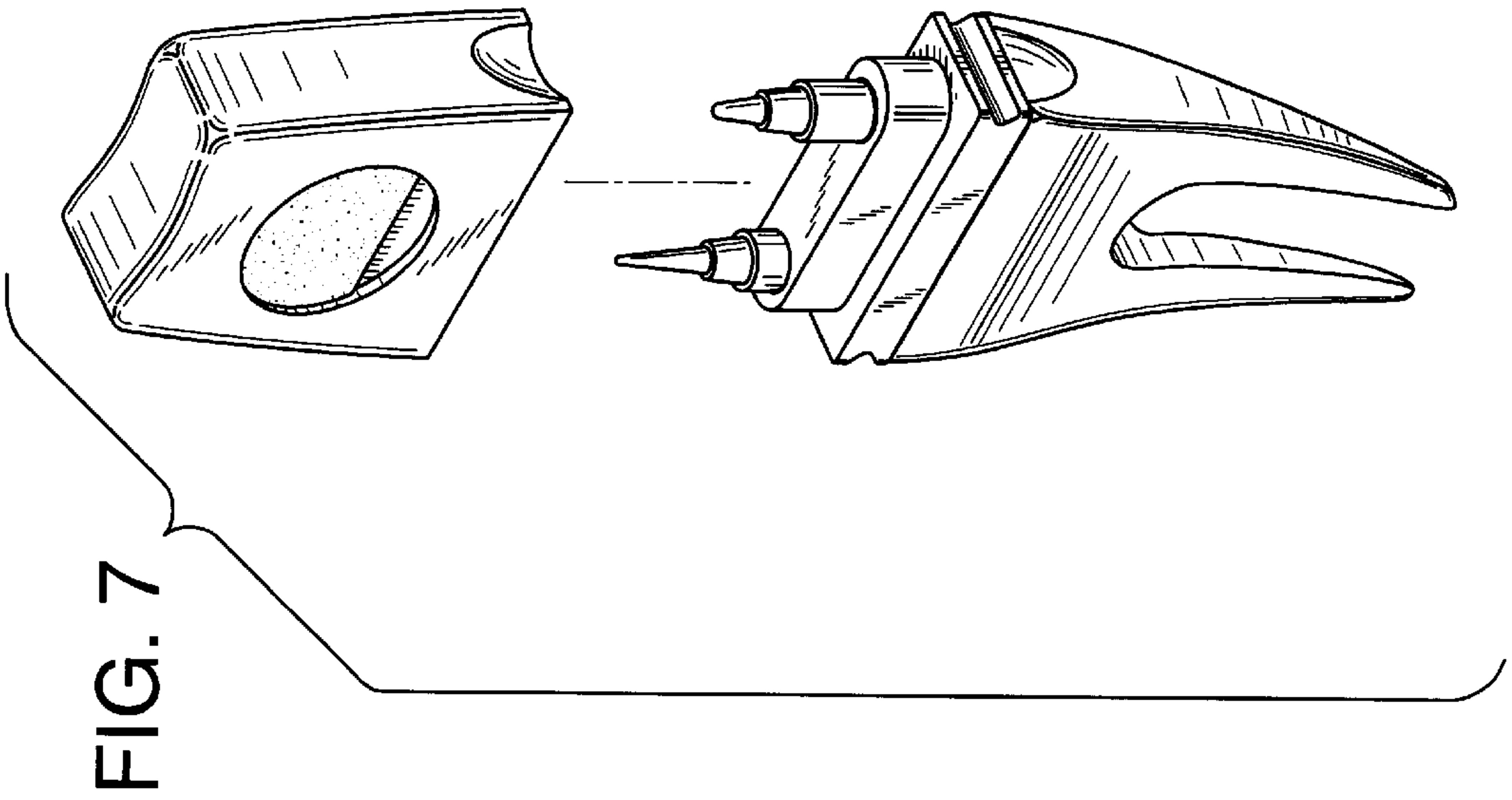
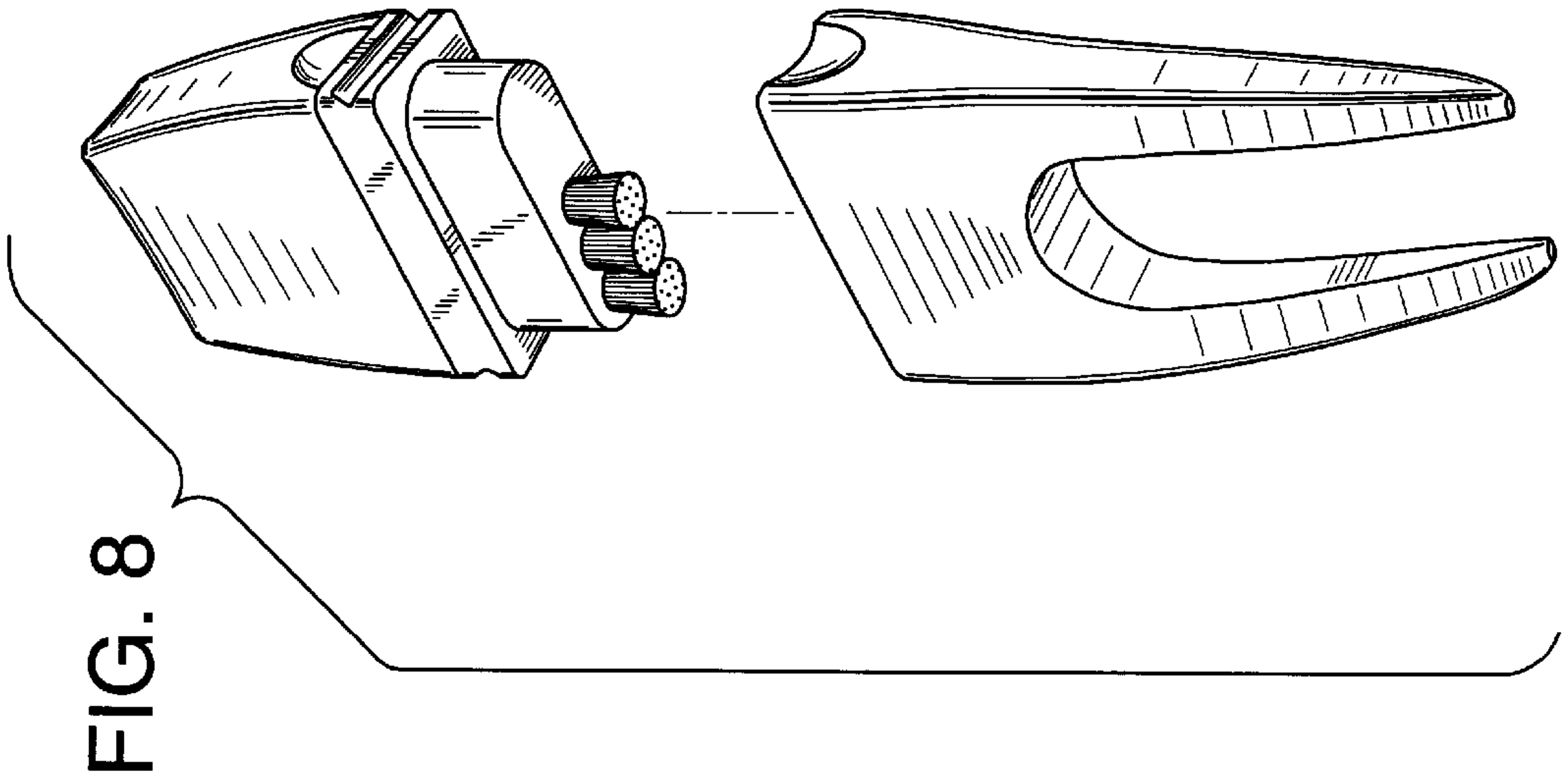


FIG. 9

