



US00D424148S

United States Patent [19]
Grace et al.

[11] **Patent Number: Des. 424,148**
[45] **Date of Patent: ** May 2, 2000**

[54] **SOLE PORTION OF A GOLF CLUB HEAD**

[75] Inventors: **Robert M. Grace**, Clearwater; **Harold Max Parker, Jr.**, St. Petersburg, both of Fla.

[73] Assignee: **Cobra Golf Incorporated**, Carlsbad, Calif.

[**] Term: **14 Years**

[21] Appl. No.: **29/099,579**

[22] Filed: **Jan. 25, 1999**

[51] **LOC (7) Cl.** **21-02**

[52] **U.S. Cl.** **D21/759**

[58] **Field of Search** **D21/736-746;**
473/251-256, 340, 341, 324, 327-331

[56] **References Cited**

U.S. PATENT DOCUMENTS

- D. 231,850 6/1974 Winter .
- D. 303,275 9/1989 Brayak .
- D. 325,949 5/1992 Harris, Jr. .
- D. 335,691 5/1993 Barker et al. .
- D. 340,753 10/1993 Miesch .
- D. 342,772 12/1993 Koehler .
- D. 360,009 7/1995 Grace .
- D. 360,922 8/1995 Grace .
- D. 371,180 6/1996 Grace .
- D. 373,160 8/1996 Grace .
- D. 384,123 9/1997 Masuda .
- D. 385,933 11/1997 Rollinson et al. .
- D. 388,143 12/1997 Huan-Chiang .
- D. 388,851 1/1998 Rollinson et al. .
- D. 389,539 1/1998 Moore .
- D. 391,612 3/1998 Moore .
- D. 392,355 3/1998 Ramirez et al. .
- D. 393,302 4/1998 Renegar .

- D. 414,535 9/1999 Mertens .
- 3,035,839 5/1962 Coglianesi .
- 4,522,405 6/1985 Clawges .
- 5,226,654 7/1993 Solheim .
- 5,292,128 3/1994 Solheim .
- 5,377,983 1/1995 Fenton .
- 5,464,218 11/1995 Schmidt et al. .
- 5,465,970 11/1995 Adams et al. .
- 5,533,728 7/1996 Pehoski et al. .
- 5,549,296 8/1996 Gilbert .
- 5,630,765 5/1997 Moore .
- 5,690,562 11/1997 Sturm .
- 5,871,407 2/1999 Tseng .

FOREIGN PATENT DOCUMENTS

WO 99/38576 8/1999 WIPO .

Primary Examiner—Mitchell Siegel
Attorney, Agent, or Firm—Pennie & Edmonds LLP

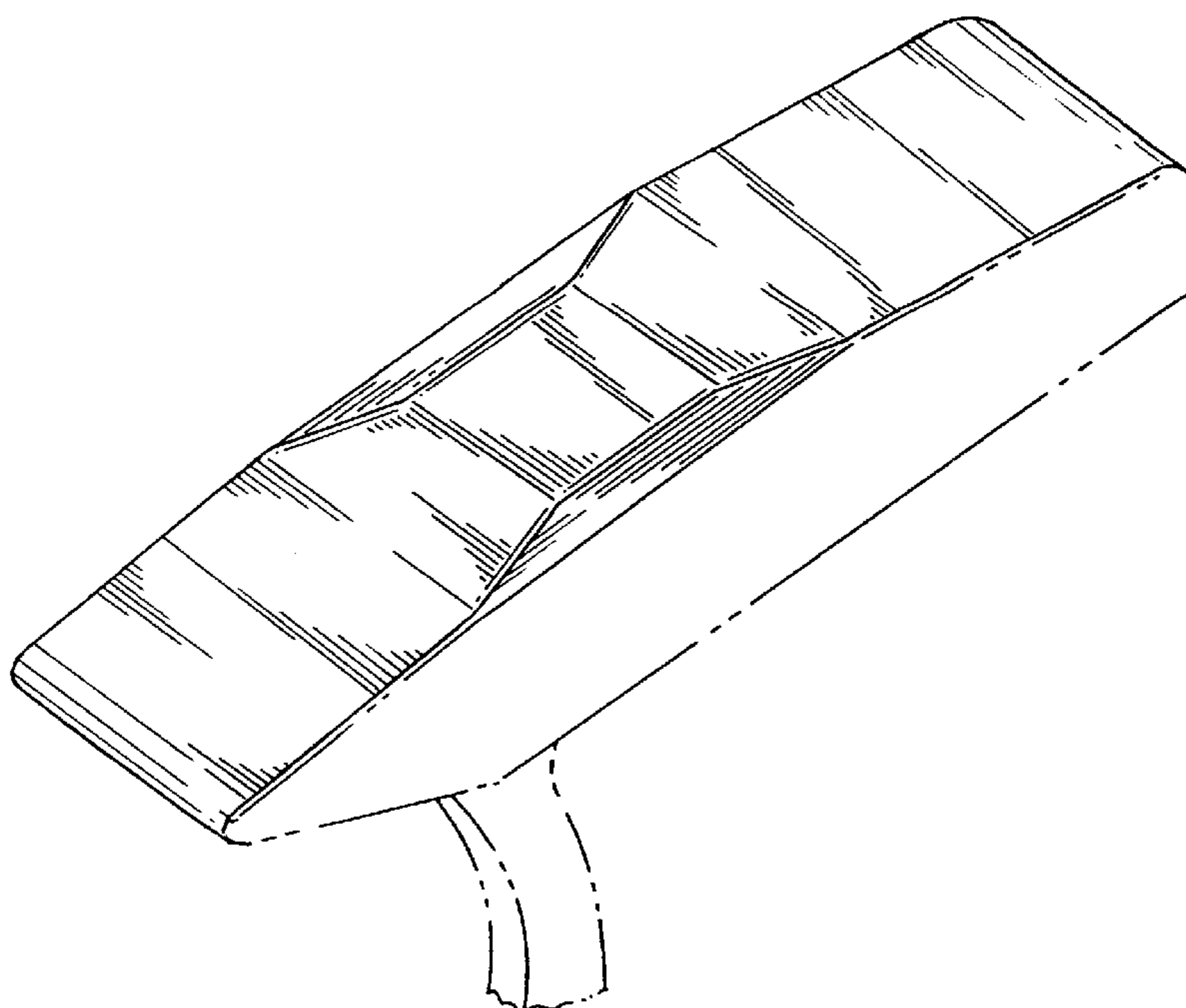
[57] **CLAIM**

The ornamental design for the sole portion of a golf club head, as shown and described.

DESCRIPTION

FIG. 1 is a front perspective view of the sole portion of a golf club head of one embodiment of the new design; FIG. 2 is a rear perspective view thereof; FIG. 3 is a bottom plan view thereof; FIG. 4 is a rear side view thereof; FIG. 5 is a front side view thereof; FIG. 6 is an end view thereof, from the heel end of the club head; and, FIG. 7 is an end view thereof, from the toe end of the club head; The broken line showing of the club head is for illustrative purposes only and forms no part of the claimed design.

1 Claim, 2 Drawing Sheets



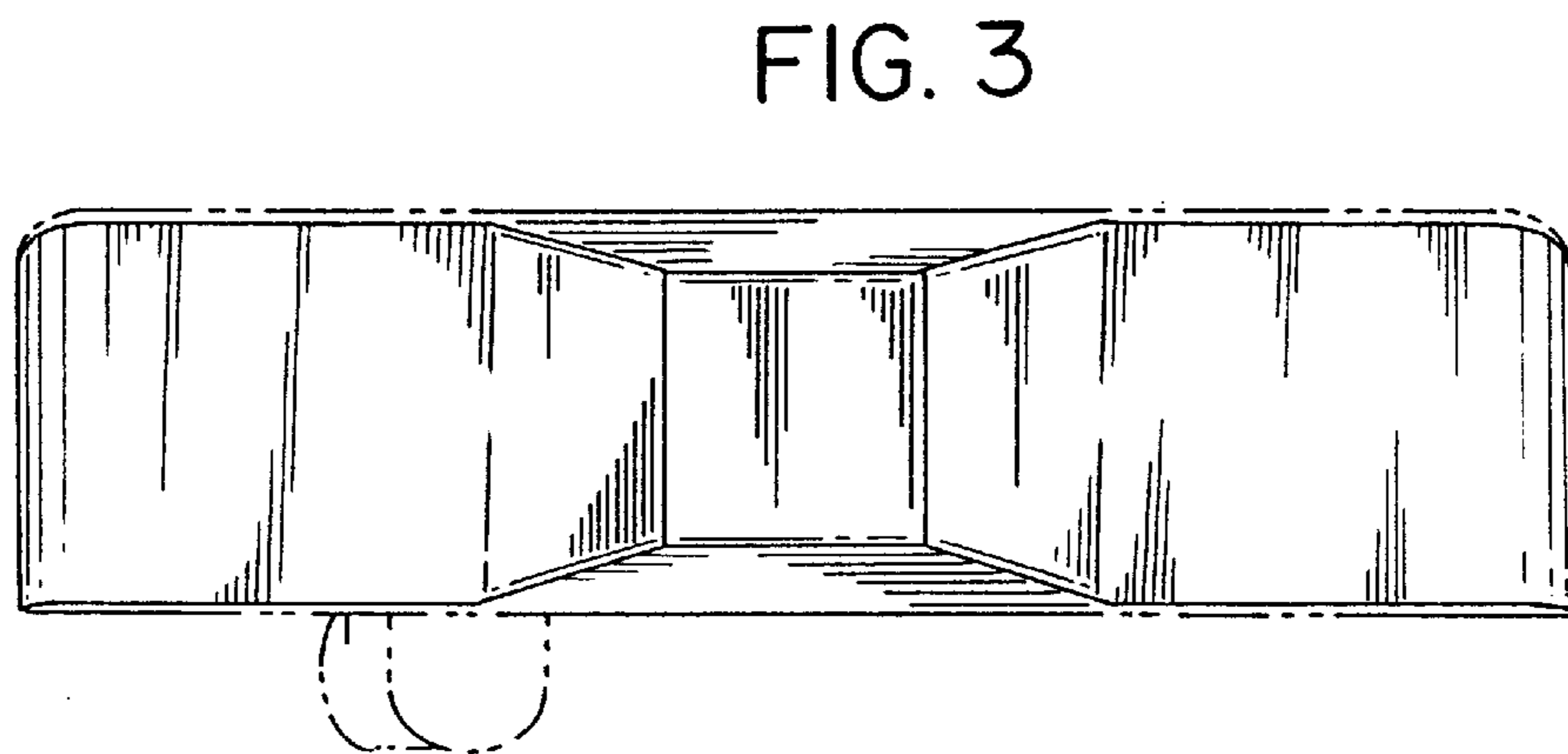
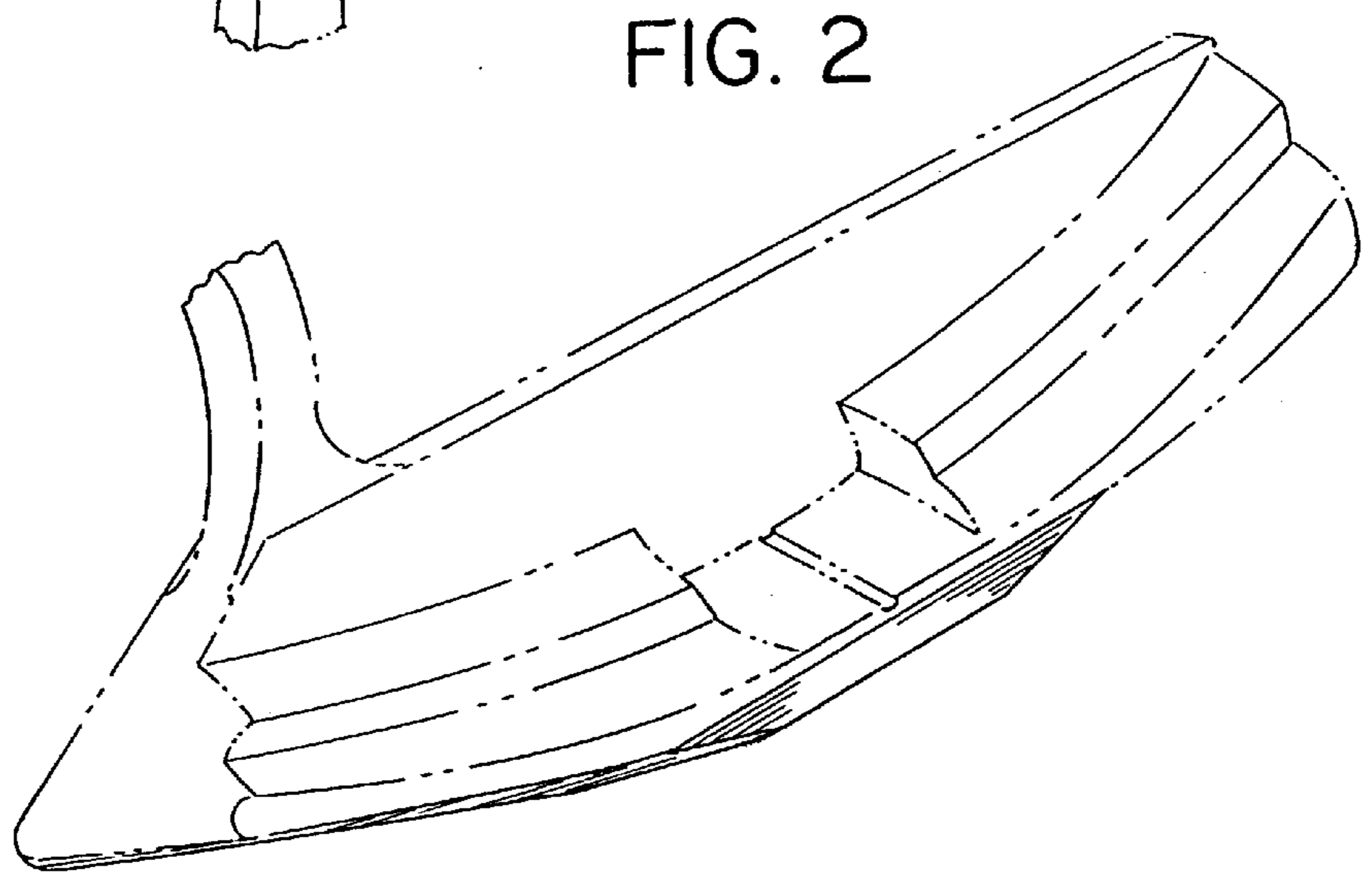
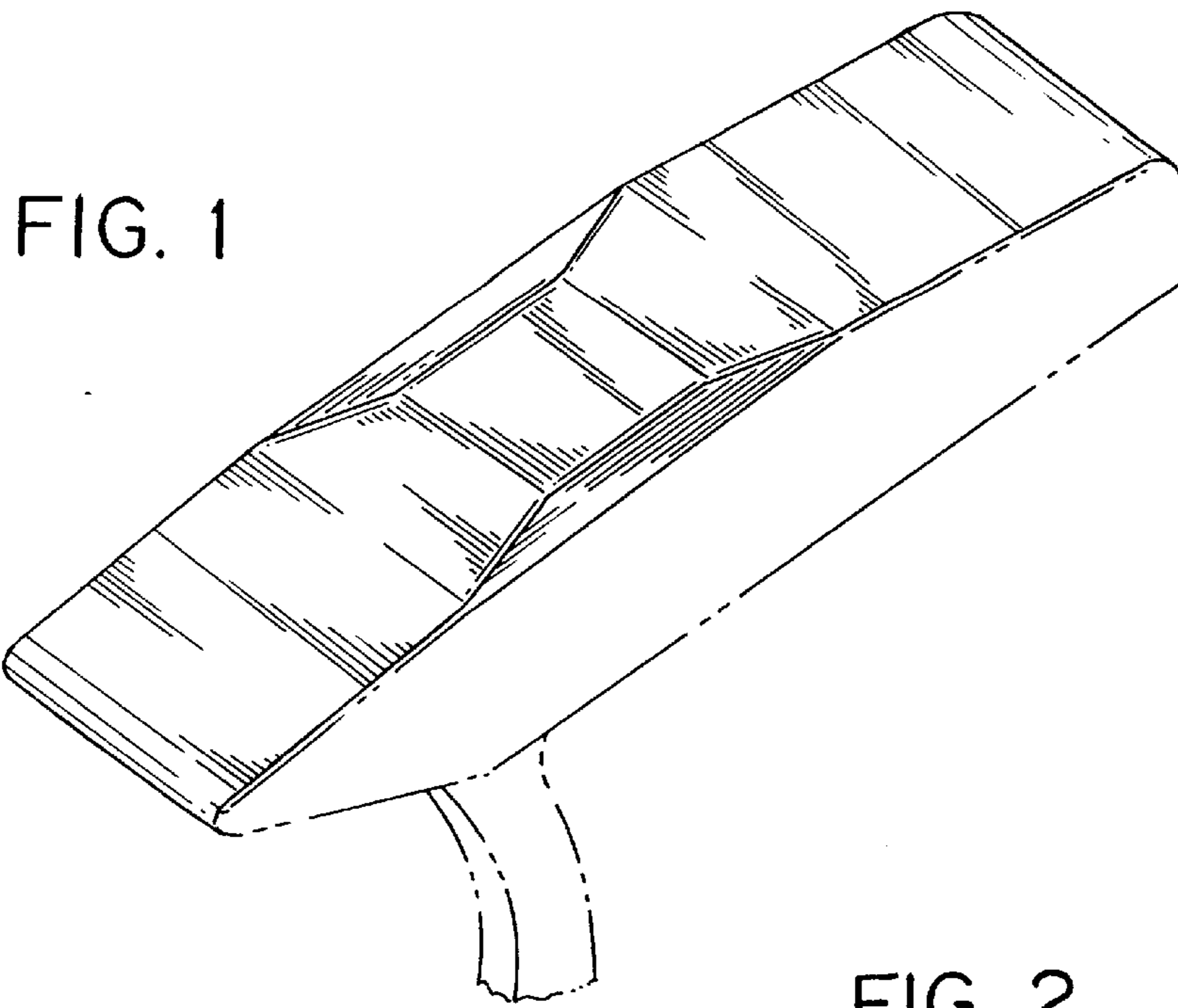


FIG. 4

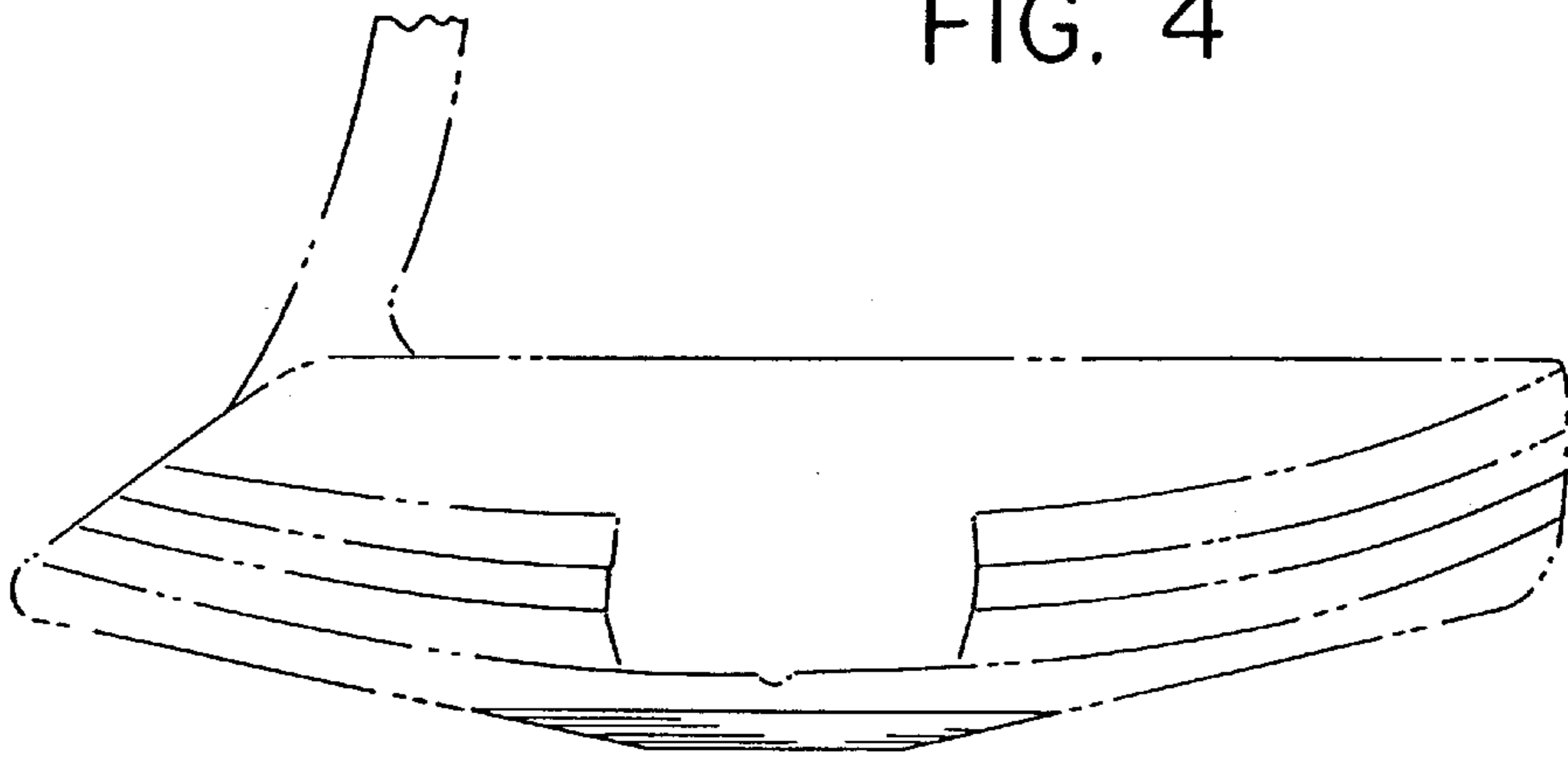


FIG. 5

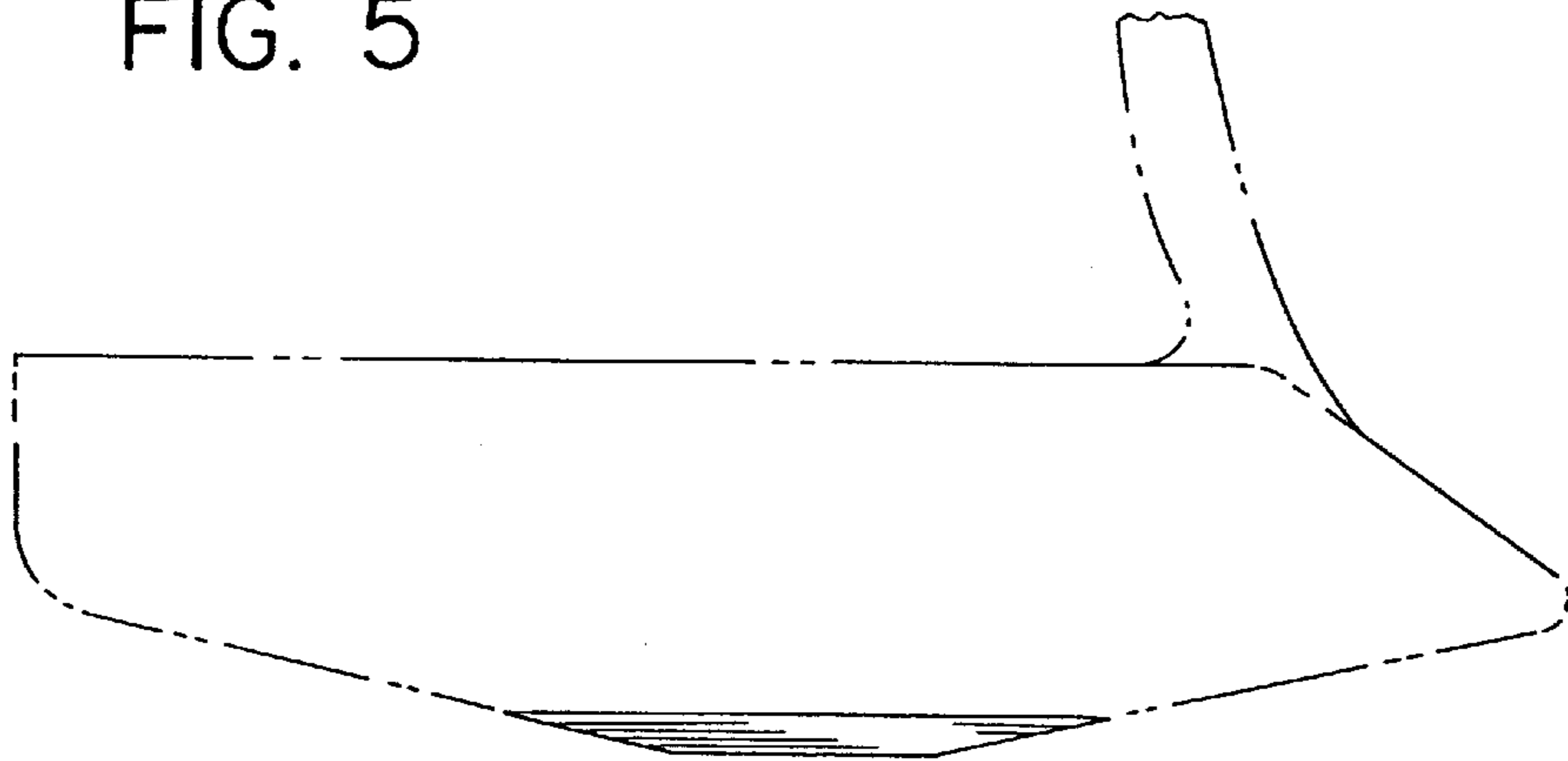


FIG. 6



FIG. 7

