



US00D424145S

United States Patent [19]
Minami

[11] **Patent Number: Des. 424,145**

[45] **Date of Patent: ** May 2, 2000**

[54] **GOLF PUTTER HEAD**

D. 388,853 1/1998 Minami .
D. 402,724 12/1998 Minami .

[76] Inventor: **Roy W. Minami**, 1222 Jackie La.,
Santa Maria, Calif. 93454

Primary Examiner—Mitchell Siegel
Attorney, Agent, or Firm—Daniel C. McKown

[**] Term: **14 Years**

[57] **CLAIM**

[21] Appl. No.: **29/107,239**

The ornamental design for a golf putter head, as shown and described.

[22] Filed: **Jul. 2, 1999**

[51] **LOC (7) Cl.** **21-02**

[52] **U.S. Cl.** **D21/744**

[58] **Field of Search** D21/736-746;
473/251-256, 324, 327-331, 340, 341

DESCRIPTION

FIG. 1 is a top front right side perspective view of a golf putter head with golf ball retriever showing my new design; FIG. 2 is a right side elevational view thereof; FIG. 3 is a left side elevational view thereof; FIG. 4 is a front elevational view thereof; FIG. 5 is a rear elevational view thereof; FIG. 6 is a top plan view thereof; and, FIG. 7 is a bottom plan view thereof.

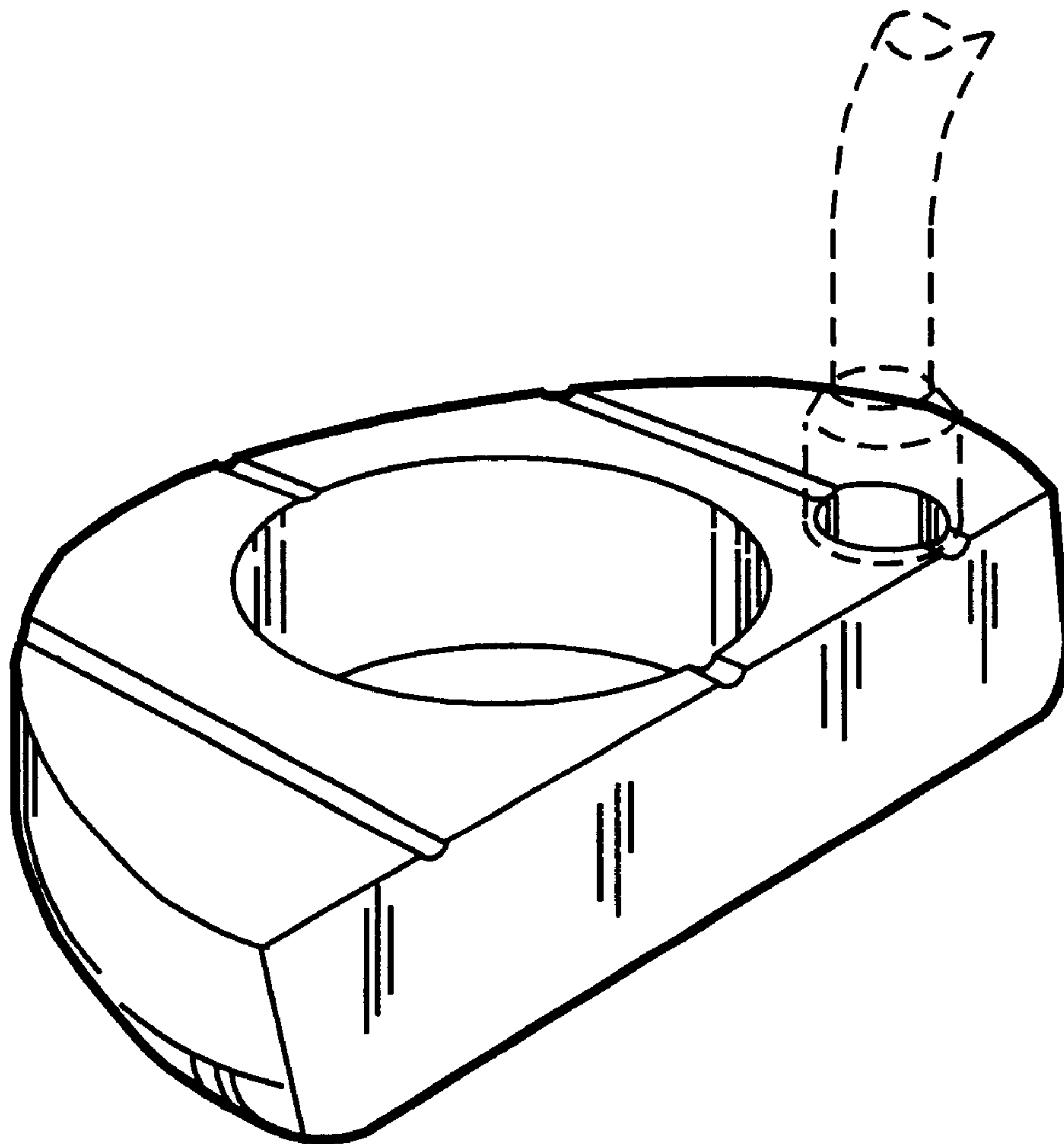
The dashed lines in FIGS. 1-5 show a shaft which is no part of the present design.

[56] **References Cited**

U.S. PATENT DOCUMENTS

D. 220,274	3/1971	Rango	D21/739
D. 257,869	1/1981	MacDougall	D21/739
D. 257,870	1/1981	MacDougall	D21/739
D. 257,871	1/1981	MacGougall	D21/739
D. 378,844	4/1997	Shine	D21/739
D. 380,030	6/1997	Altman	D21/739

1 Claim, 3 Drawing Sheets



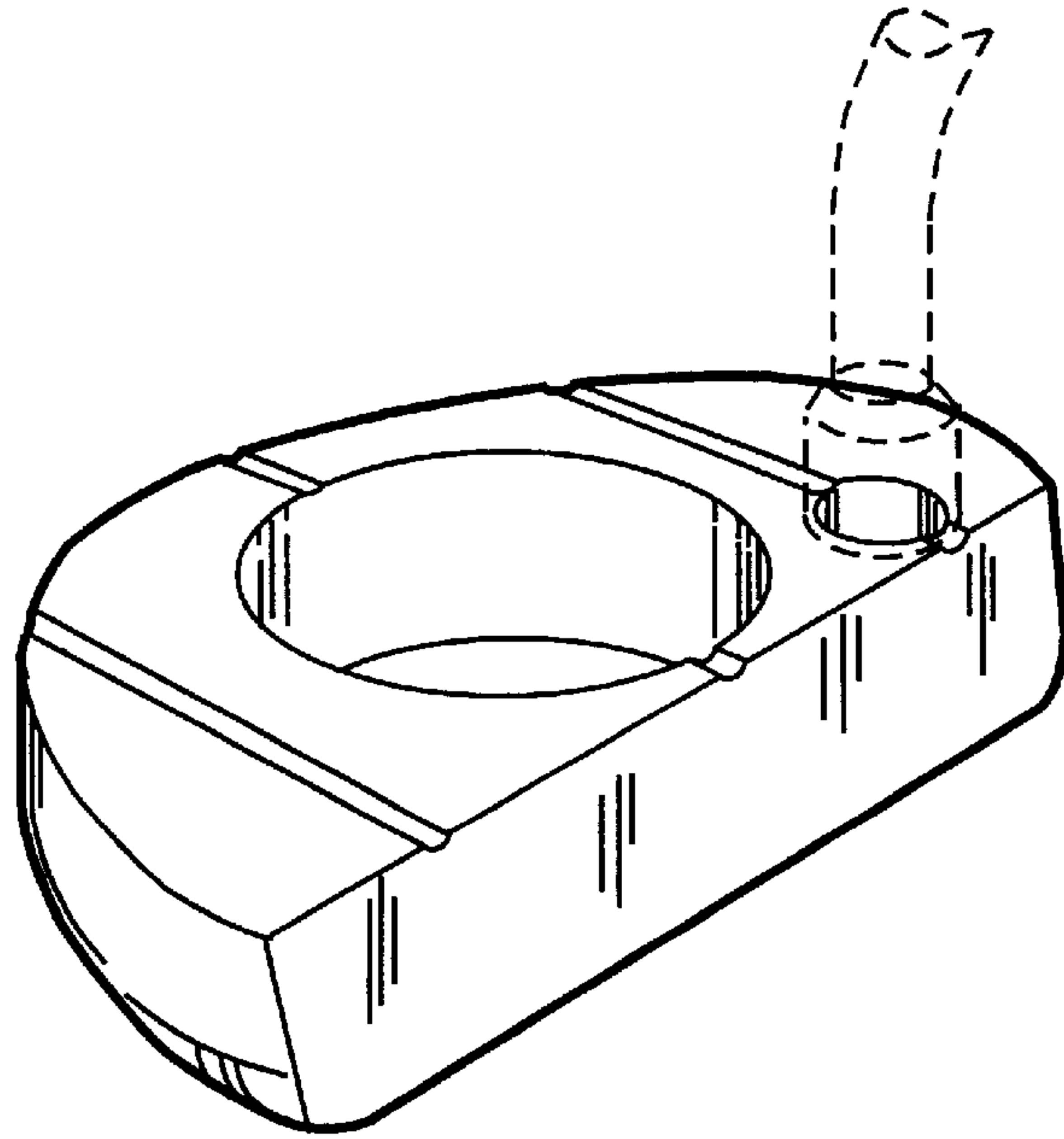


FIG. 1

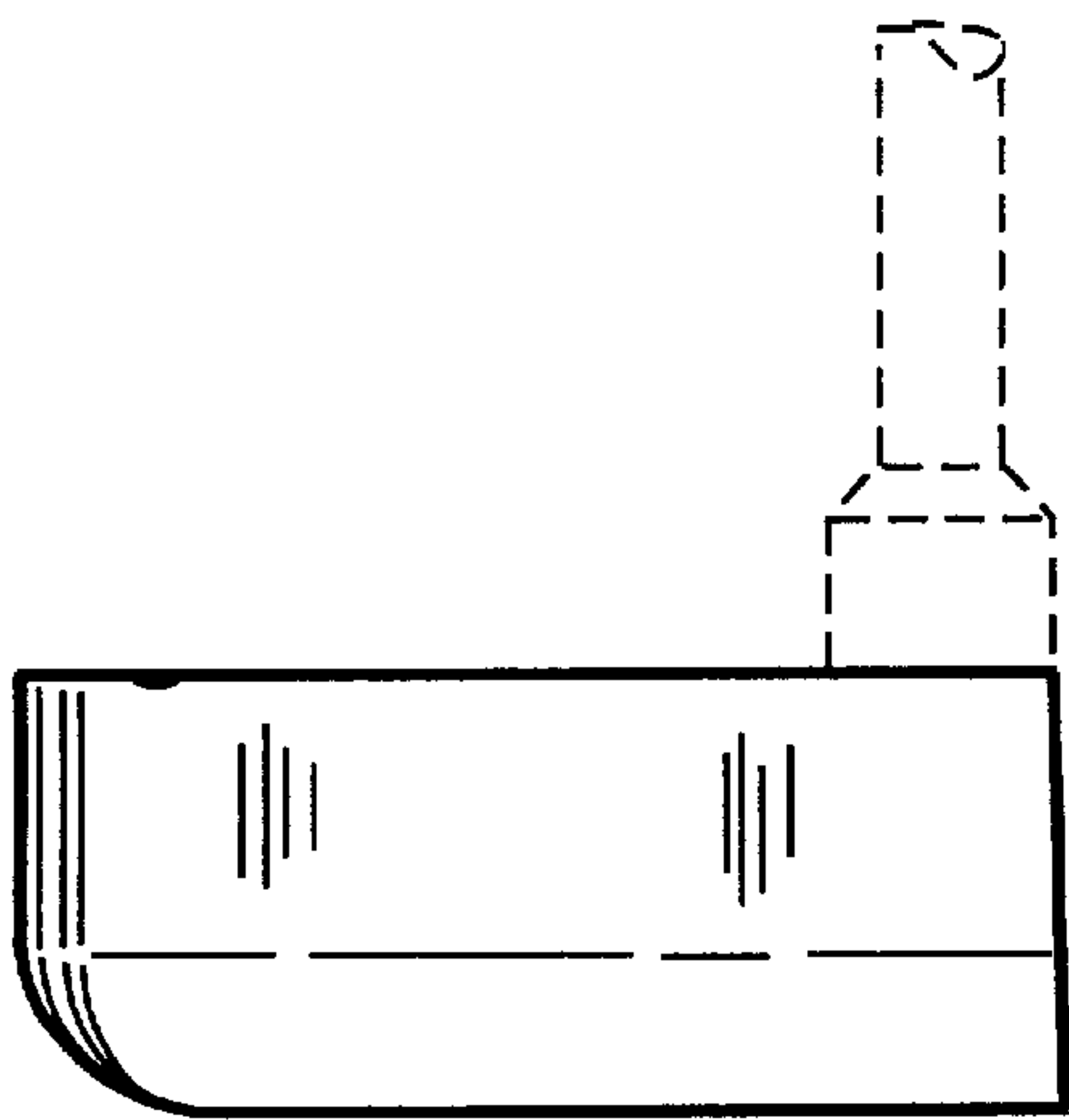


FIG. 2

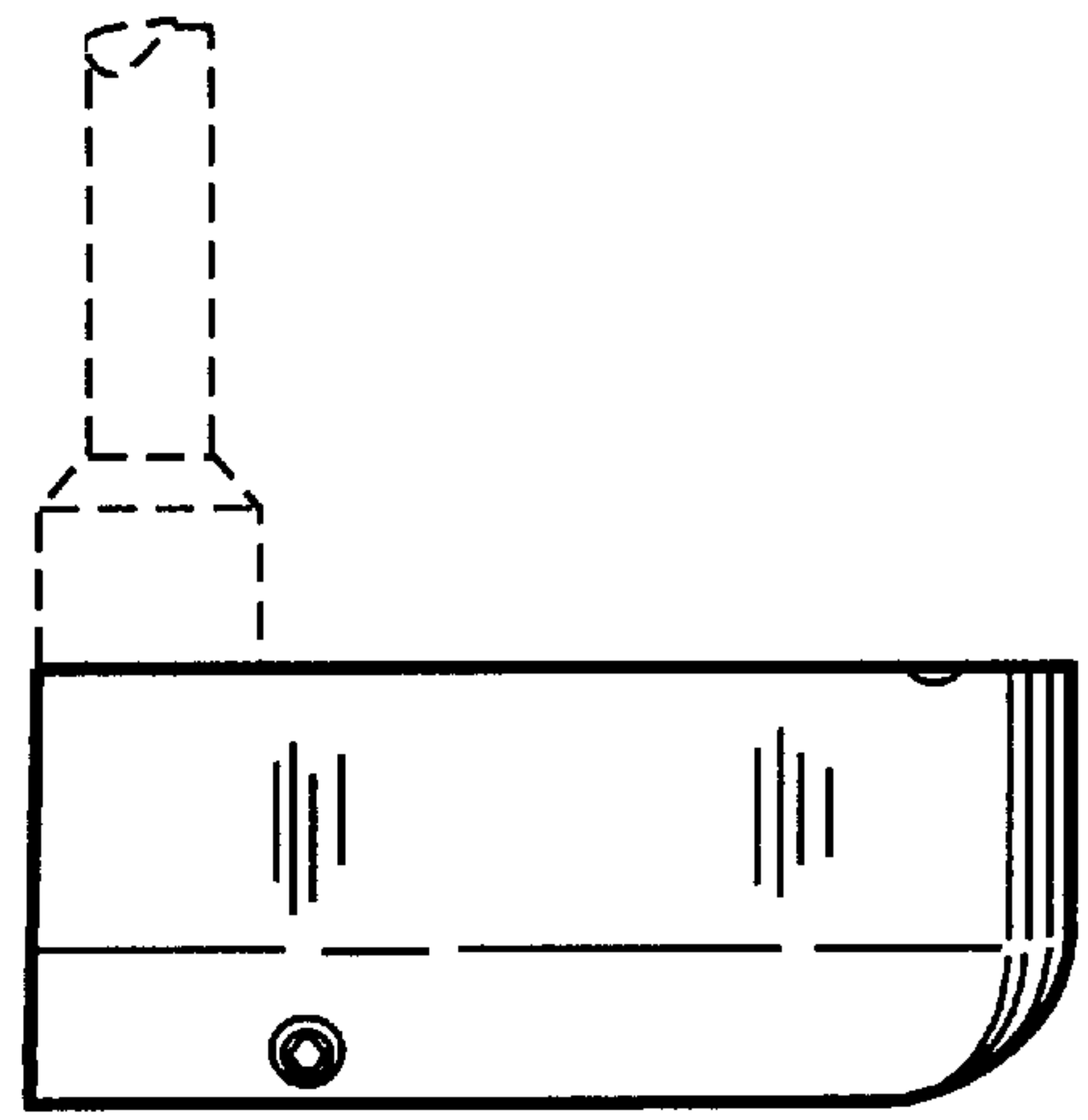


FIG. 3

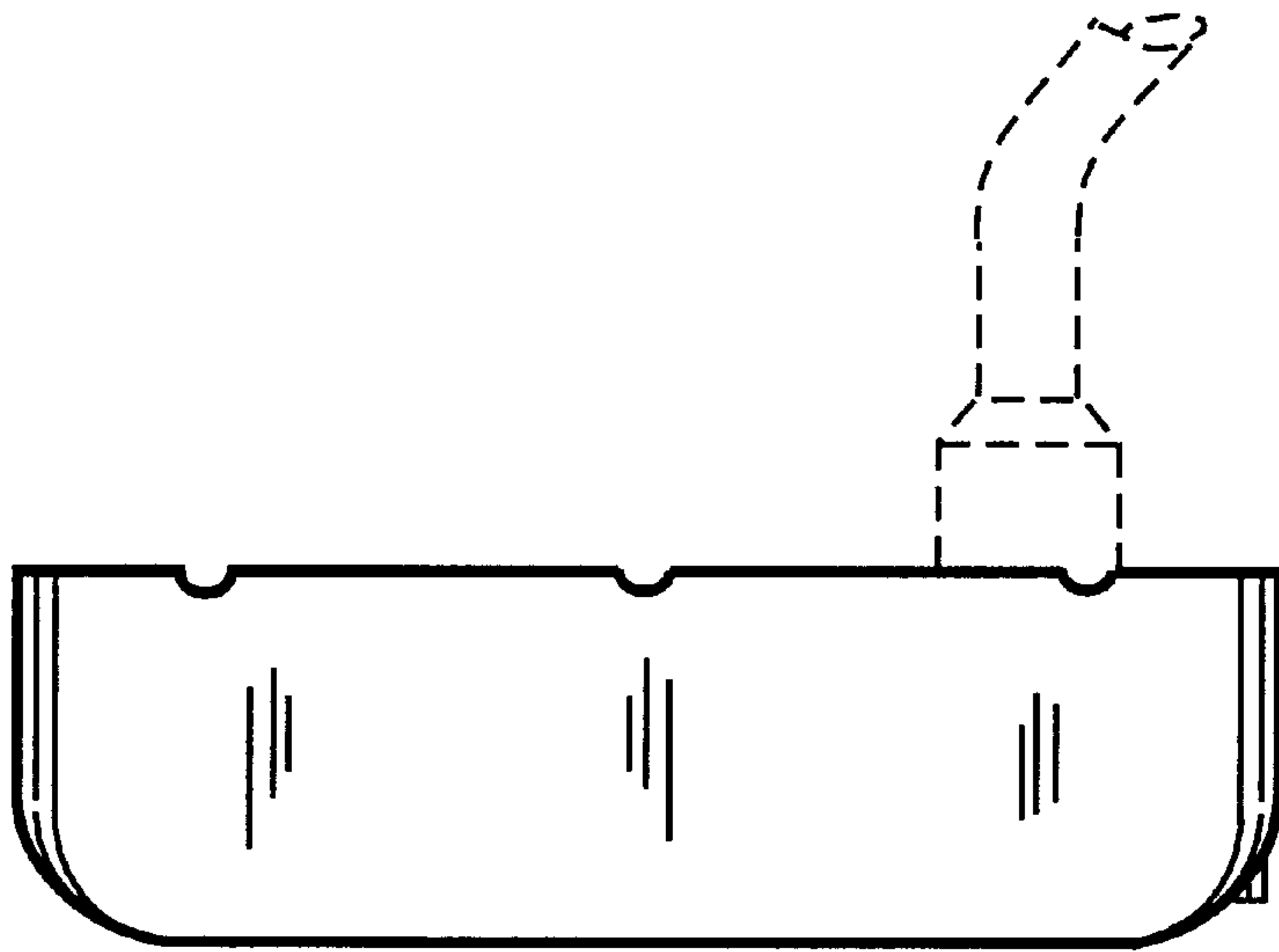


FIG. 4

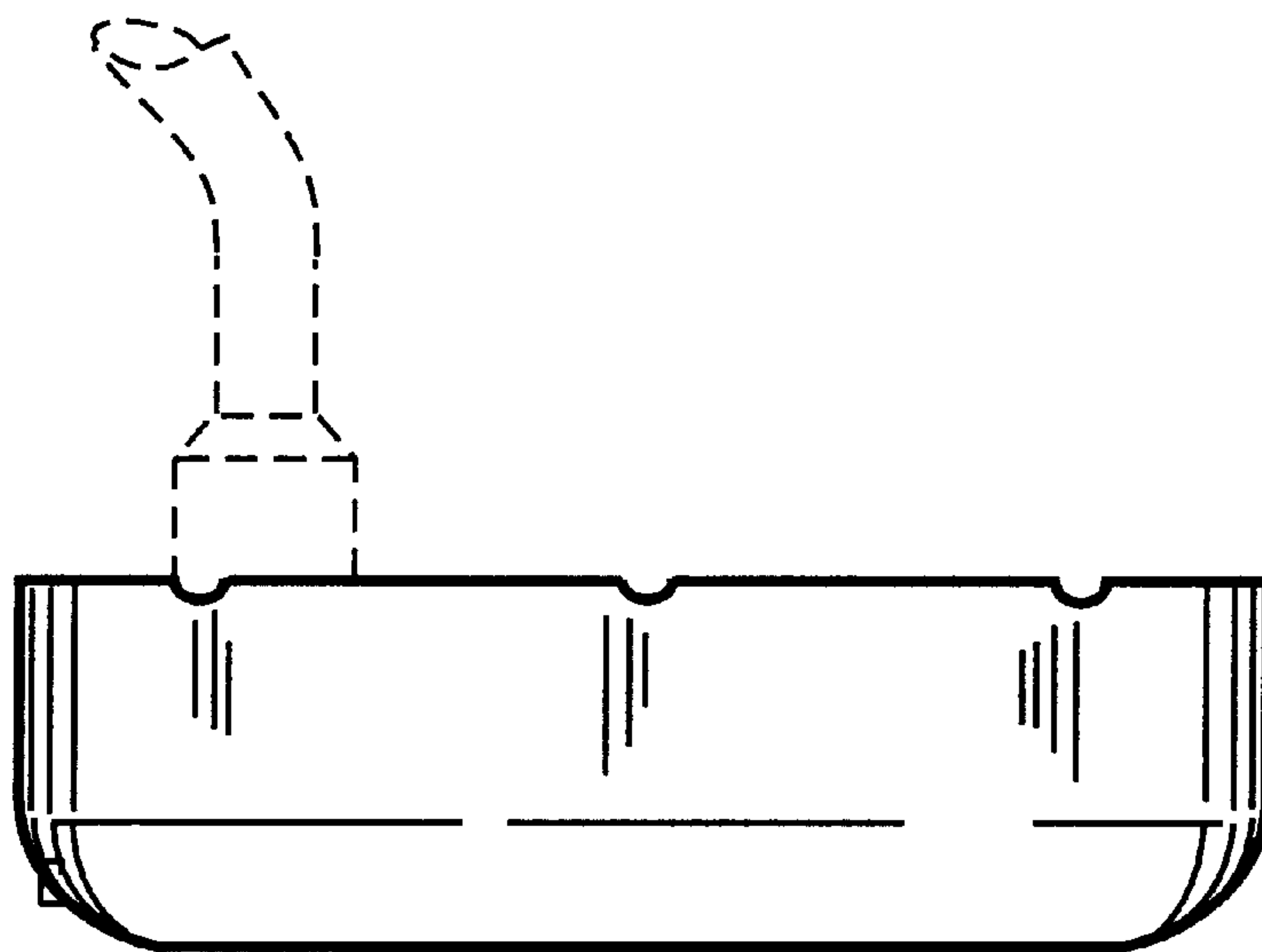


FIG. 5

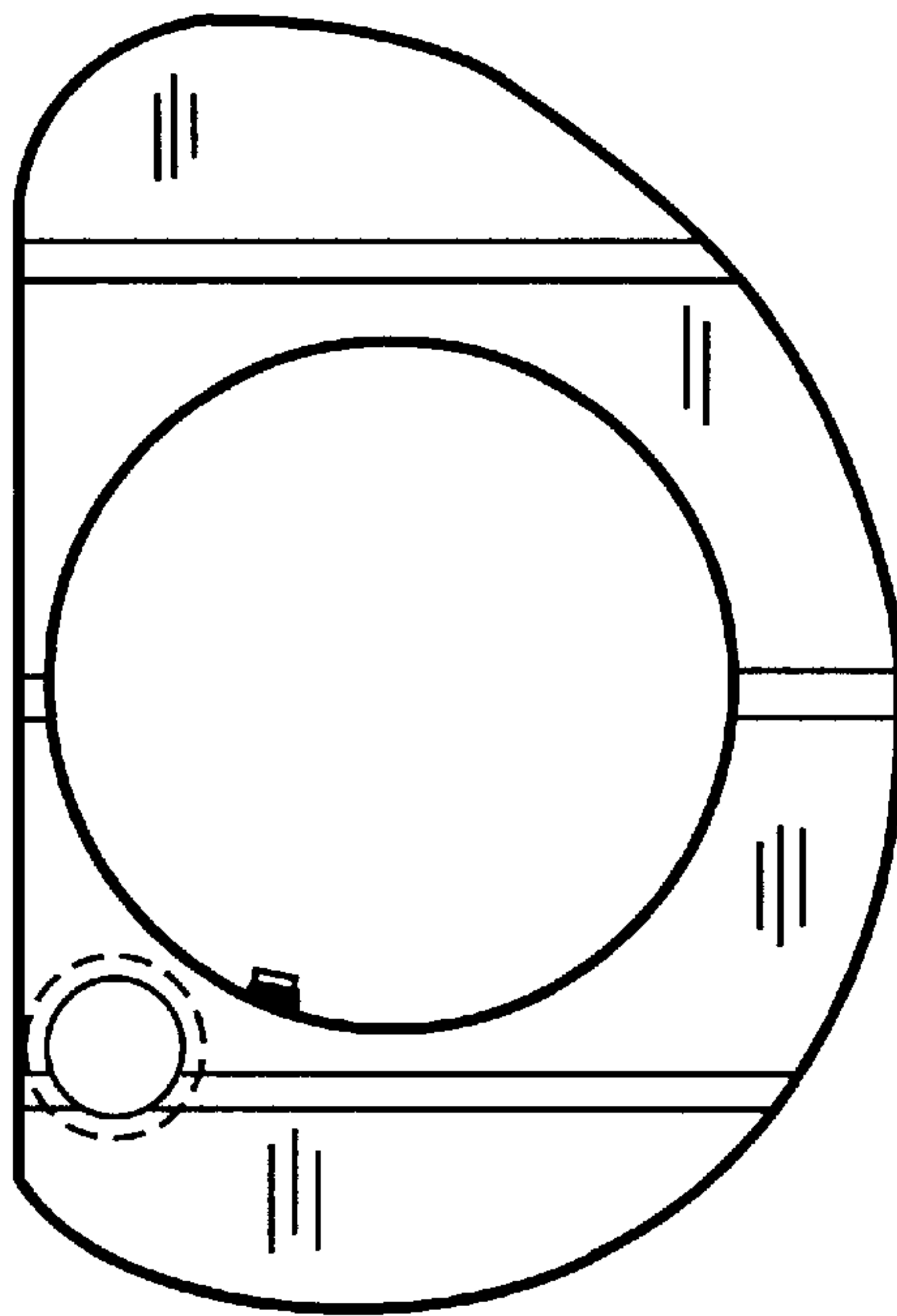


FIG. 6

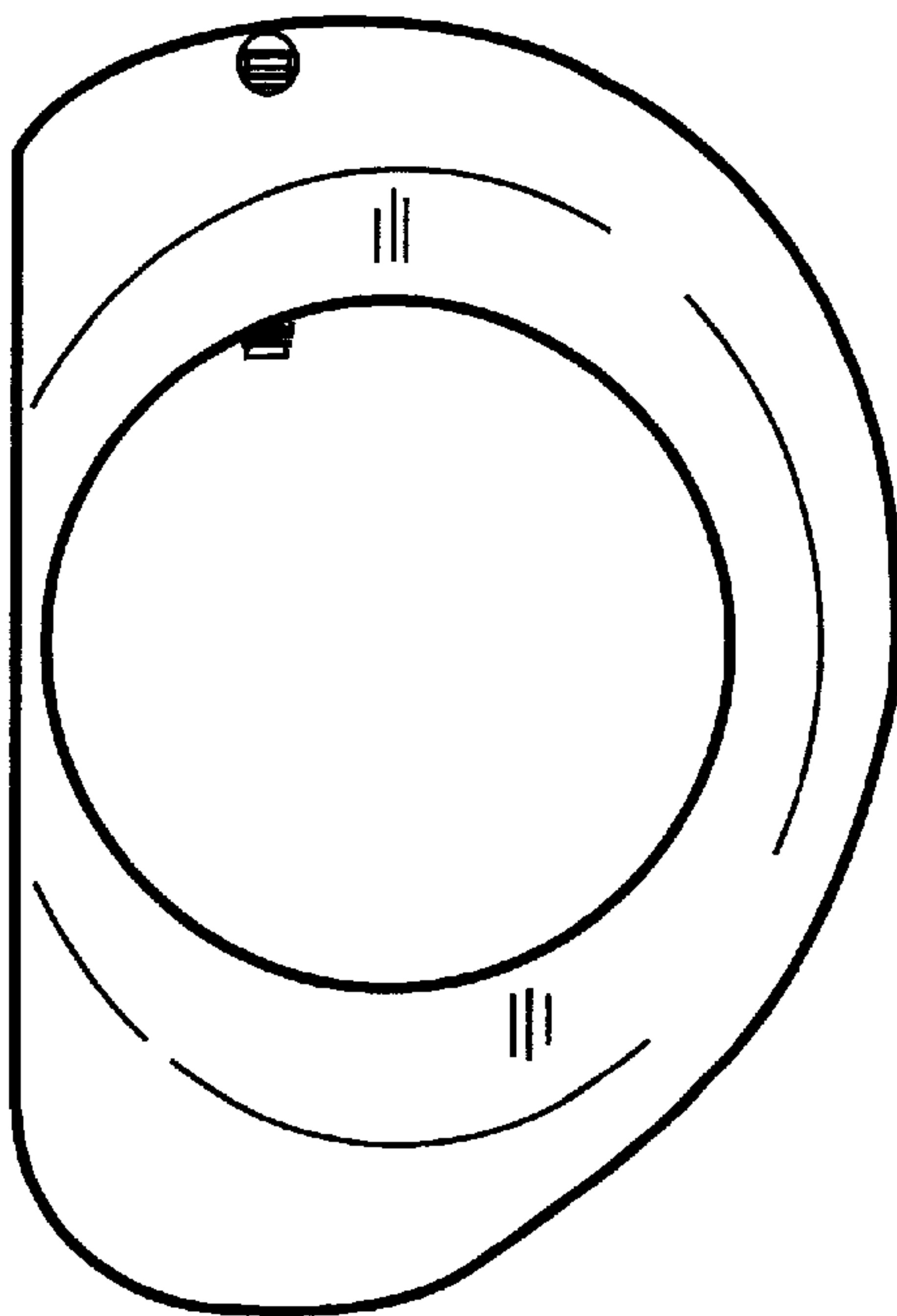


FIG. 7