



US00D424144S

United States Patent [19]
Sullivan

[11] **Patent Number: Des. 424,144**

[45] **Date of Patent: ** May 2, 2000**

[54] **RETRIEVER FOR REMOVING GOLF BALLS FROM WATER**

[76] Inventor: **Frank M. Sullivan**, 1537 Ellis La., Manteca, Calif. 95337

[**] Term: **14 Years**

[21] Appl. No.: **29/090,646**

[22] Filed: **Jul. 13, 1998**

[51] **LOC (7) Cl.** **21-02**

[52] **U.S. Cl.** **D21/721**

[58] **Field of Search** D21/721; 294/19.2

[56] **References Cited**

U.S. PATENT DOCUMENTS

721,196	2/1903	Jeffreys	294/19.2
3,215,293	11/1965	Kelly et al.	294/19.2
3,804,449	4/1974	Falitz	294/19.2
4,322,939	4/1982	McDonald	294/19.2
5,152,565	10/1992	Dodd	294/19.2
5,437,487	8/1995	Fulop	294/19.2

Primary Examiner—Philip S. Hyder
Assistant Examiner—Richelle Shelton
Attorney, Agent, or Firm—Basil Travis

[57] **CLAIM**

The ornamental design for a retriever for removing golf balls from water, as shown and described.

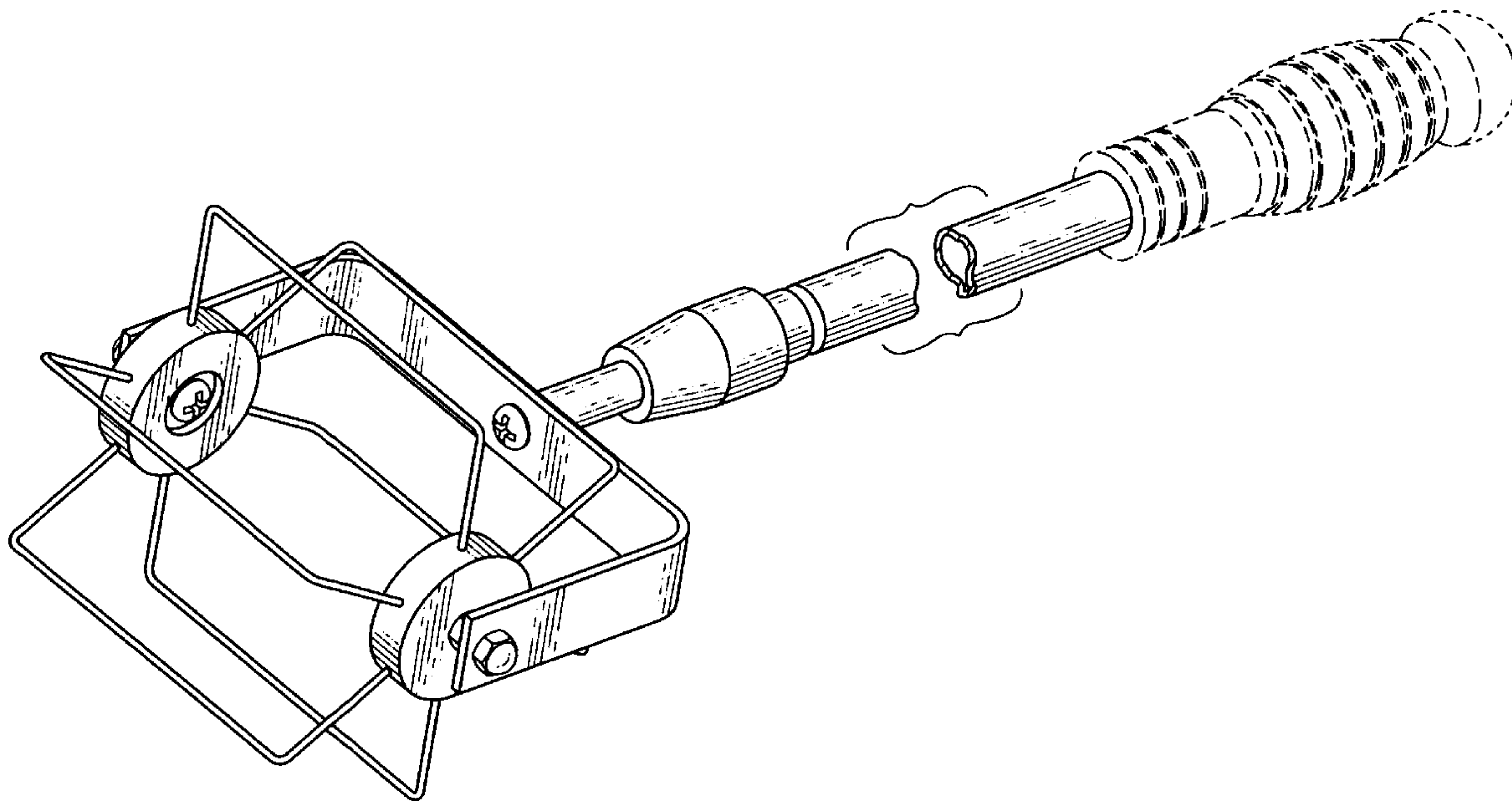
DESCRIPTION

FIG. 1 is a front, top and side perspective view of a retriever for removing golf balls from water showing my new design; FIG. 2 is a top plan view thereof; FIG. 3 is a bottom plan view; FIG. 4 is a front elevational view, the rear elevational view being a mirror image; and, FIG. 5 is a side elevational view, the opposite side being a mirror image thereof.

The broken line showing of the handle in FIGS. 1–5 is for illustrative purpose only and forms no part of the claimed design.

The shaft is shown bracketed in FIGS. 1, 5 and 6 to indicate indeterminate length.

1 Claim, 2 Drawing Sheets



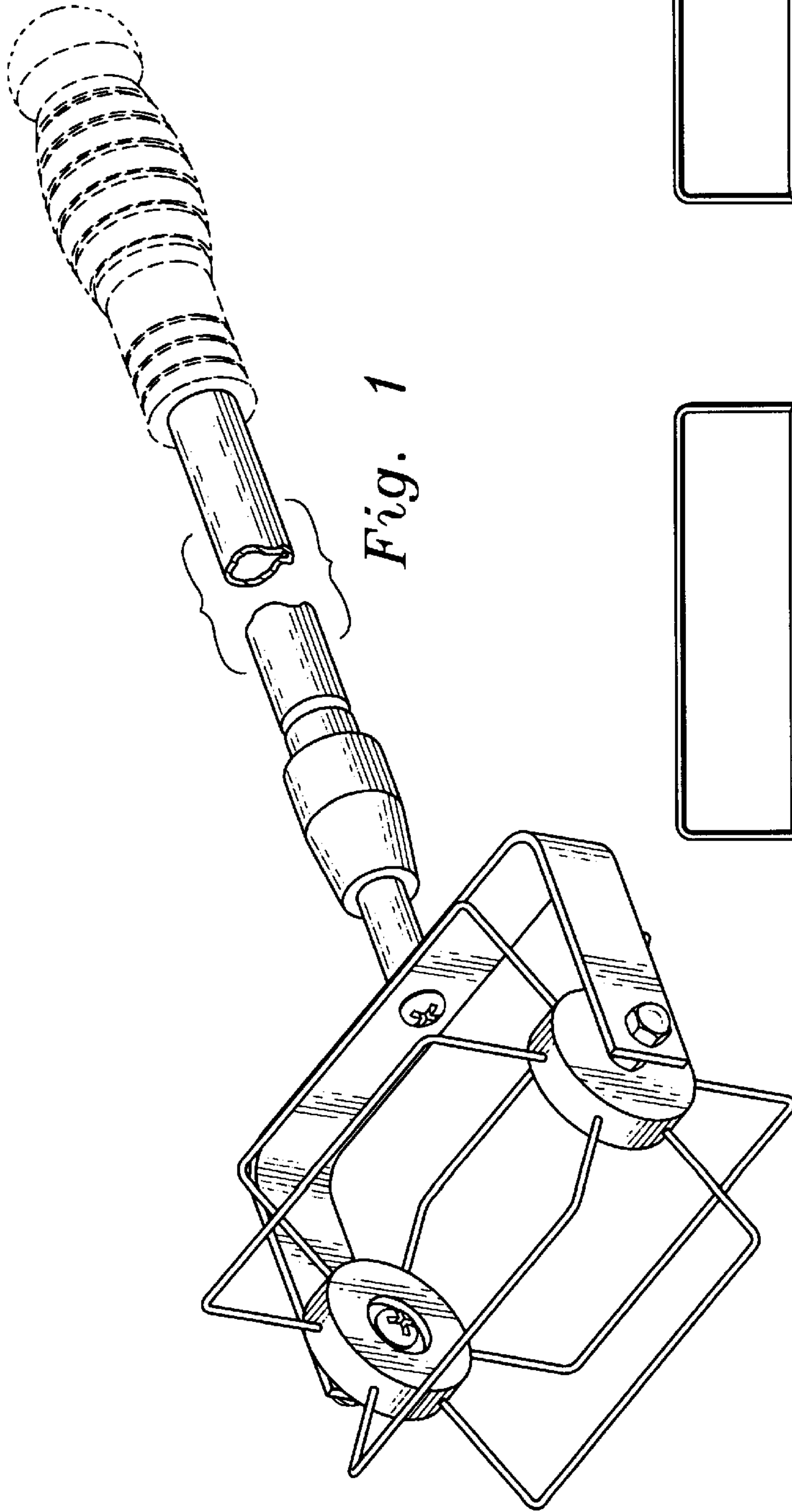


Fig. 1

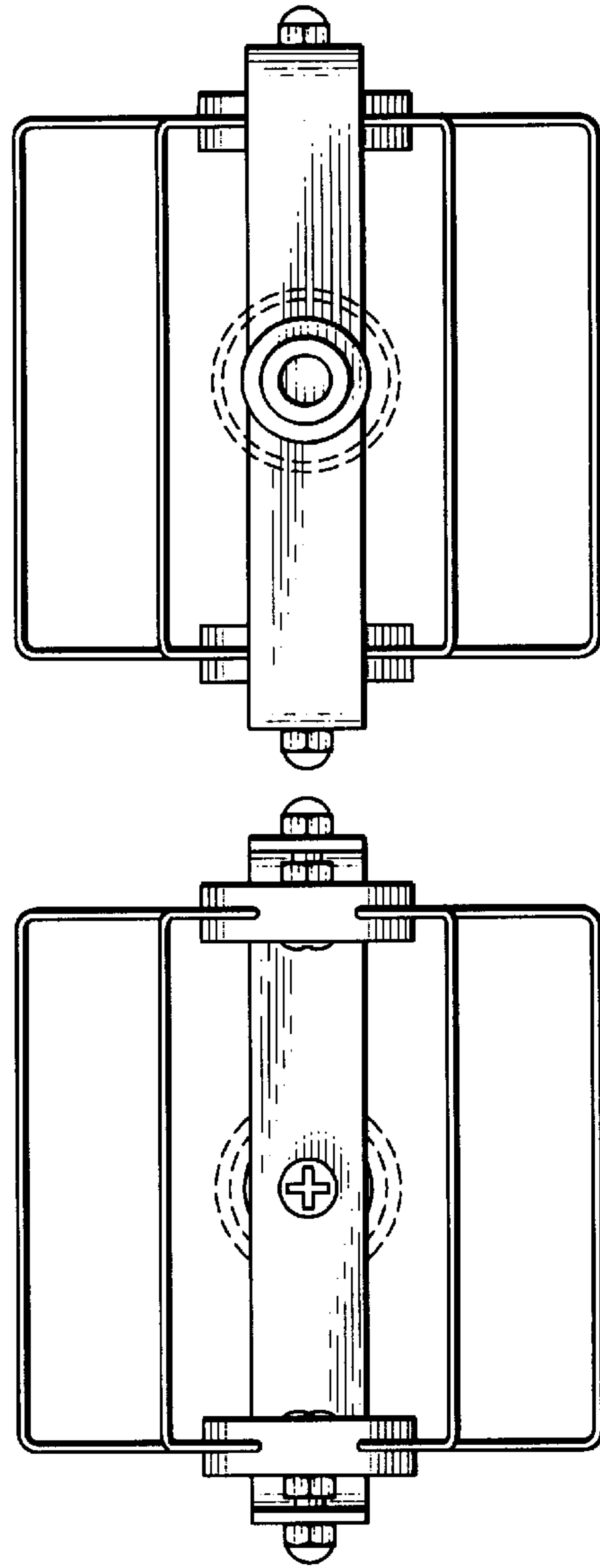


Fig. 2

Fig. 3

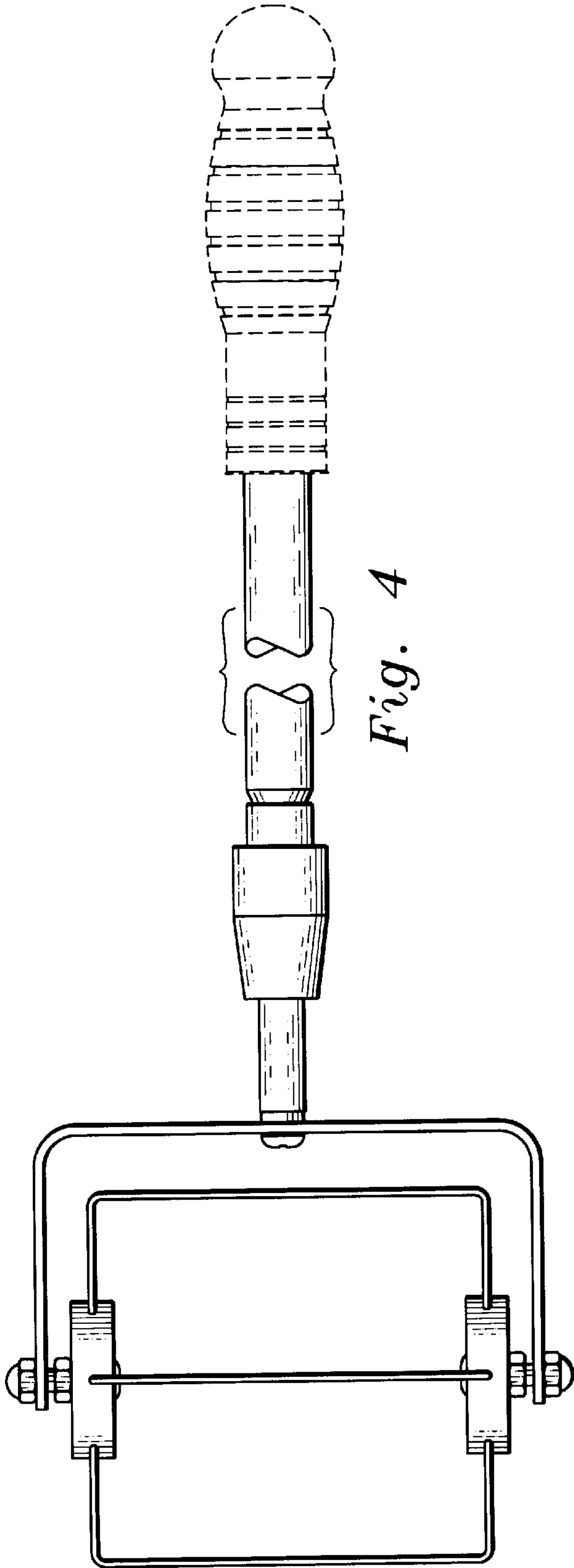


Fig. 4

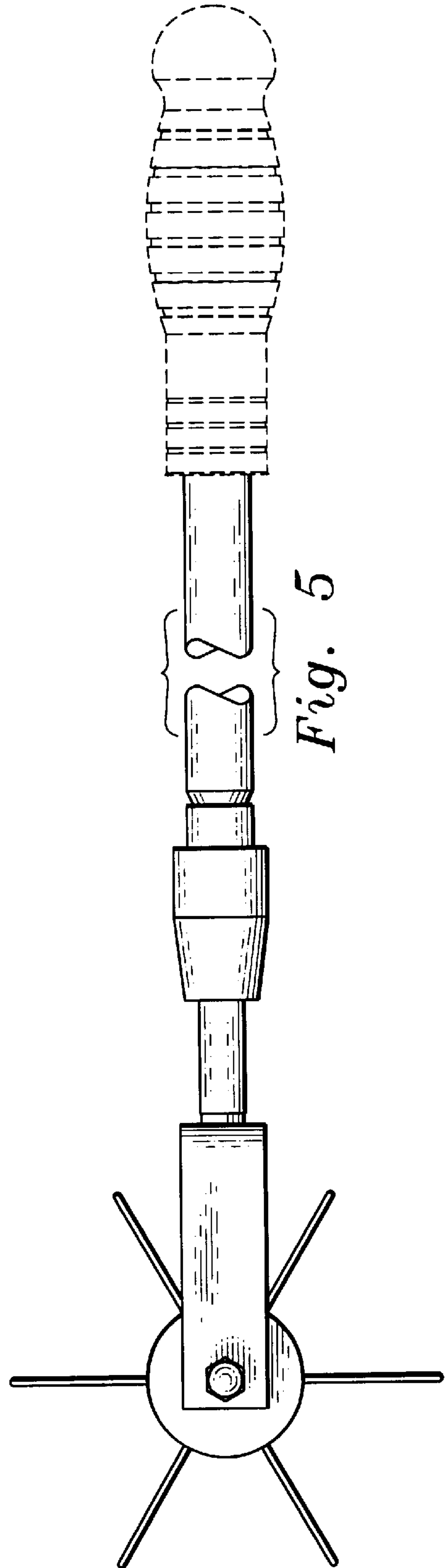


Fig. 5