



US00D424139S

United States Patent [19] Gwin

[11] Patent Number: Des. 424,139

[45] Date of Patent: ** May 2, 2000

[54] COMBINED TUB AND TANK TREADMILL

[76] Inventor: Steve Gwin, P.O. Box 250, Ozark, Mo. 65721

[**] Term: 14 Years

[21] Appl. No.: 29/099,898

[22] Filed: Jan. 29, 1999

[51] LOC (7) Cl. 21-02

[52] U.S. Cl. D21/669

[58] Field of Search D21/662, 668, 670, 678; D23/277; 482/54, 57, 111, 148

[56] References Cited

U.S. PATENT DOCUMENTS

| | | | | |
|------------|---------|----------------|-------|---------|
| D. 370,508 | 6/1996 | Drennan | | D21/669 |
| D. 374,046 | 9/1996 | Drennan | | D21/669 |
| 4,576,376 | 3/1986 | Miller | | 482/54 |
| 4,712,788 | 12/1987 | Gaudreau, Jr. | | 482/54 |
| 4,776,581 | 10/1988 | Shepherdson | | 482/54 |
| 4,918,766 | 4/1990 | Leonageo, Jr. | | 482/54 |
| 4,938,469 | 7/1990 | Crandell | | 482/54 |
| 5,002,015 | 3/1991 | Sampson et al. | | 119/29 |
| 5,108,088 | 4/1992 | Keller et al. | | 482/5 |

| | | | | |
|-----------|--------|---------|-------|---------|
| 5,295,929 | 3/1994 | Weisz | | 482/54 |
| 5,558,604 | 9/1996 | Hopkins | | 482/54 |
| 5,647,826 | 7/1997 | Butler | | 482/111 |
| 5,752,899 | 5/1998 | Ballard | | 482/111 |

Primary Examiner—Philip S. Hyder
Attorney, Agent, or Firm—Chase & Yakimo, L.C.

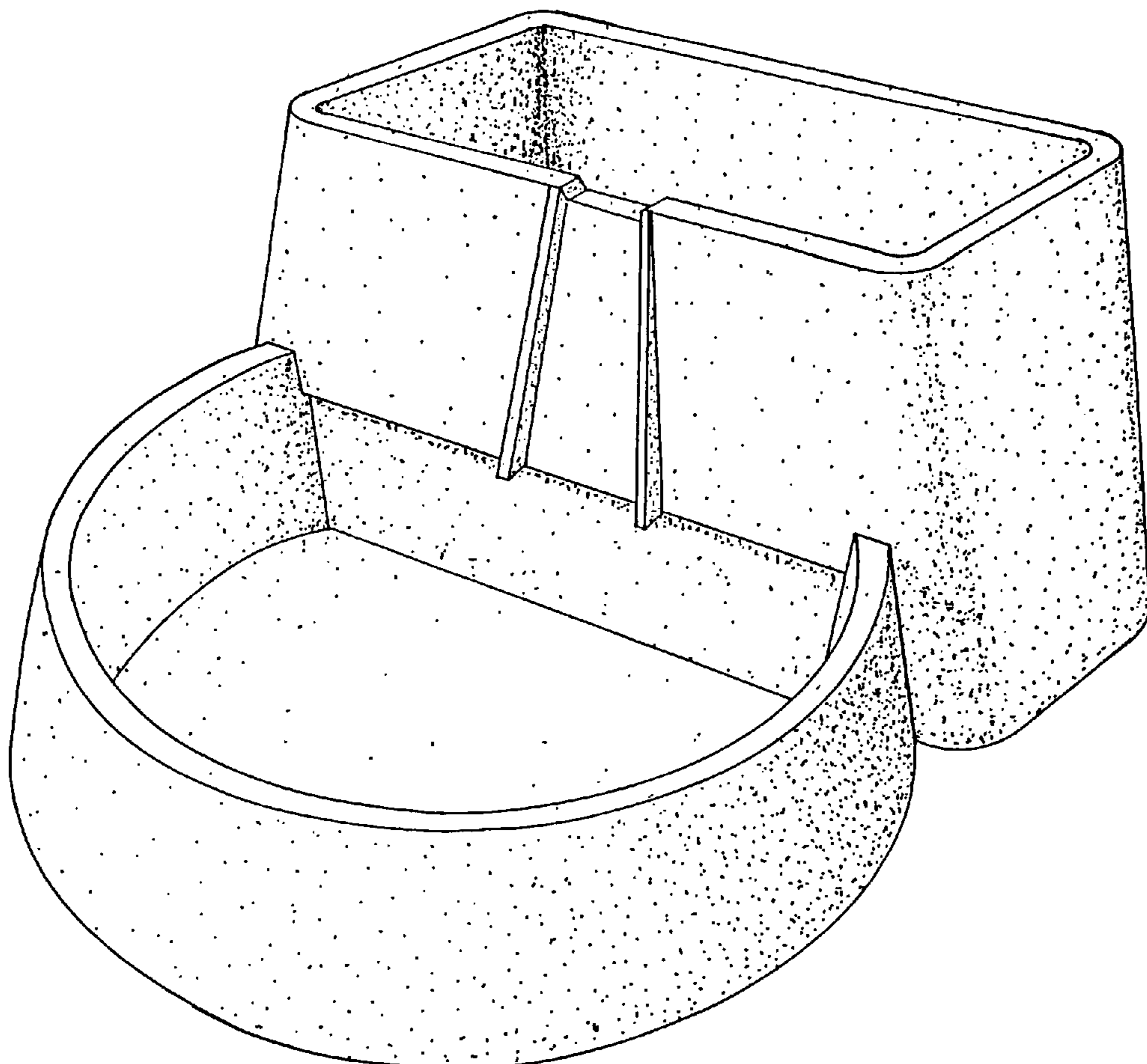
[57] CLAIM

The ornamental design for a combined tub and tank treadmill, as shown and described.

DESCRIPTION

FIG. 1 is a perspective view of the combined tub and tank treadmill showing my new design;
 FIG. 2 is a top view of the combined tub and tank treadmill of FIG. 1;
 FIG. 3 is a bottom view of the combined tub and tank treadmill of FIG. 1;
 FIG. 4 is side view of the combined tub and tank treadmill of FIG. 1, it being understood that the opposed side view is a mirror image thereof;
 FIG. 5 is a front view of the combined tub and tank treadmill of FIG. 1; and,
 FIG. 6 is a rear view of the combined tub and tank treadmill of FIG. 1.

1 Claim, 3 Drawing Sheets



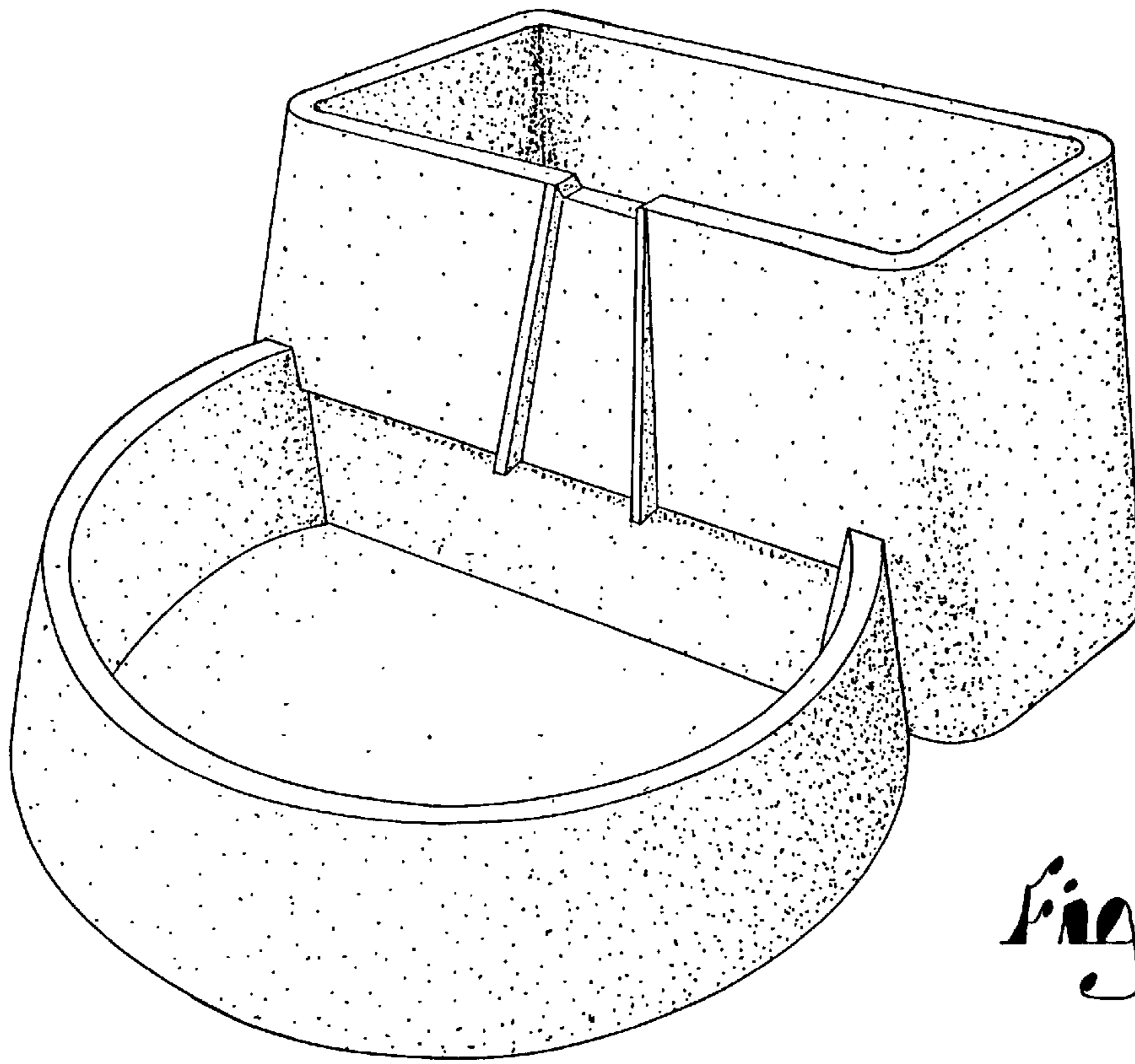


Fig. 1

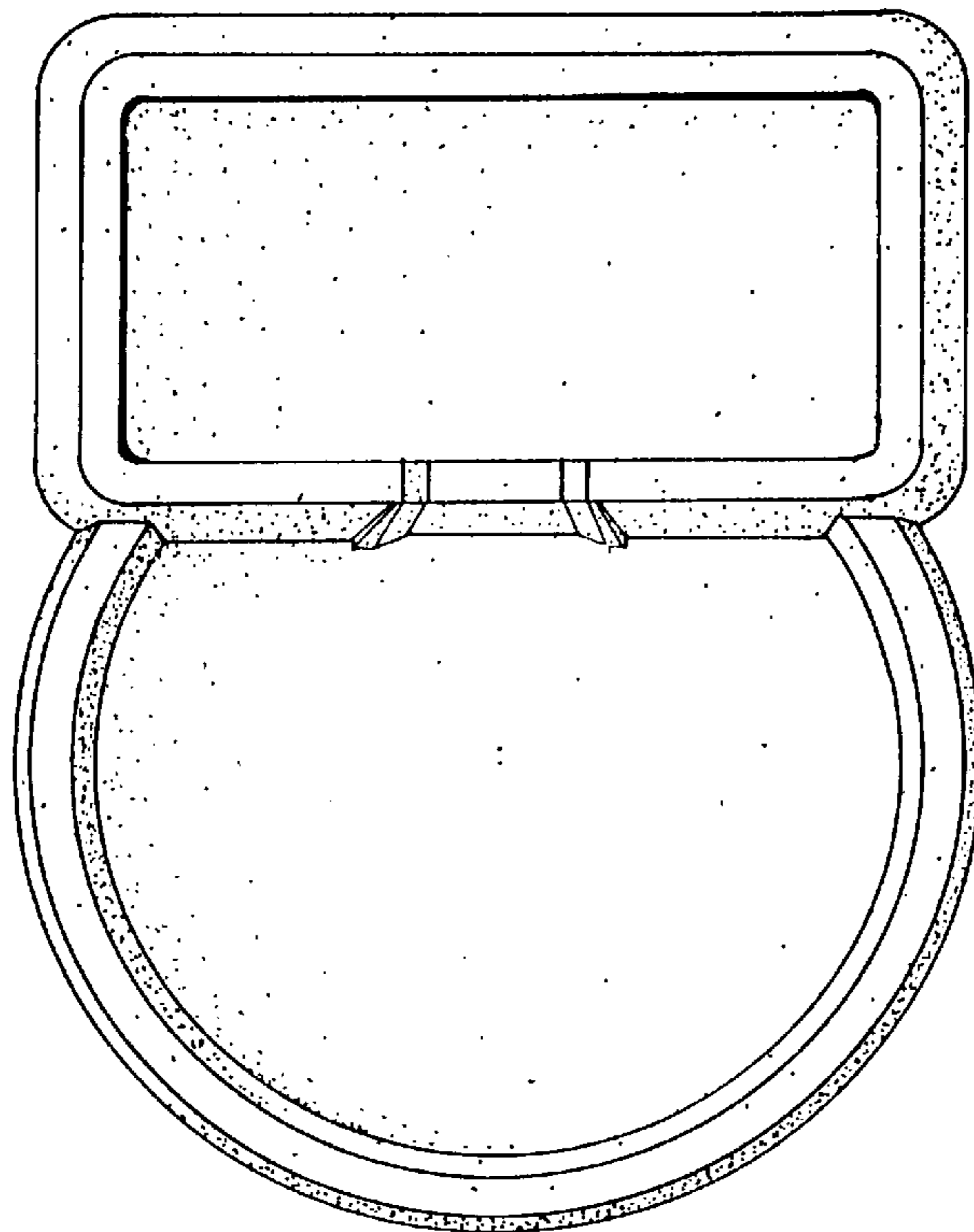


Fig. 2

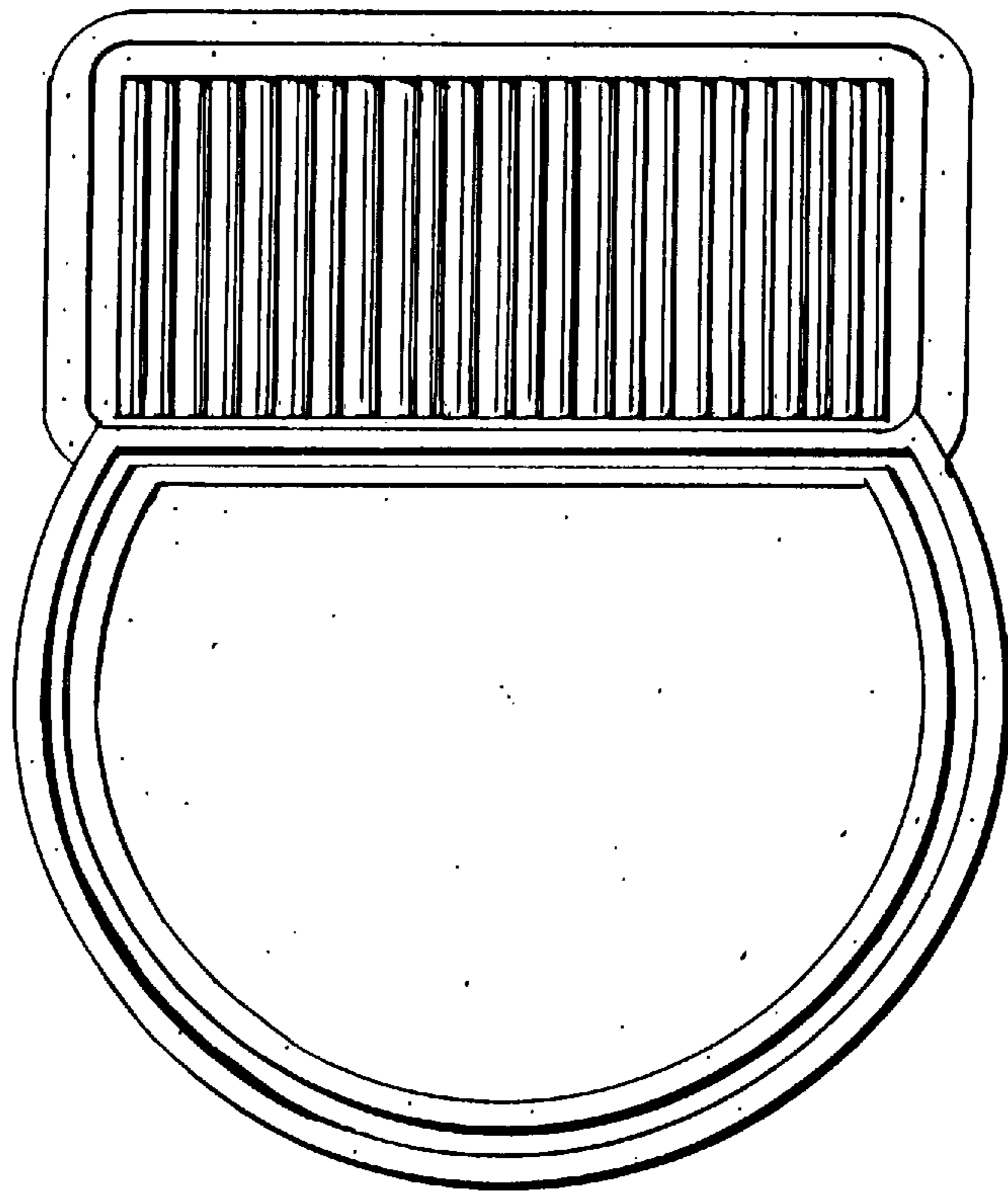


Fig. 3

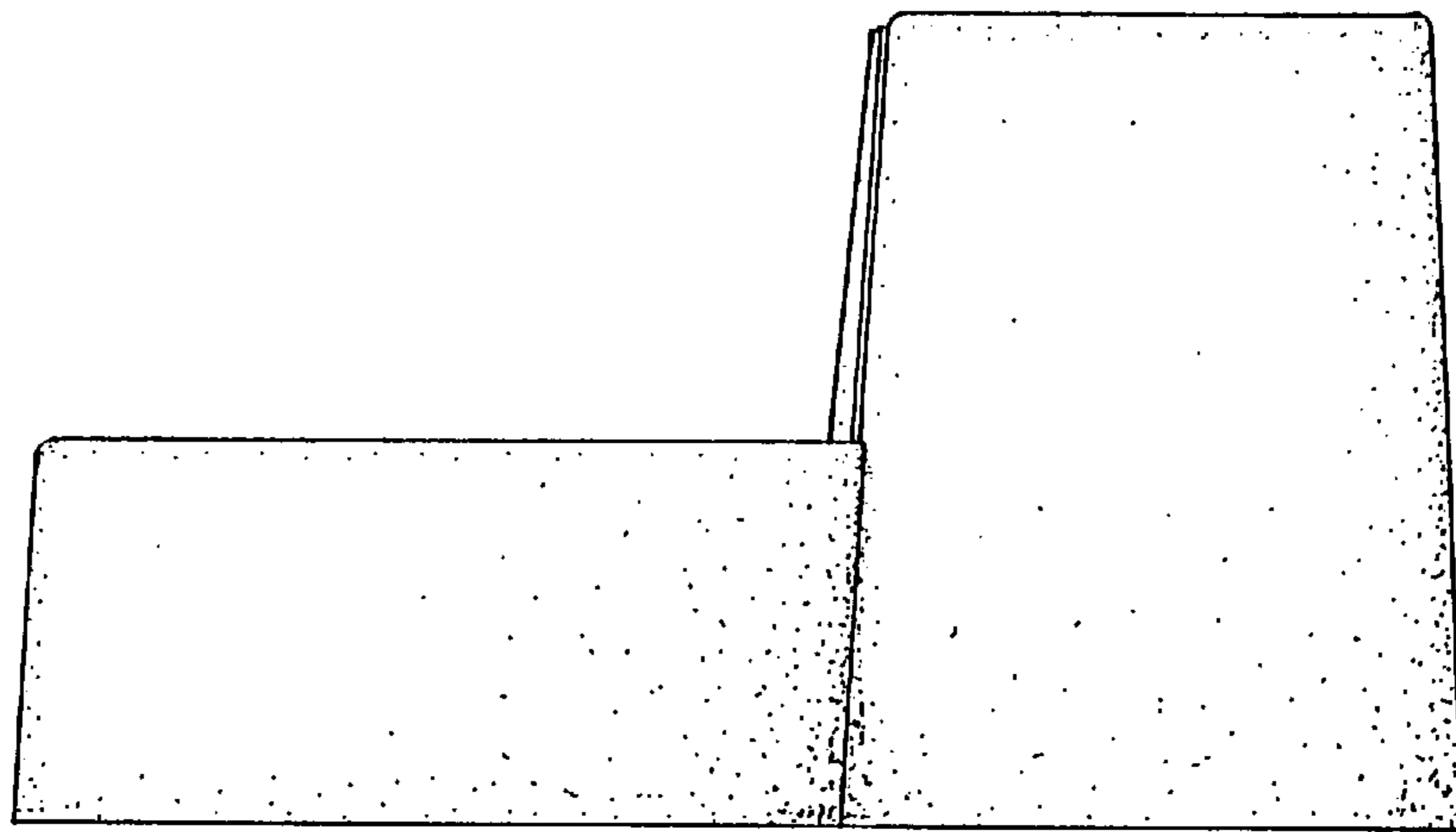


Fig. 4

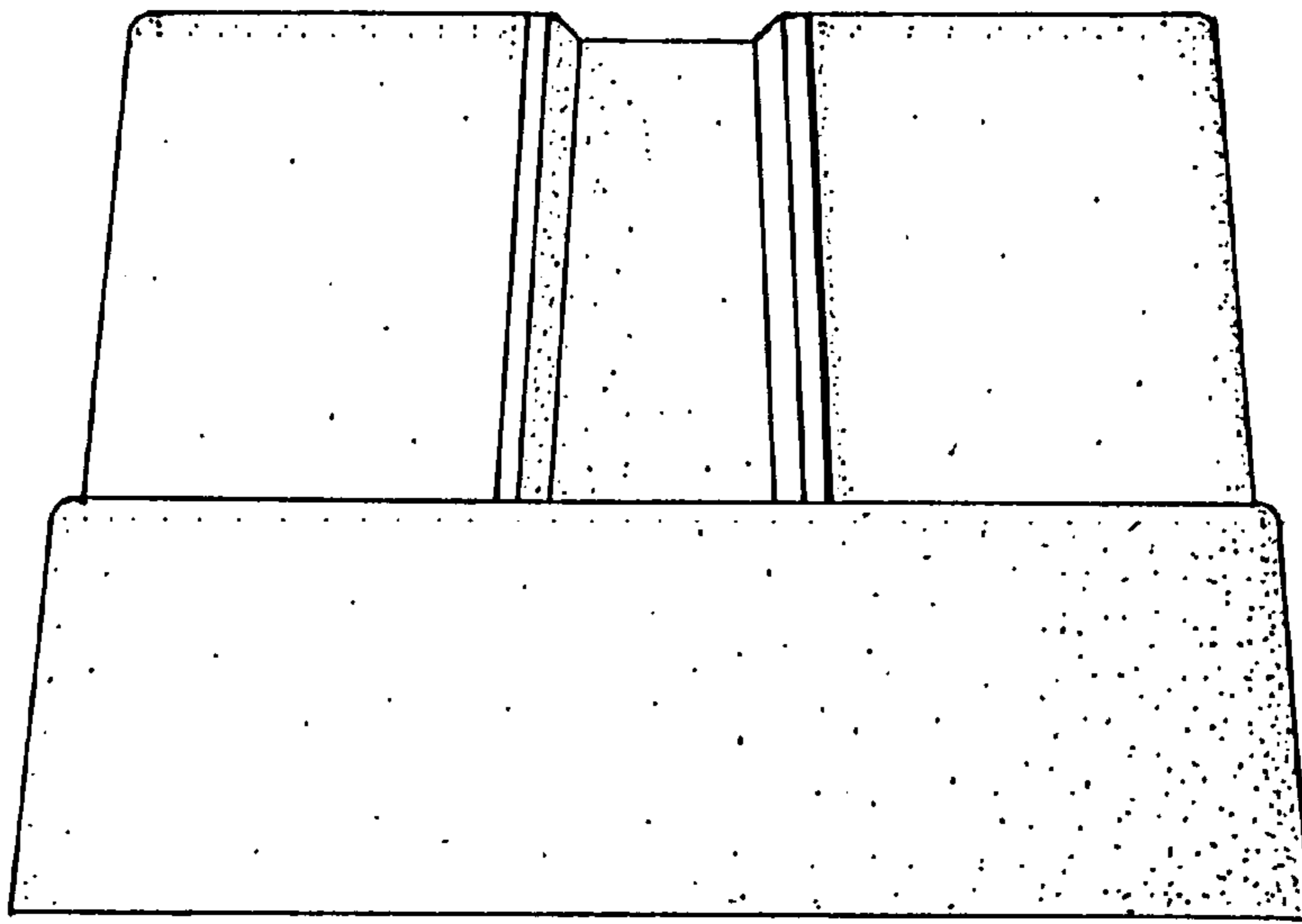


Fig. 5

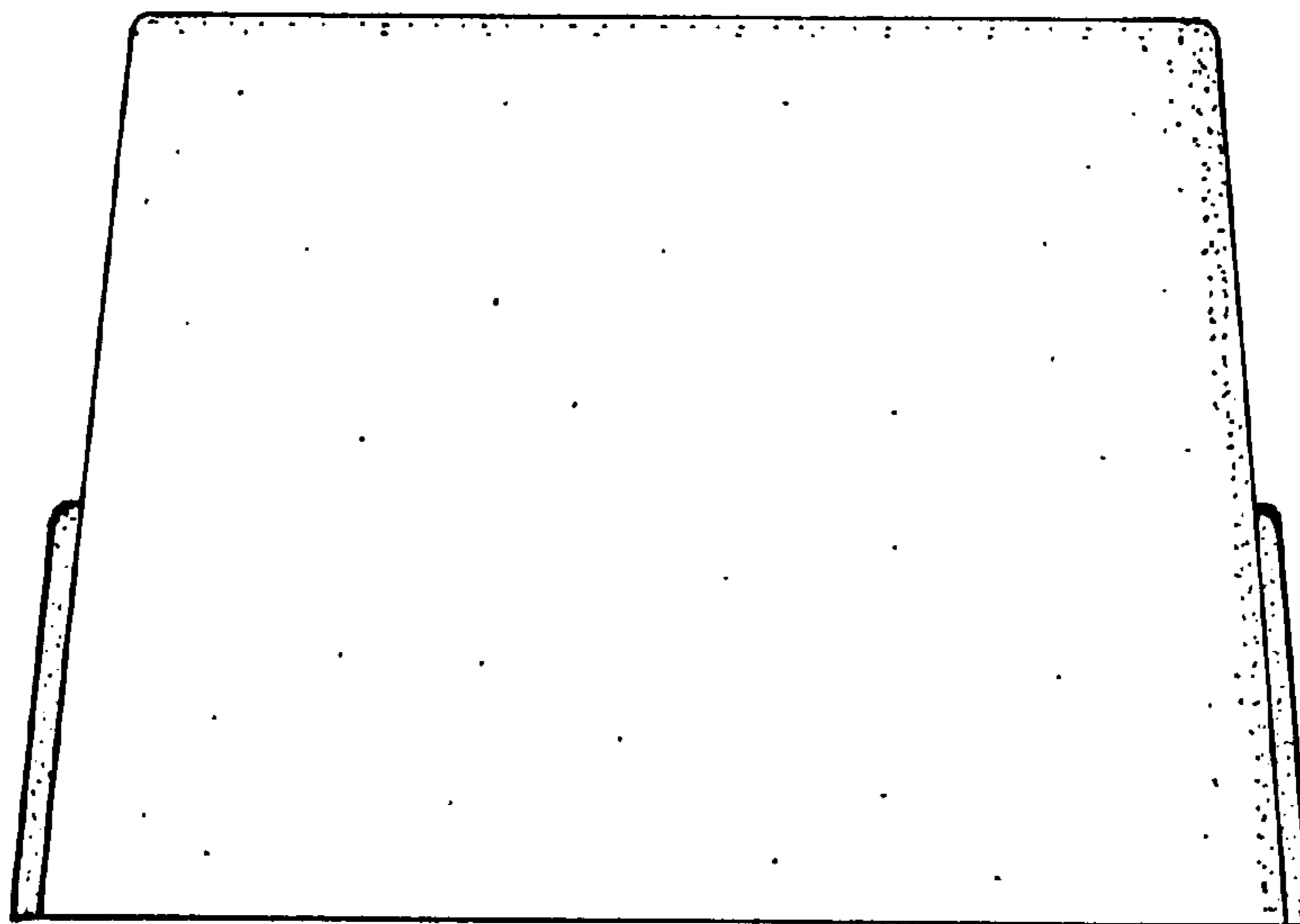


Fig. 6