



US00D424137S

United States Patent [19]

Barker et al.

[11] Patent Number: **Des. 424,137**

[45] Date of Patent: **** May 2, 2000**

[54] EXERCISE TREADMILL

[75] Inventors: **Paul D. Barker**, Woodinville; **Peter J. Arnold**, Seattle, both of Wash.

[73] Assignee: **Precor Incorporated**, Bothell, Wash.

[**] Term: **14 Years**

[21] Appl. No.: **29/094,989**

[22] Filed: **Oct. 14, 1998**

[51] LOC (7) Cl. **21-02**

[52] U.S. Cl. **D21/669**

[58] Field of Search D21/662, 668,
D21/669; 482/51, 52, 54, 70, 71

[56] **References Cited**

U.S. PATENT DOCUMENTS

D. 280,002	8/1985	Smith	D21/669
D. 289,312	4/1987	Trulaske et al.	D21/669
D. 302,837	8/1989	Sherrard	D21/669
D. 392,351	3/1998	Coody et al.	D21/669

D. 393,297	4/1998	McBride et al.	D21/669
5,591,106	1/1997	Dalebout et al.	482/54
5,674,453	10/1997	Waterson et al.	482/54

Primary Examiner—Philip S. Hyder
Attorney, Agent, or Firm—Christensen O'Connor Johnson & Kindness PLLC

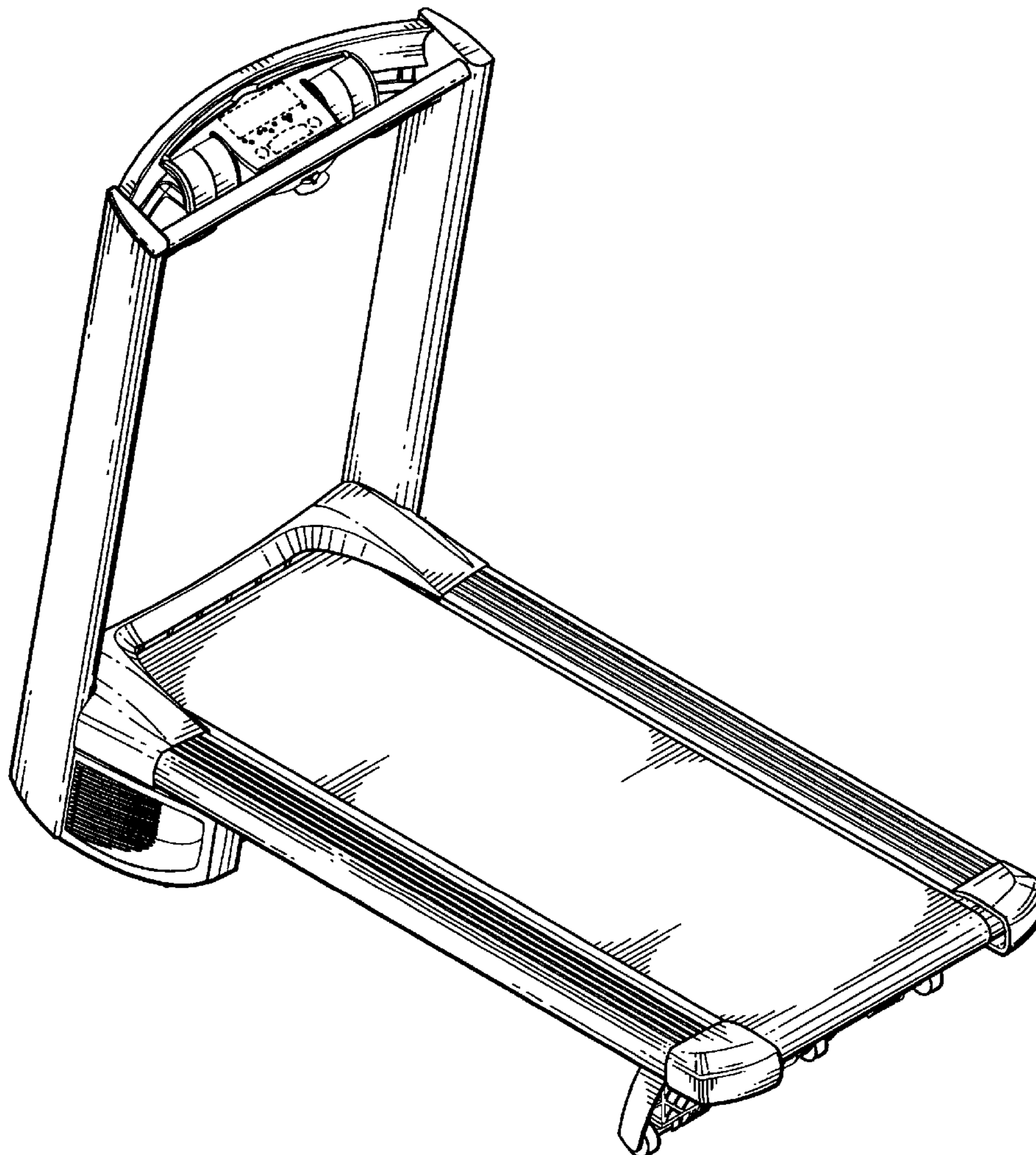
[57] **CLAIM**

The ornamental design for an exercise treadmill, as shown and described.

DESCRIPTION

FIG. 1 is a rear isometric view of the subject design; FIG. 2 is a side view of the subject design; FIG. 3 is a side view of the subject design taken from the side of the exercise treadmill opposite to that shown in FIG. 2; FIG. 4 is a top view to the subject design; FIG. 5 is a bottom view of the subject design; FIG. 6 is a front view of the subject design; and, FIG. 7 is a rear view of the subject design.

1 Claim, 4 Drawing Sheets



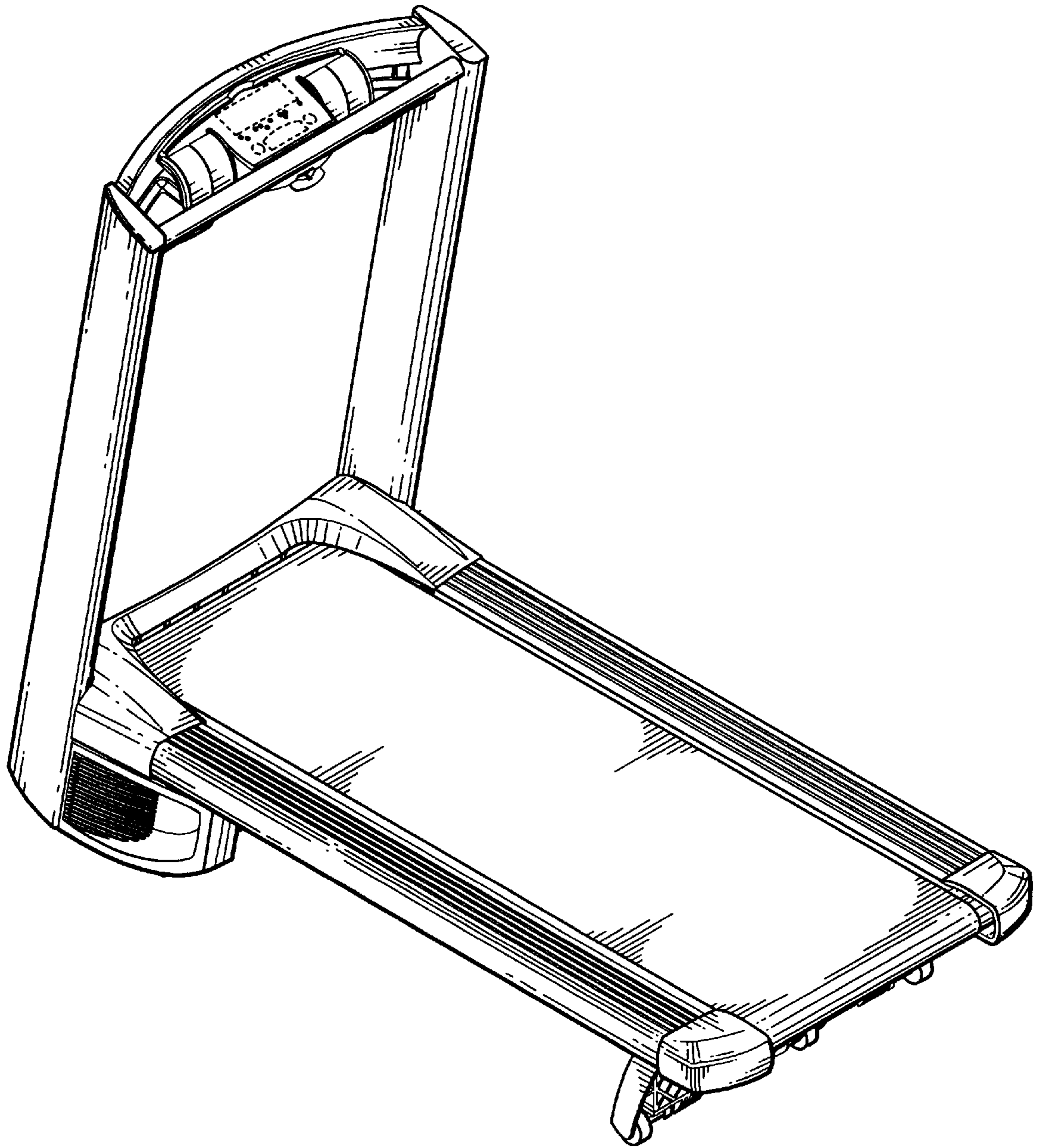


Fig. 1

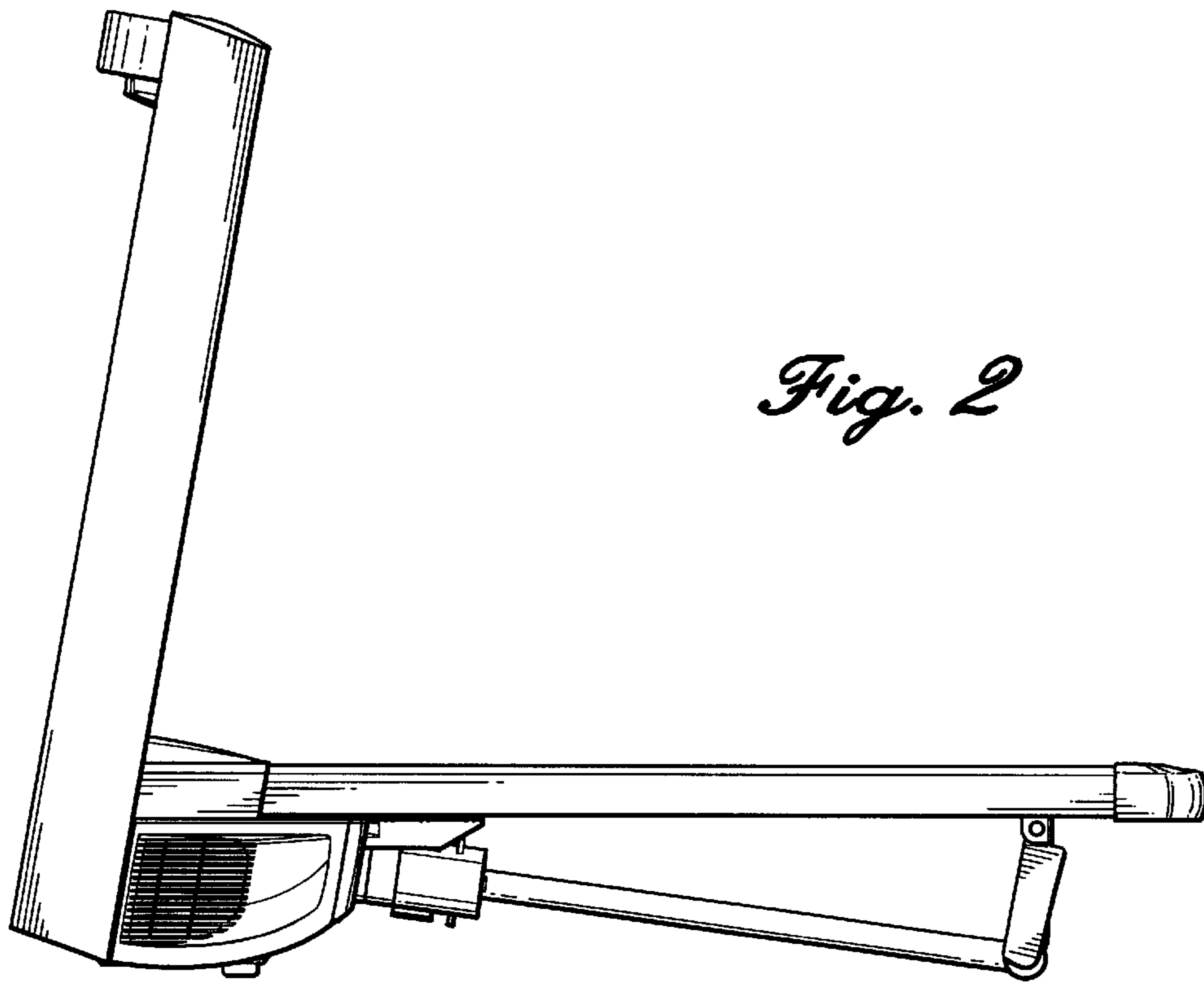


Fig. 2

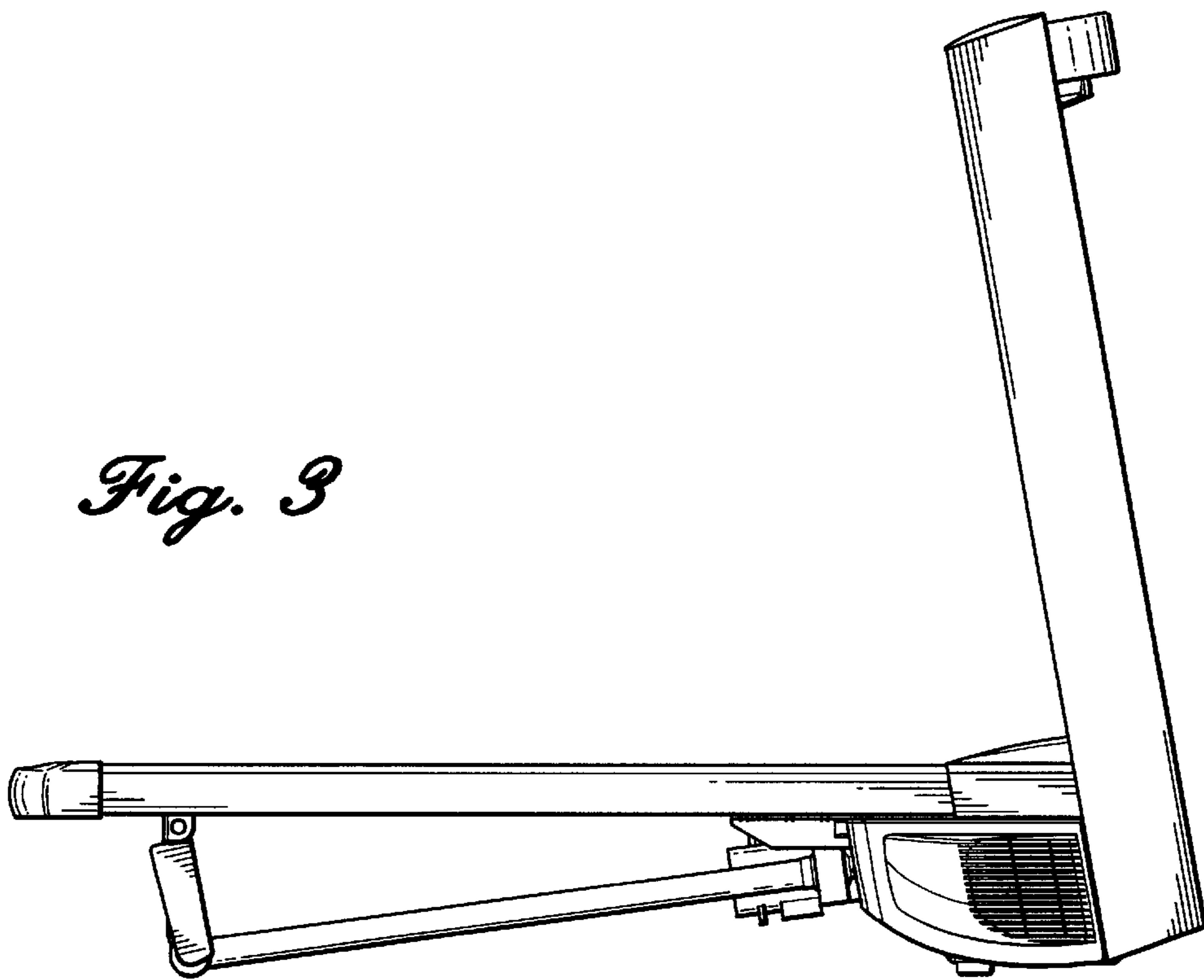


Fig. 3

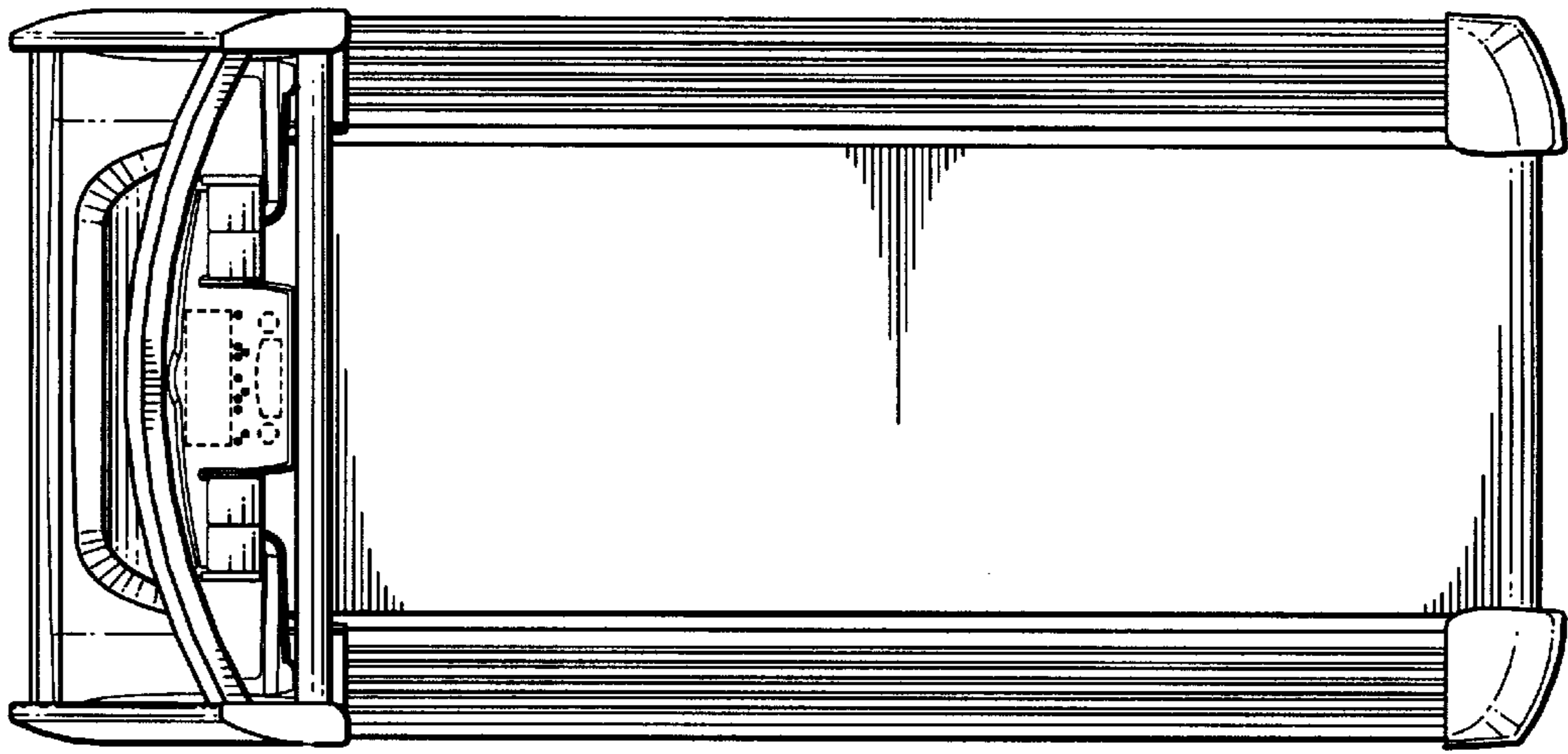


Fig. 4

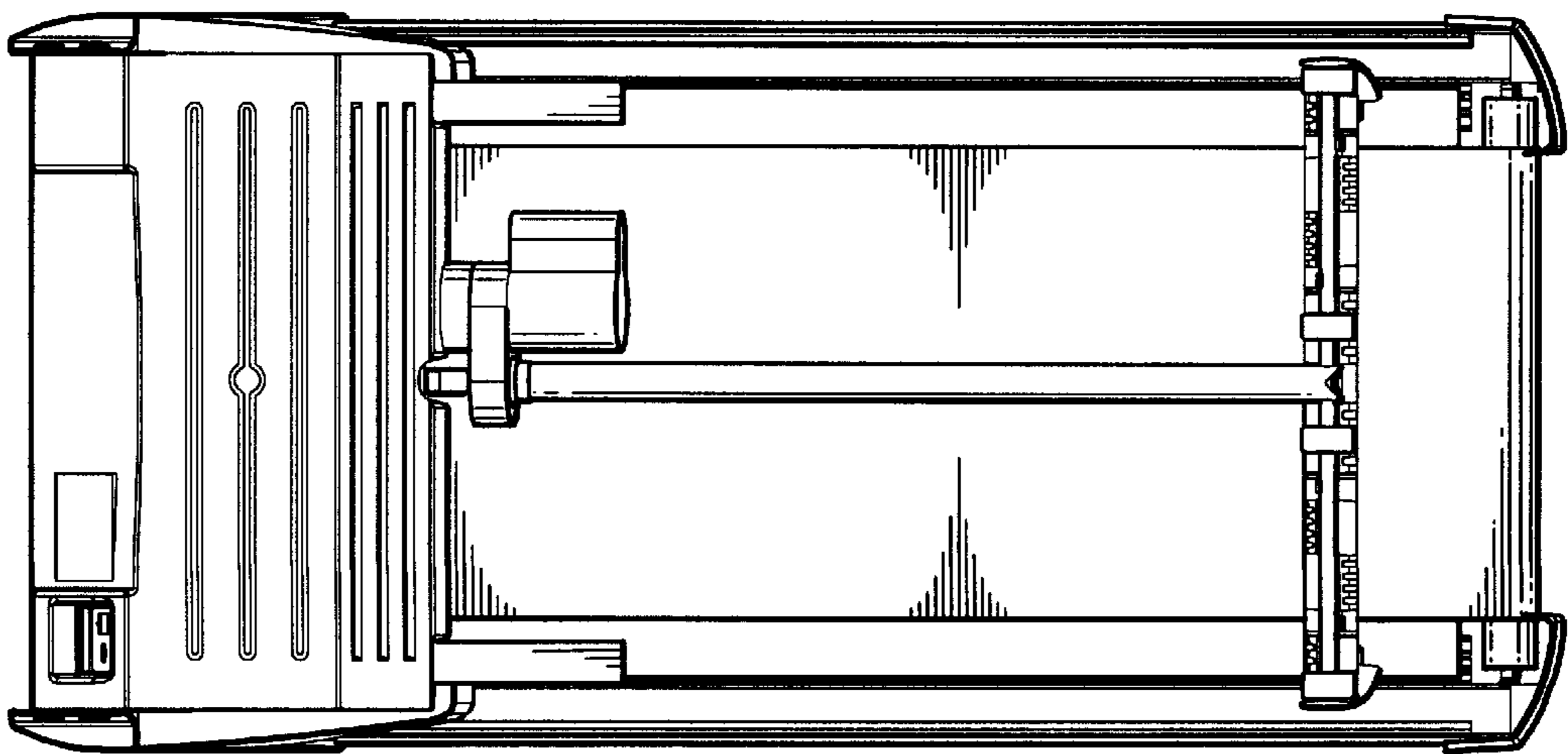


Fig. 5

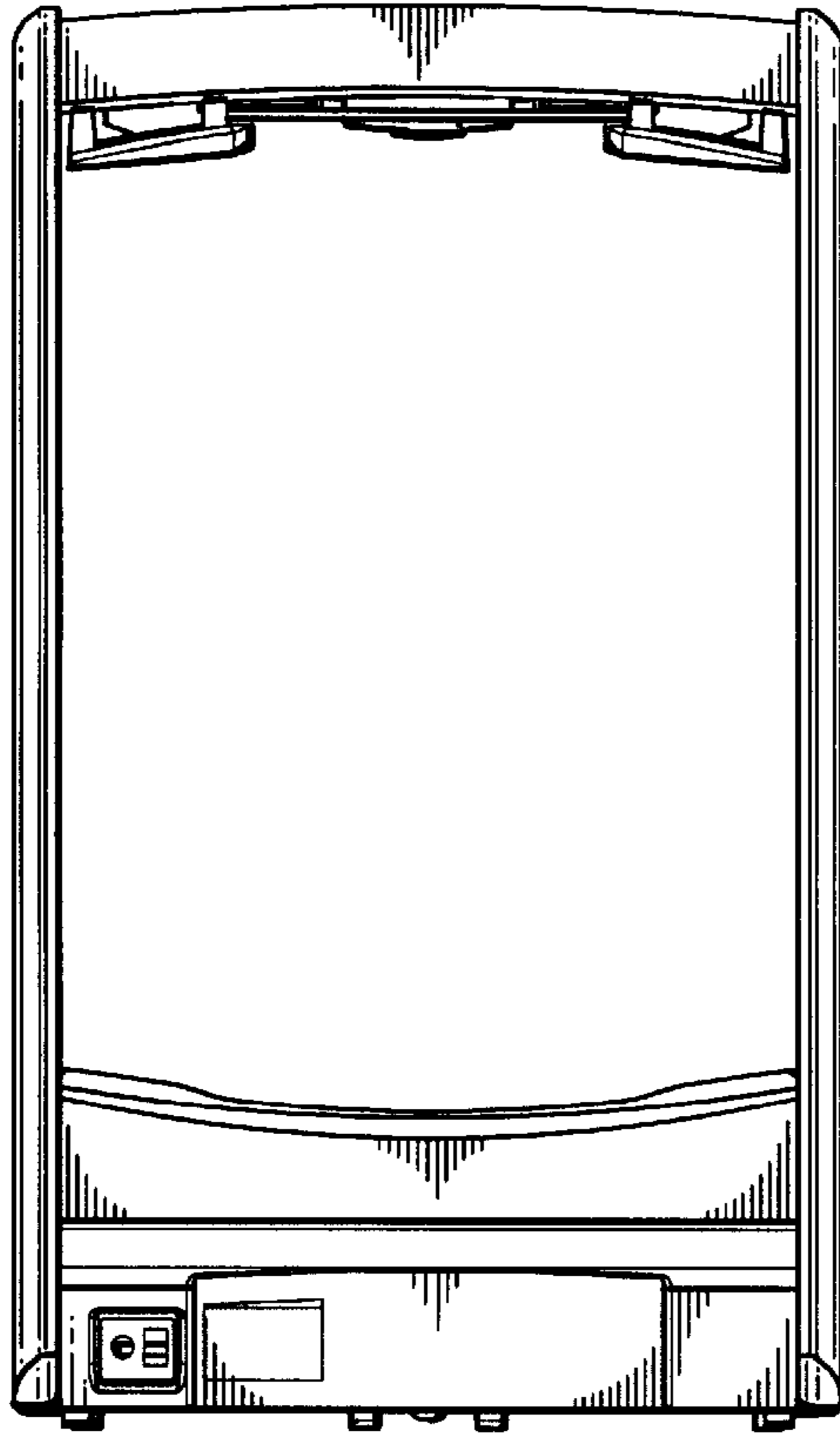


Fig. 6

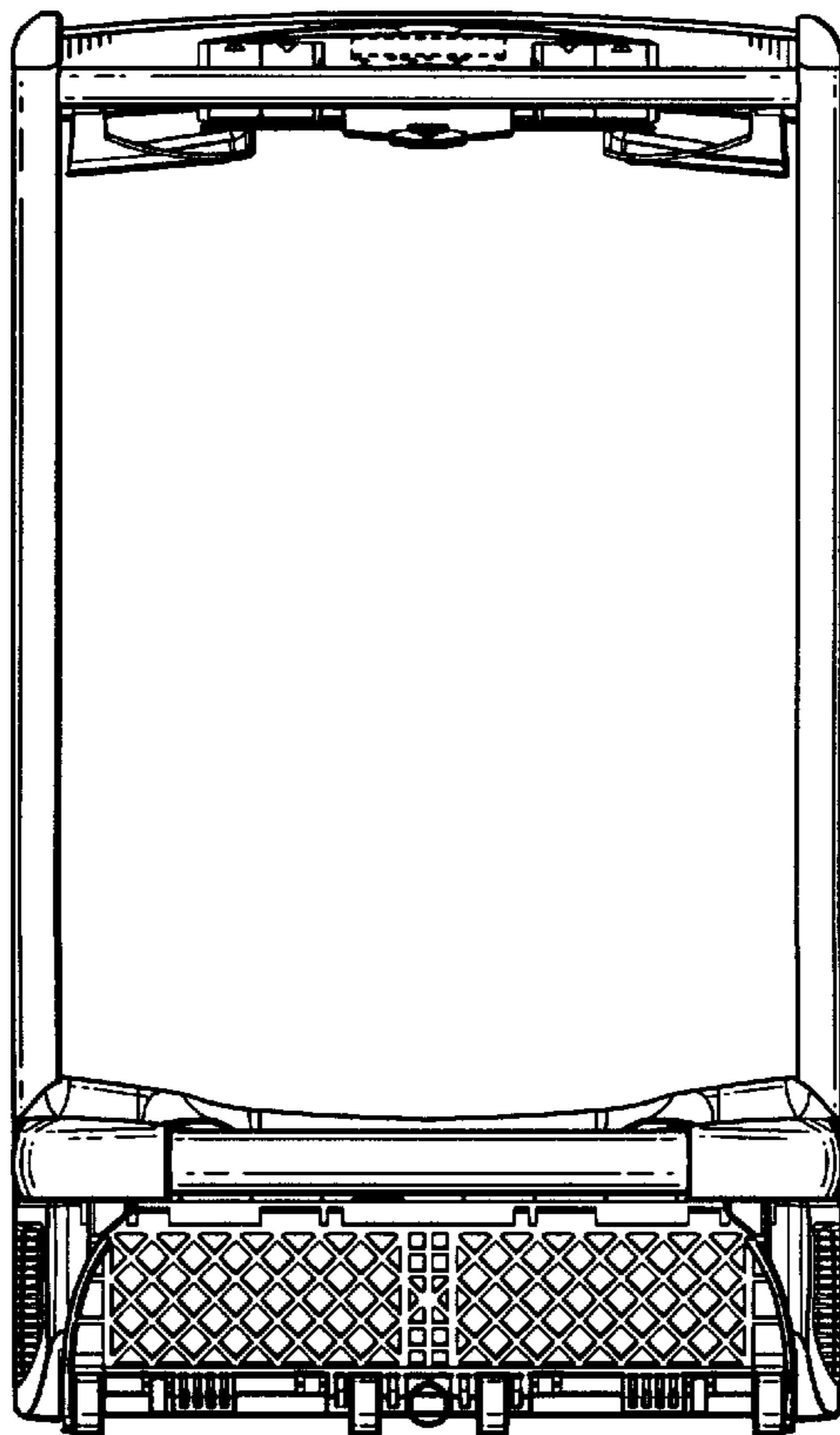


Fig. 7