



US00D424133S

United States Patent [19]

Hollis et al.

[11] Patent Number: **Des. 424,133**

[45] Date of Patent: **** May 2, 2000**

[54] **RECONFIGURABLE TOY VEHICLE**

[75] Inventors: **John Hollis; Christine Hollis**, both of Topanga Canyon, Calif.

[73] Assignee: **May Cheong Toy Products Factory Ltd.**, Kowloon, The Hong Kong Special Administrative Region of the People's Republic of China

[**] Term: **14 Years**

[21] Appl. No.: **29/109,388**

[22] Filed: **Aug. 13, 1999**

[51] **LOC (7) Cl.** **21-01**

[52] **U.S. Cl.** **D21/552**

[58] **Field of Search** D21/533, 537, D21/539, 552-560, 579-583, 433, 442, 447; D12/1, 2, 12, 93, 96; 446/429, 430, 465, 470, 471, 487; 280/87.01, 87.021

[56] **References Cited**

U.S. PATENT DOCUMENTS

- D. 256,188 8/1980 Davidson D21/552
- D. 262,391 12/1981 Kanaoki D21/552

- D. 267,936 2/1983 Jannell et al. D12/96
- D. 295,299 4/1988 Shibukawa D21/442
- D. 301,264 5/1989 Ishizawa D21/580
- D. 302,448 7/1989 Shinohara D21/582
- D. 364,591 11/1995 Lewellen et al. D12/96
- 5,810,638 9/1998 Wood 446/487
- 5,924,910 7/1999 Liu 446/487

Primary Examiner—Raphael Barkai
Attorney, Agent, or Firm—Alix, Yale & Ristas, LLP

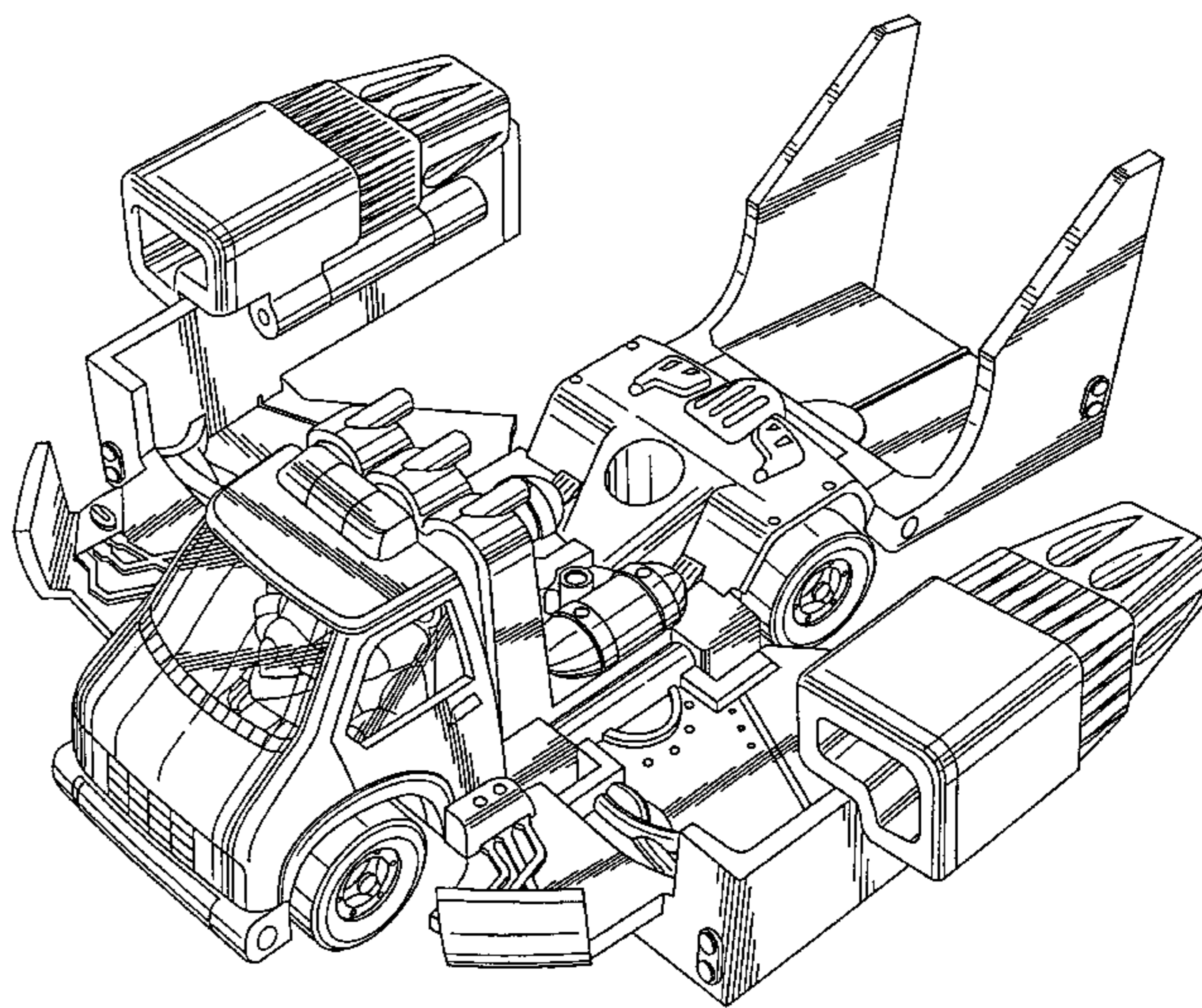
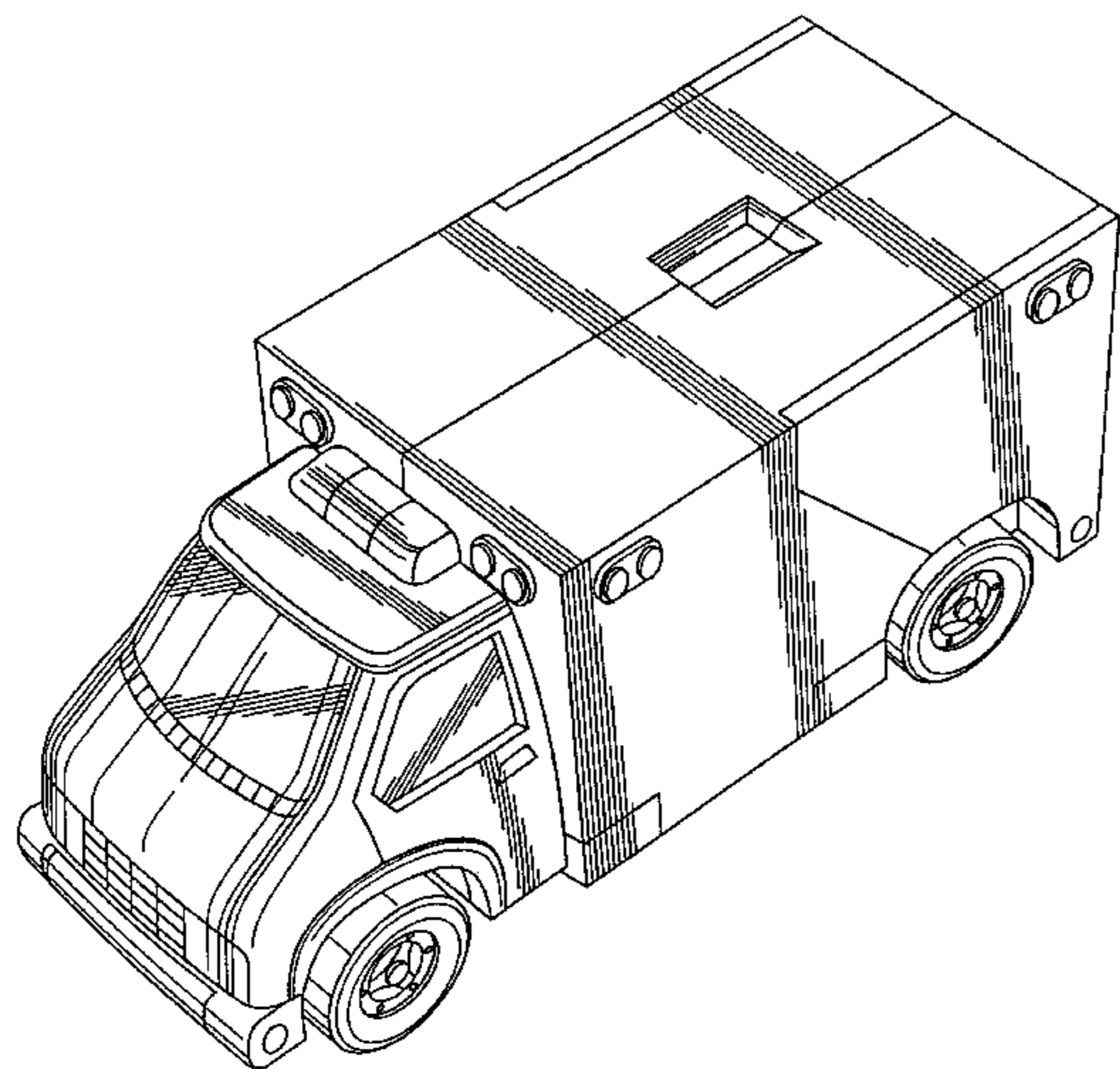
[57] **CLAIM**

The ornamental design for a reconfigurable toy vehicle, as shown and described.

DESCRIPTION

FIG. 1 is a front elevational view of a reconfigurable toy vehicle showing our new design; FIG. 2 is a rear elevational view thereof; FIG. 3 is a left side elevational view thereof; FIG. 4 is a right side elevational view thereof; FIG. 5 is a top plan view thereof; FIG. 6 is a bottom plan view thereof; FIG. 7 is a top perspective view thereof; and, FIG. 8 is a perspective view of the design shown in FIG. 1 through 7 in a reconfigurable condition.

1 Claim, 5 Drawing Sheets



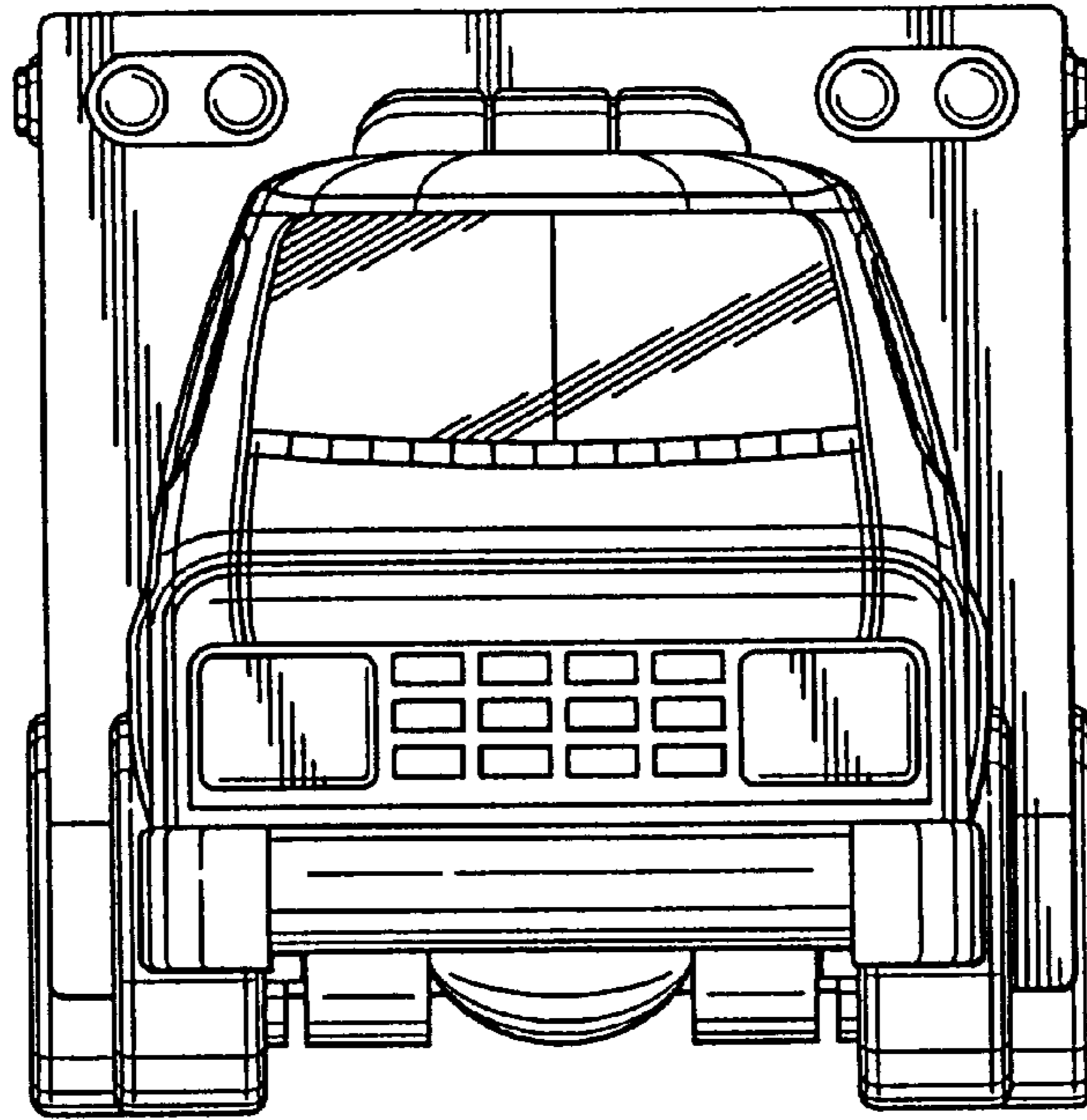


FIG. 1

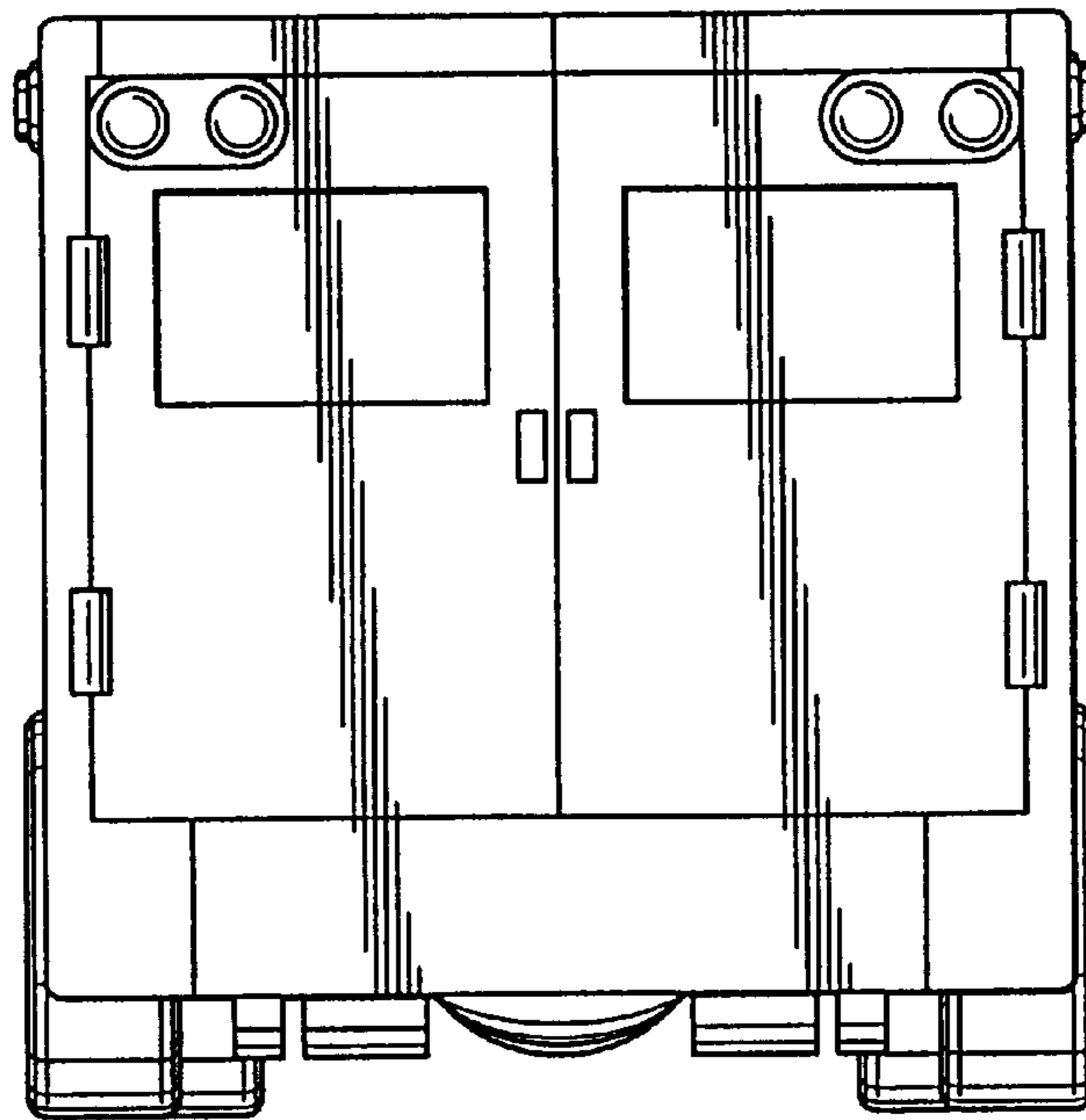


FIG. 2

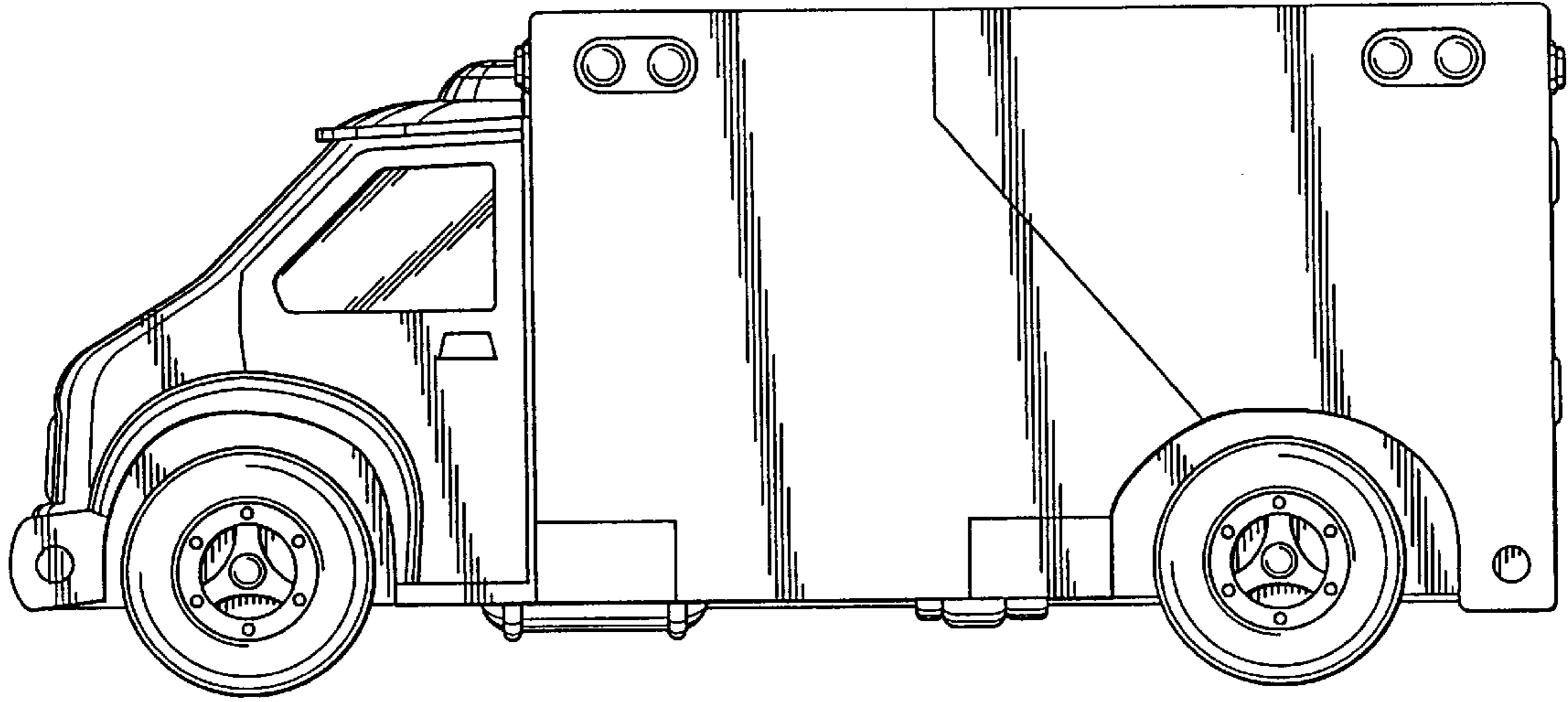


FIG. 4

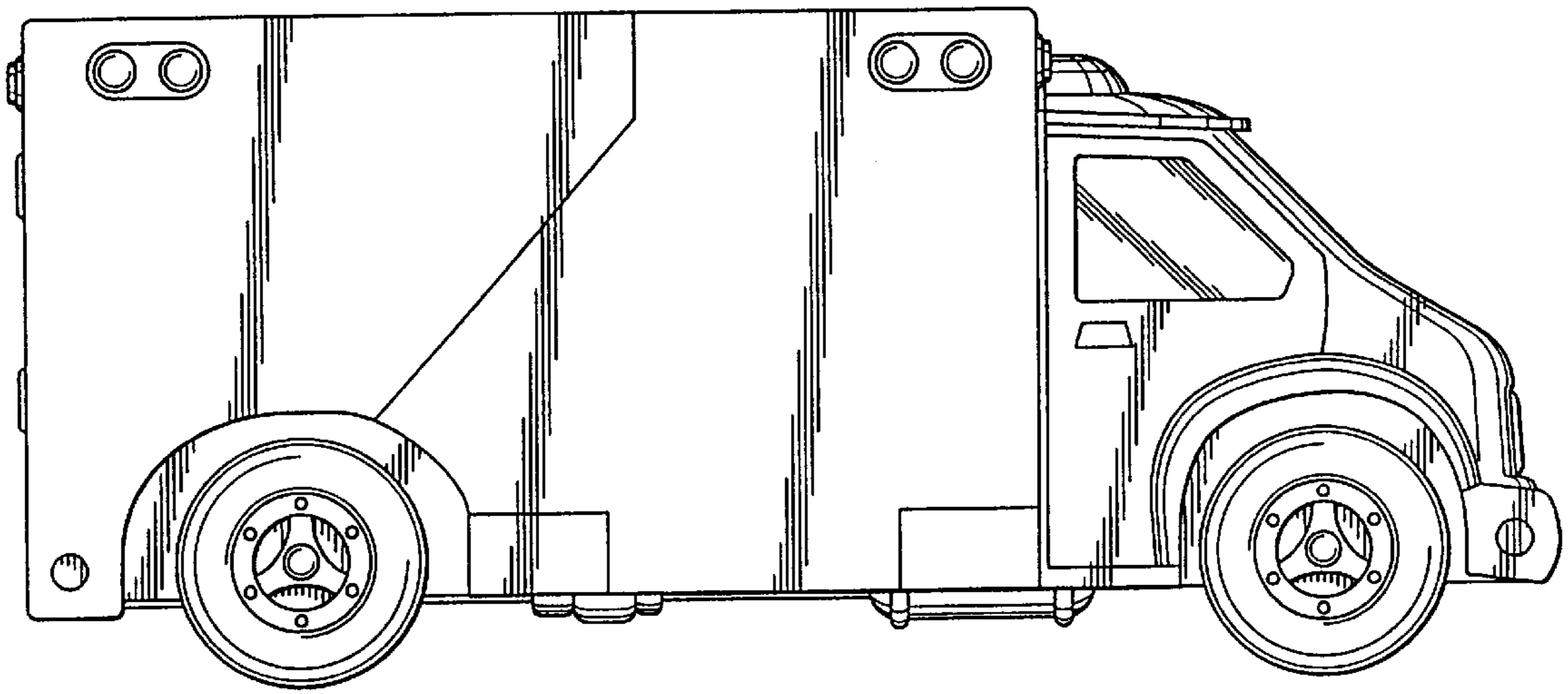


FIG. 3

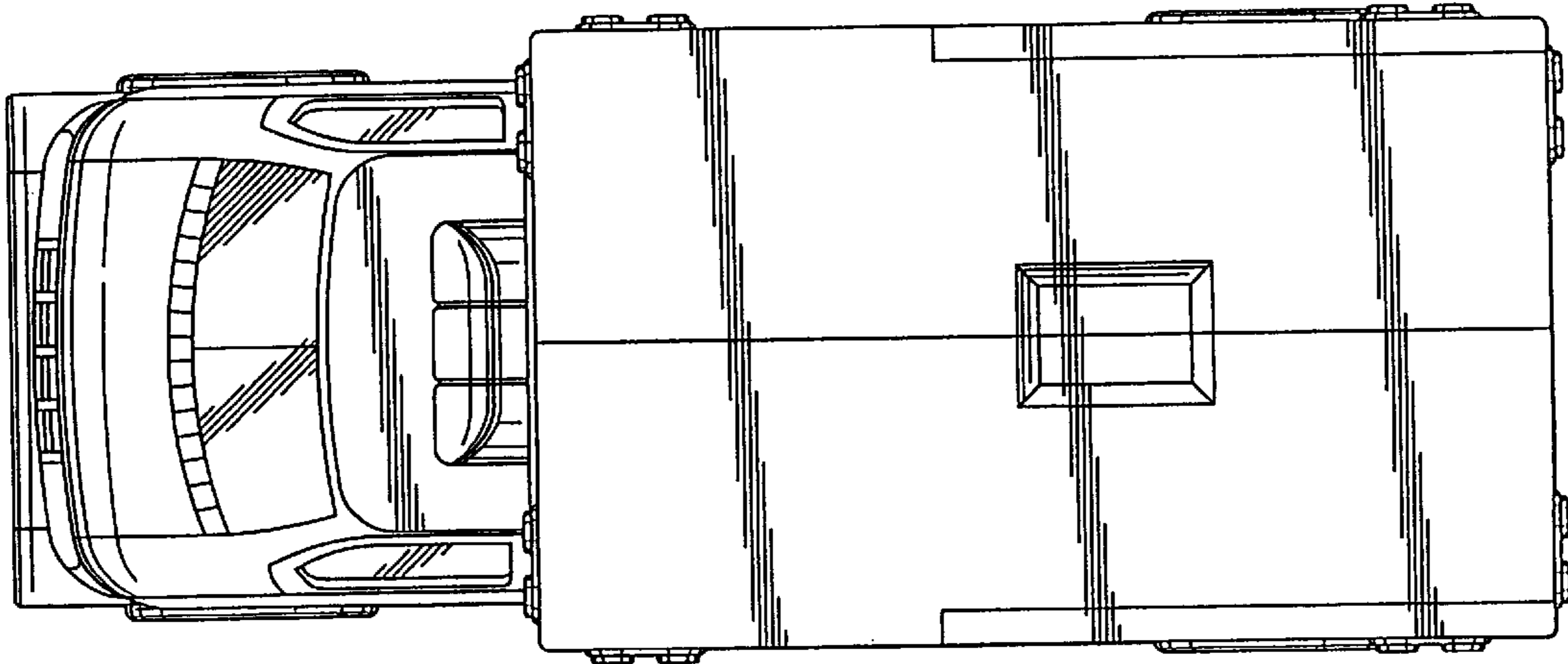


FIG. 5

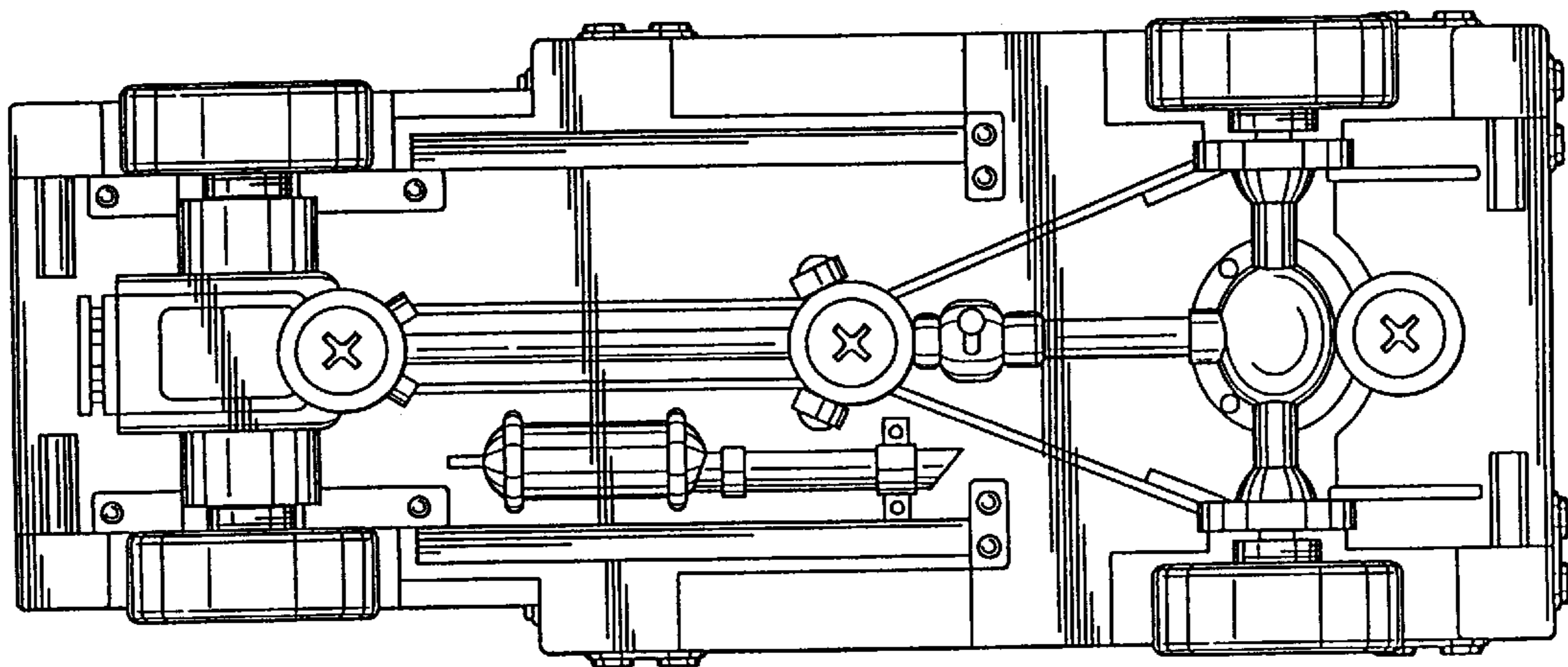


FIG. 6

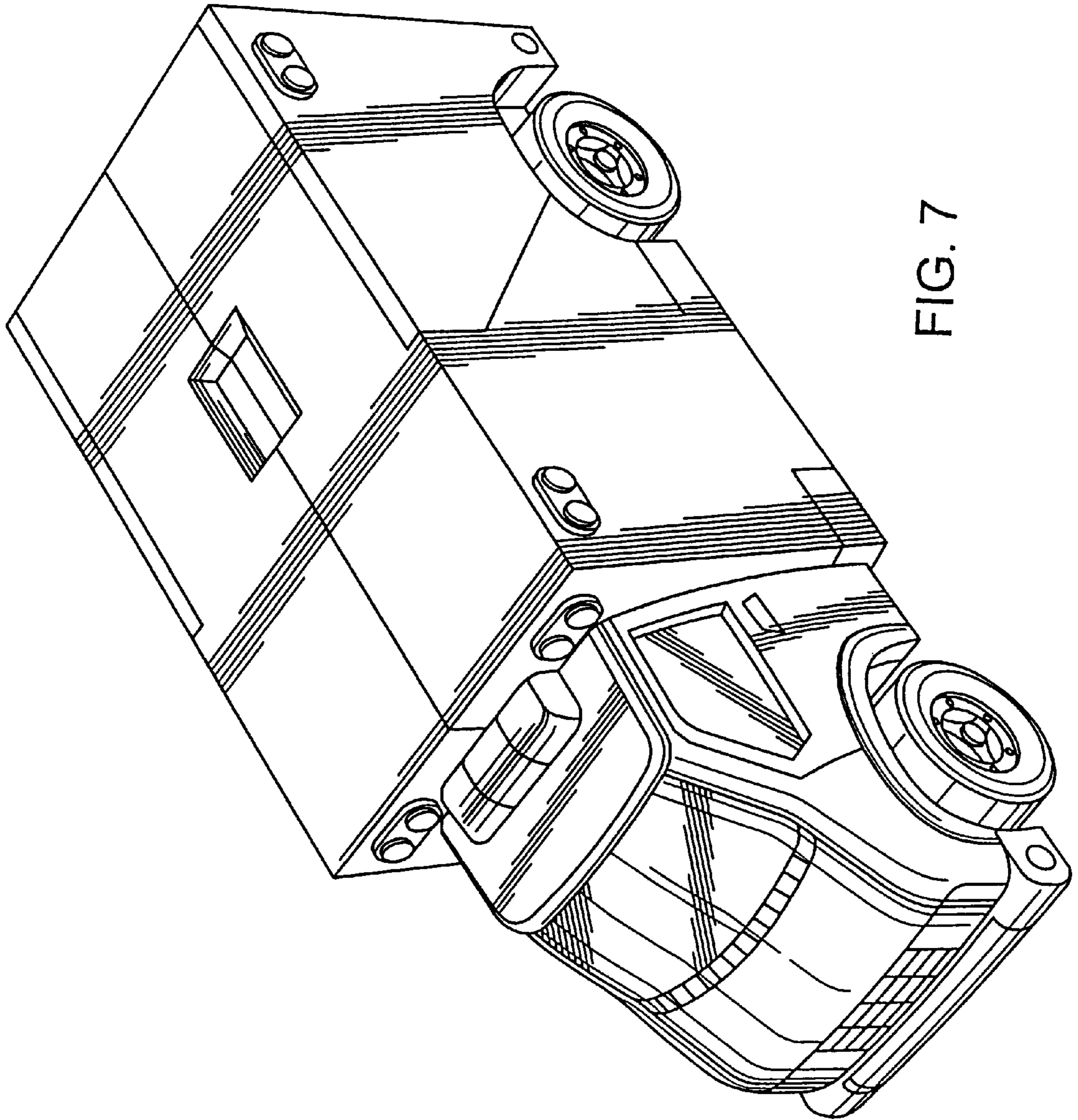


FIG. 7

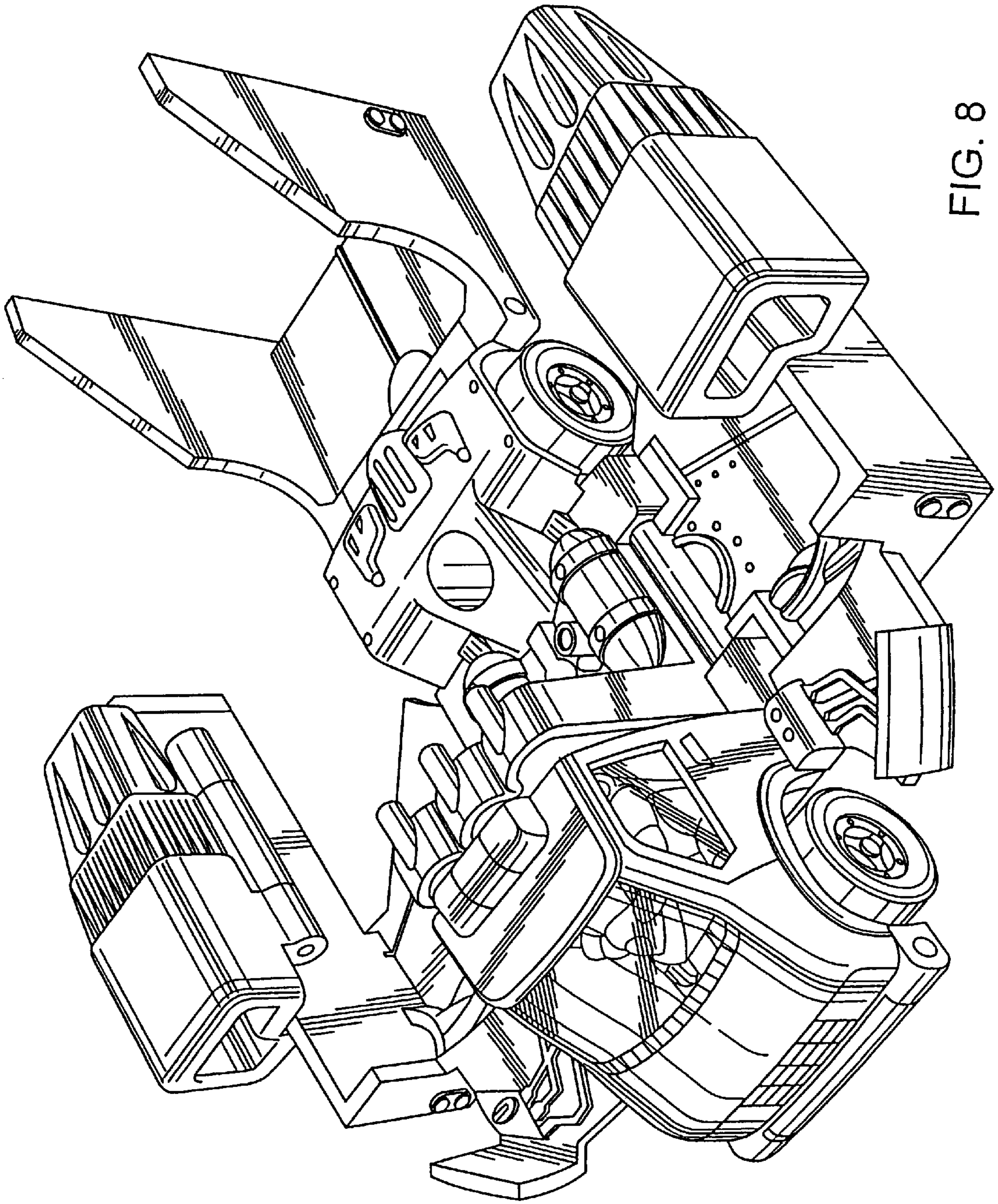


FIG. 8