



US00D424132S

United States Patent [19] Wei

[11] **Patent Number: Des. 424,132**

[45] **Date of Patent: ** May 2, 2000**

[54] **TOY CAR**

[75] Inventor: **Kam Wah Wei**, Kowloon, The Hong Kong Special Administrative Region of the People's Republic of China

[73] Assignee: **Wah Hing Toys Development Co., Ltd.**, Kowloon, The Hong Kong Special Administrative Region of the People's Republic of China

[**] Term: **14 Years**

[21] Appl. No.: **29/102,175**

[22] Filed: **Mar. 18, 1999**

[51] **LOC (7) Cl.** **21-01**

[52] **U.S. Cl.** **D21/550**

[58] **Field of Search** D21/548-551,
D21/433, 580; D12/82-83, 86, 88-92; 446/427,
428, 456, 465, 470; 280/1.13, 828, 87.021;
296/185-186

D. 266,779 11/1982 Appel et al. D21/550
D. 283,829 5/1986 Kamikawa D21/550
D. 359,082 6/1995 Aker et al. D21/550
D. 365,782 1/1996 Reynard et al. D12/88

Primary Examiner—Raphael Barkai
Attorney, Agent, or Firm—Leydig, Voit & Mayer, Ltd.

[57] CLAIM

The ornamental design for a toy car, as shown and described.

DESCRIPTION

FIG. 1 is a left side elevational view of a toy car showing my new design;

FIG. 2 is a right side elevational view thereof;

FIG. 3 is a front end elevational view thereof;

FIG. 4 is a rear end elevational view thereof;

FIG. 5 is a top plan view thereof; and,

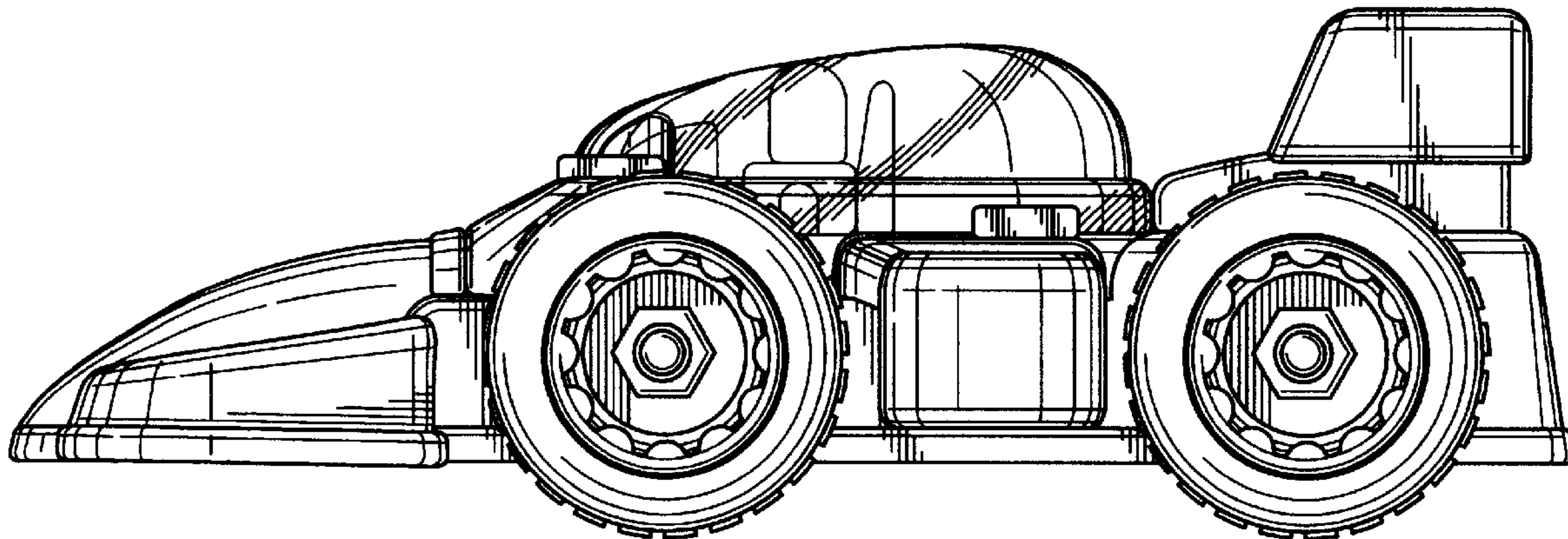
FIG. 6 is a bottom plan view thereof.

[56] References Cited

U.S. PATENT DOCUMENTS

D. 255,810 7/1980 Bretschger D21/550

1 Claim, 3 Drawing Sheets



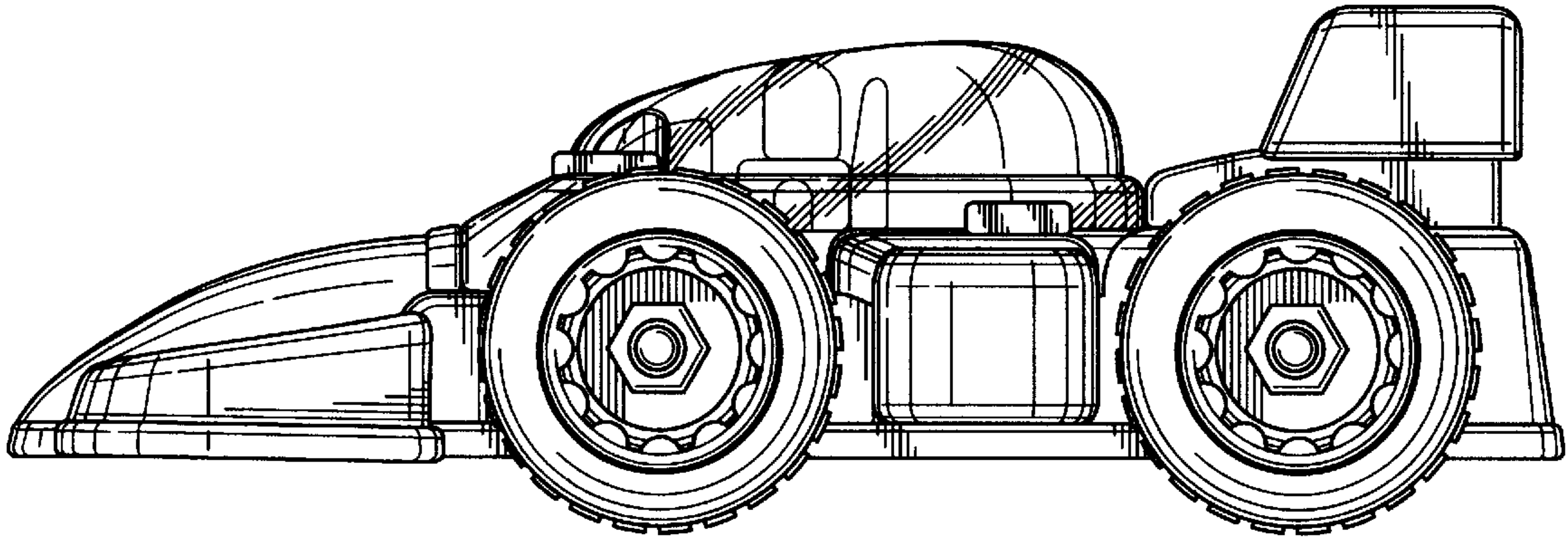


FIG. 1

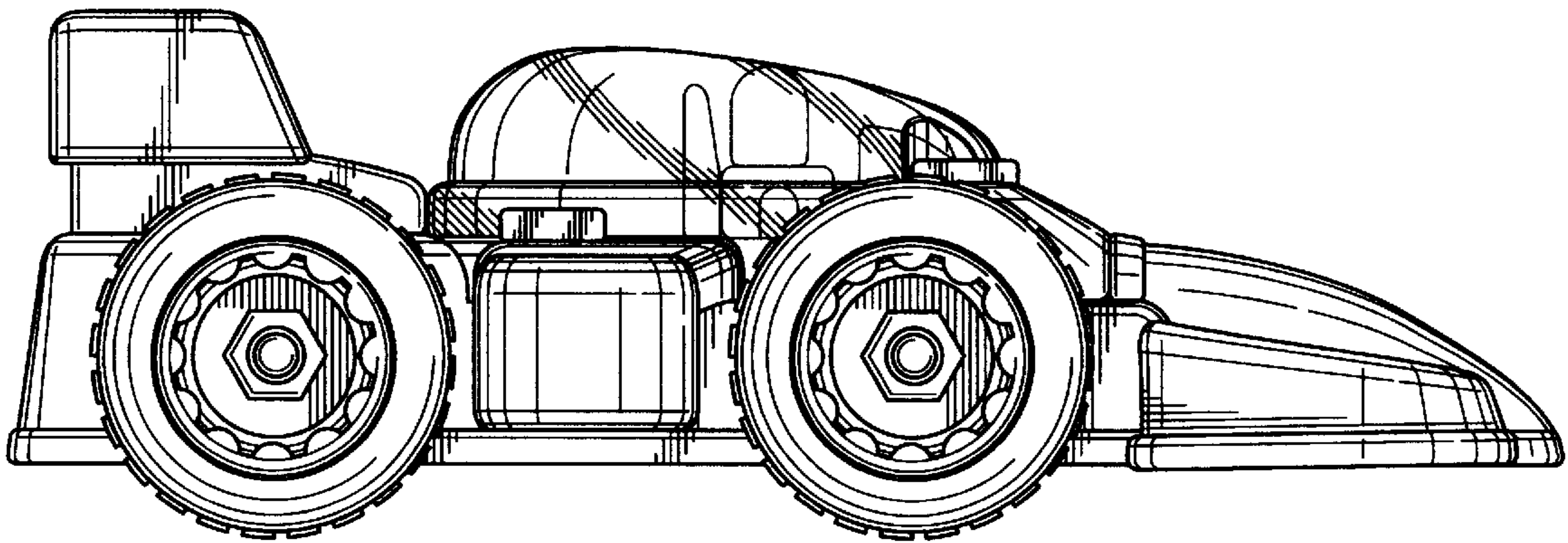


FIG. 2

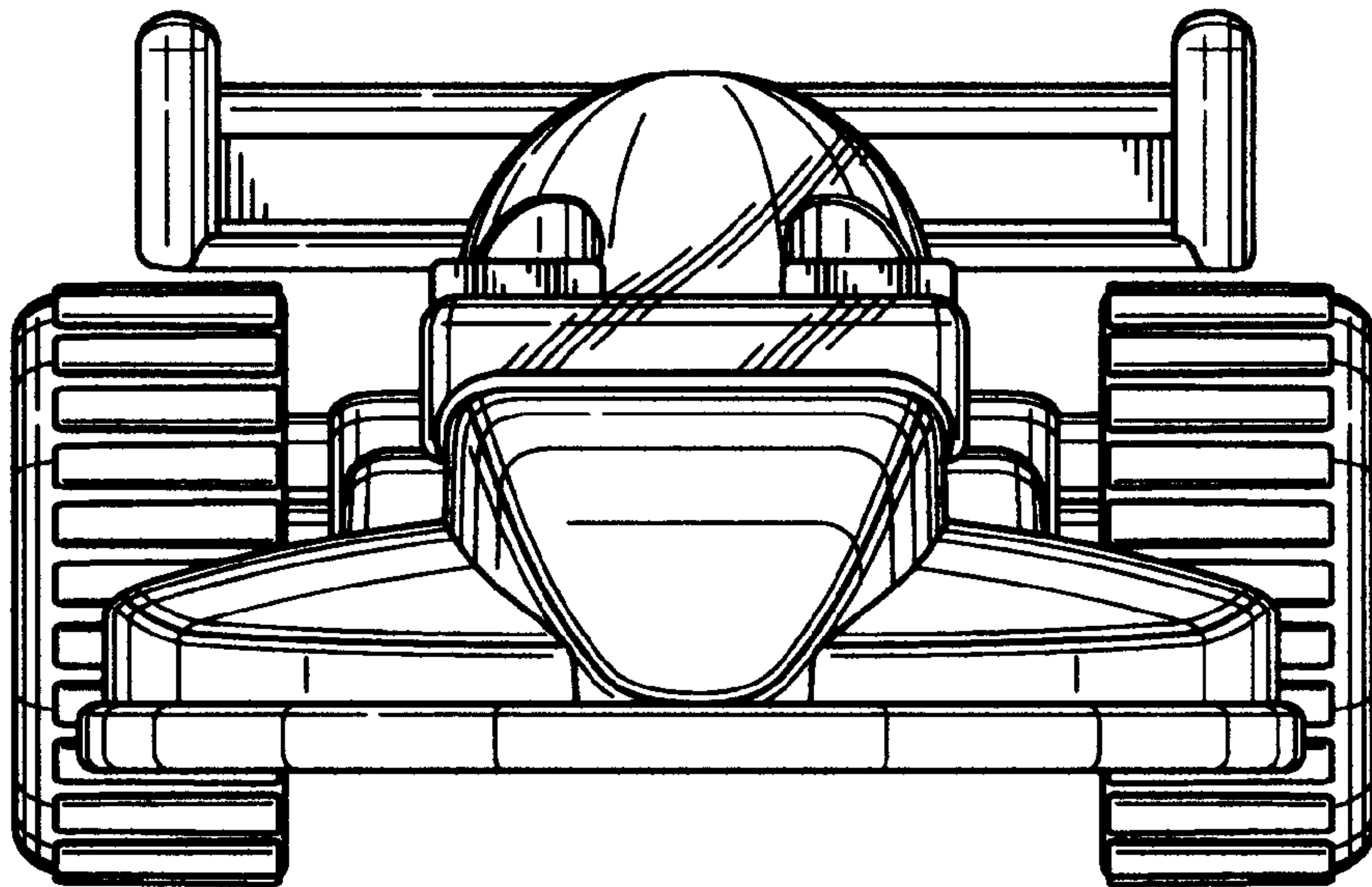


FIG. 3

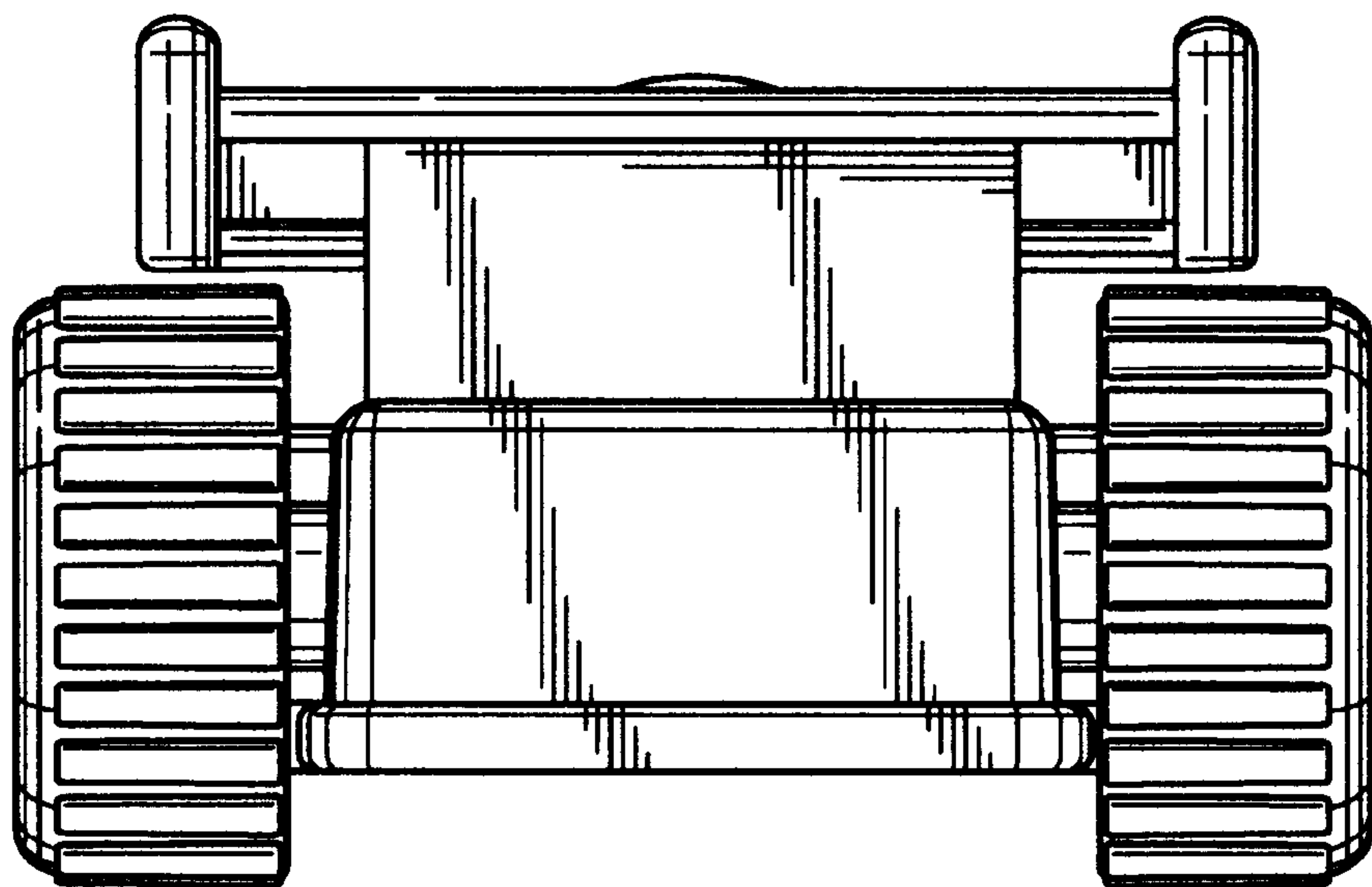


FIG. 4

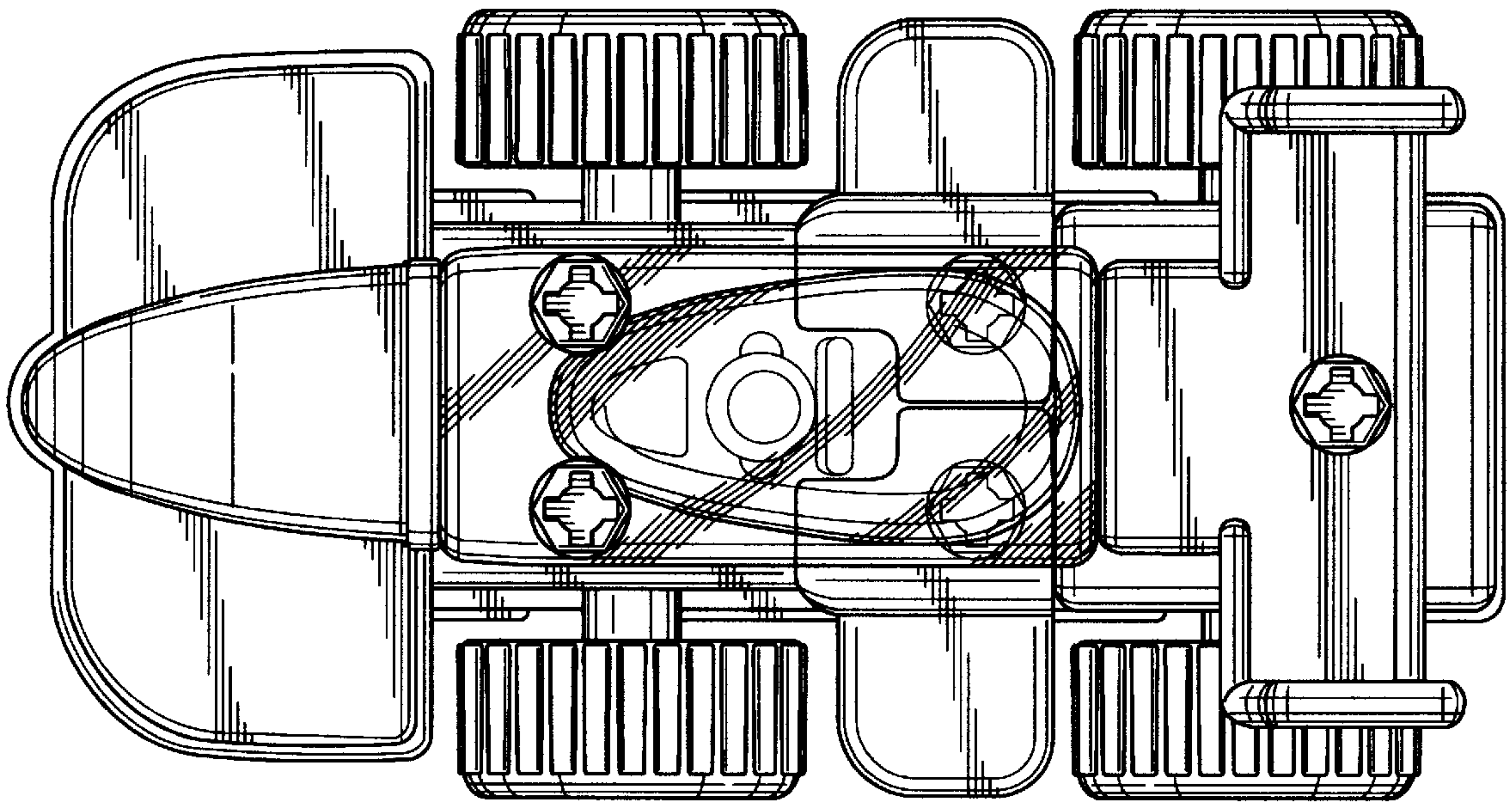


FIG. 5

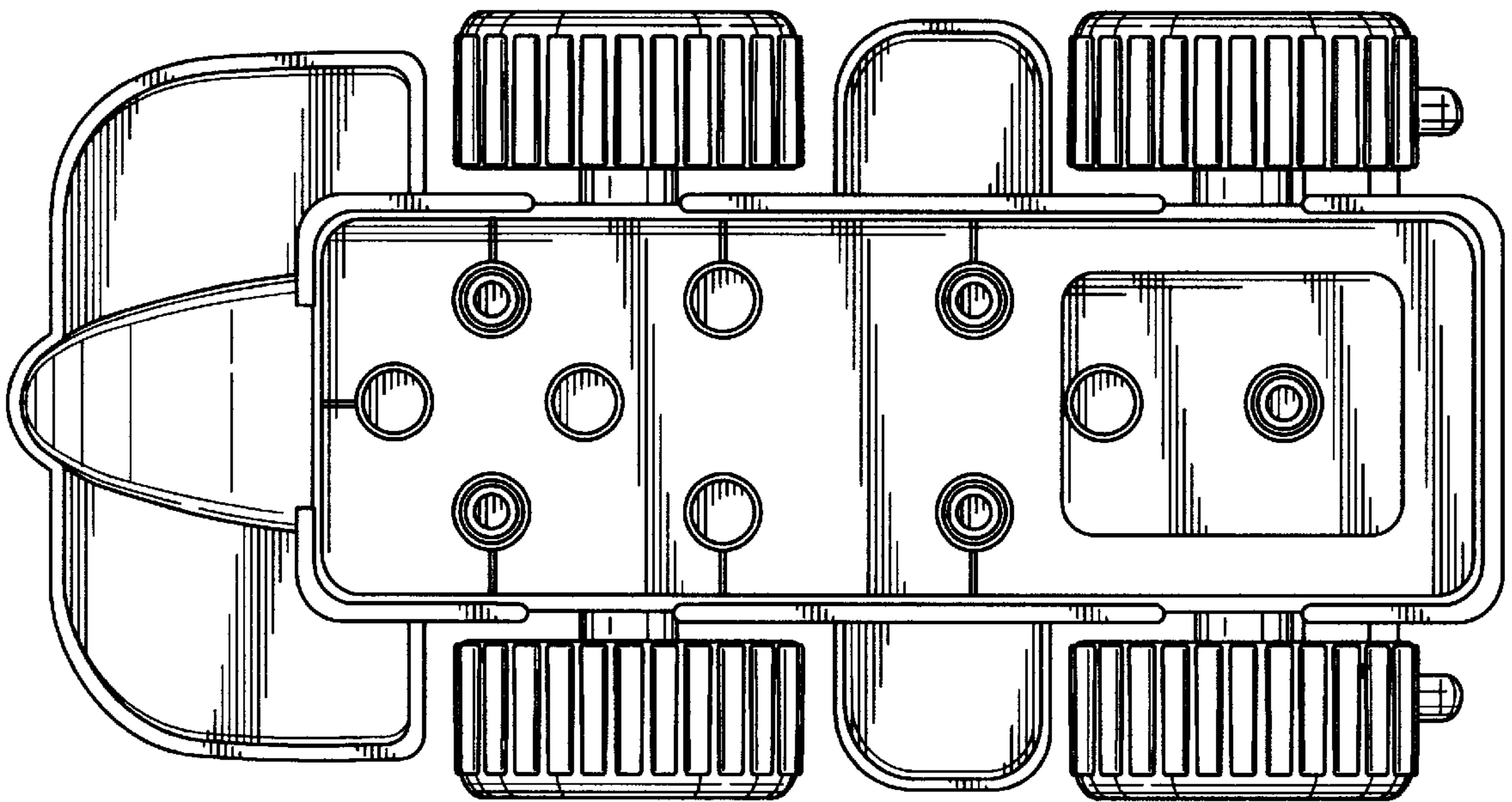


FIG. 6