



US00D424130S

United States Patent [19] Wei

[11] **Patent Number: Des. 424,130**

[45] **Date of Patent: ** May 2, 2000**

[54] **TOY VEHICLE**

[75] **Inventor: Kam Wah Wei**, Kowloon, The Hong Kong Special Administrative Region of the People's Republic of China

[73] **Assignee: Wah Hing Toys Development Co., Ltd.**, Kowloon, The Hong Kong Special Administrative Region of the People's Republic of China

[**] **Term: 14 Years**

[21] **Appl. No.: 29/102,177**

[22] **Filed: Mar. 18, 1999**

[51] **LOC (7) Cl. 21-01**

[52] **U.S. Cl. D21/537**

[58] **Field of Search** D21/533, 537, D21/539, 552, 431; D15/24, 25; 446/424, 425, 433, 440, 427, 454, 456, 457, 462, 465, 470, 489; 280/113, 828, 87.01, 87.021

[56] **References Cited**

U.S. PATENT DOCUMENTS

D. 211,746 7/1968 Genin D21/537

D. 236,642 9/1975 Fahrendorff D21/537
D. 251,845 5/1979 Joupperi et al. D15/25
3,874,111 4/1975 Pauly et al. 446/424
5,487,428 1/1996 Yamamoto et al. D15/25

Primary Examiner—Raphael Barkai
Attorney, Agent, or Firm—Leydig, Voit & Mayer, Ltd.

[57] **CLAIM**

The ornamental design for a toy vehicle, as shown and described.

DESCRIPTION

FIG. 1 is a left side elevational view of a toy vehicle showing my new design;

FIG. 2 is a right side elevational view thereof;

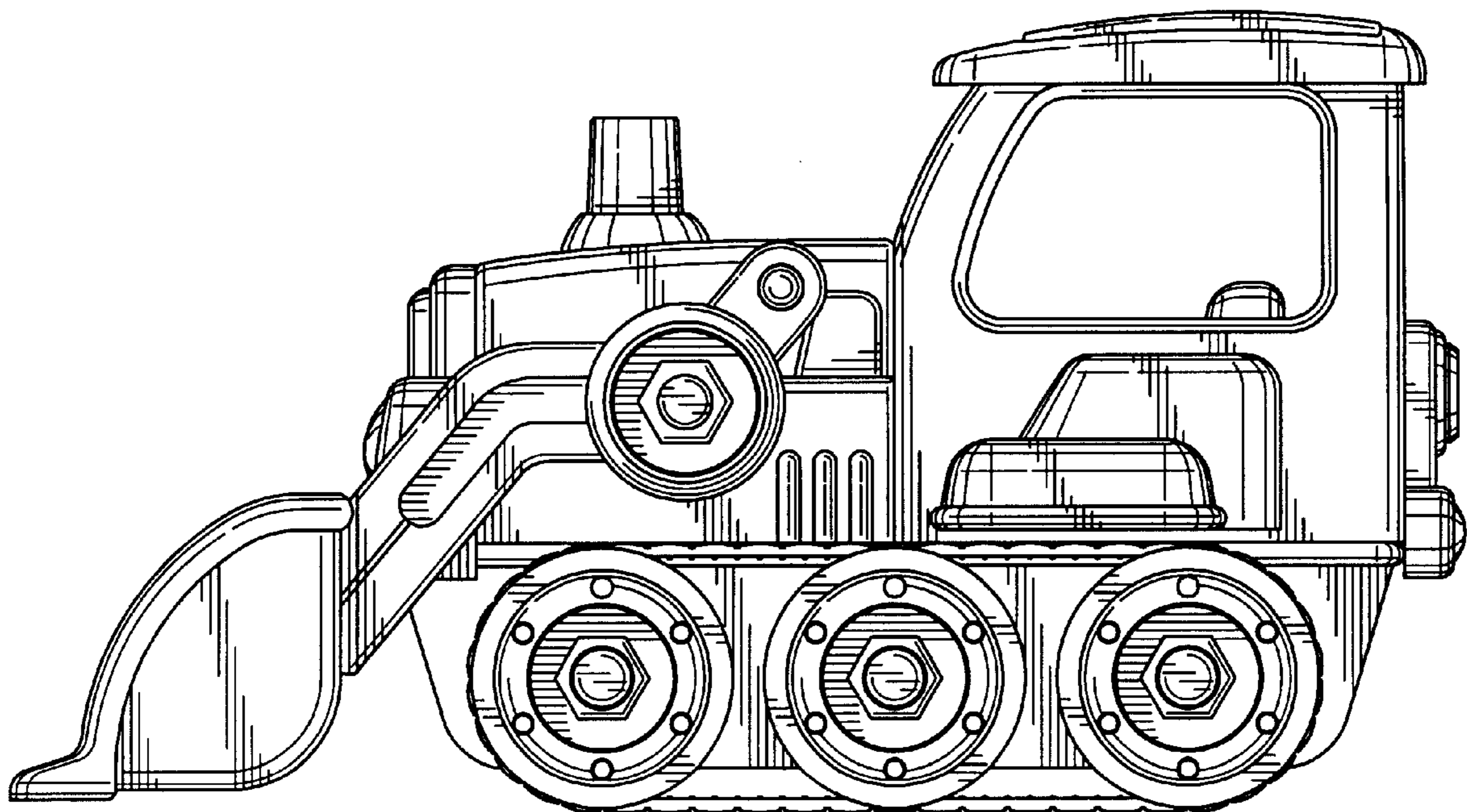
FIG. 3 is a front end elevational view thereof;

FIG. 4 is a rear end elevational view thereof;

FIG. 5 is a top plan view thereof; and,

FIG. 6 is a bottom plan view thereof.

1 Claim, 3 Drawing Sheets



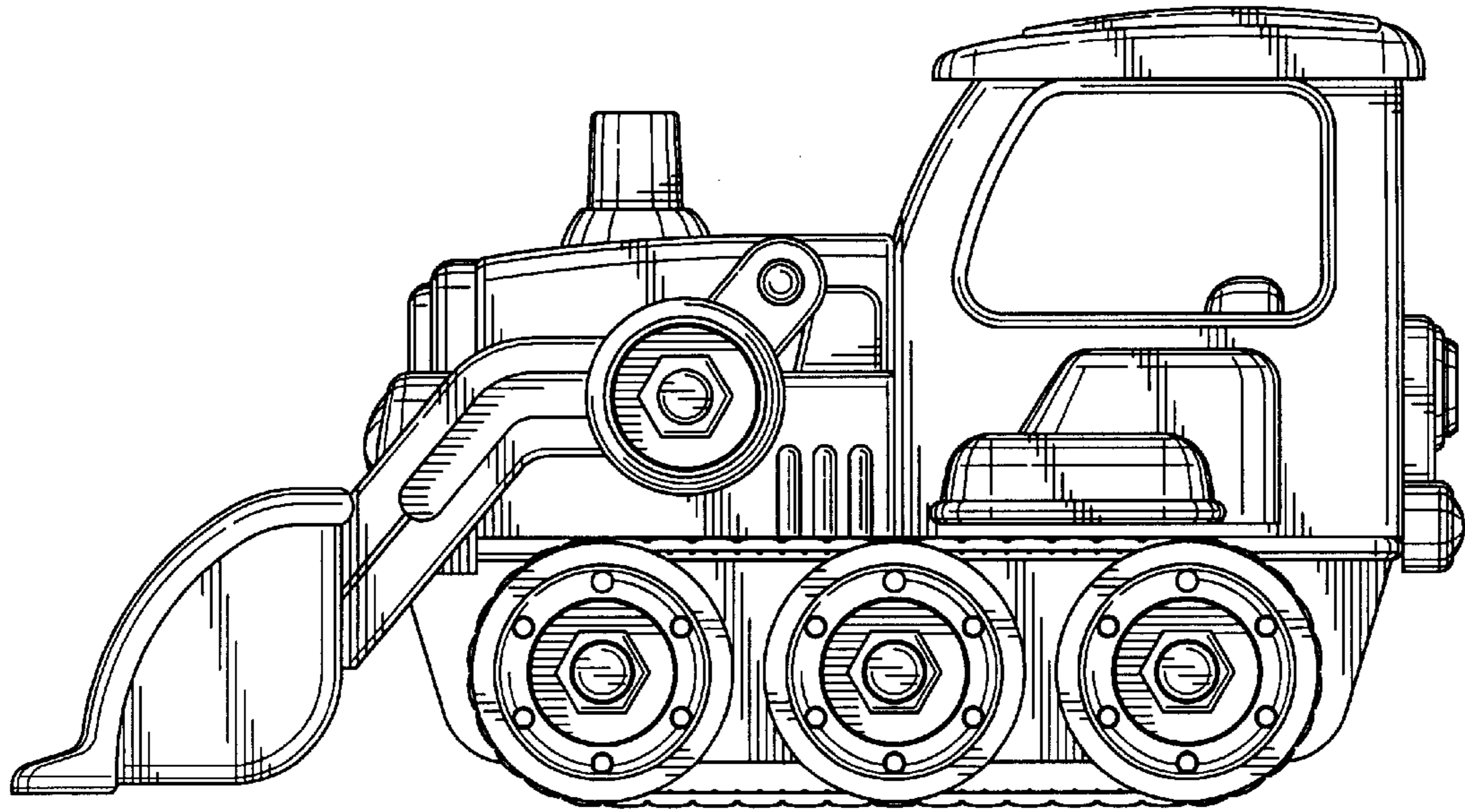


FIG. 1

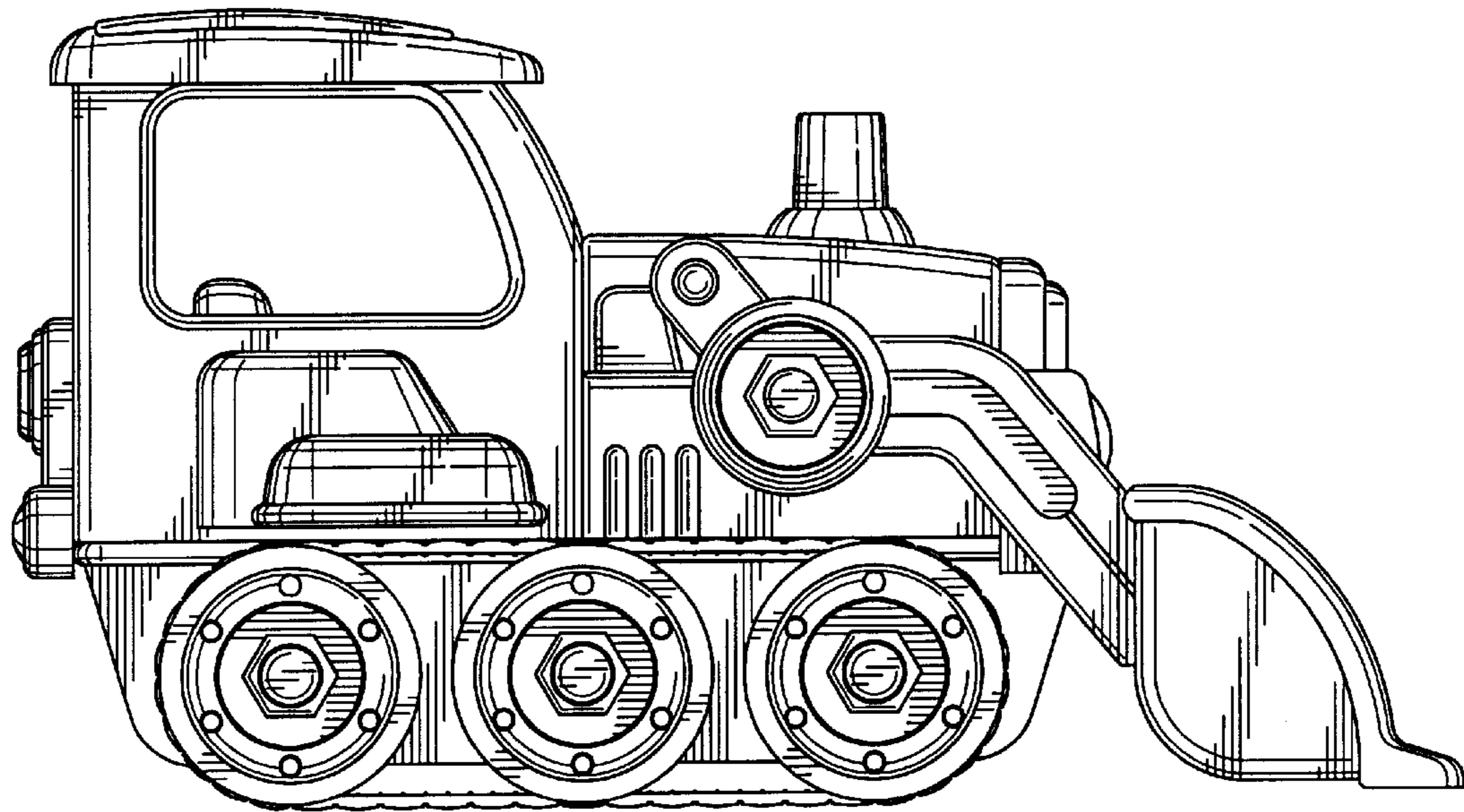


FIG. 2

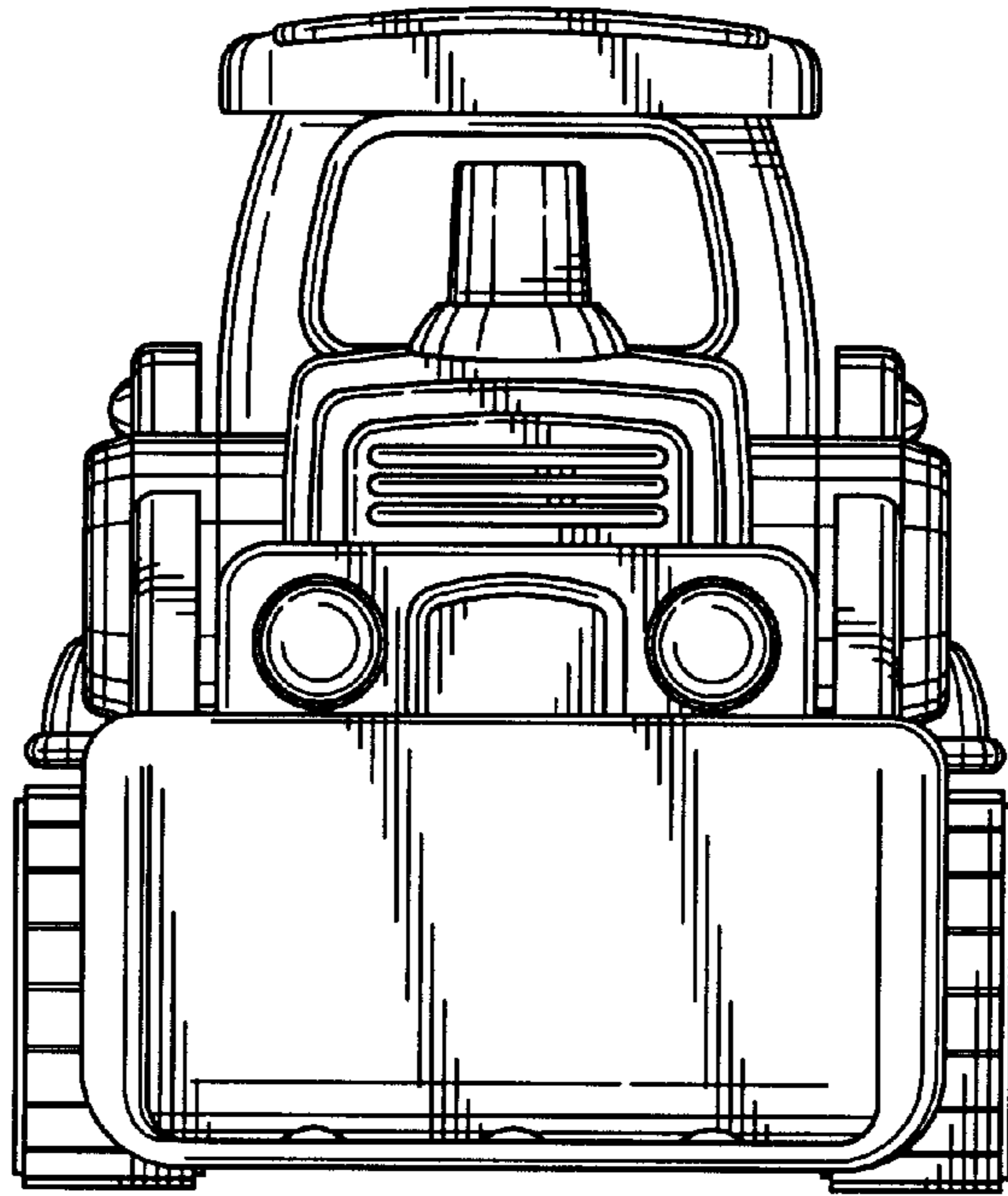


FIG. 3

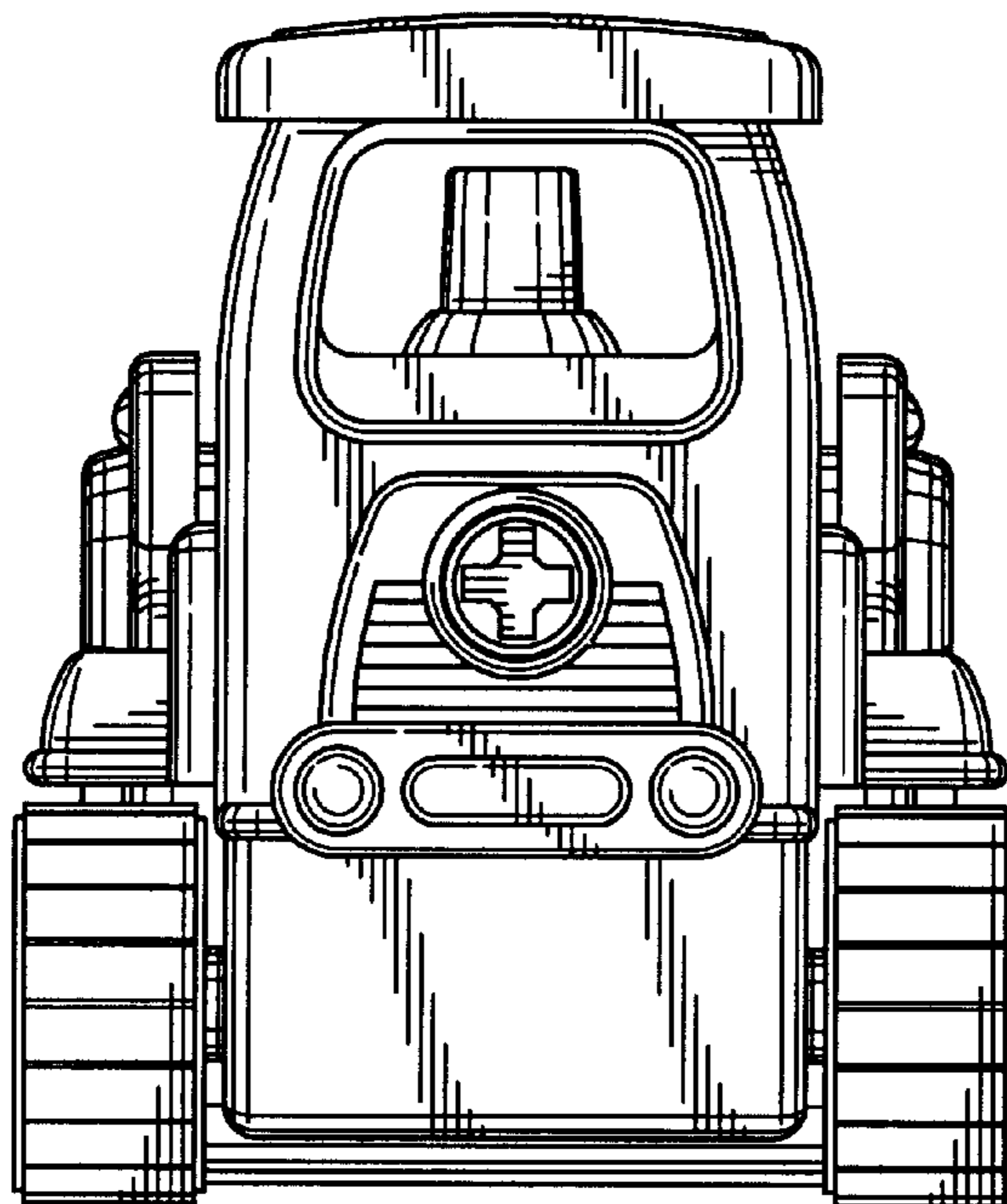


FIG. 4

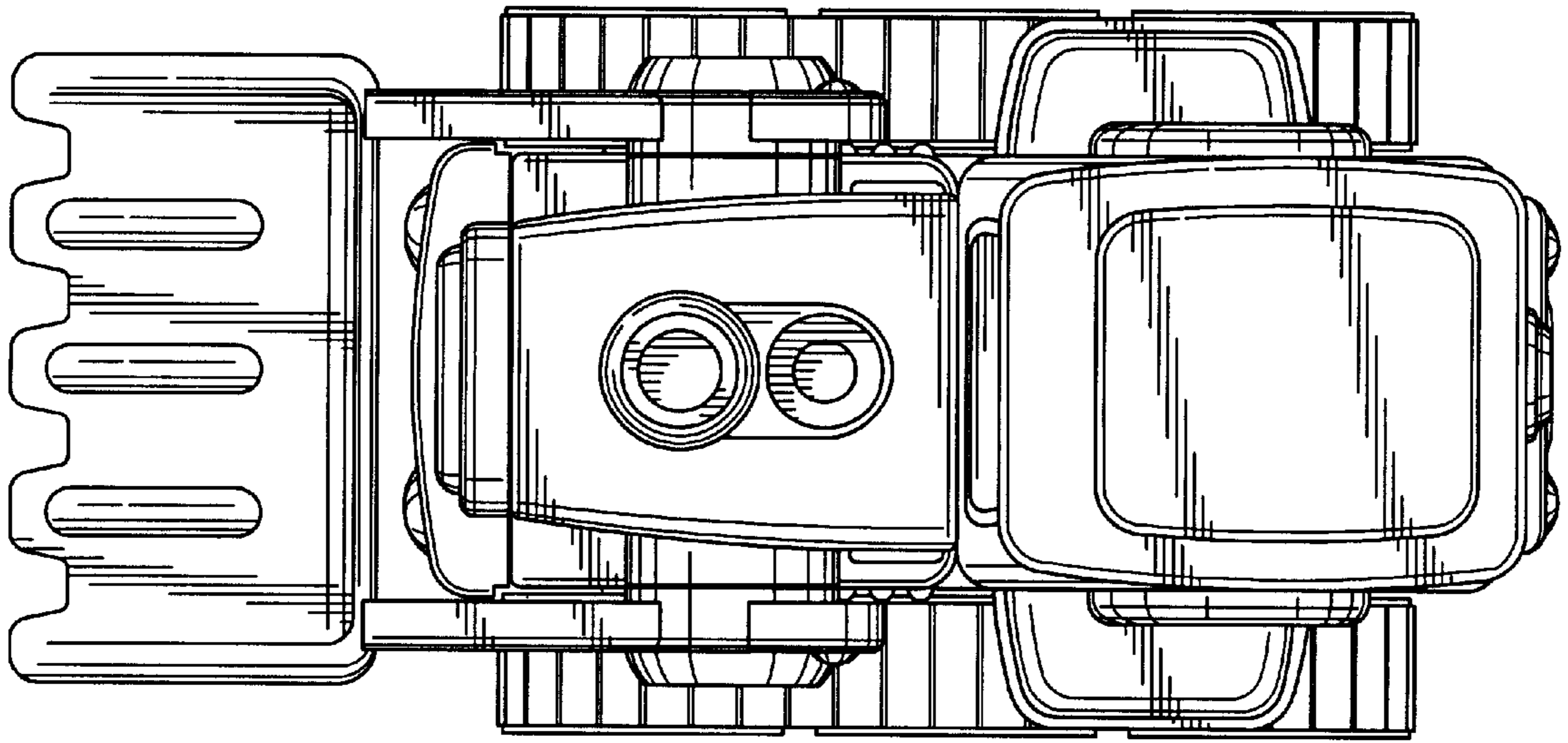


FIG. 5

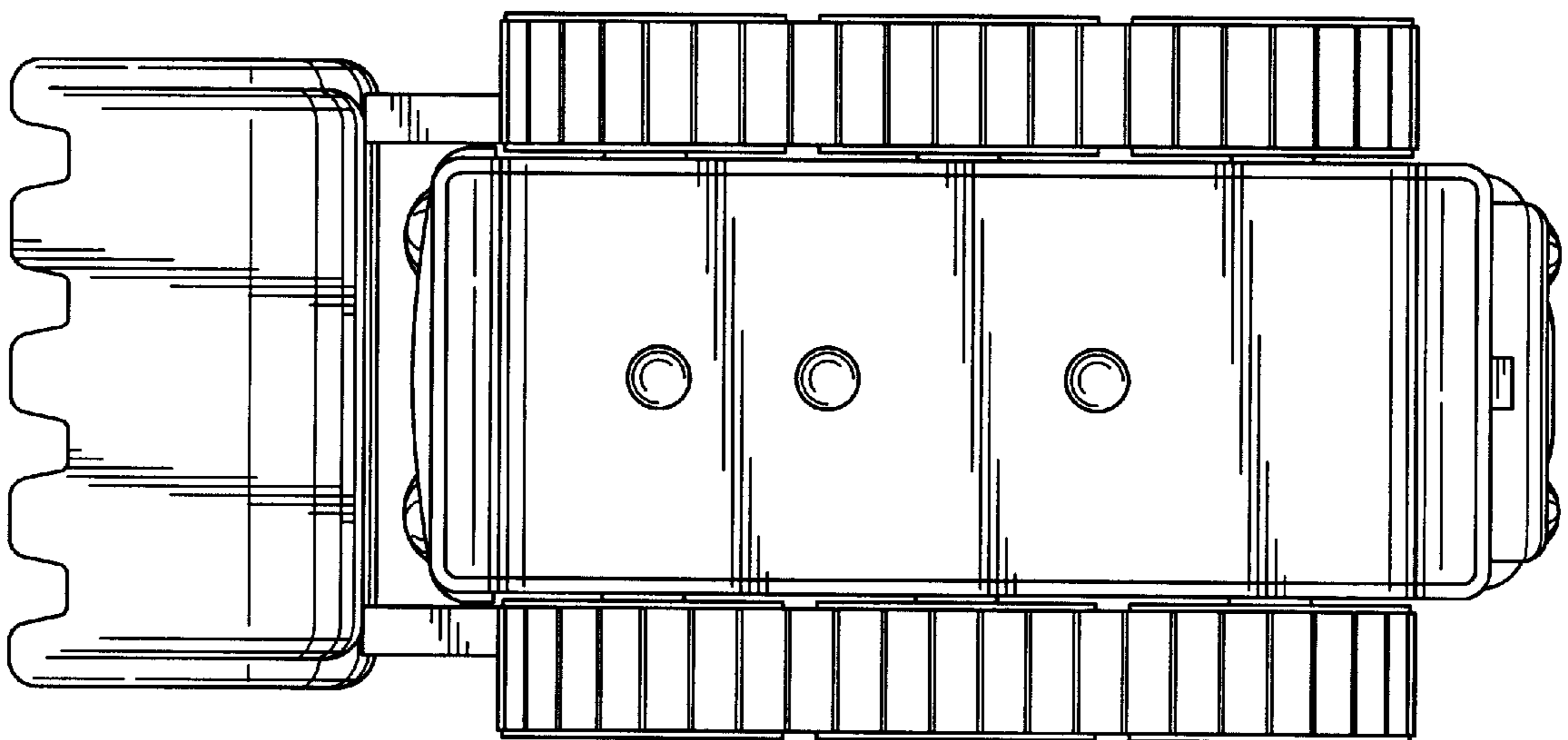


FIG. 6