



US00D424126S

United States Patent [19]

Goes et al.

[11] Patent Number: Des. 424,126

[45] Date of Patent: ** May 2, 2000

[54] COMBINATION WALKER/RIDE-ON VEHICLE FOR TODDLERS

[75] Inventors: Paul A. Goes, Riverside; Craig J. McElhaney, Cumberland, both of R.I.

[73] Assignee: Hasbro, Inc., Pawtucket, R.I.

[**] Term: 14 Years

[21] Appl. No.: 29/105,448

[22] Filed: May 25, 1999

[51] LOC (7) Cl. 21-01

[52] U.S. Cl. D21/424; D21/419; D21/421; D21/433

[58] Field of Search D21/419-435, D21/533, 548, 551, 552, 559; D12/16, 130; 446/424-425, 427, 433, 454, 456-457, 462, 465, 470; 280/87.01, 87.021, 828, 87.051

[56] References Cited

U.S. PATENT DOCUMENTS

D. 308,552	6/1990	Klawitter	D21/434
D. 321,216	10/1991	Pape et al.	D21/59
D. 327,715	7/1992	Matsuda et al.	D21/428
D. 352,741	11/1994	Nakai	D21/424
D. 365,312	12/1995	Mosetich et al.	D21/433
D. 389,533	1/1998	Maxwell	D21/130
D. 391,531	3/1998	Mak	D12/130

4,300,783	11/1981	Fisher	280/87.02 R
5,362,272	11/1994	Chow et al.	446/278
5,441,289	8/1995	Spielberger	280/87.051
5,449,835	3/1996	Skirchak, Jr. et al.	280/293
5,788,253	8/1998	Thomson et al.	280/87.041

OTHER PUBLICATIONS

Sears Wishbook, p. 404, 1991.

Childcraft Catalog, p. 11, 1984.

Primary Examiner—Raphael Barkai

Attorney, Agent, or Firm—Hasbro, Inc.

[57] CLAIM

An ornamental design for a combination walker/ride-on vehicle for toddlers, as shown and described.

DESCRIPTION

FIG. 1 is a perspective view of the combination walker/ride-on vehicle for toddlers of the instant invention in the ride-on position;

FIG. 2 is a right side elevational view thereof;

FIG. 3 is a left side elevational view thereof;

FIG. 4 is a top plan view thereof;

FIG. 5 is a bottom plan view thereof;

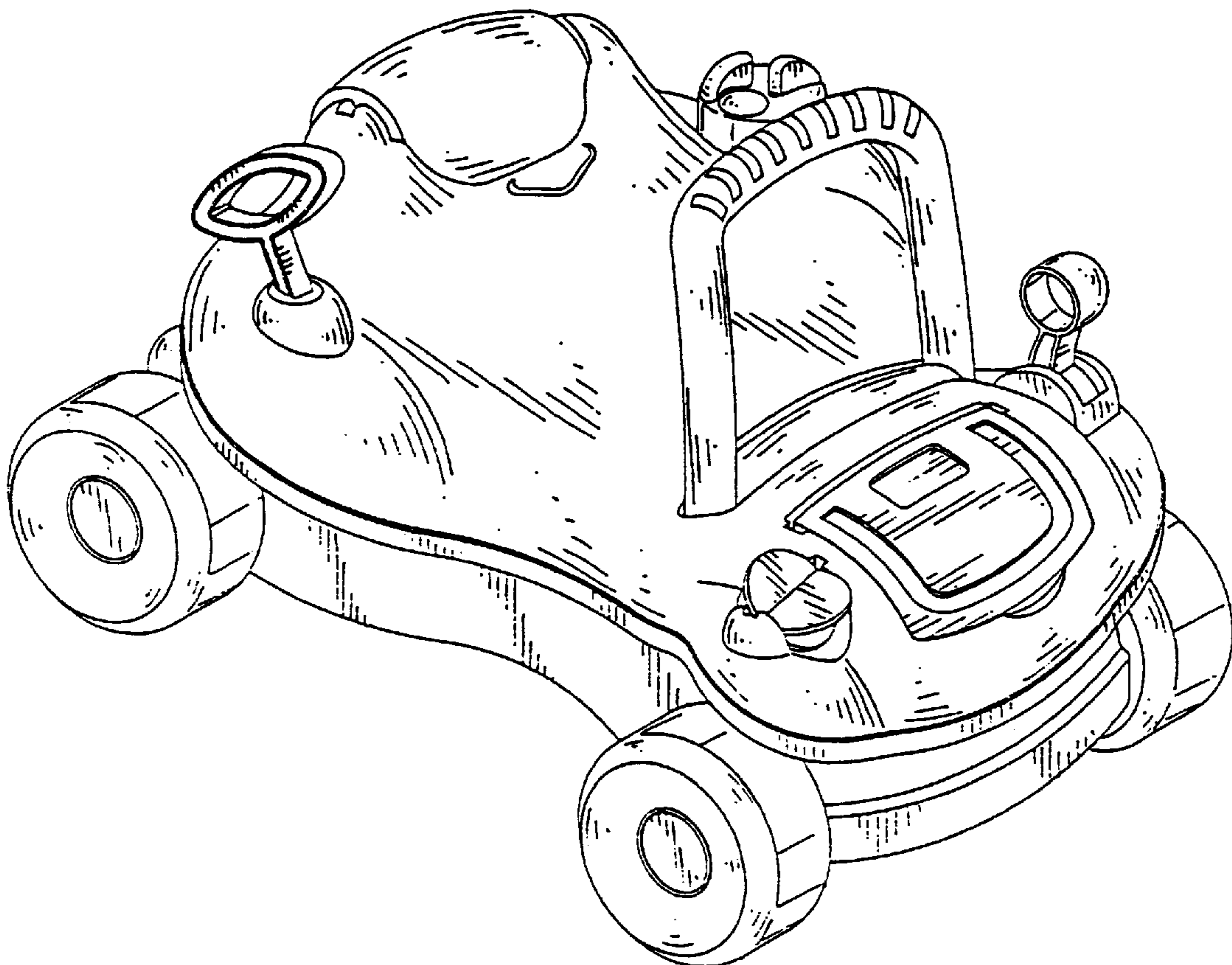
FIG. 6 is a rear elevational view thereof;

FIG. 7 is a front elevational view thereof;

FIG. 8 is a perspective view of the combination walker/ride-on vehicle for toddlers in the walker position; and,

FIG. 9 is a right side elevational view thereof.

1 Claim, 8 Drawing Sheets



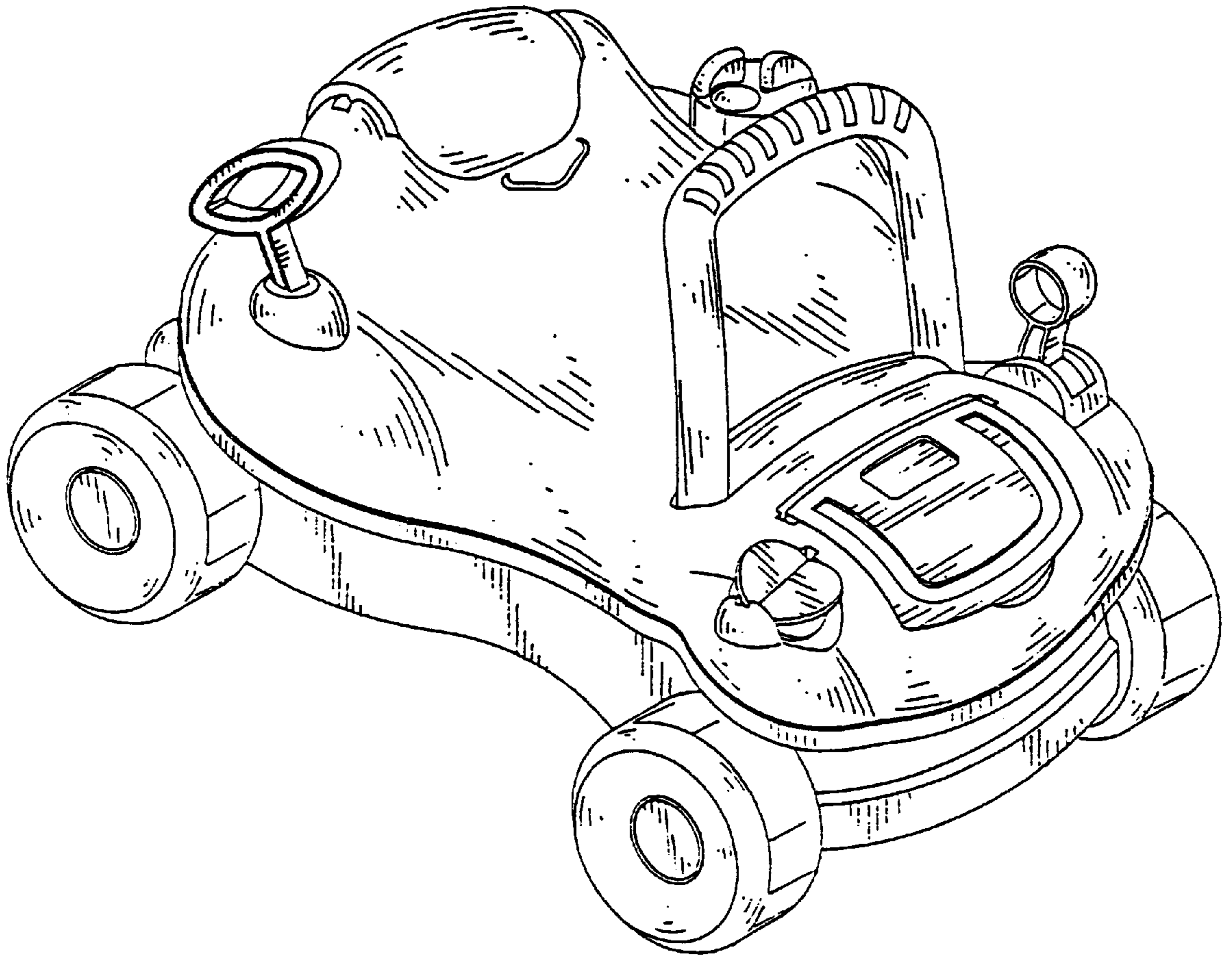


FIG. 1

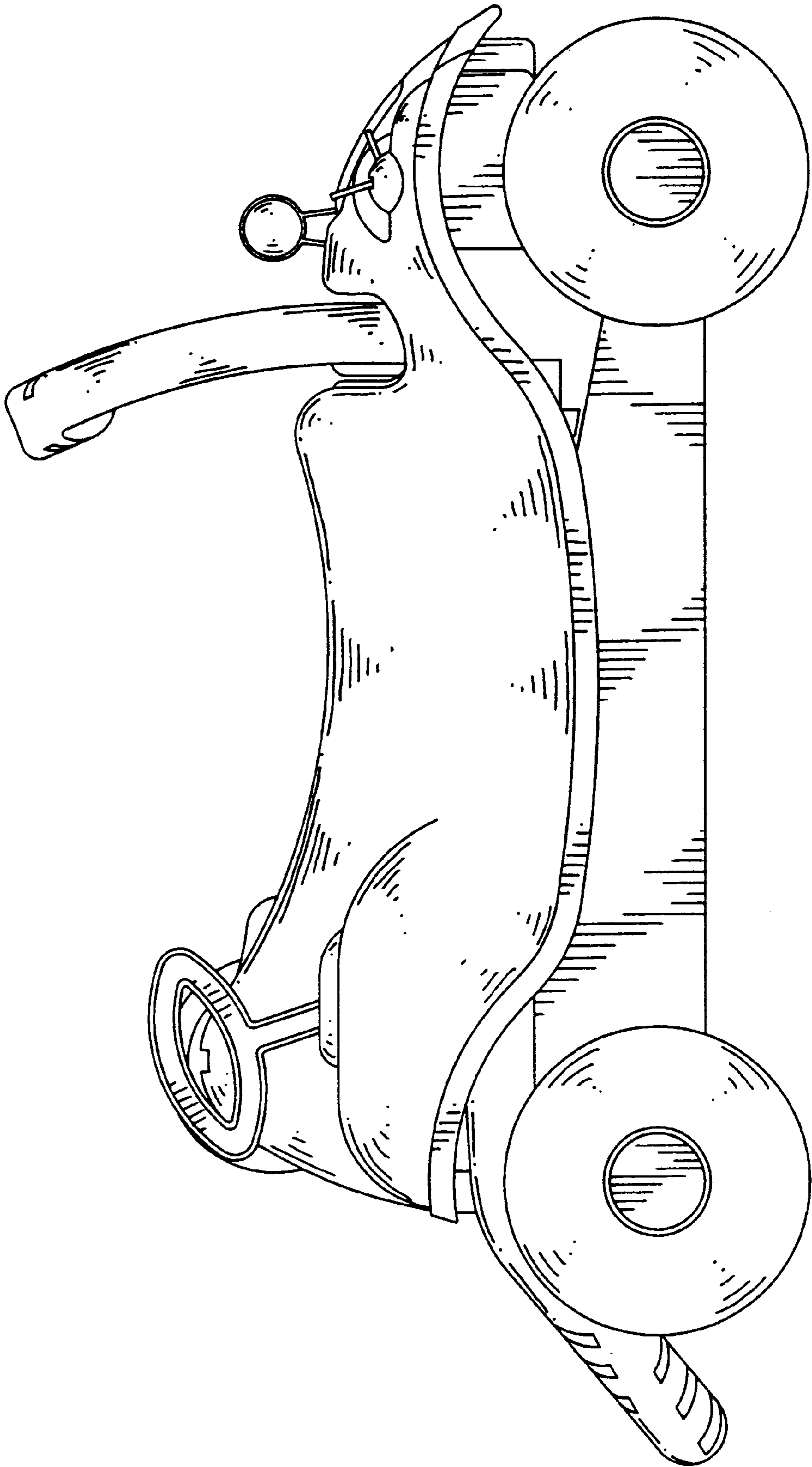


FIG. 2

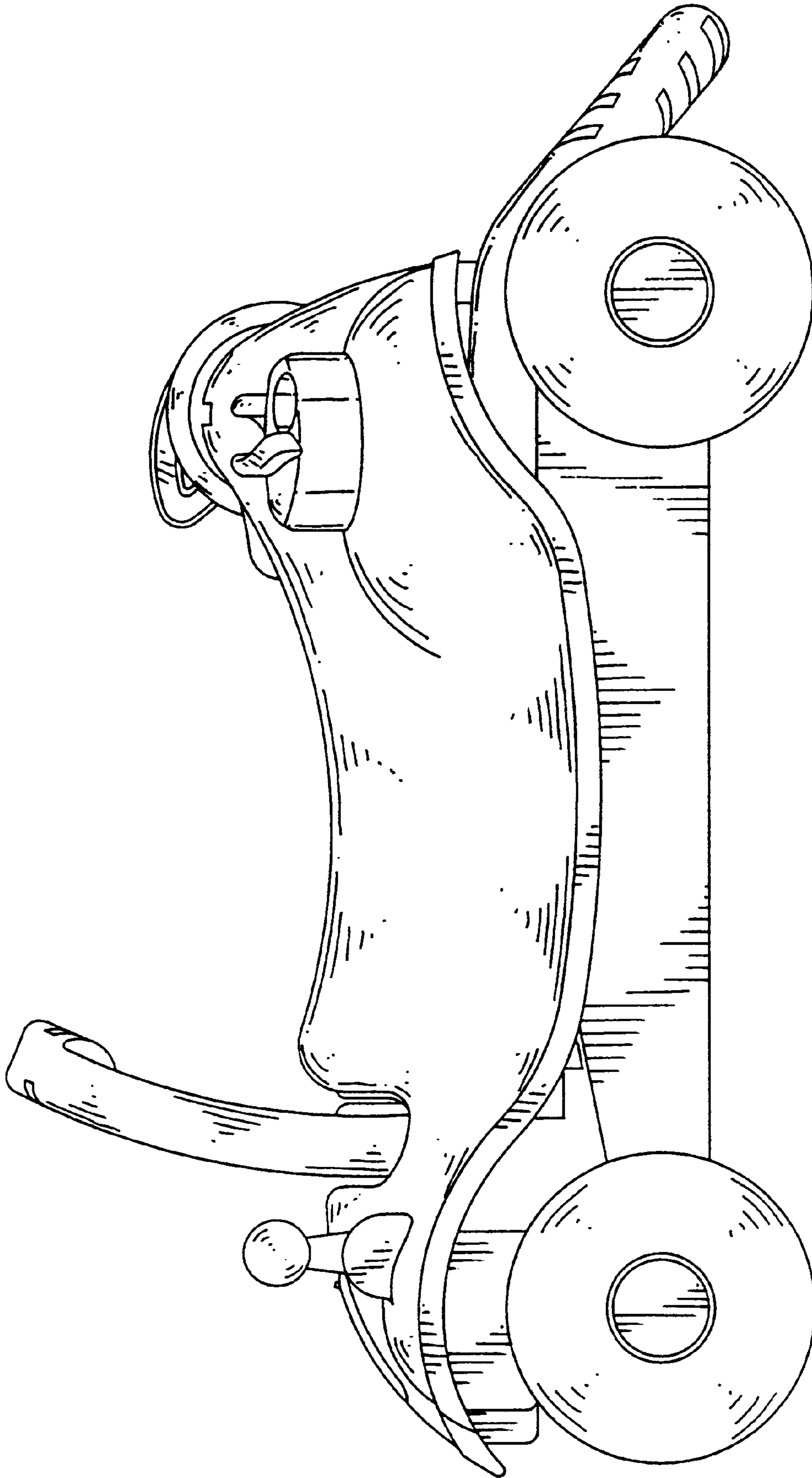


FIG. 3

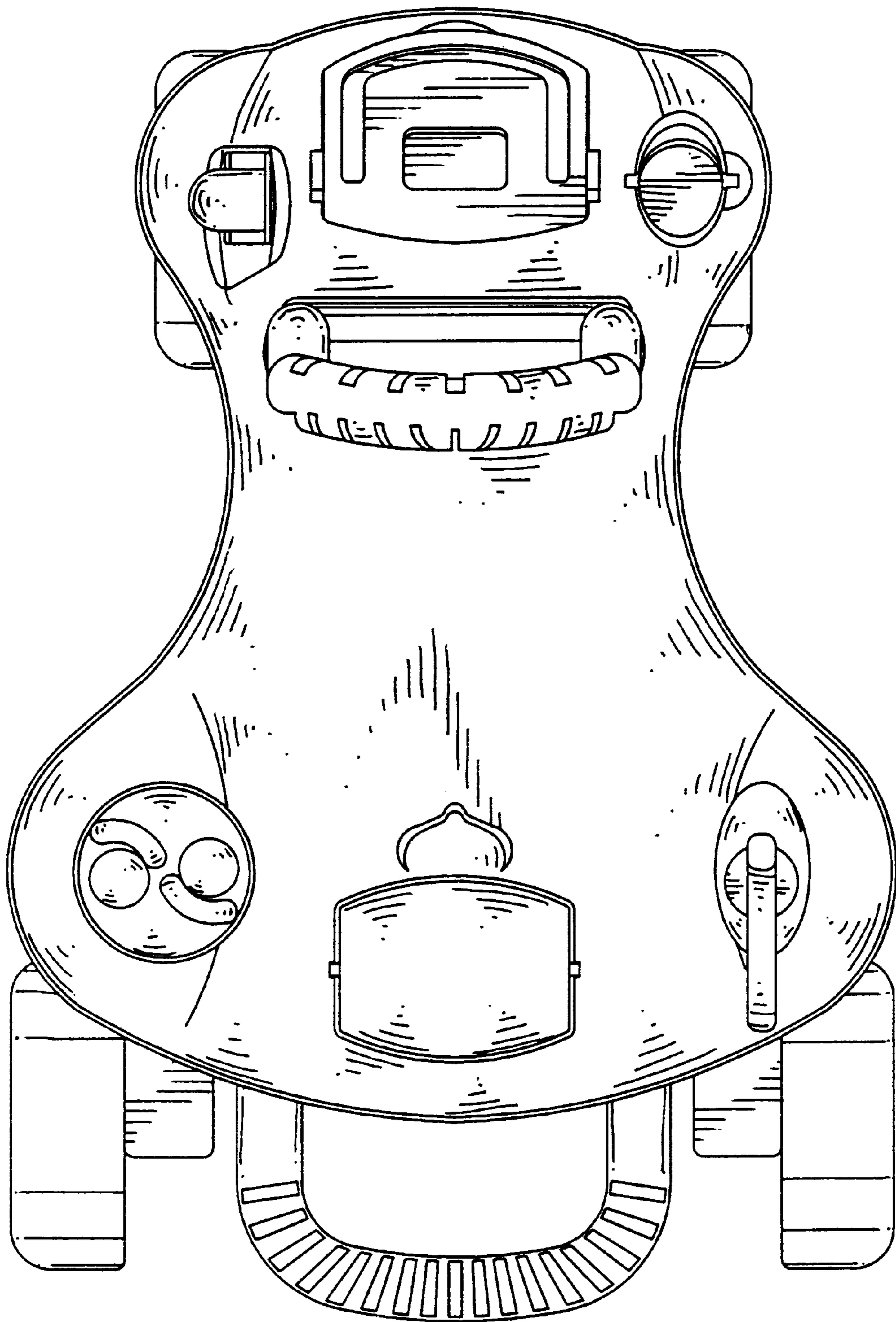


FIG. 4

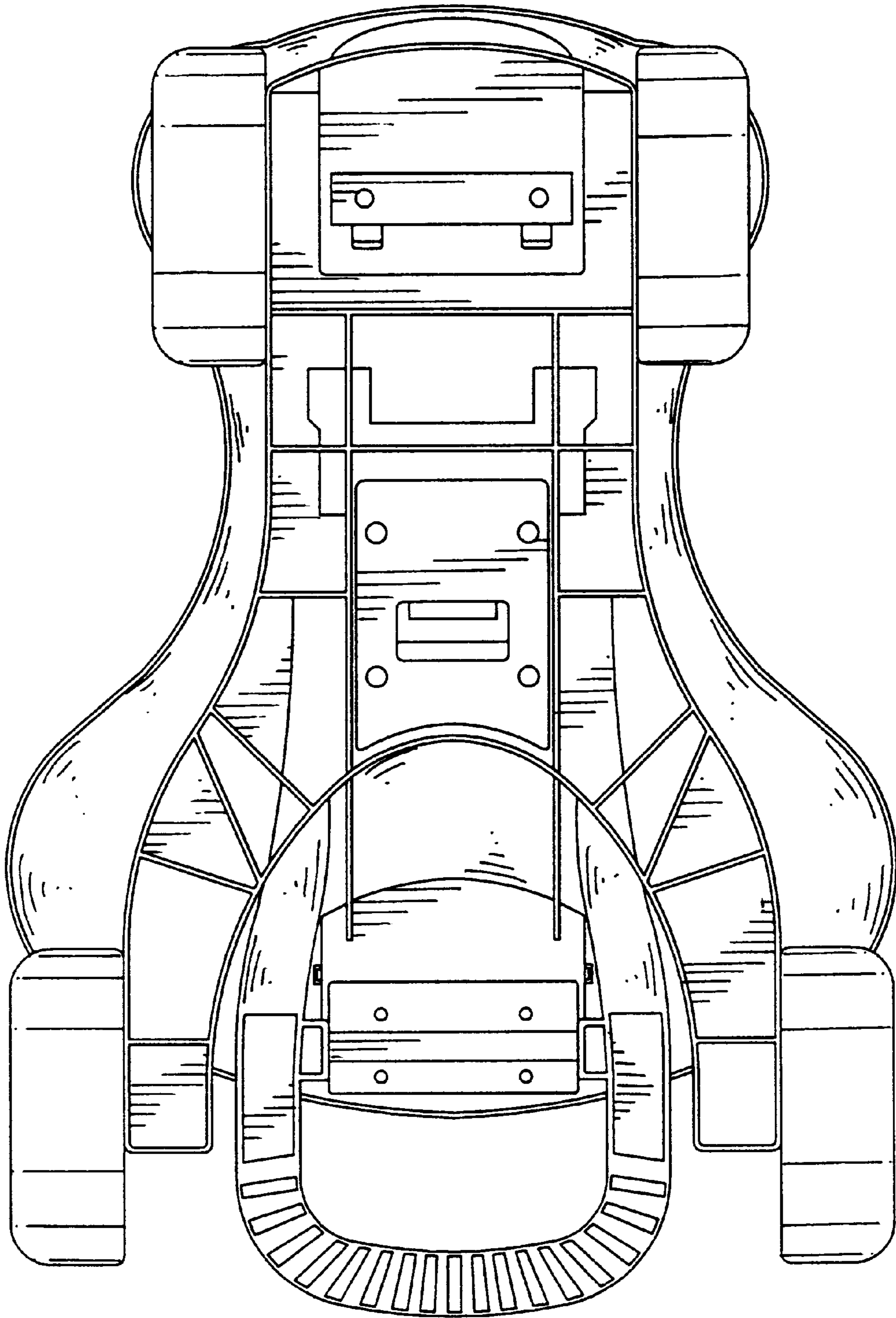


FIG. 5

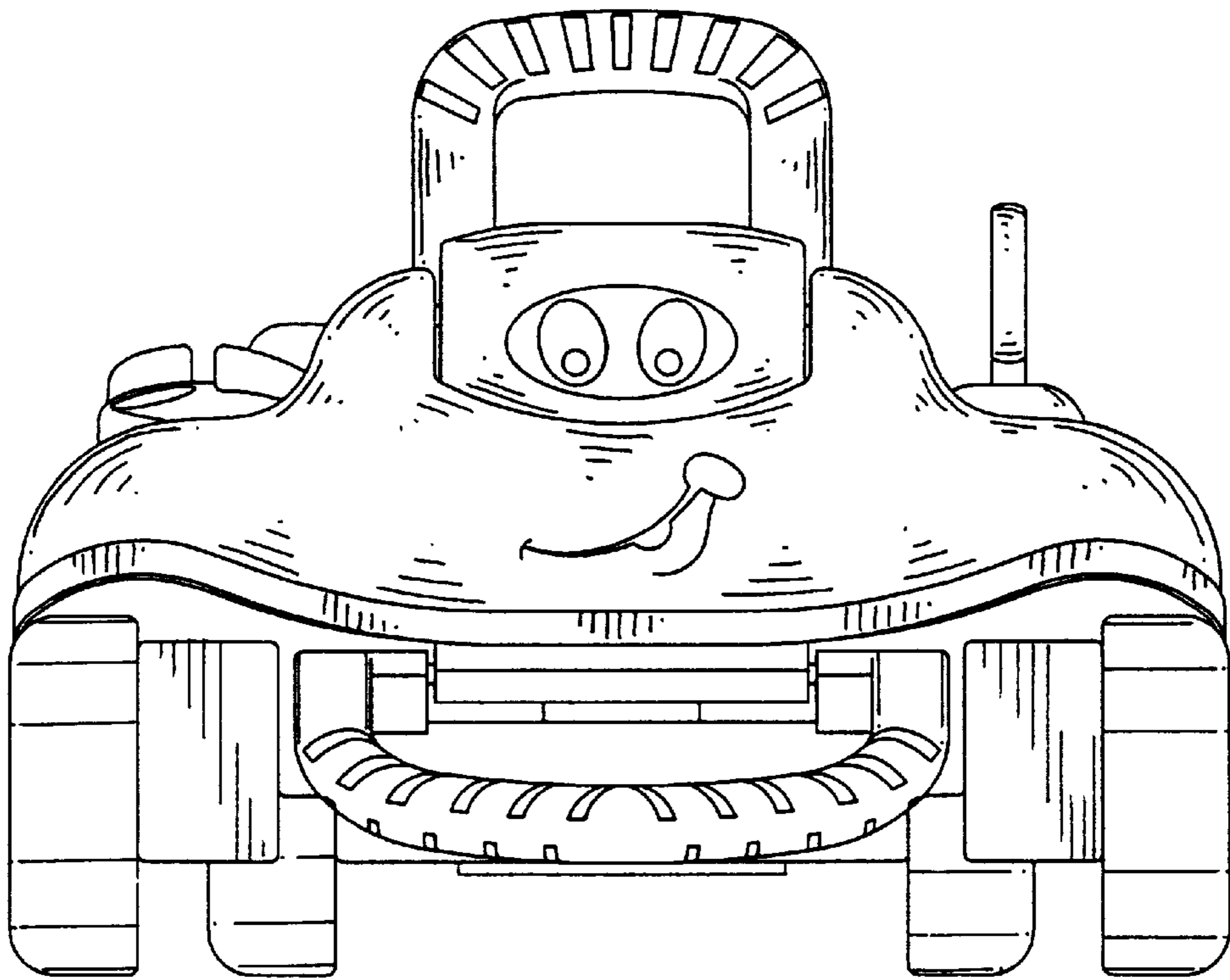


FIG. 6

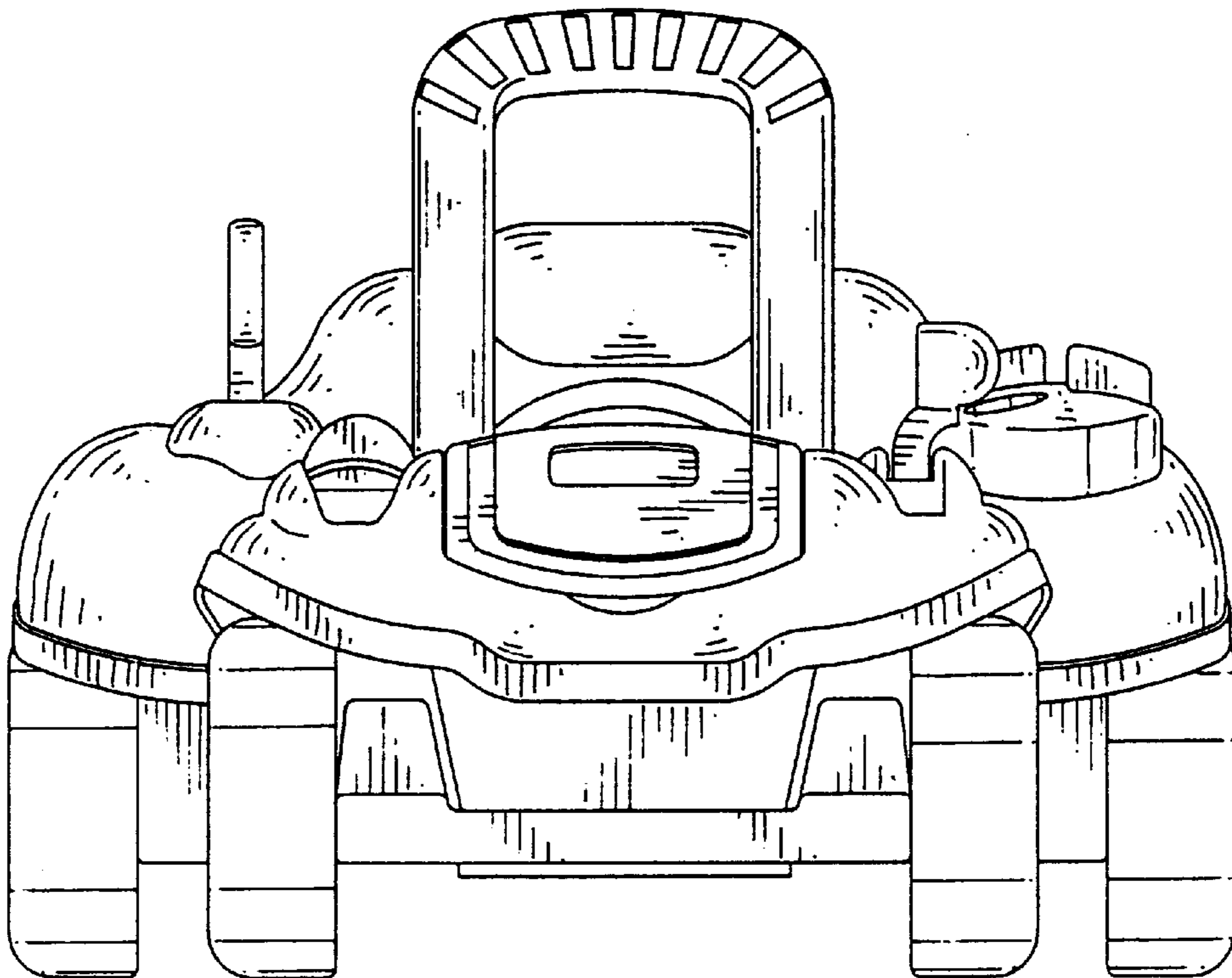


FIG. 7

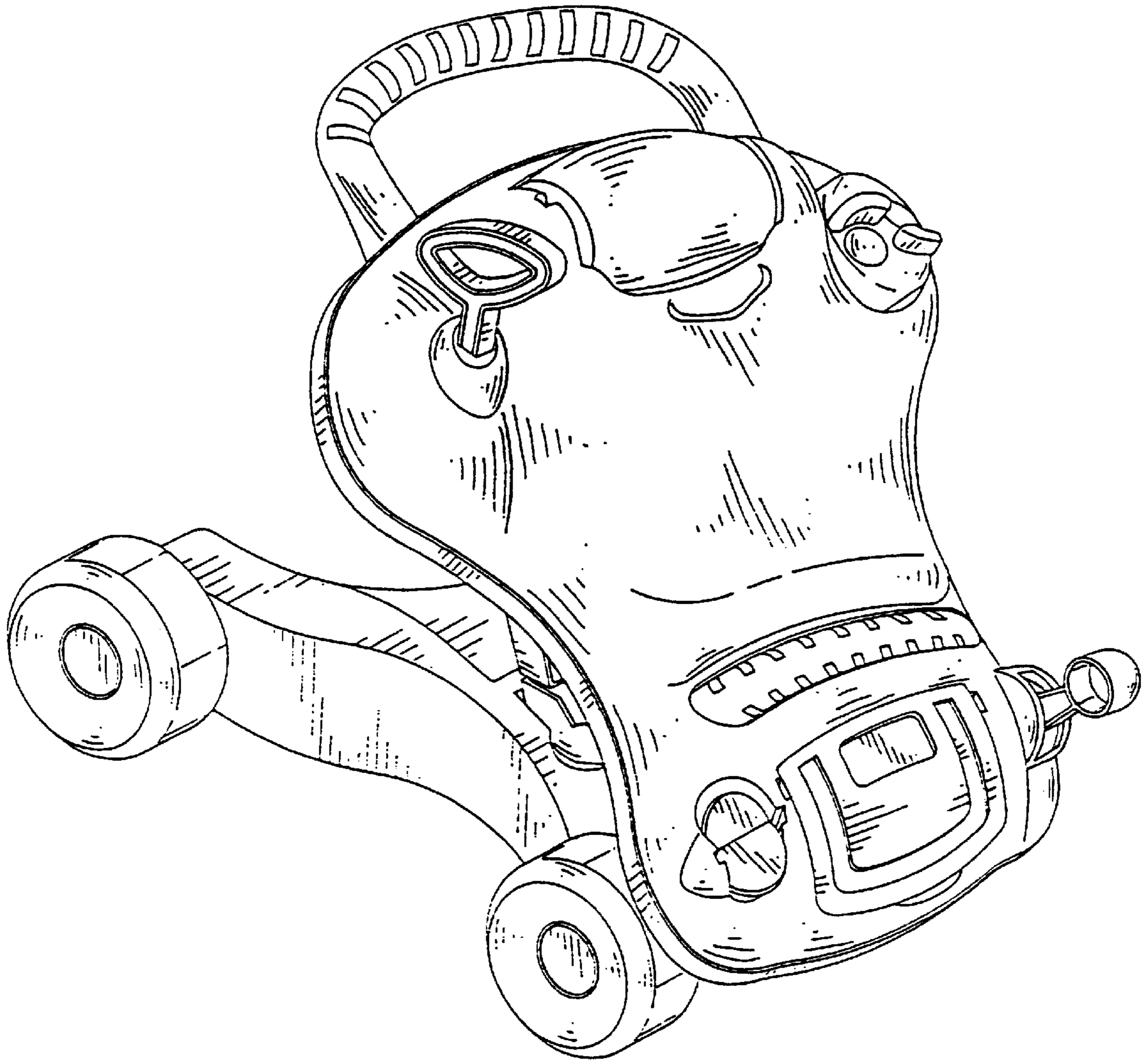


FIG. 8

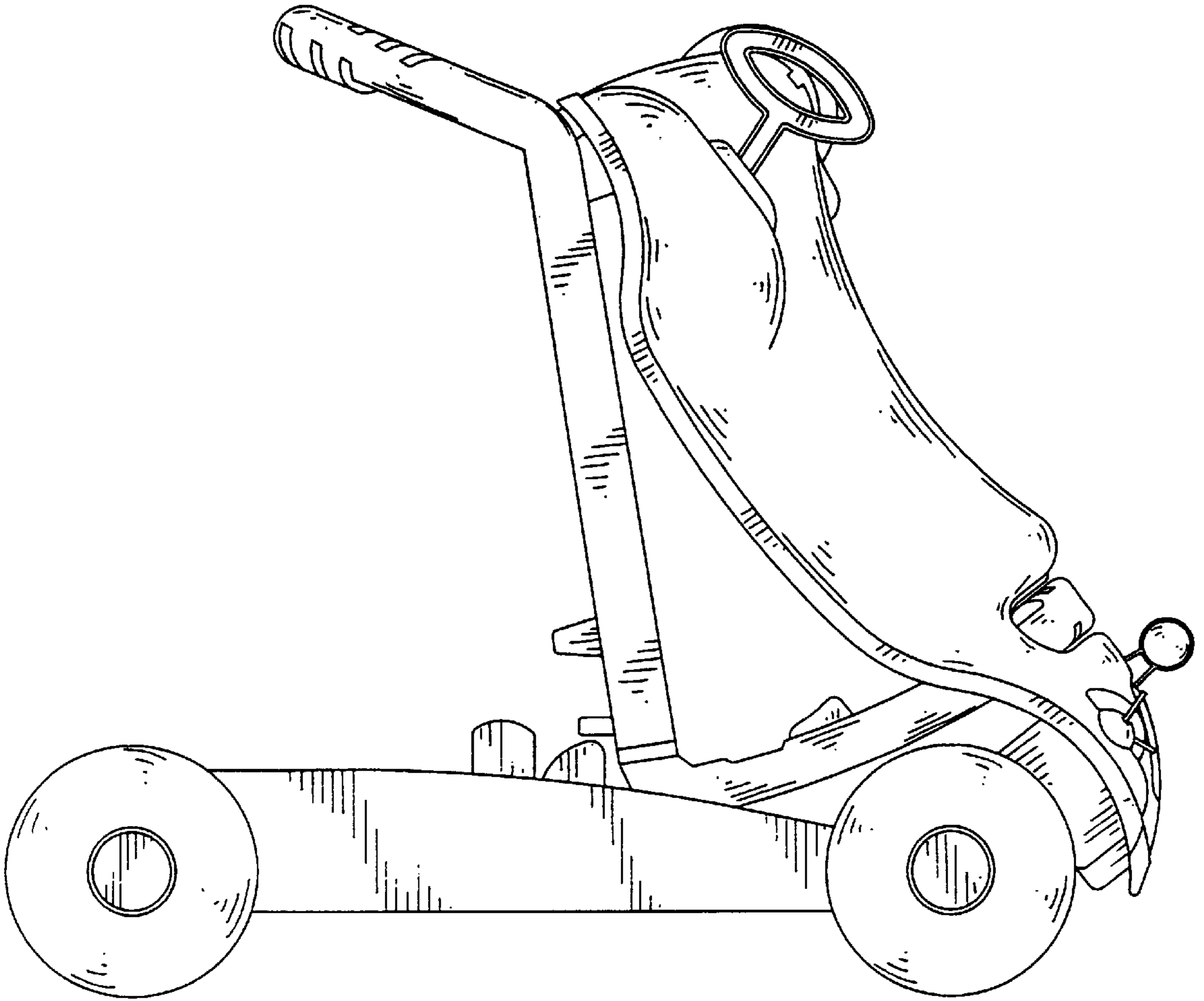


FIG. 9