



US00D424125S

# United States Patent [19] Cregan

[11] **Patent Number: Des. 424,125**

[45] **Date of Patent: \*\* May 2, 2000**

[54] **GAMES TILE RACK**

[76] Inventor: **Robert John Cregan**, Baker Street,  
Fernmount, New South Wales 2454,  
Australia

[\*\*] Term: **14 Years**

[21] Appl. No.: **29/098,169**

[22] Filed: **Dec. 22, 1998**

[30] **Foreign Application Priority Data**

Jun. 22, 1998 [AU] Australia ..... 17901998

[51] **LOC (7) Cl.** ..... **21-01**

[52] **U.S. Cl.** ..... **D21/392**

[58] **Field of Search** ..... D21/385, 392-394,  
D21/396; 273/148 A, 148 R, 150, 236-285;  
D19/90, 91

[56] **References Cited**

**U.S. PATENT DOCUMENTS**

D. 253,775	12/1979	Rieu .....	D19/91
D. 291,900	9/1987	Mortensen .....	D21/392
D. 311,578	10/1990	Maclsaac .....	D23/409
D. 372,742	8/1996	Kakudo .....	D21/392
D. 389,870	1/1998	Hart et al. ....	D19/90

*Primary Examiner*—Sandra L. Morris  
*Attorney, Agent, or Firm*—Morgan & Finnegan, L.L.P.

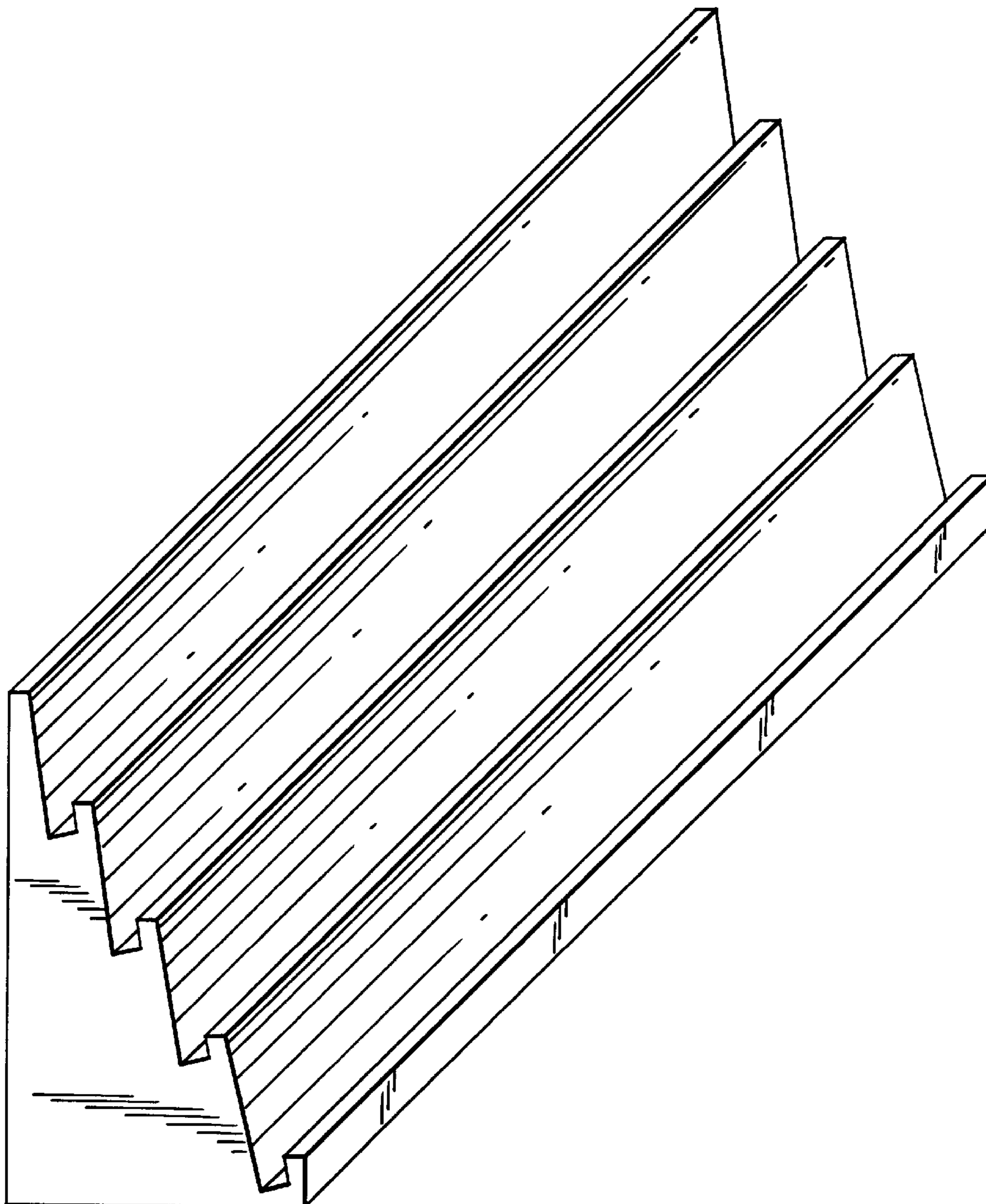
[57] **CLAIM**

The ornamental design for a games tile rack, as shown and described.

**DESCRIPTION**

The sole FIGURE is a perspective view of the games tile rack in accordance with the present invention.

**1 Claim, 1 Drawing Sheet**



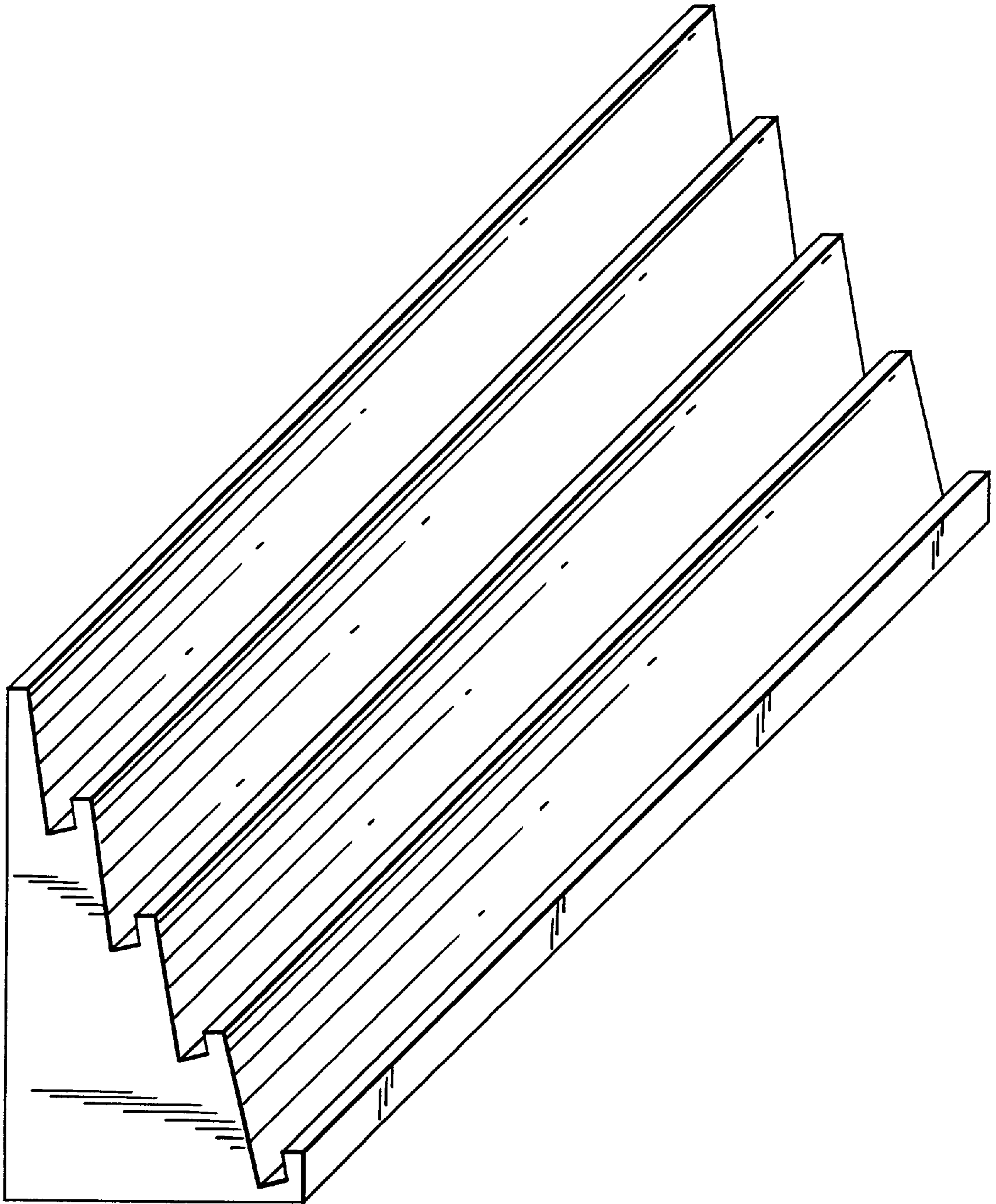


FIG. 1