



US00D424122S

United States Patent [19]

[11] Patent Number: Des. 424,122

Dickenson et al.

[45] Date of Patent: ** May 2, 2000

[54] ELECTRONIC GAME HOUSING

5,413,357 5/1995 Schulze et al. 463/46 X
5,456,468 10/1995 Stringfellow et al. 463/46

[75] Inventors: Robert M. Dickenson, Henderson;
Richard Jay Schneider, Las Vegas;
Joseph Wesley Cole, Las Vegas; Linn
A. McKay, Las Vegas, all of Nev.

OTHER PUBLICATIONS

Vending Times, Apr. 1977, p. 48.
Sega Enterprises, 1994.

[73] Assignee: Casino Data Systems, Las Vegas, Nev.

Primary Examiner—Prabhakar G. Deshmukh
Attorney, Agent, or Firm—Bernhard Kreten

[**] Term: 14 Years

[57] CLAIM

[21] Appl. No.: 29/052,216

The ornamental design for a electronic game housing, as shown and described.

[22] Filed: Mar. 25, 1996

DESCRIPTION

[51] LOC (7) Cl. 21-01

[52] U.S. Cl. D21/13

[58] Field of Search D21/13, 1, 48;
273/148 B; 463/30-35, 46

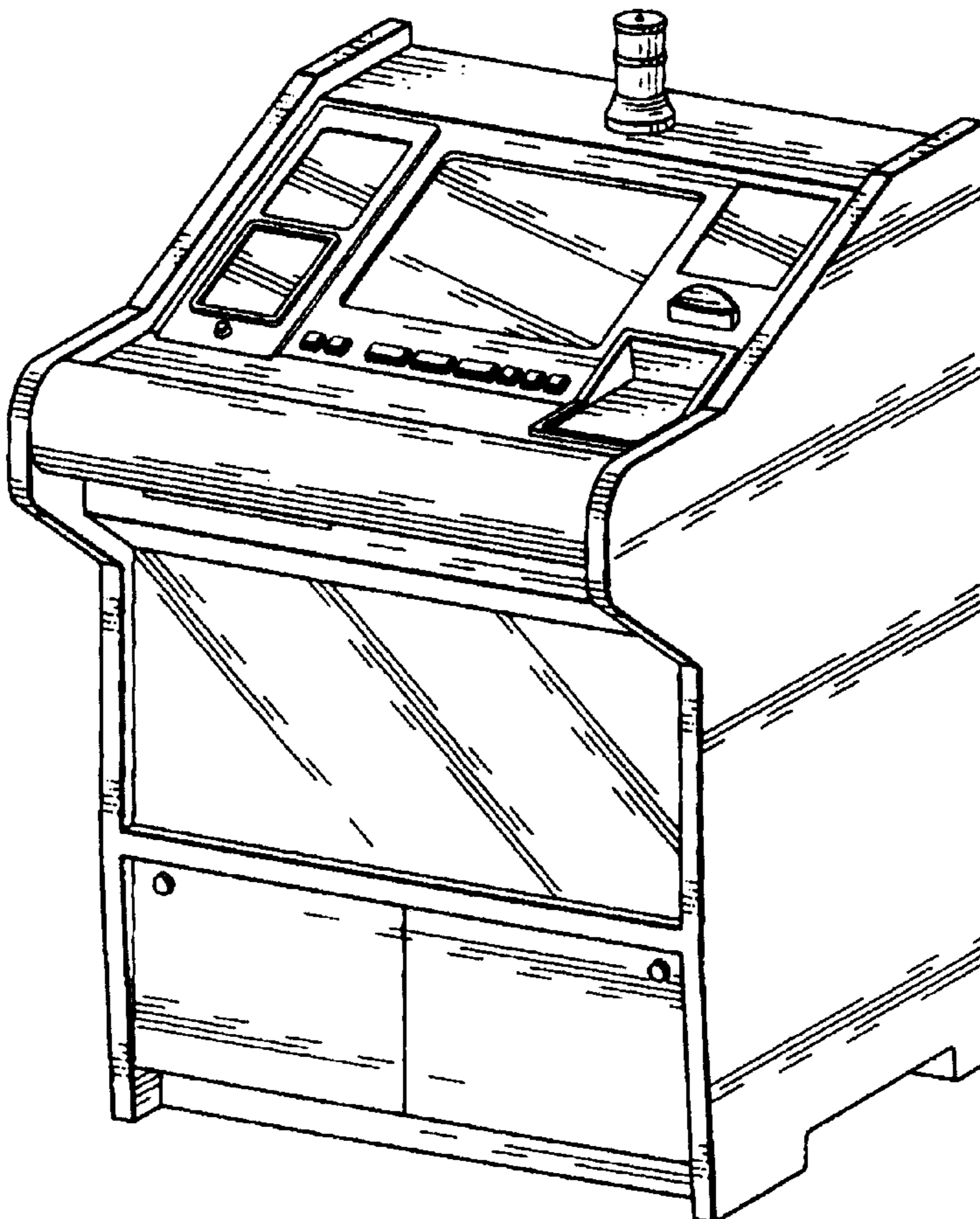
FIG. 1 is an elevational perspective view of a electronic game housing showing our new design;
FIG. 2 is a front view thereof;
FIG. 3 is a right side view thereof, the left side being a mirror image thereof;
FIG. 4 is a rear view thereof;
FIG. 5 is a top plan view thereof;
FIG. 6 is a bottom view thereof; and,
FIG. 7 is an auxiliary view viewed along line 7—7 of FIG. 3.

[56] References Cited

U.S. PATENT DOCUMENTS

D. 246,918	1/1978	Sauter	D21/13
D. 272,163	1/1984	Takizawa	D21/13
D. 280,747	9/1985	Stasney	D21/13
D. 293,120	12/1987	De Prins	D21/13
D. 351,866	10/1994	Freels et al.	D21/13
4,440,457	4/1984	Fogelman et al.	463/46

1 Claim, 3 Drawing Sheets



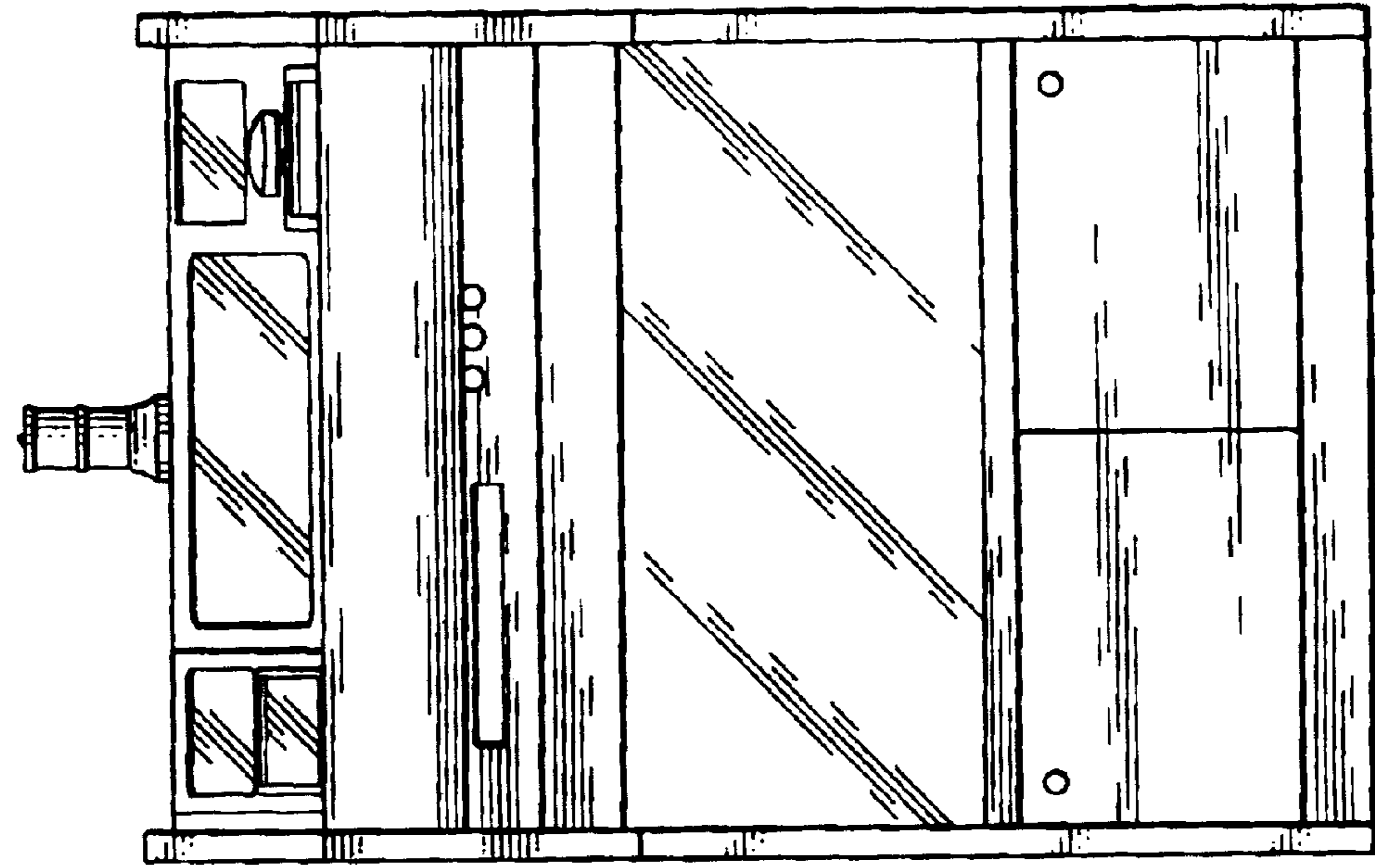


Fig. 2

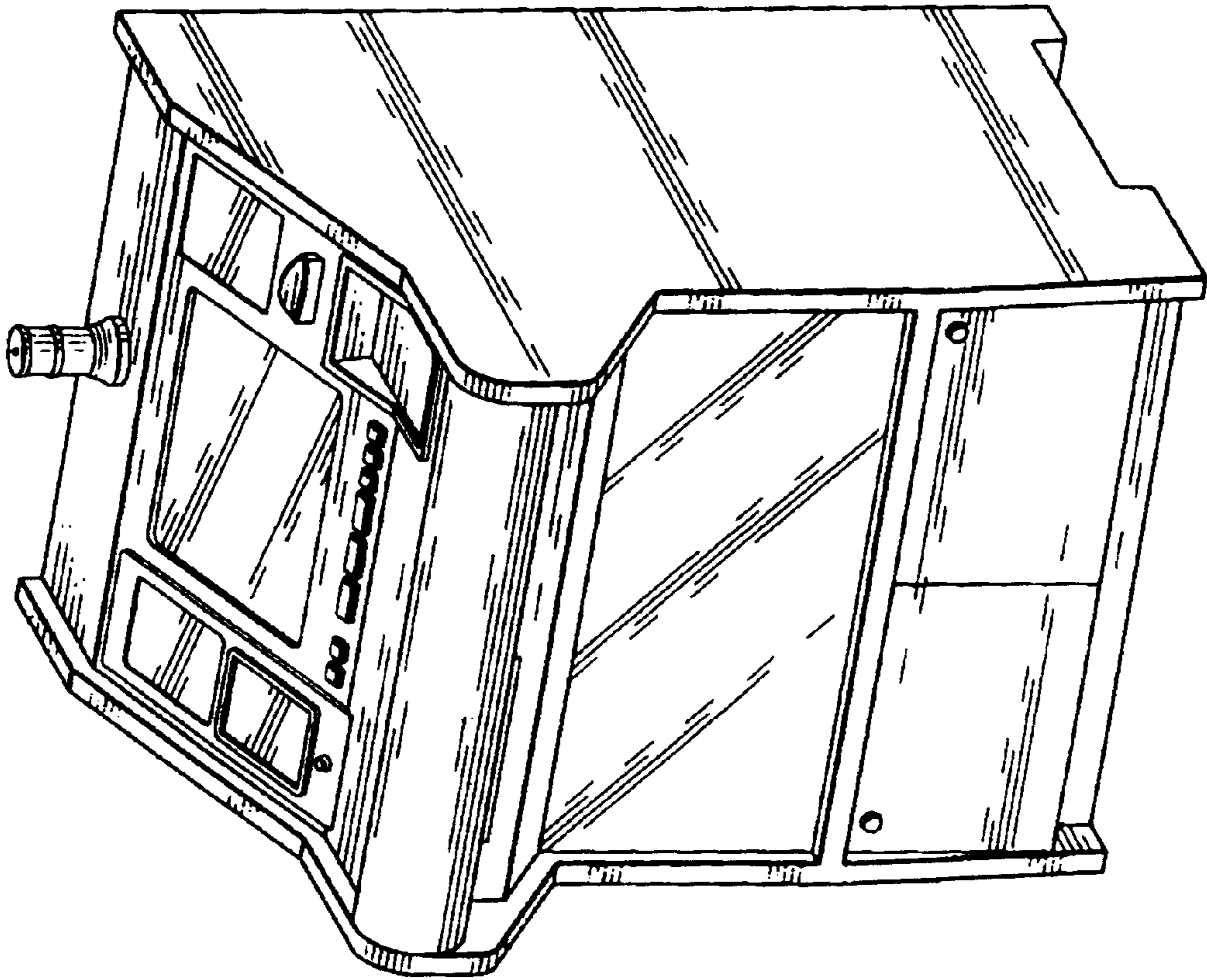


Fig. 1

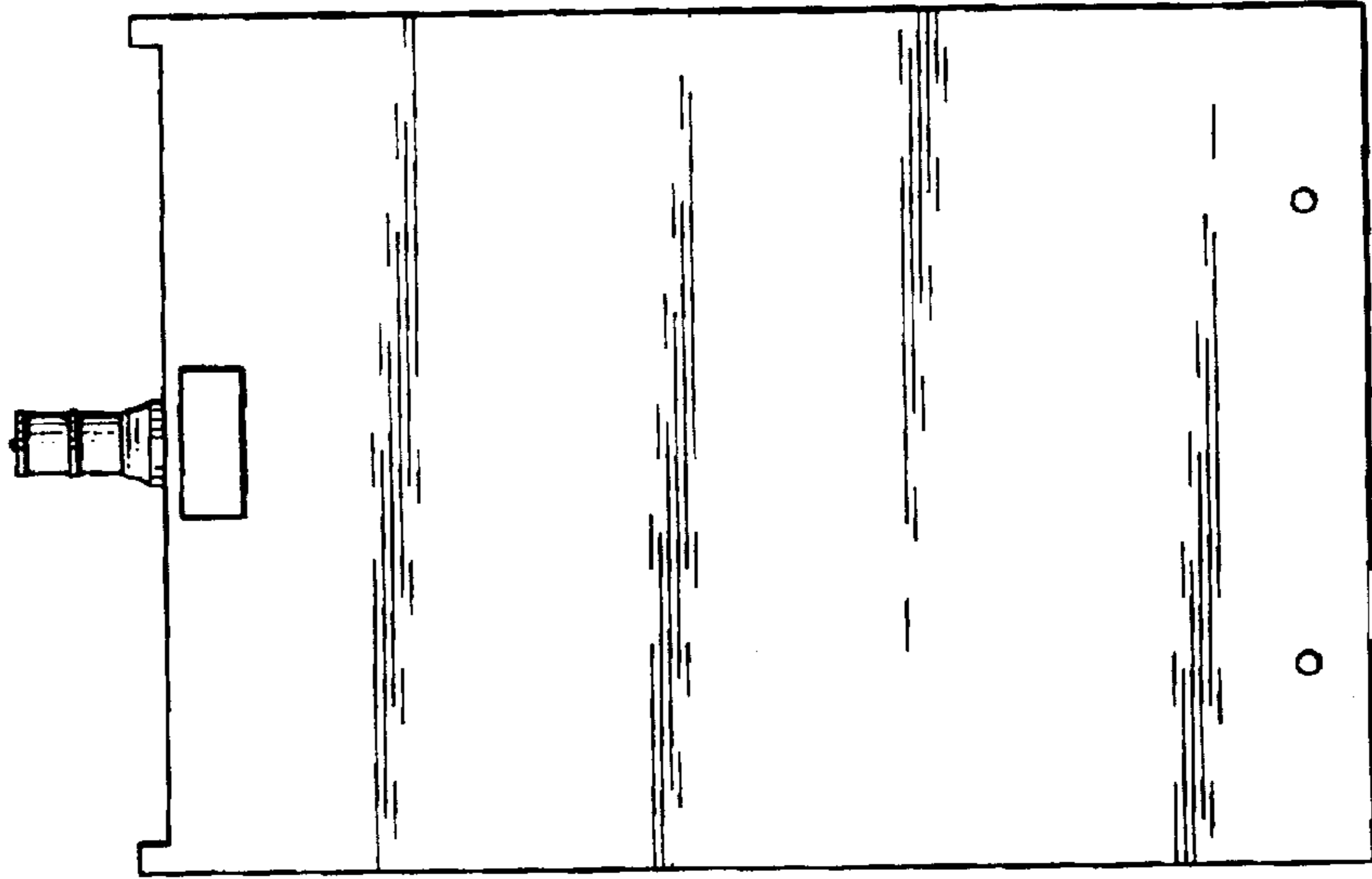


Fig. 4

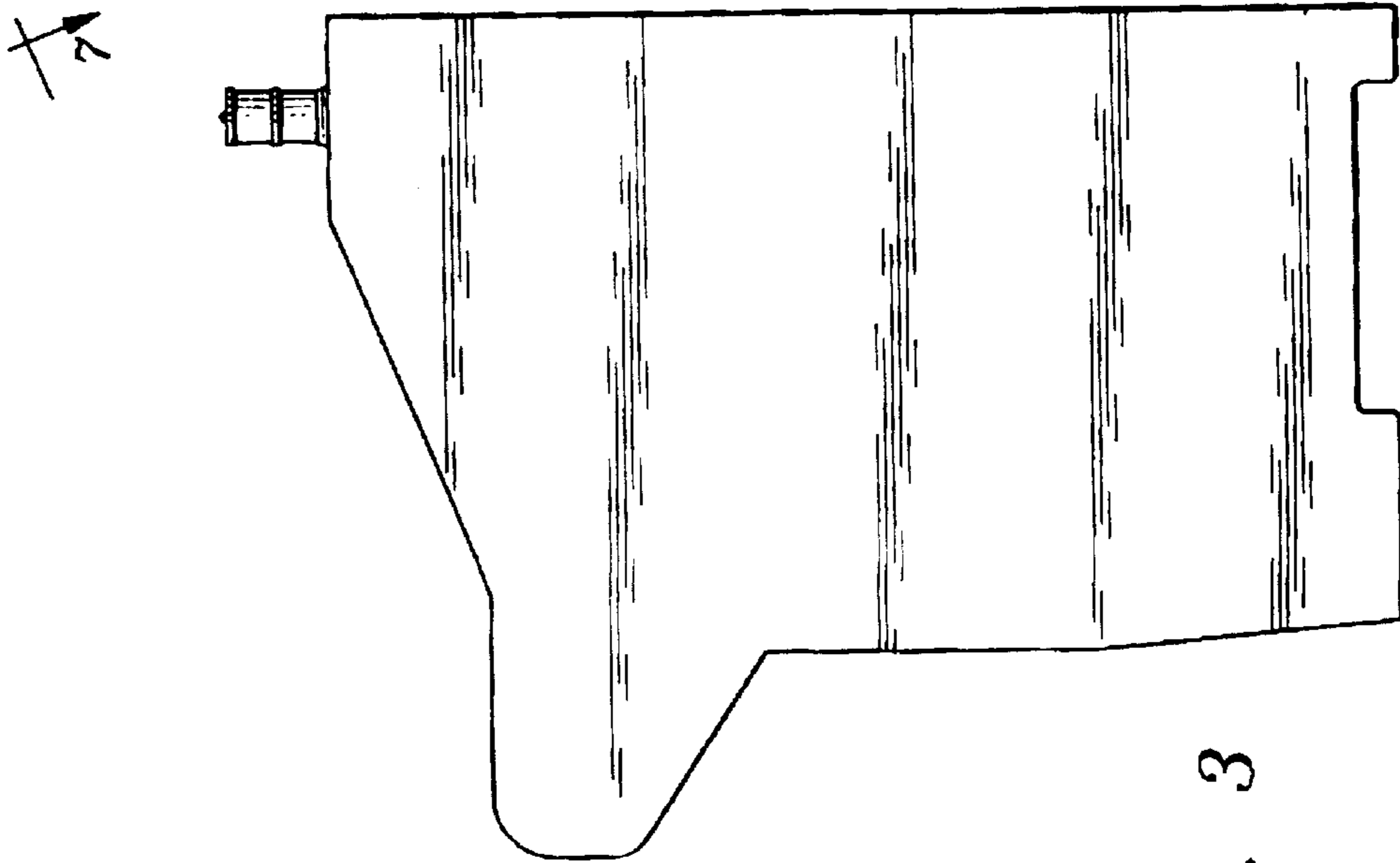


Fig. 3



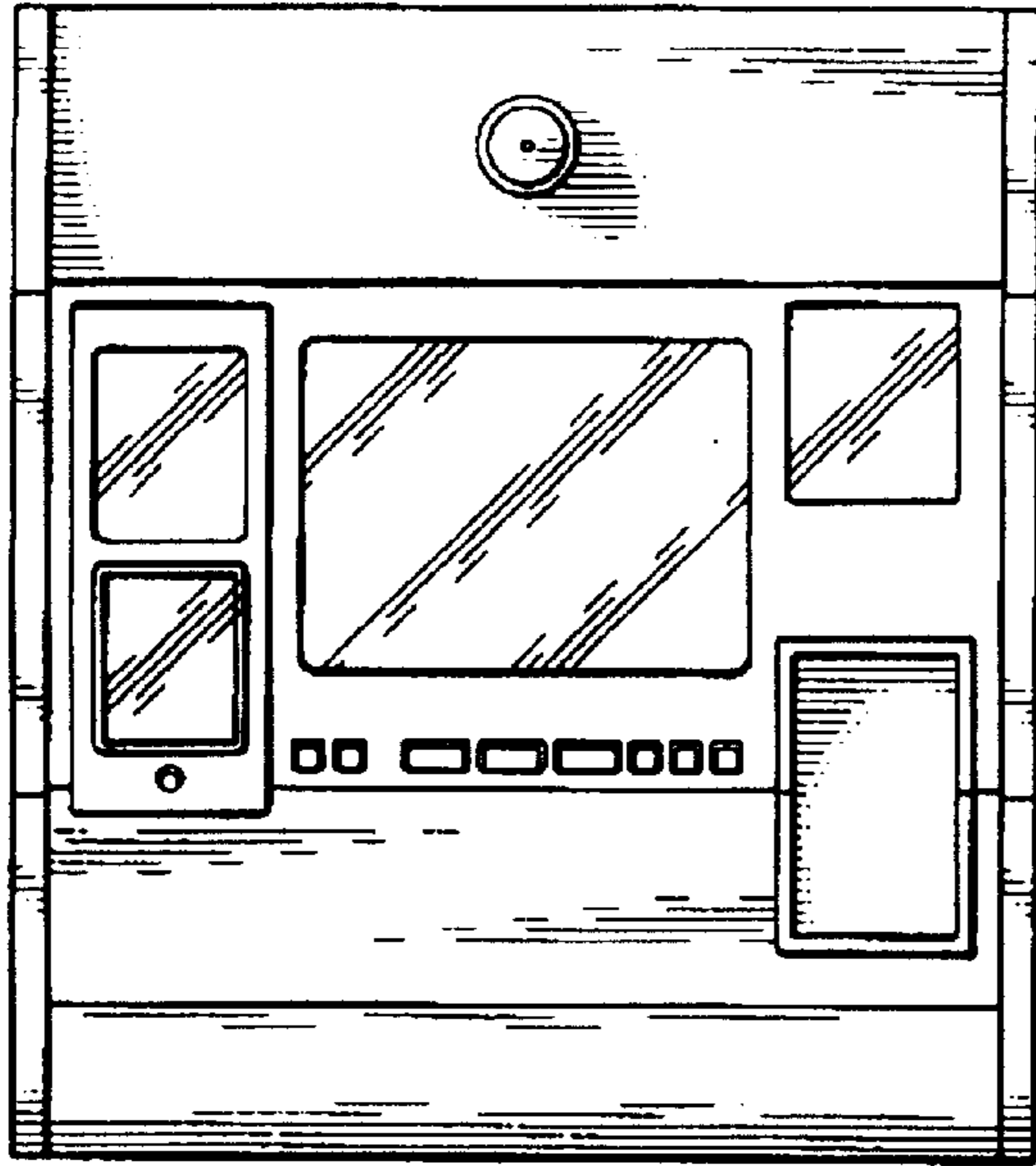


Fig. 5

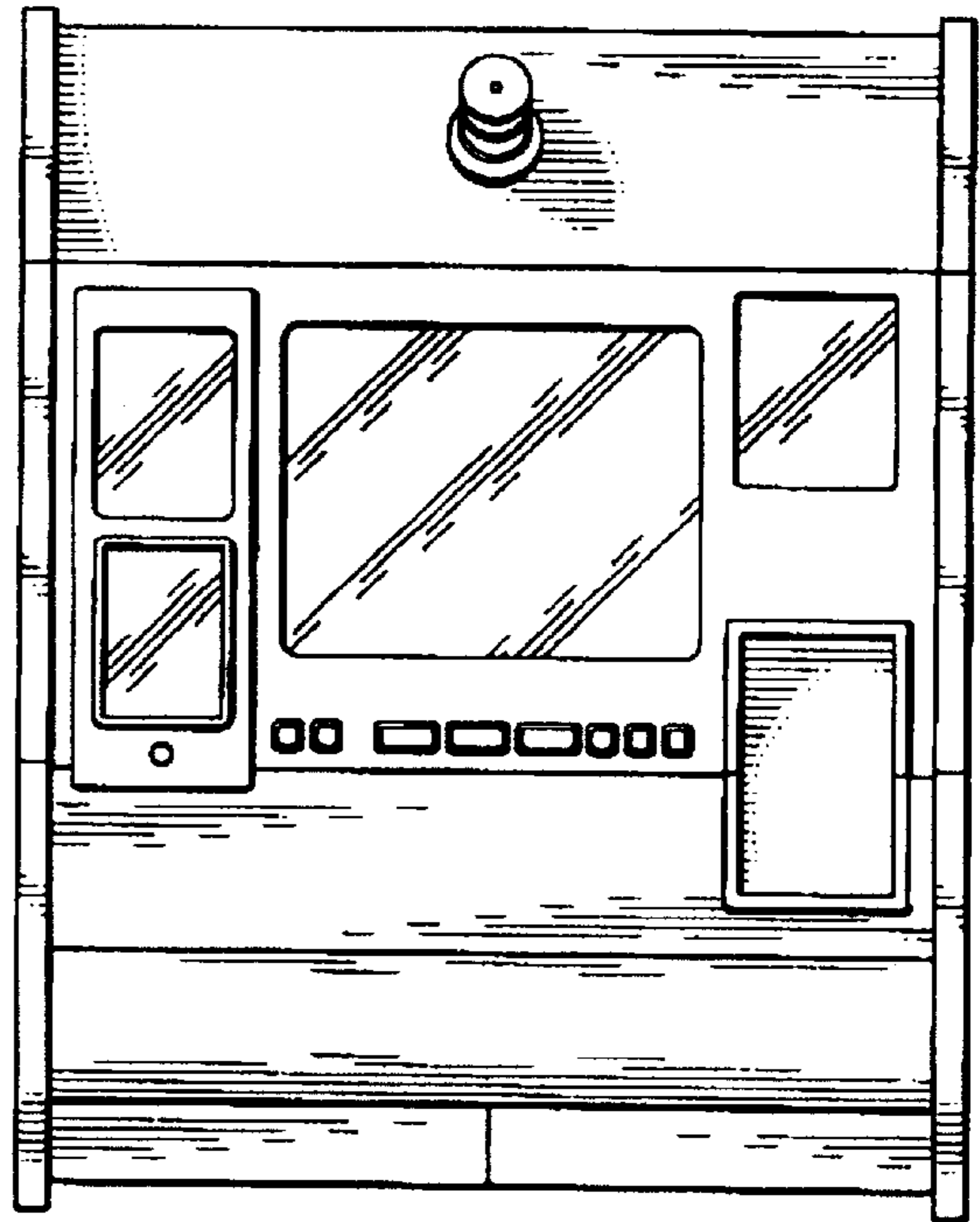


Fig. 7

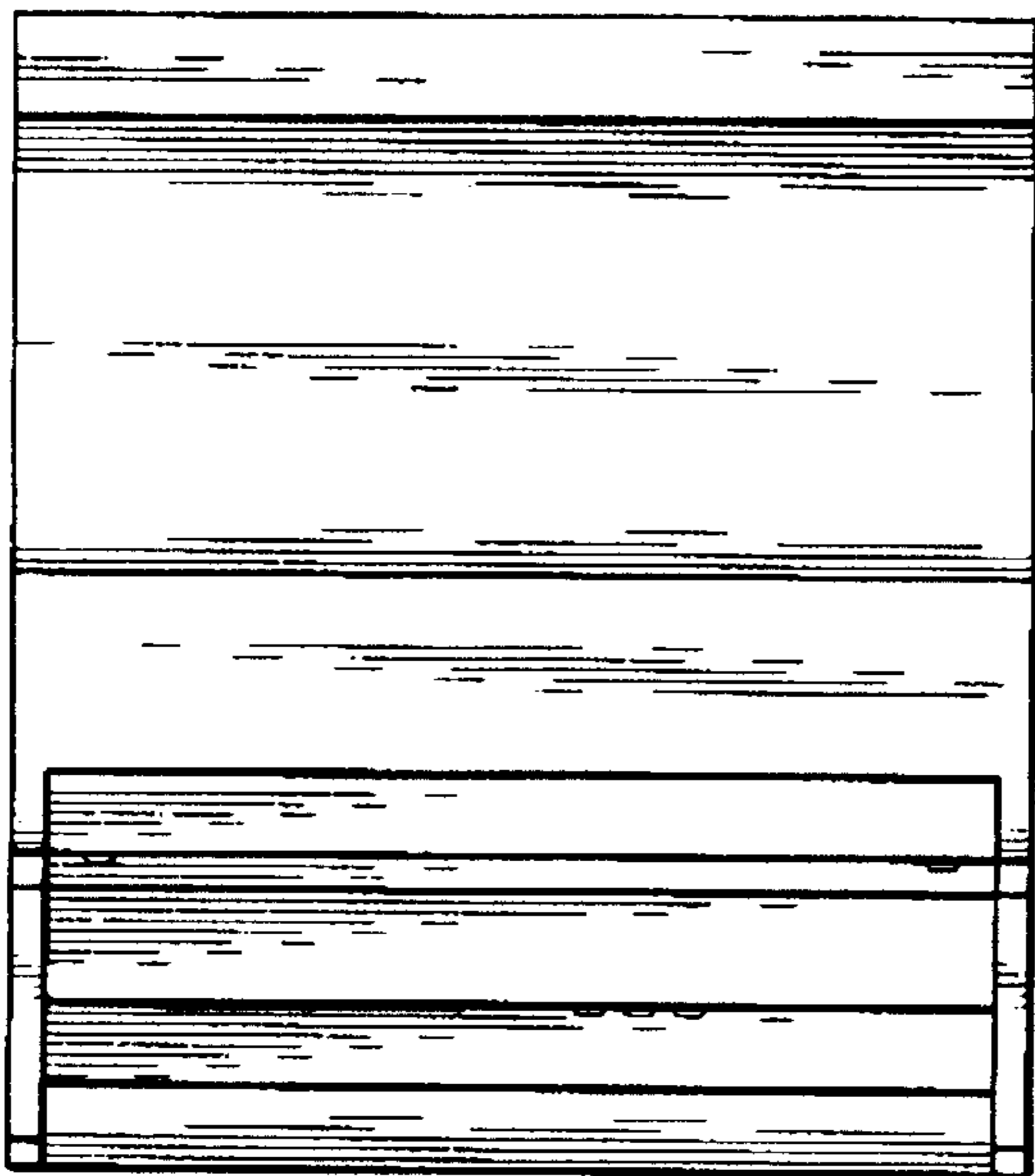


Fig. 6