



US00D424121S

United States Patent [19] Kump

[11] Patent Number: Des. 424,121

[45] Date of Patent: ** May 2, 2000

[54] SHELF TOP SIGN HOLDER

5,683,003 11/1997 Gebka .
5,722,625 3/1998 Kenney .

[75] Inventor: Daniel J. Kump, Gates Mills, Ohio

OTHER PUBLICATIONS

[73] Assignee: Fasteners For Retail, Inc., Cleveland, Ohio

Fasteners for Retail Brochure of Apr. 1998, entitled "Fasteners For Retail Yellow Pages", Cover, last page and pp. 20, 37, 38, 42 and 97.

[**] Term: 14 Years

Primary Examiner—Susan J. Lucas
Assistant Examiner—Jennifer Rivard
Attorney, Agent, or Firm—Fay, Sharpe, Fagan, Minnich & McKee, LLP

[21] Appl. No.: 29/099,516

[22] Filed: Jan. 22, 1999

[51] LOC (7) Cl. 20-03

[52] U.S. Cl. D20/43

[58] Field of Search 40/642.01, 642.02,
40/646, 661, 666; D20/10, 42, 43, 44

[57] CLAIM

The ornamental design for a shelf top sign holder, as shown and described.

[56] References Cited

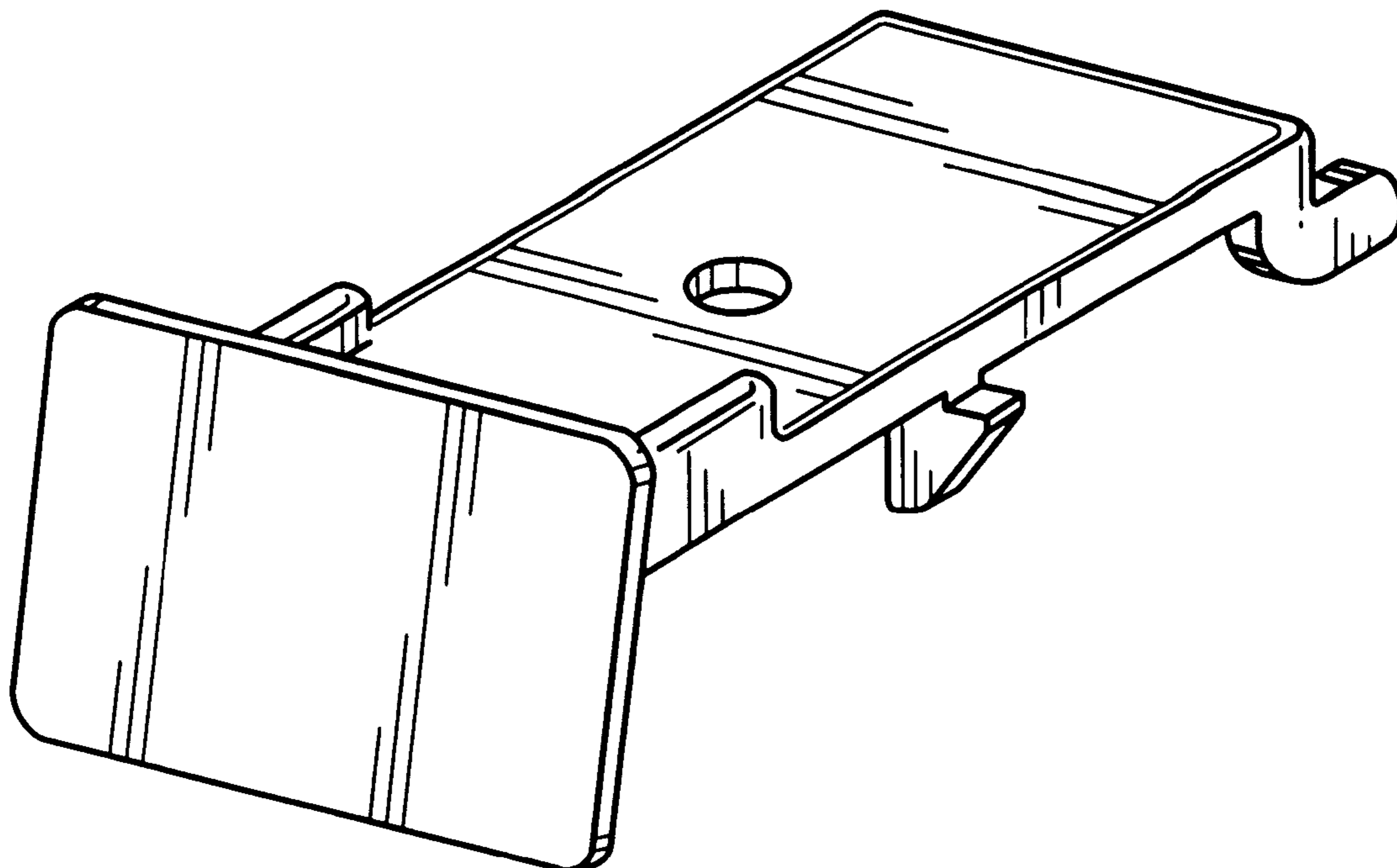
DESCRIPTION

U.S. PATENT DOCUMENTS

D. 206,783	1/1967	McCormick	D20/43
D. 306,878	3/1990	Crowley	D20/43
D. 350,568	9/1994	Lucarelli	D20/43
4,646,454	3/1987	Fast	40/584 X
5,346,166	9/1994	Valiulis .		
5,415,370	5/1995	Valiulis .		
5,421,113	6/1995	Gebka et al.	40/642.01
5,442,872	8/1995	Moser	40/642.01
5,678,795	10/1997	Henry et al. .		

FIG. 1 is a perspective view of the shelf top sign holder showing my new design;
FIG. 2 is a top plan view thereof;
FIG. 3 is a right side elevational view thereof, the left side elevational view being a mirror image thereof;
FIG. 4 is a bottom plan view thereof;
FIG. 5 is a front elevational view thereof; and,
FIG. 6 is a rear elevational view thereof.

1 Claim, 2 Drawing Sheets



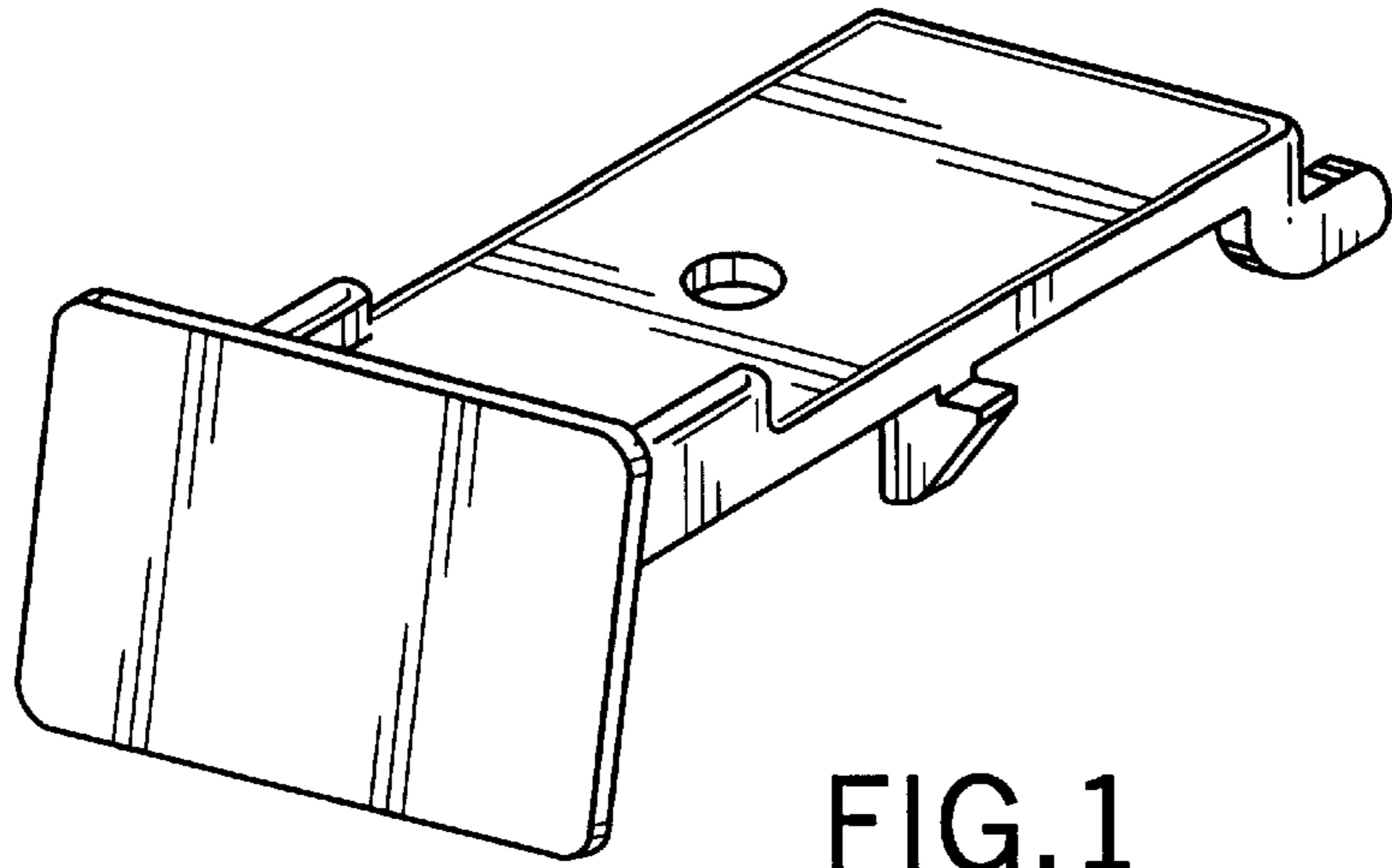


FIG. 1

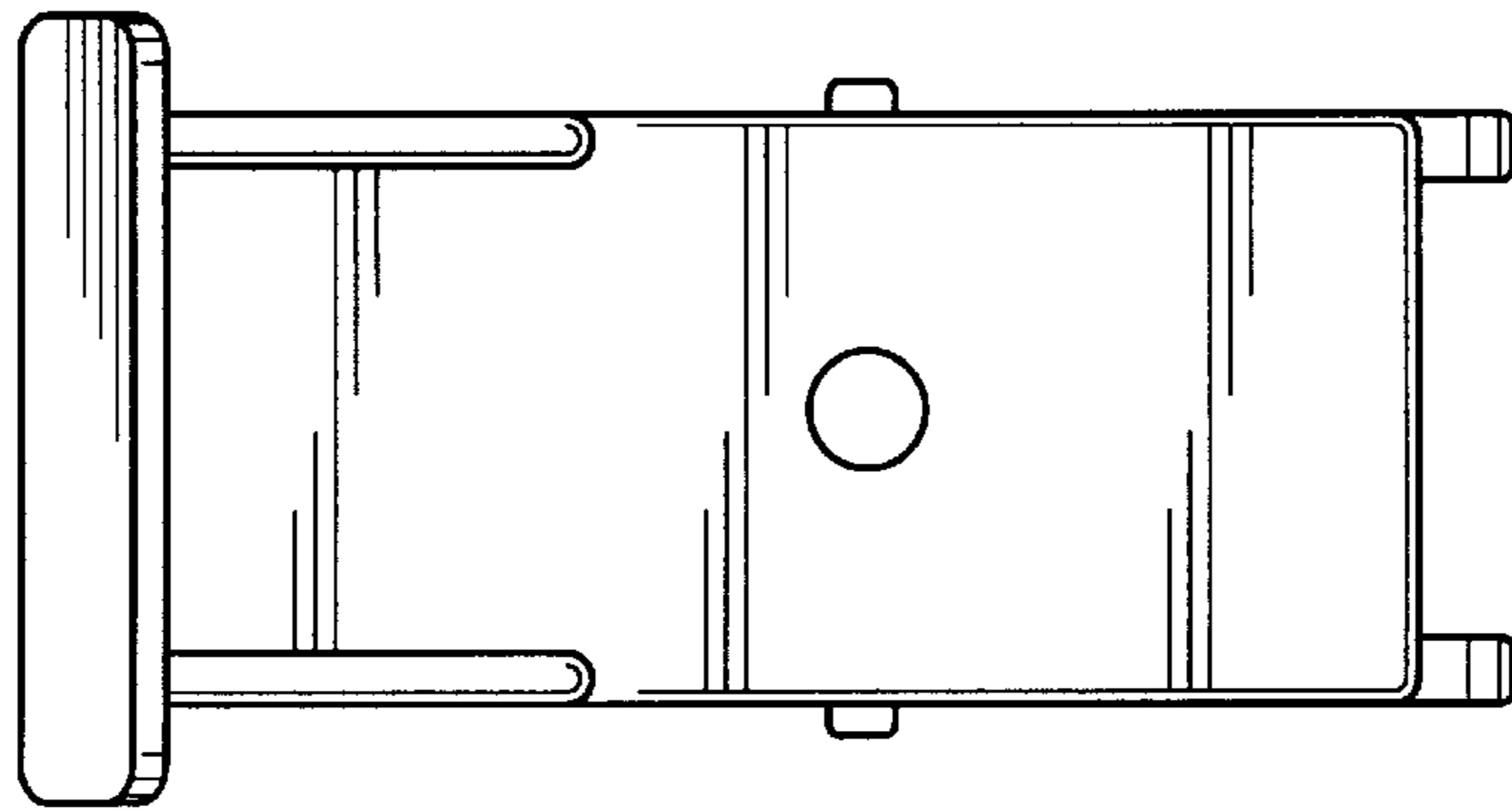


FIG. 2

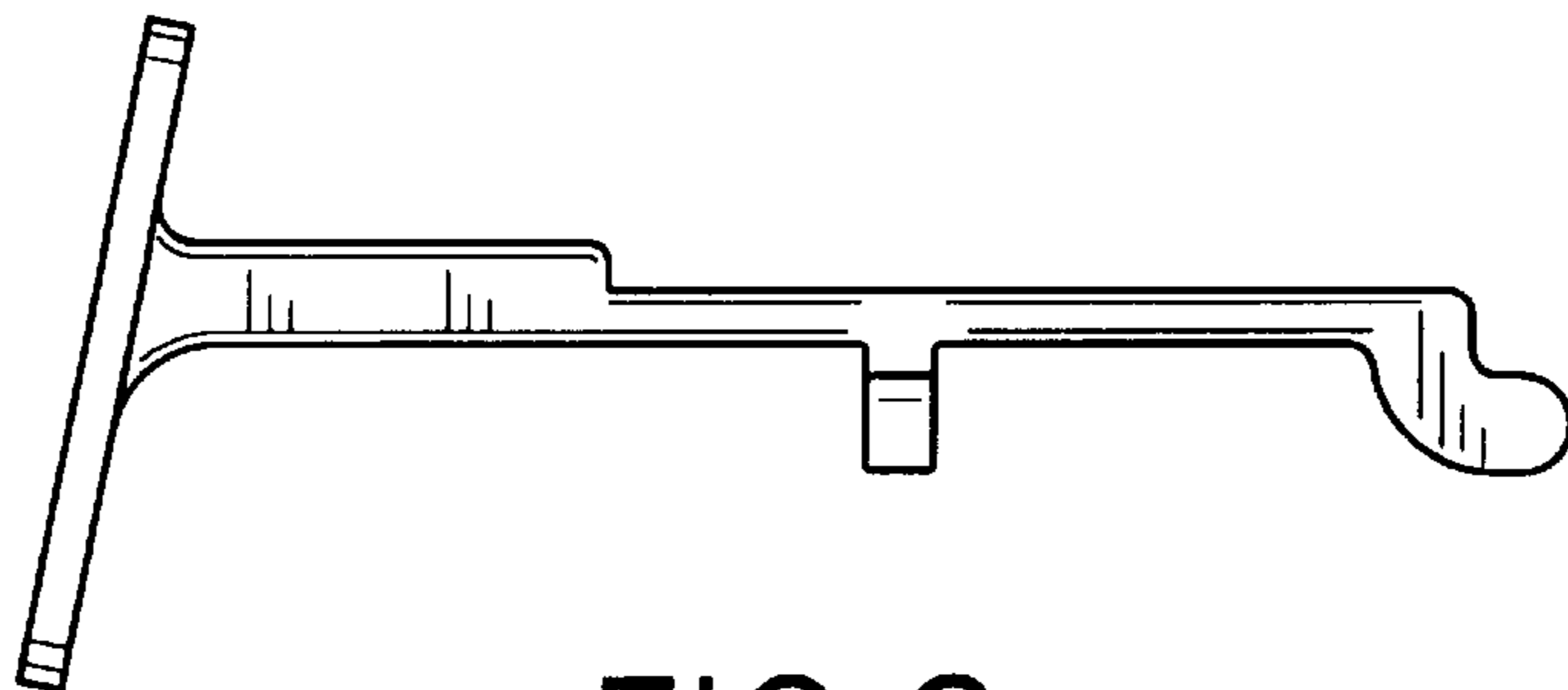


FIG. 3

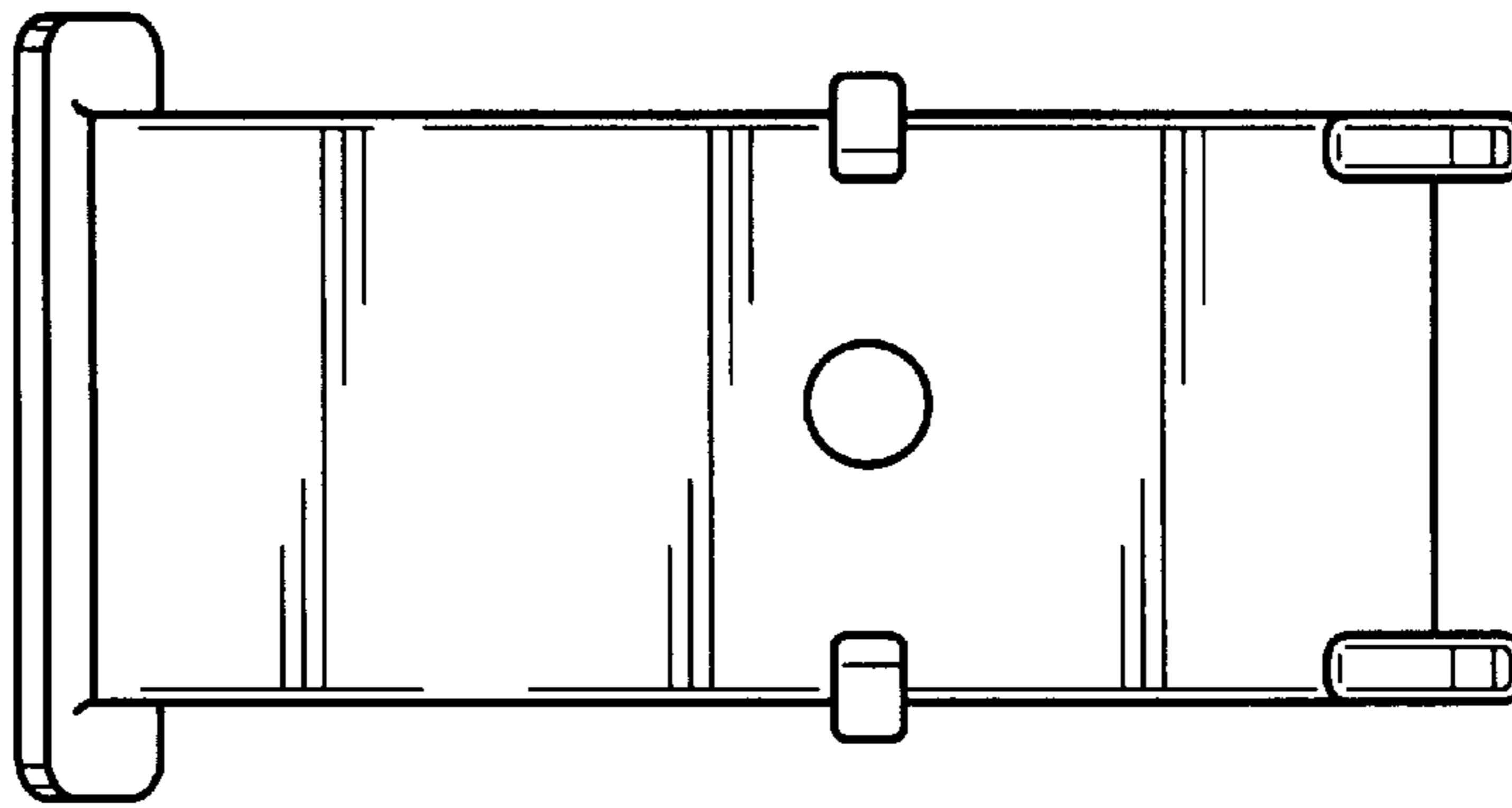


FIG. 4

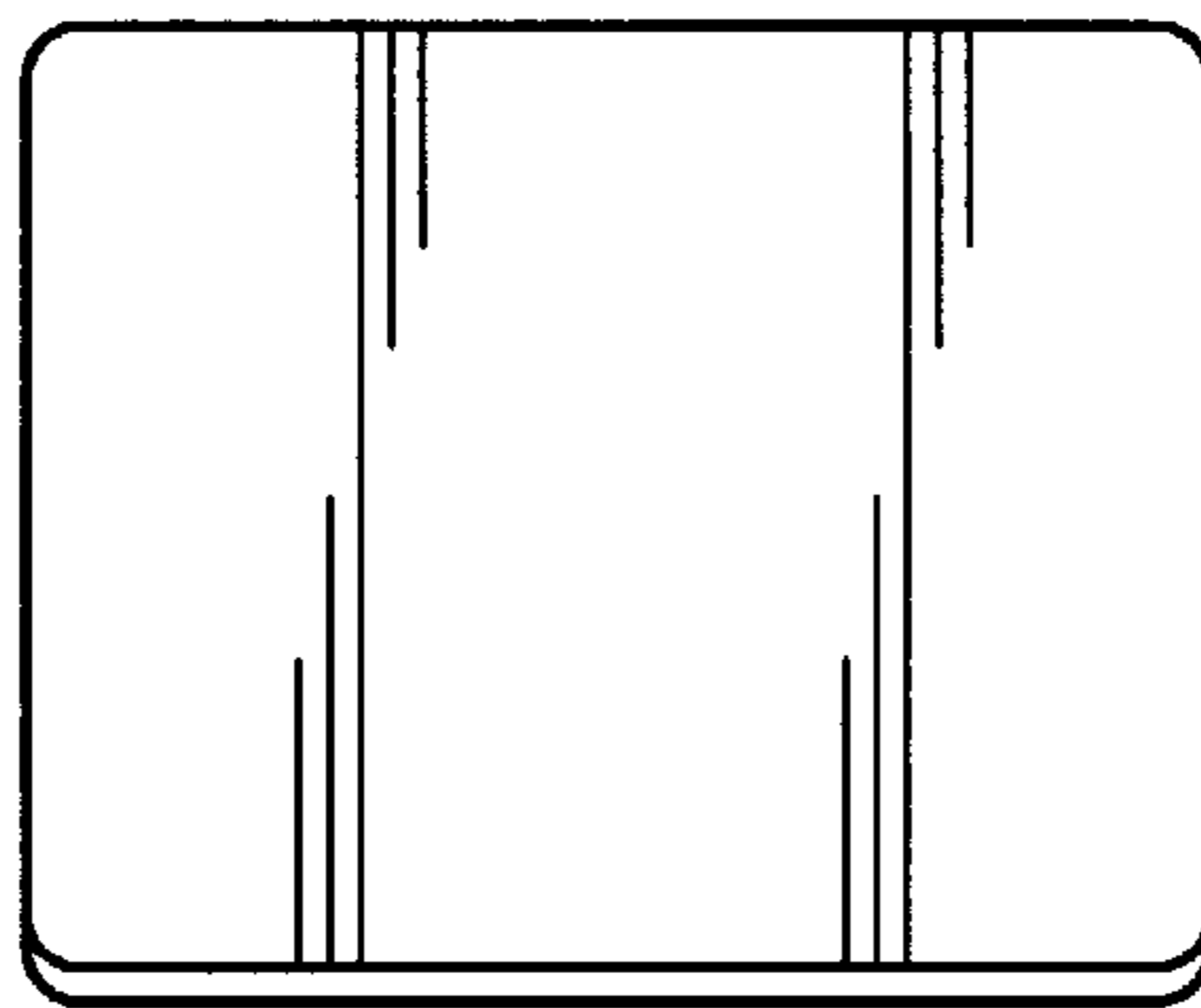


FIG. 5

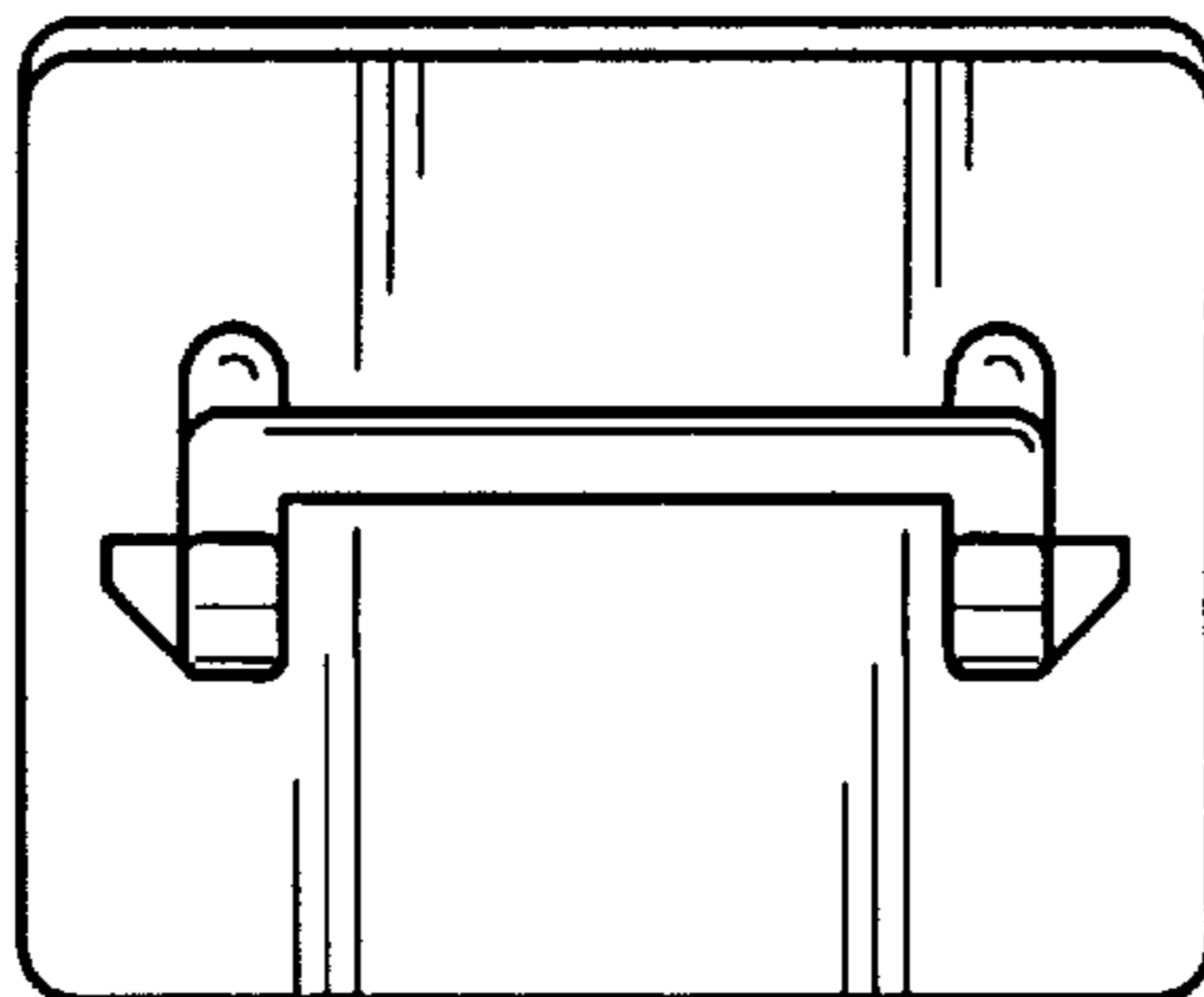


FIG. 6