



US00D424116S

United States Patent [19]

You

[11] **Patent Number: Des. 424,116**

[45] **Date of Patent: ** May 2, 2000**

[54] **CORRECTION TAPE DISPENSER**

[76] **Inventor: Kwang-Ho You**, Namdong-ku, Inchun-shi, Kyonggi-do, Rep. of Korea

[**] **Term: 14 Years**

[21] **Appl. No.: 29/106,585**

[22] **Filed: Jun. 17, 1999**

[51] **LOC (7) Cl. 19-02**

[52] **U.S. Cl. D19/69; D19/67**

[58] **Field of Search** D19/65, 66, 67, D19/68, 69, 53, 89, 99, 100; 225/6, 7, 19, 25, 34, 35, 44, 45, 56, 65, 77, 89; 156/510, 327, 527, 577; 242/588-588.6; 15/104.94; 400/248

[56] **References Cited**

U.S. PATENT DOCUMENTS

- D. 355,934 2/1995 Oga et al. D19/69
- D. 369,385 4/1996 Lapointe D19/69
- D. 378,532 3/1997 Suzuki D19/69

- D. 400,923 11/1998 Katami D19/69
- 5,430,904 7/1995 Ono et al. 15/104.94
- 5,512,128 4/1996 Manusch et al. 156/577
- 5,595,626 1/1997 Yokouchi et al. 156/577

Primary Examiner—Martie K. Holtje
Attorney, Agent, or Firm—Eugene Lieberstein; Michael N. Meller

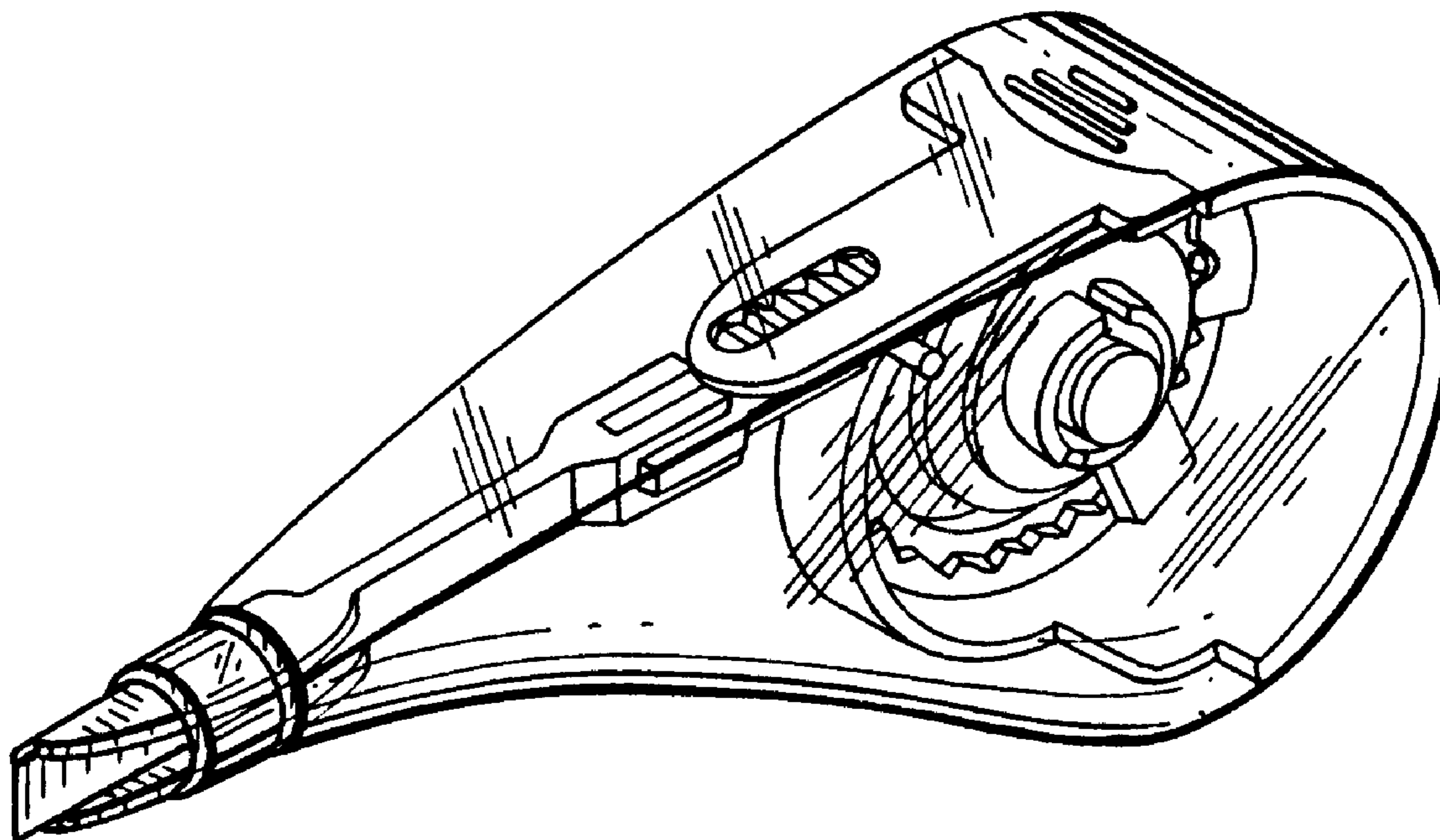
[57] **CLAIM**

The ornamental design for a correction tape dispenser, as shown and described.

DESCRIPTION

FIG. 1 is a perspective view;
FIG. 2 is a front elevational view thereof;
FIG. 3 is a rear elevational view thereof;
FIG. 4 is a left side elevational view thereof;
FIG. 5 is a right side elevational view thereof;
FIG. 6 is a top plan view thereof;
FIG. 7 is a bottom plan view thereof; and,
FIG. 8 is an exploded perspective view thereof.

1 Claim, 5 Drawing Sheets



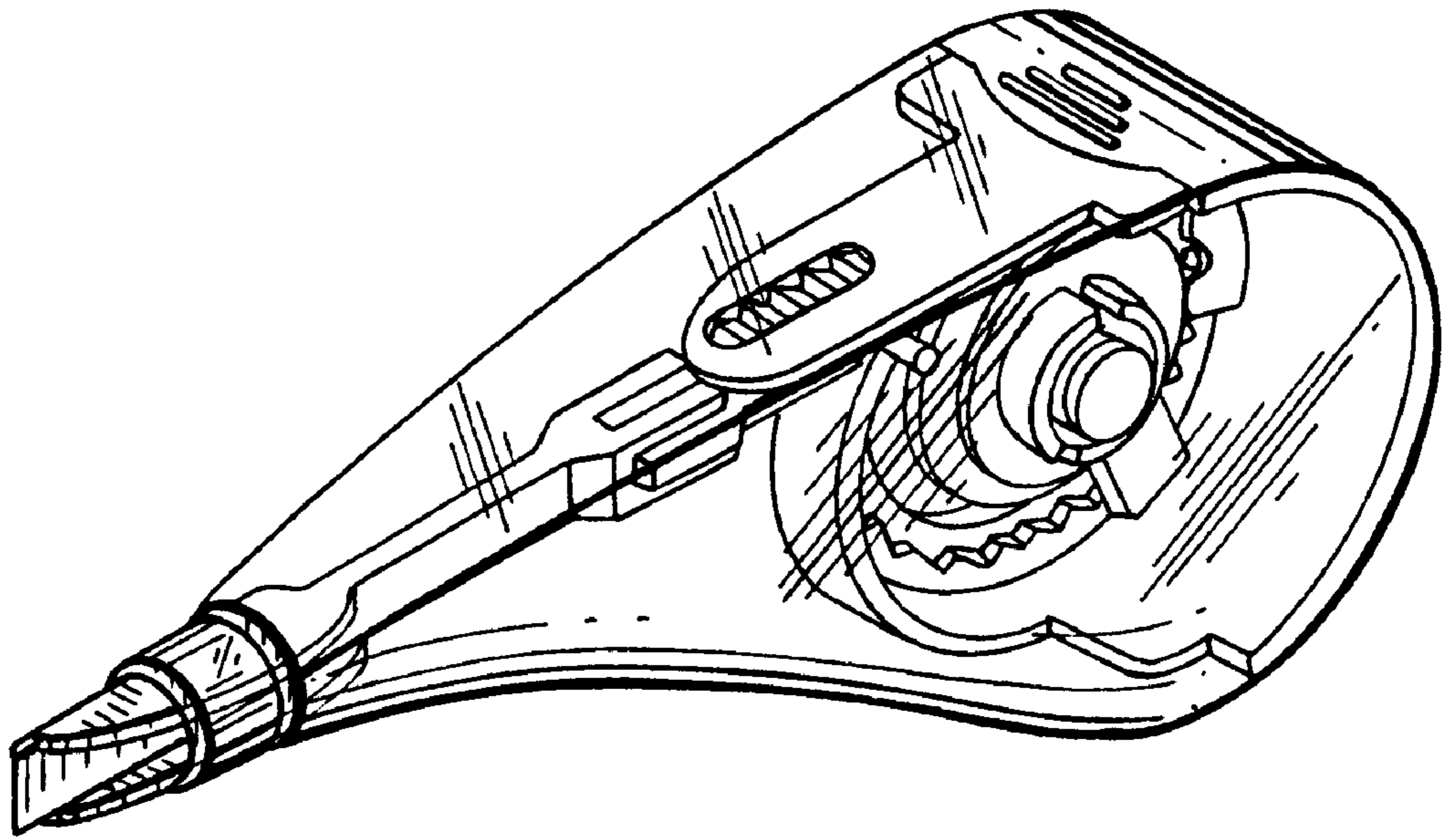


FIG. 1

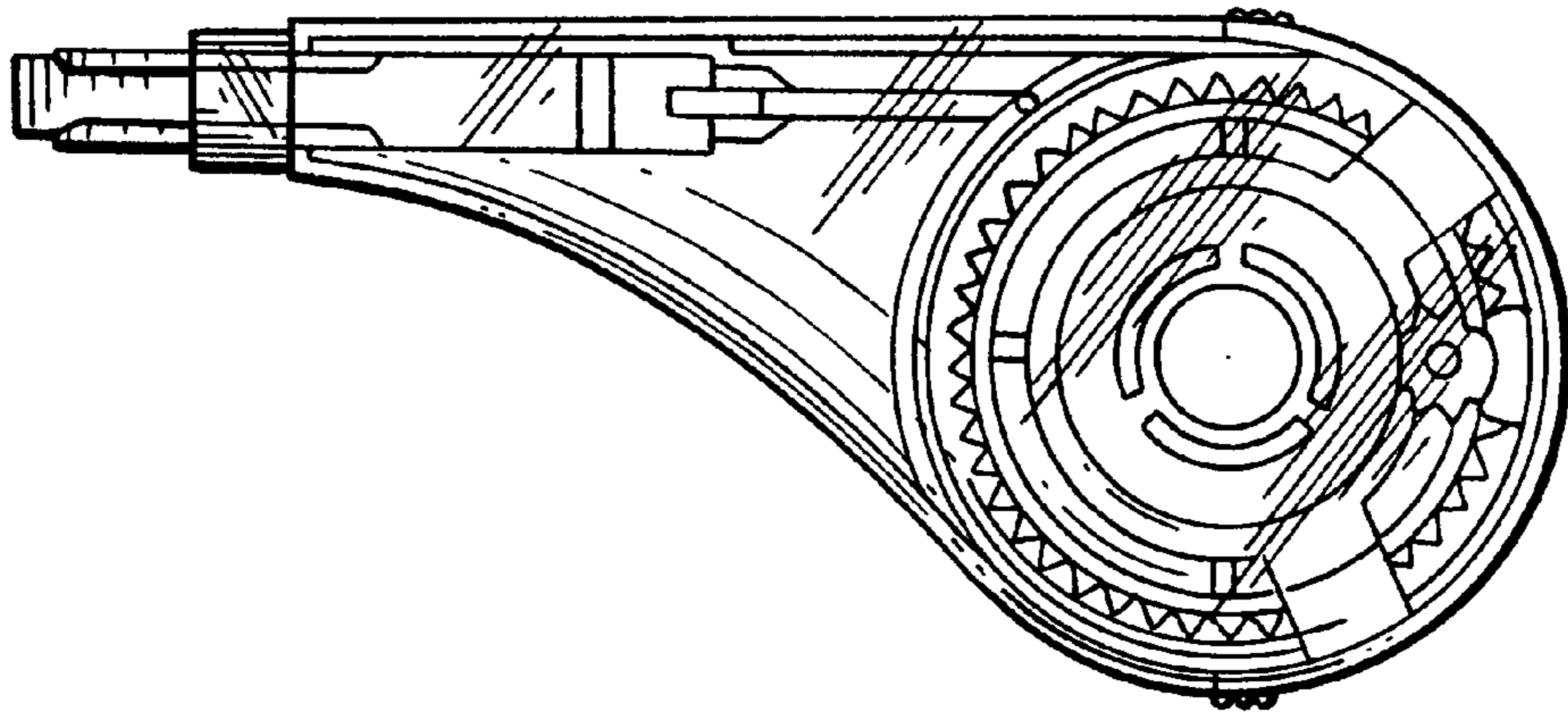


FIG. 2

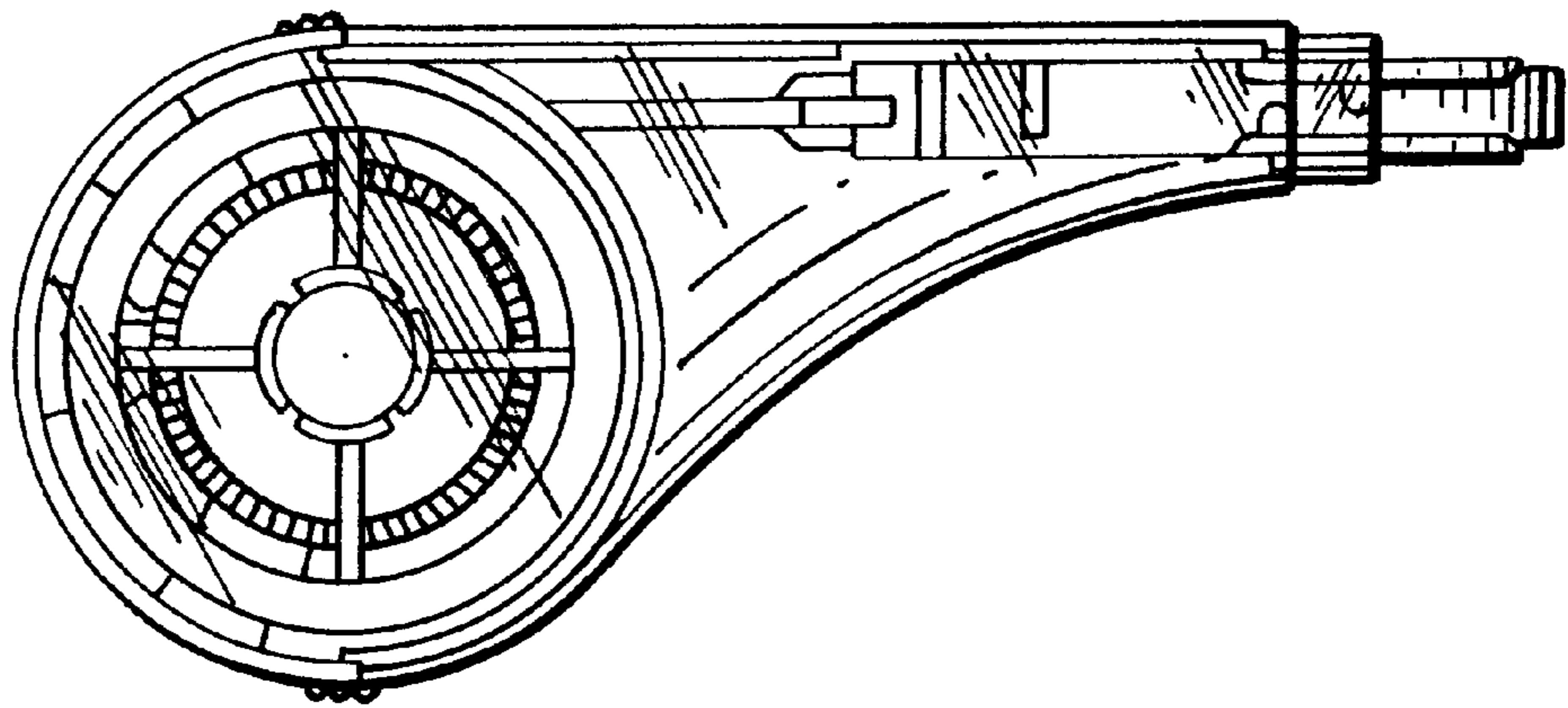


FIG. 3

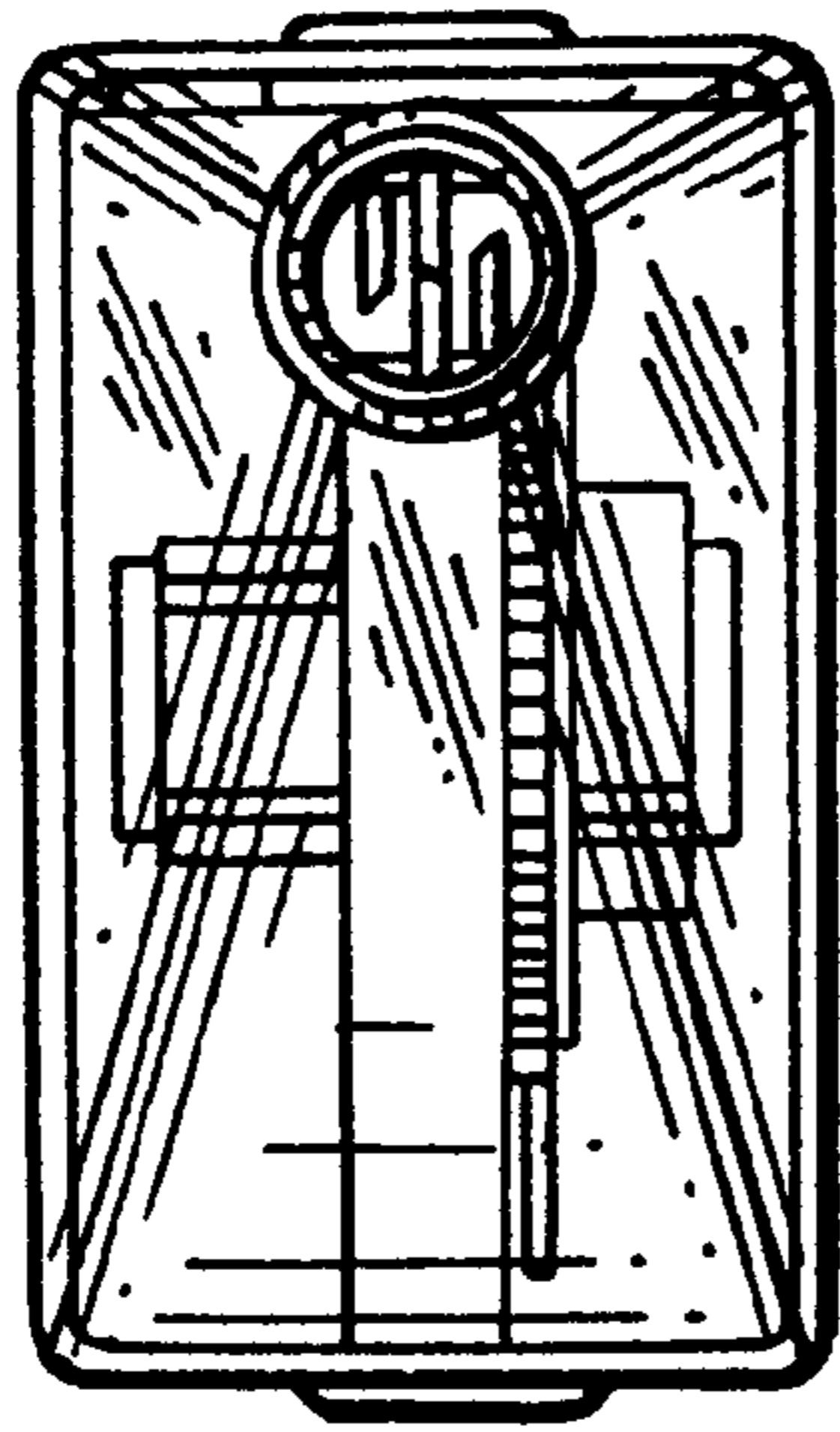


FIG. 4

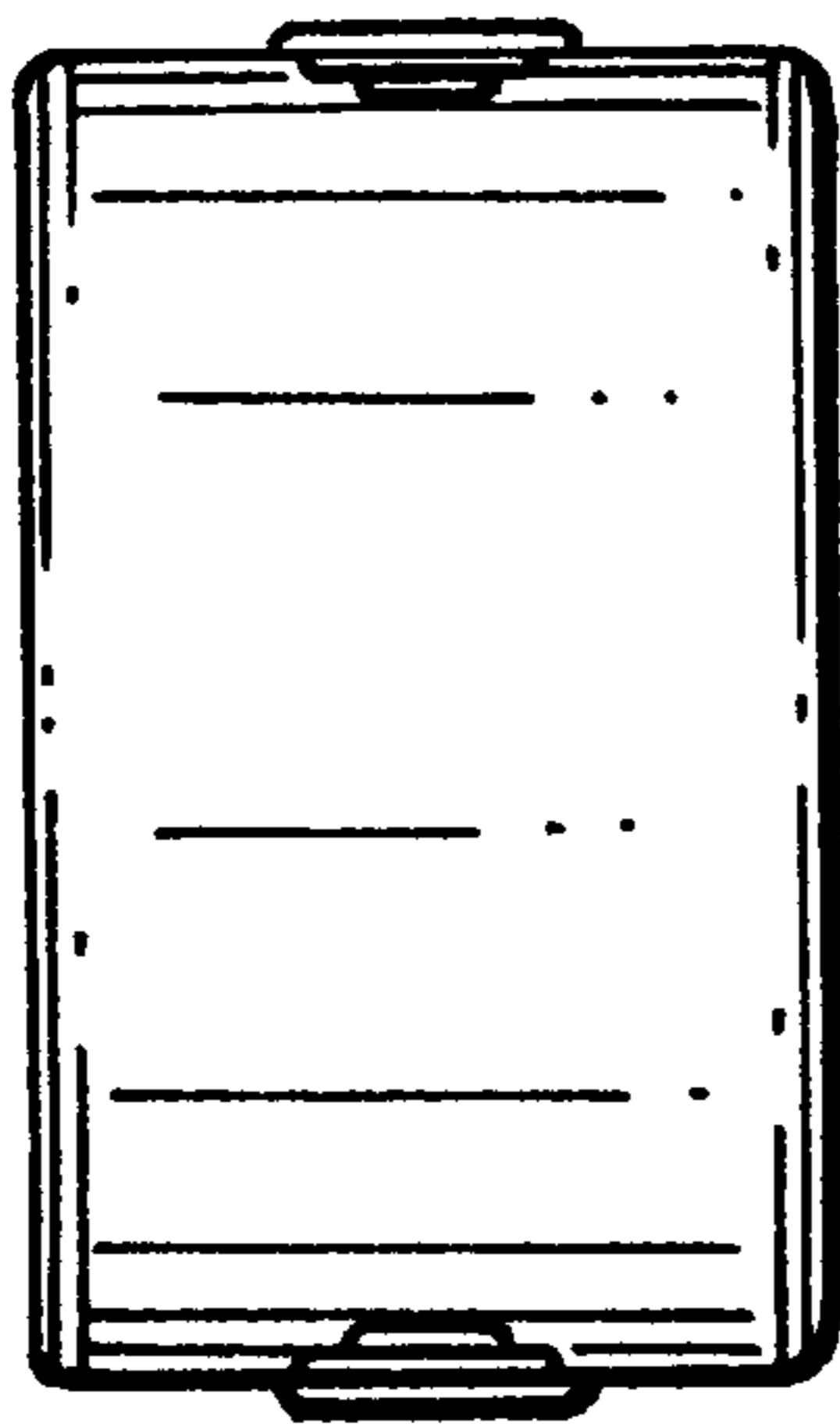


FIG. 5

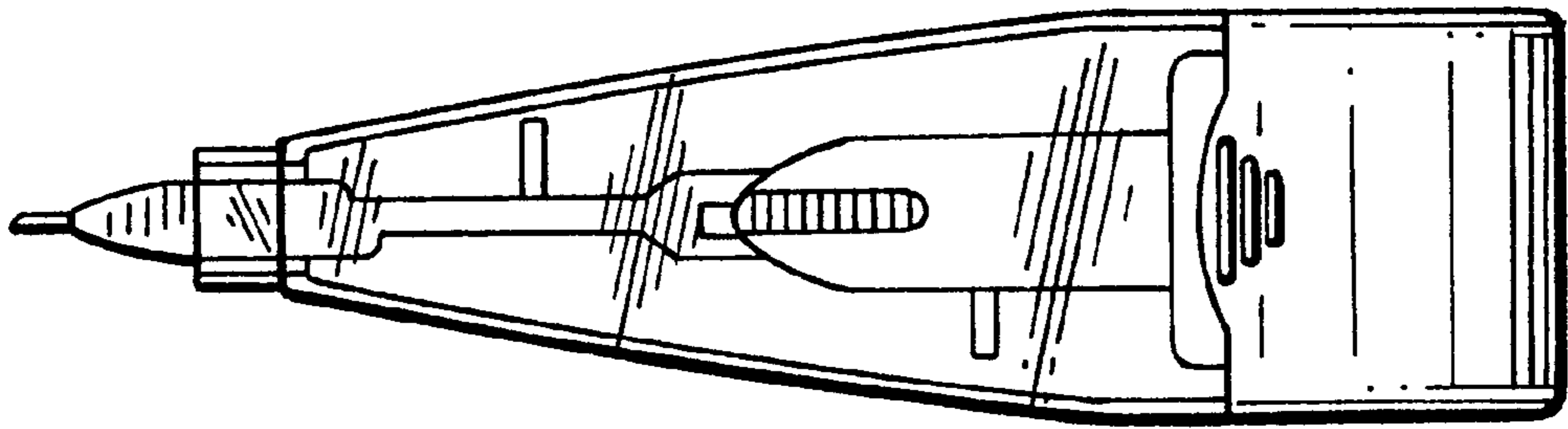


FIG. 6

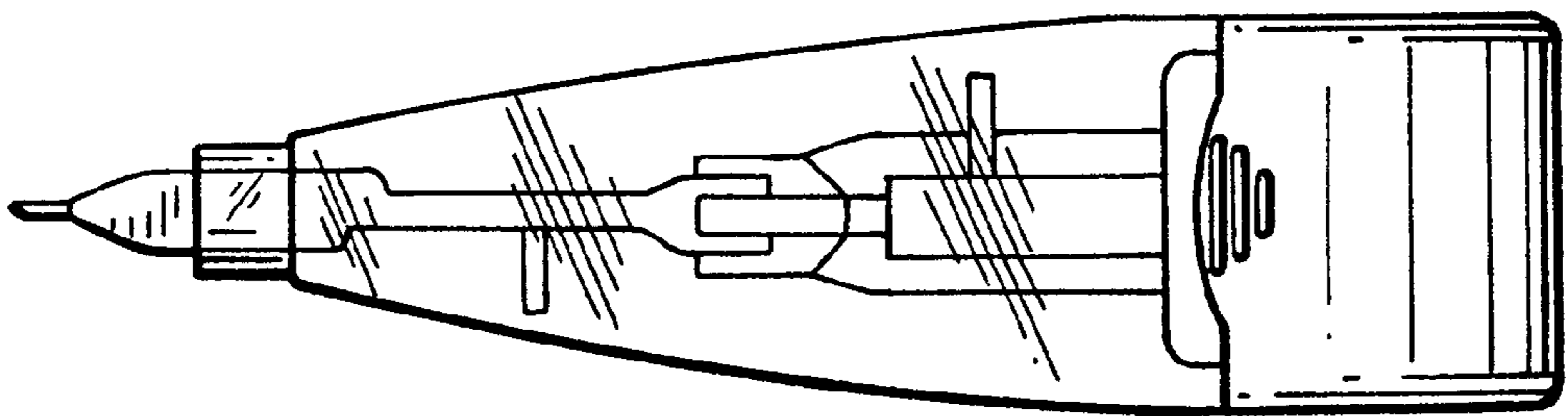


FIG. 7

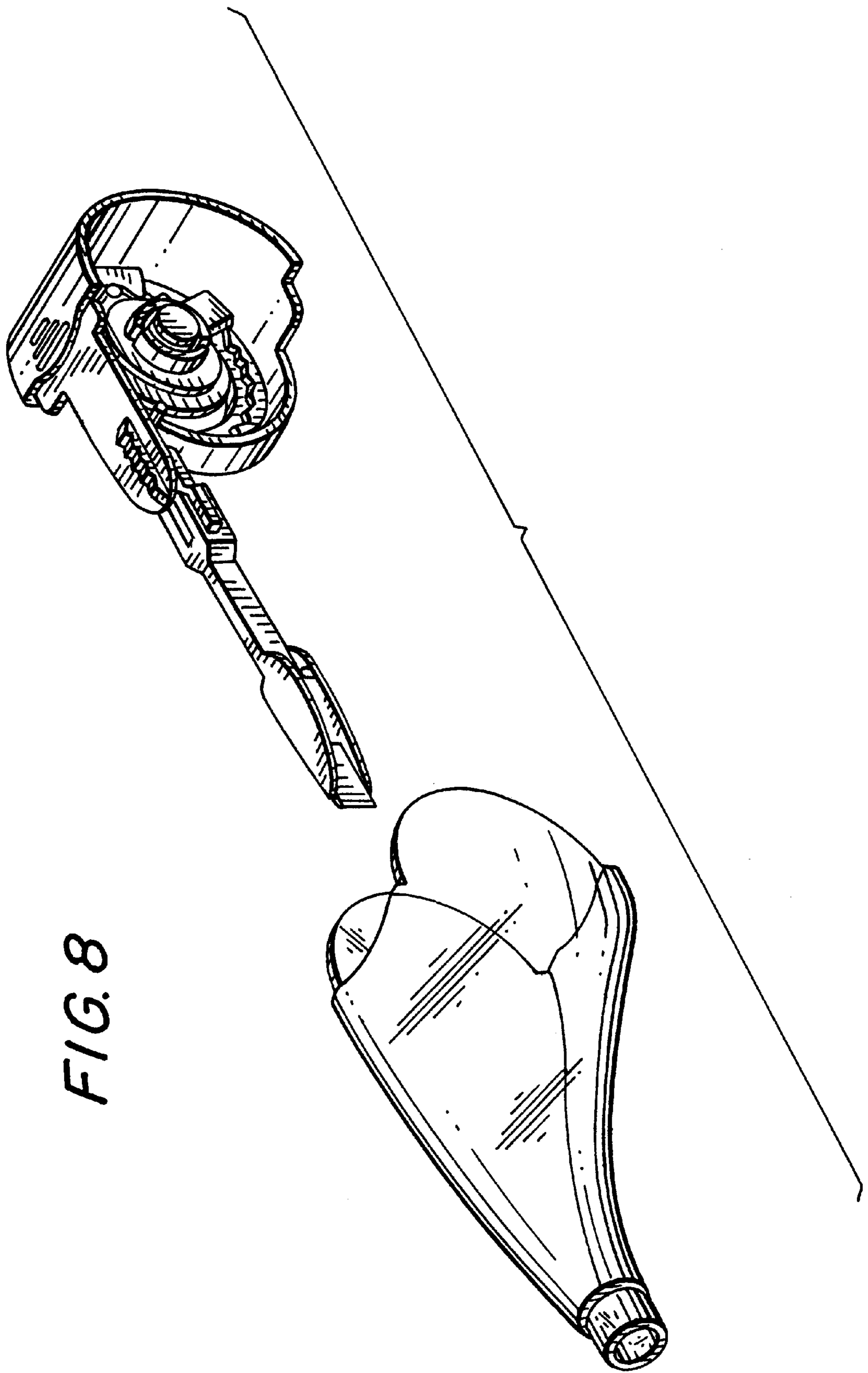


FIG. 8