



US00D424103S

# United States Patent [19]

[11] **Patent Number: Des. 424,103**

**Eckard et al.**

[45] **Date of Patent: \*\* May 2, 2000**

[54] **INKJET PRINthead**

[75] Inventors: **B. Michael Eckard**, Cardiff, Calif.;  
**James P. Kearns**, Corvallis, Oreg.;  
**Jeffrey D. Langford**, Lebanon, Oreg.;  
**Mark Hauck**, Corvallis, Oreg.

[73] Assignee: **Hewlett-Packard Company**, Palo Alto, Calif.

[\*\*] Term: **14 Years**

[21] Appl. No.: **29/100,784**

[22] Filed: **Feb. 18, 1999**

[51] **LOC (7) Cl.** ..... **18-02**

[52] **U.S. Cl.** ..... **D18/56**

[58] **Field of Search** ..... D18/56; 347/86,  
347/87; 400/207

5,408,256	4/1995	Keen et al. ....	347/87
5,413,421	5/1995	Okamoto .....	D18/56
5,526,030	6/1996	Baldwin et al. ....	347/87
5,560,720	10/1996	Suzuki et al. ....	347/86
5,620,268	4/1997	Yamaguchi et al. ....	400/613
5,653,542	8/1997	Sugimoto et al. ....	400/207
5,745,138	4/1998	Ostermeier .....	347/86
5,745,139	4/1998	Sasaki .....	347/86
5,764,259	6/1998	Nakajima .....	347/86
5,872,584	2/1999	Hauck et al. ....	347/86
5,886,720	3/1999	Sasaki .....	347/86
5,949,461	9/1999	Jones et al. ....	347/87

*Primary Examiner*—Cathy Anne MacCormac  
*Attorney, Agent, or Firm*—David S. Romney

[57] **CLAIM**

The ornamental design for an inkjet printhead, as shown and described.

**DESCRIPTION**

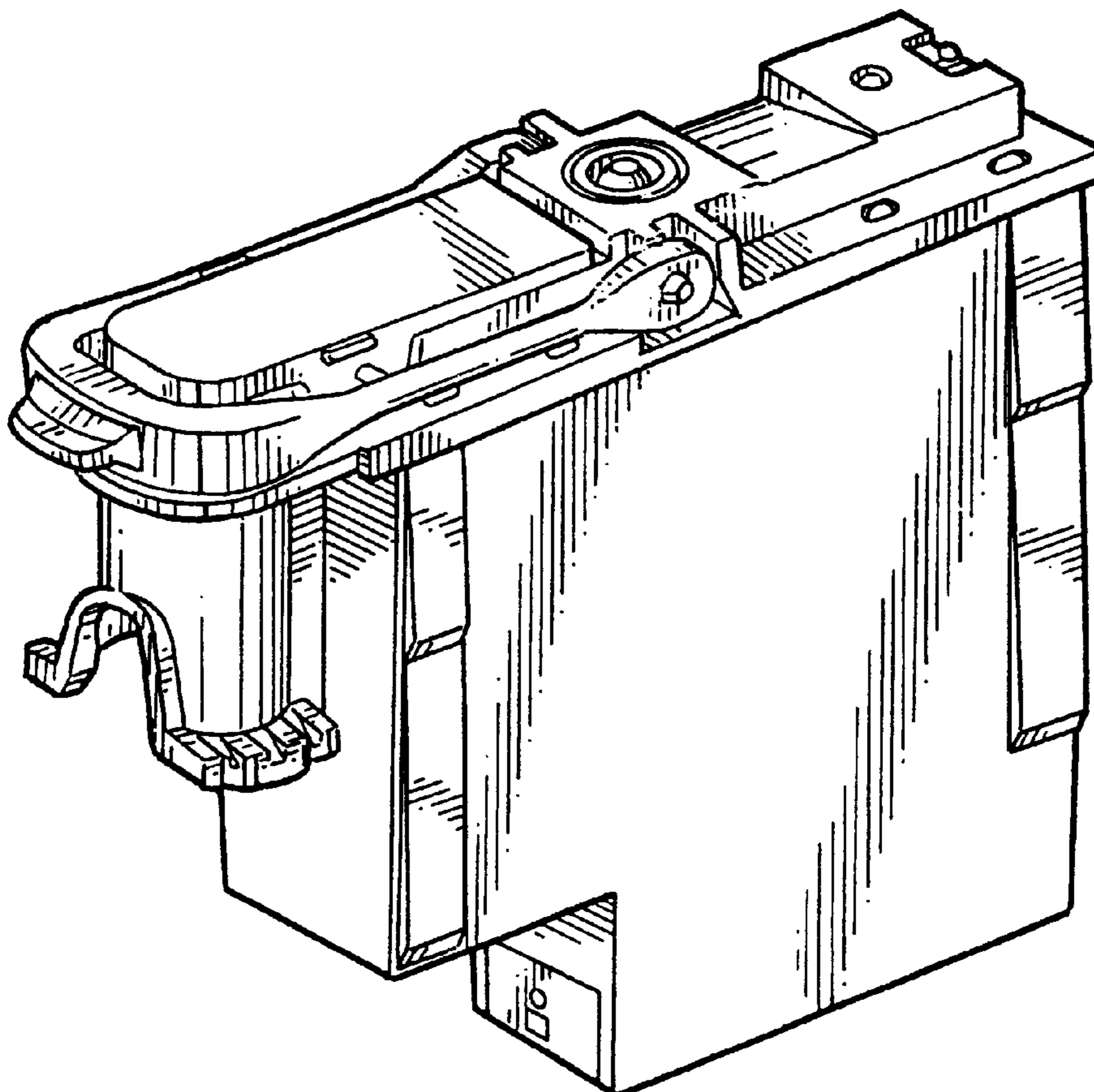
FIG. 1 is a perspective view of an inkjet printhead showing our new design.  
FIG. 2 is a right side elevational view thereof.  
FIG. 3 is a front elevational view thereof.  
FIG. 4 is a top plan view thereof.  
FIG. 5 is a bottom plan view thereof.  
FIG. 6 is a left side elevational view thereof; and,  
FIG. 7 is a rear elevational view thereof.

[56] **References Cited**

**U.S. PATENT DOCUMENTS**

D. 354,982	1/1995	Akahane et al. ....	D18/56
D. 373,381	9/1996	Altendorf et al. ....	D18/56
D. 375,523	11/1996	Murray .....	D18/56
D. 390,259	2/1998	Inoue et al. ....	D18/56
D. 400,573	11/1998	Inoue et al. ....	D18/56
D. 400,574	11/1998	Inoue et al. ....	D18/56
D. 404,067	1/1999	Tashiro et al. ....	D18/56
D. 407,746	4/1999	Fujii et al. ....	D18/56

**1 Claim, 3 Drawing Sheets**



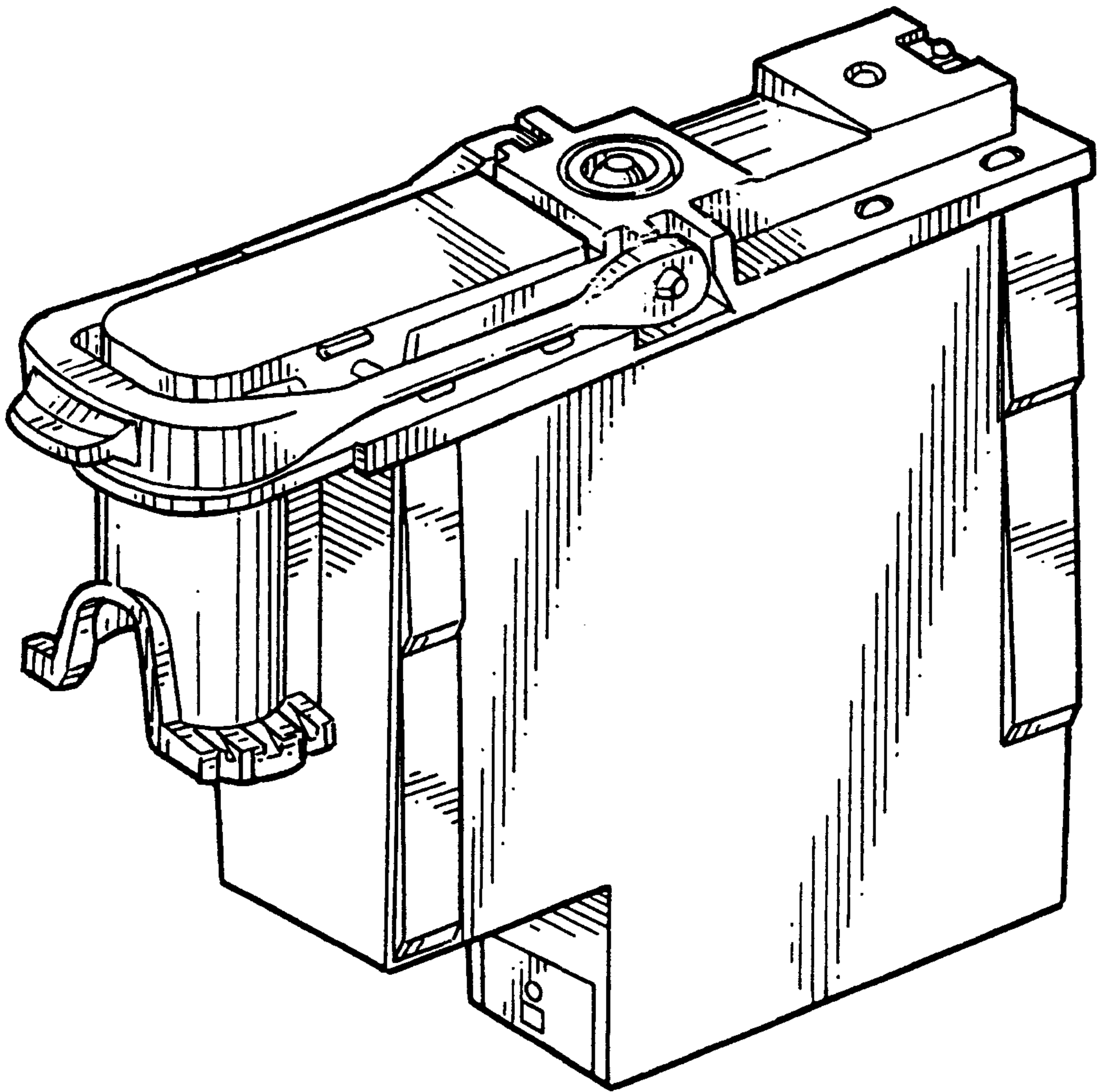


FIG. 1

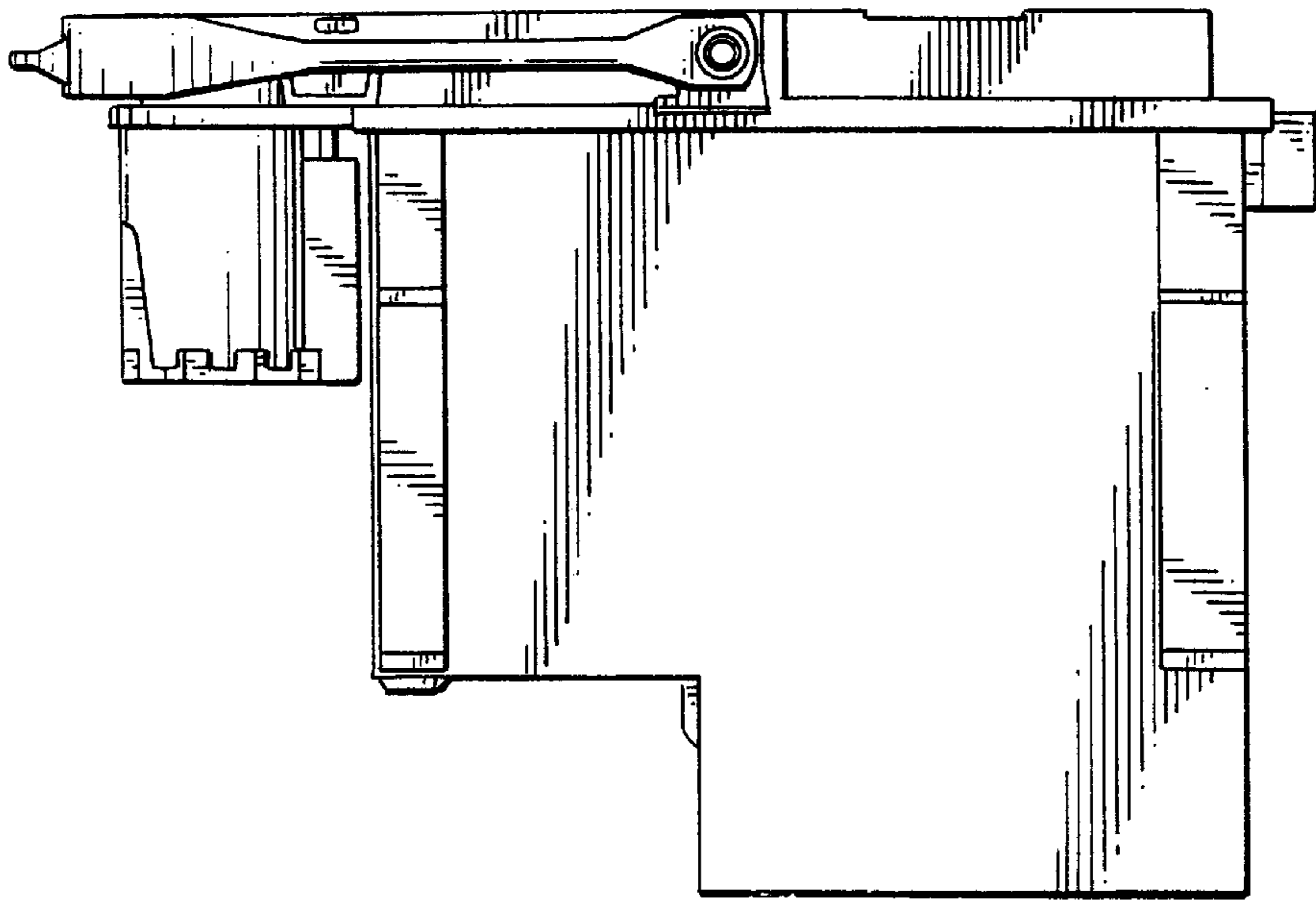


FIG. 2

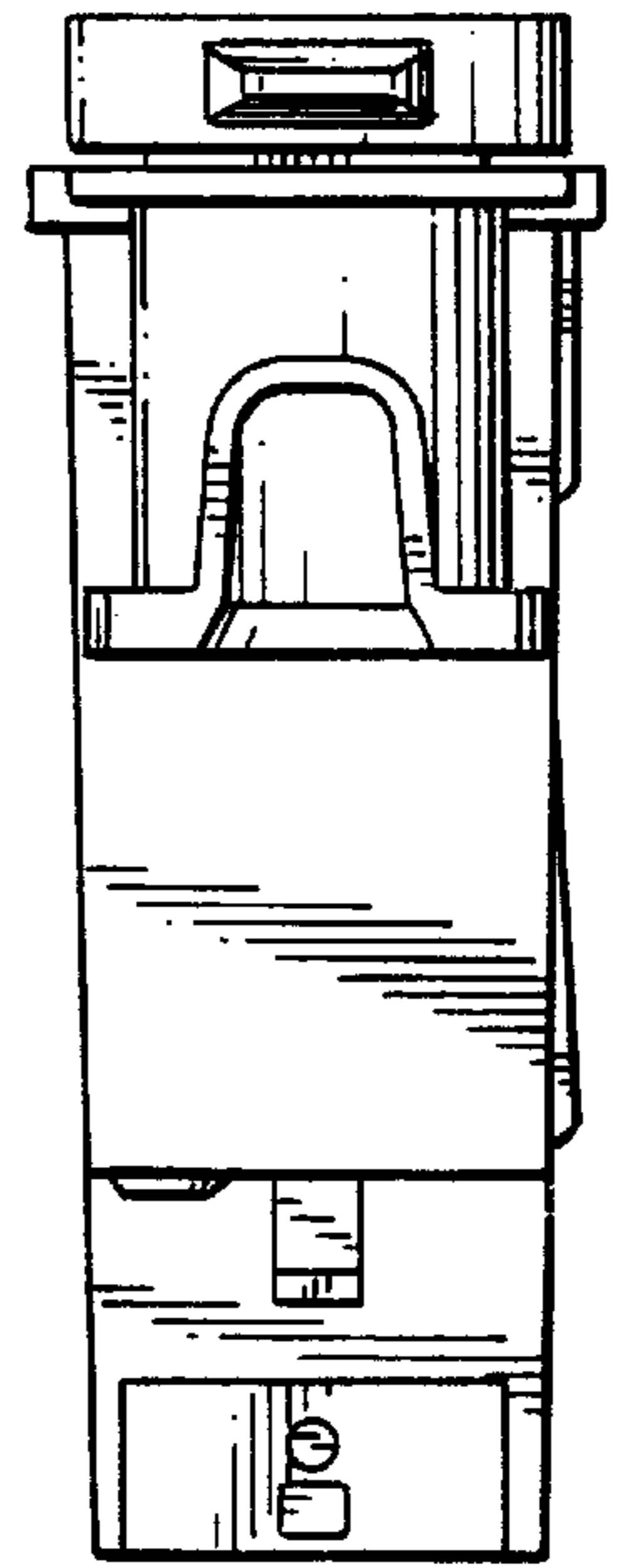


FIG. 3

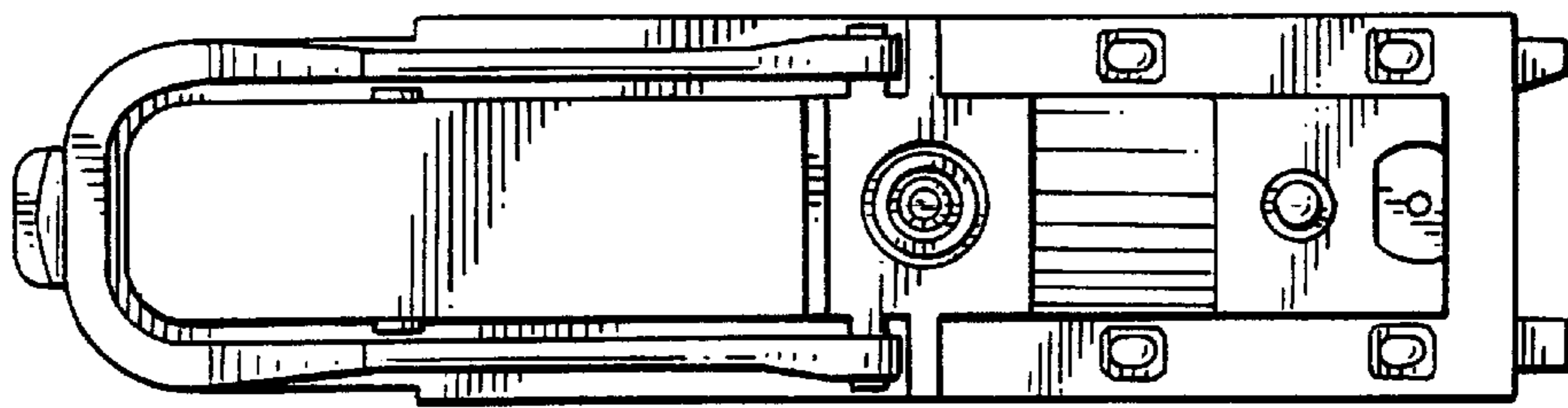


FIG. 4

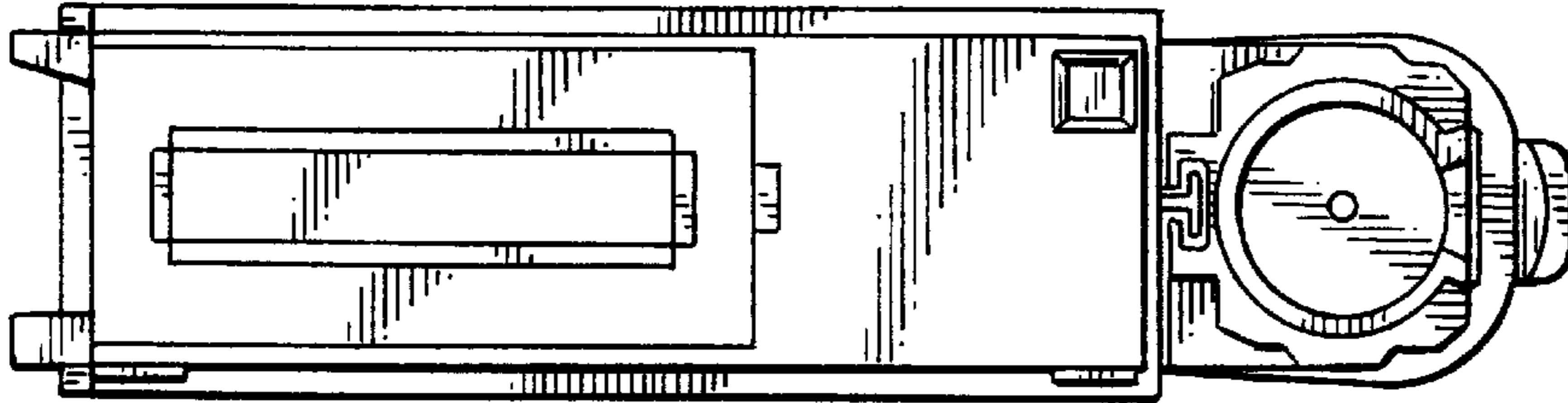


FIG. 5

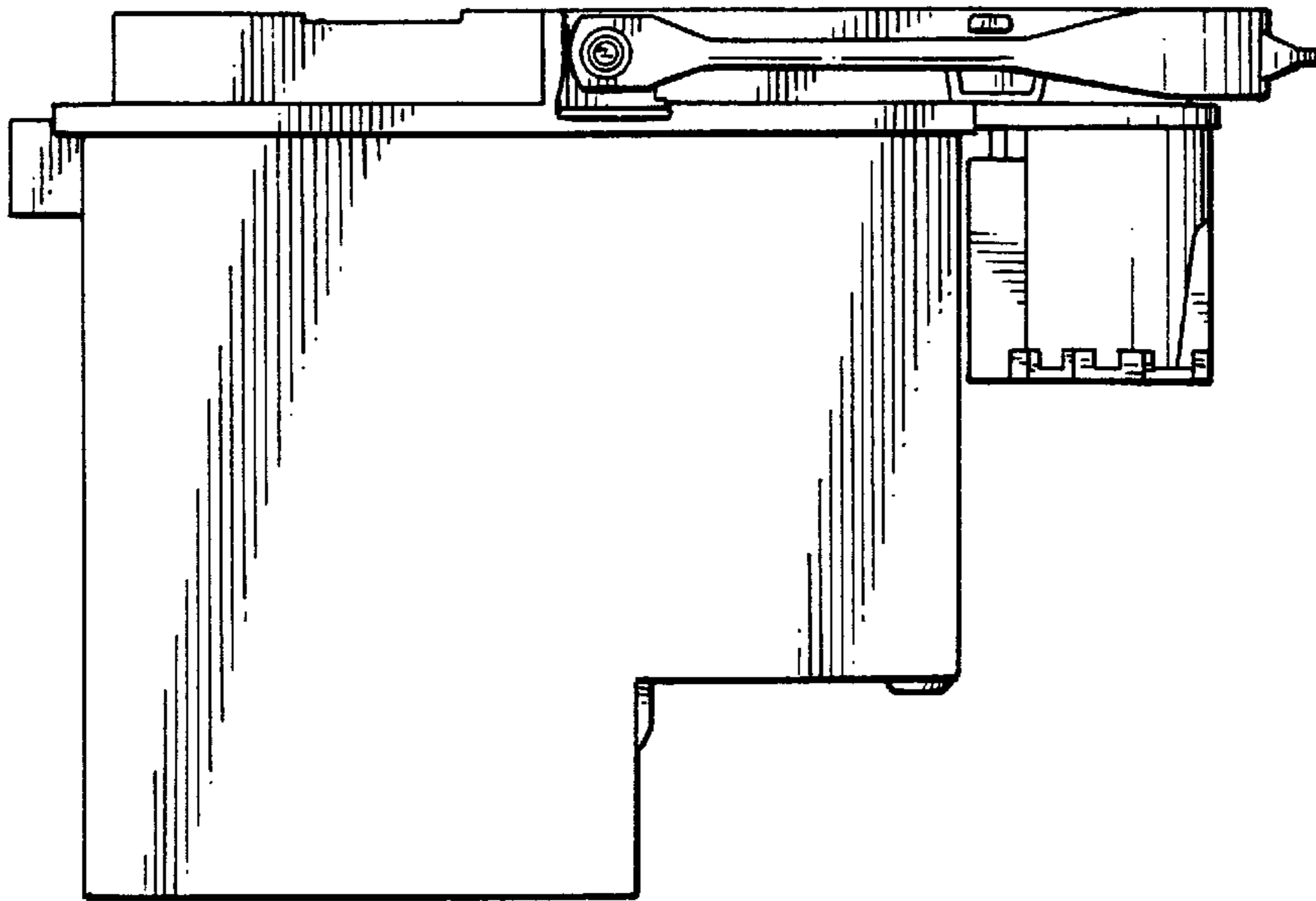


FIG. 6

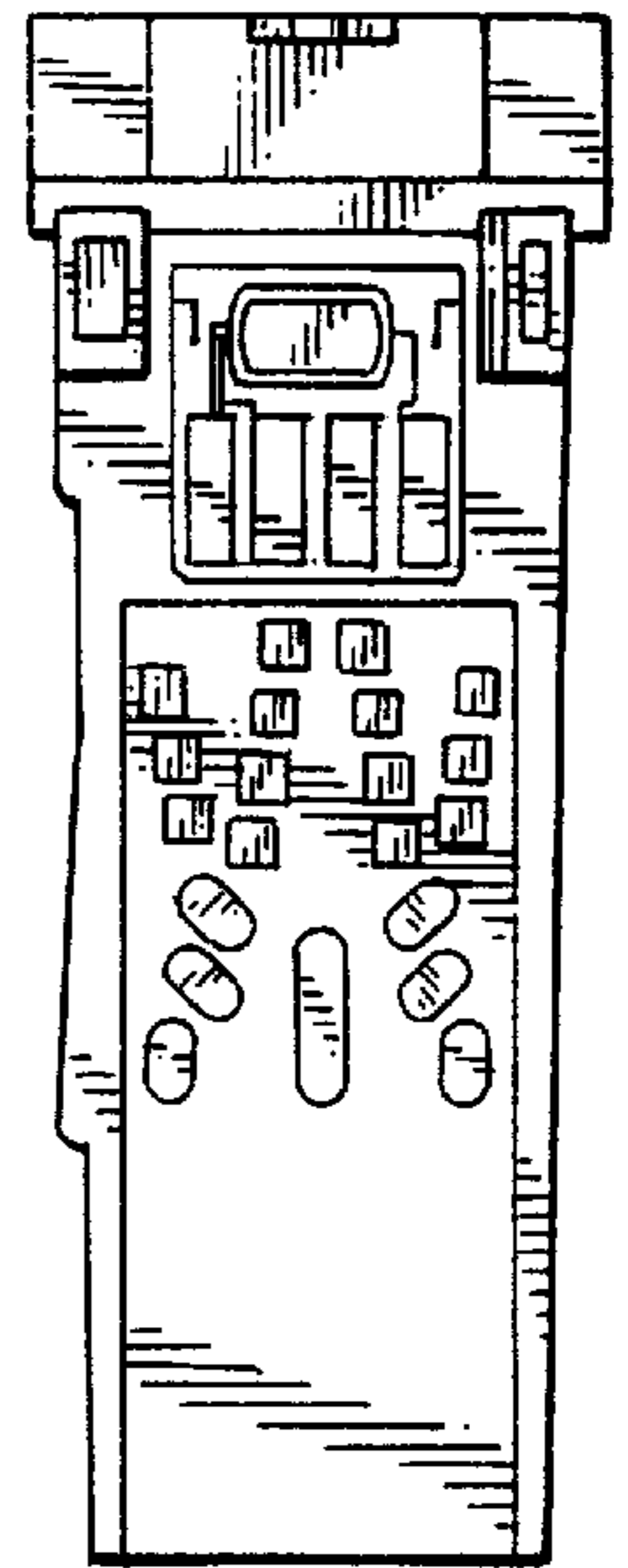


FIG. 7