



US00D424102S

United States Patent [19] Igarashi

[11] Patent Number: Des. 424,102

[45] Date of Patent: ** May 2, 2000

[54] COMPUTER PRINTER

[75] Inventor: Masaaki Igarashi, Tokyo, Japan

[73] Assignee: Canon Kabushiki Kaisha, Tokyo, Japan

[**] Term: 14 Years

[21] Appl. No.: 29/098,864

[22] Filed: Jan. 7, 1999

[30] Foreign Application Priority Data

Jul. 15, 1998 [JP] Japan 10-020397

[51] LOC (7) Cl. 14-02

[52] U.S. Cl. D18/54

[58] Field of Search D18/50, 54-55,
D18/36-37; 400/691-694, 613, 613.1-613.4,
690.1-690.4

[56] References Cited

U.S. PATENT DOCUMENTS

D. 343,637	1/1994	Umino et al.	D18/55
D. 344,754	3/1994	Parsey	D18/55
D. 349,922	8/1994	Tashiro	D18/50
D. 366,900	2/1996	Pangburn et al.	D18/50
D. 369,180	4/1996	Fukaya et al.	D18/50
D. 370,026	5/1996	McGlashan	D18/55
D. 371,158	6/1996	Yoshida	D18/50

D. 373,595	9/1996	Askren et al.	D18/50
D. 378,100	2/1997	Sekine	D18/54
D. 382,256	8/1997	Lin	D18/50
D. 384,969	10/1997	Inoue et al.	D18/54
D. 388,405	12/1997	Lin	D18/50
D. 390,594	2/1998	Sekine	D18/54
D. 390,595	2/1998	Sekine	D18/54
D. 390,597	2/1998	Igarashi et al.	D18/55
D. 401,965	12/1998	Pangburn	D18/55
D. 411,228	6/1999	Kobayashi et al.	D18/50
D. 414,508	9/1999	Pangburn	D18/55
D. 414,799	10/1999	Cook et al.	D18/55

Primary Examiner—Cathy Anne MacCormac
Attorney, Agent, or Firm—Fitzpatrick, Cella, Harper & Scinto

[57] CLAIM

The ornamental design for a computer printer, as shown and described.

DESCRIPTION

FIG. 1 is a front view of a computer printer showing my new design;

FIG. 2 is a rear view thereof;

FIG. 3 is a top plan view thereof;

FIG. 4 is a bottom plan view thereof;

FIG. 5 is a left side view thereof;

FIG. 6 is a right side view thereof; and,

FIG. 7 is a perspective view thereof.

1 Claim, 4 Drawing Sheets

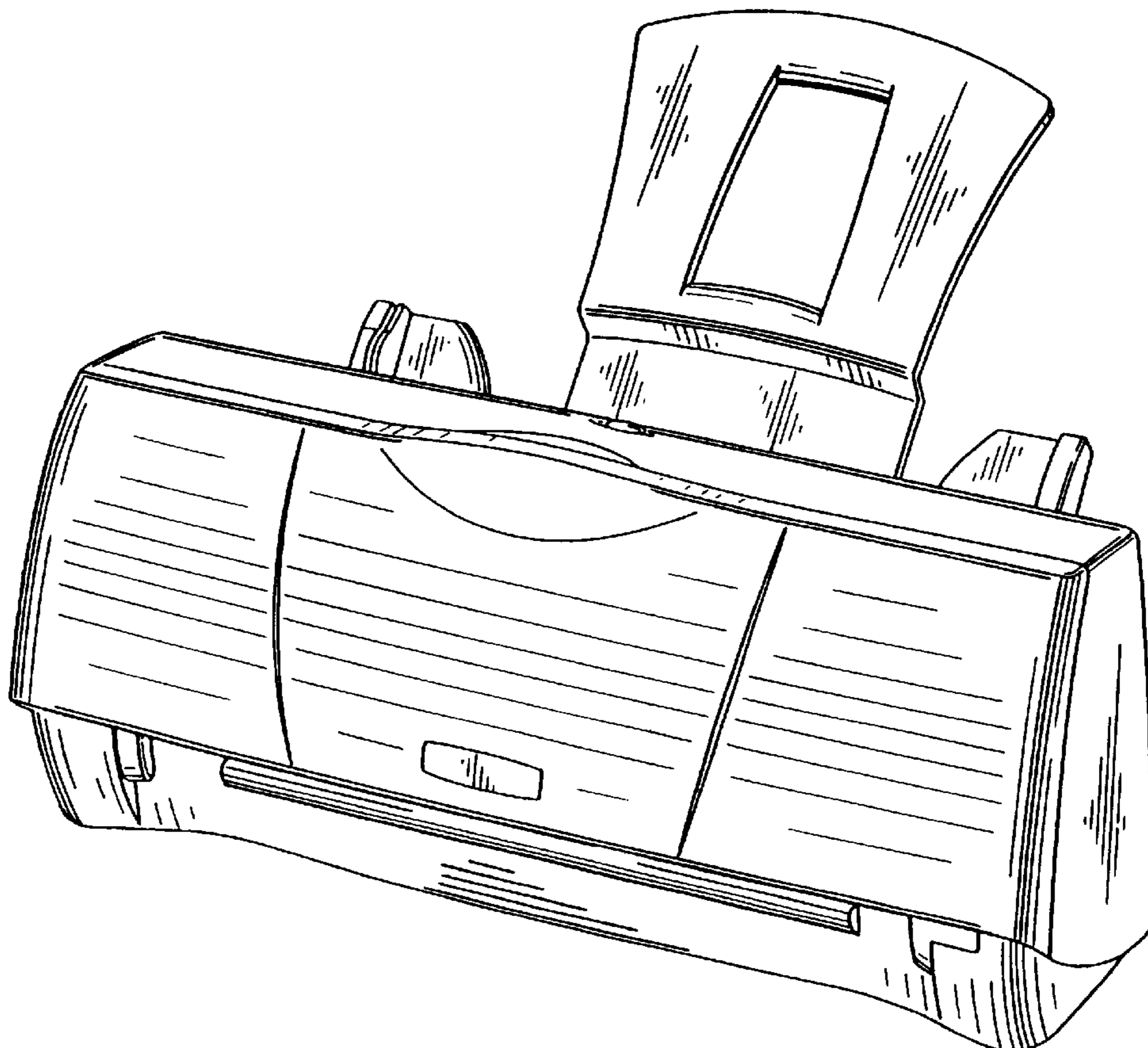


FIG. 1

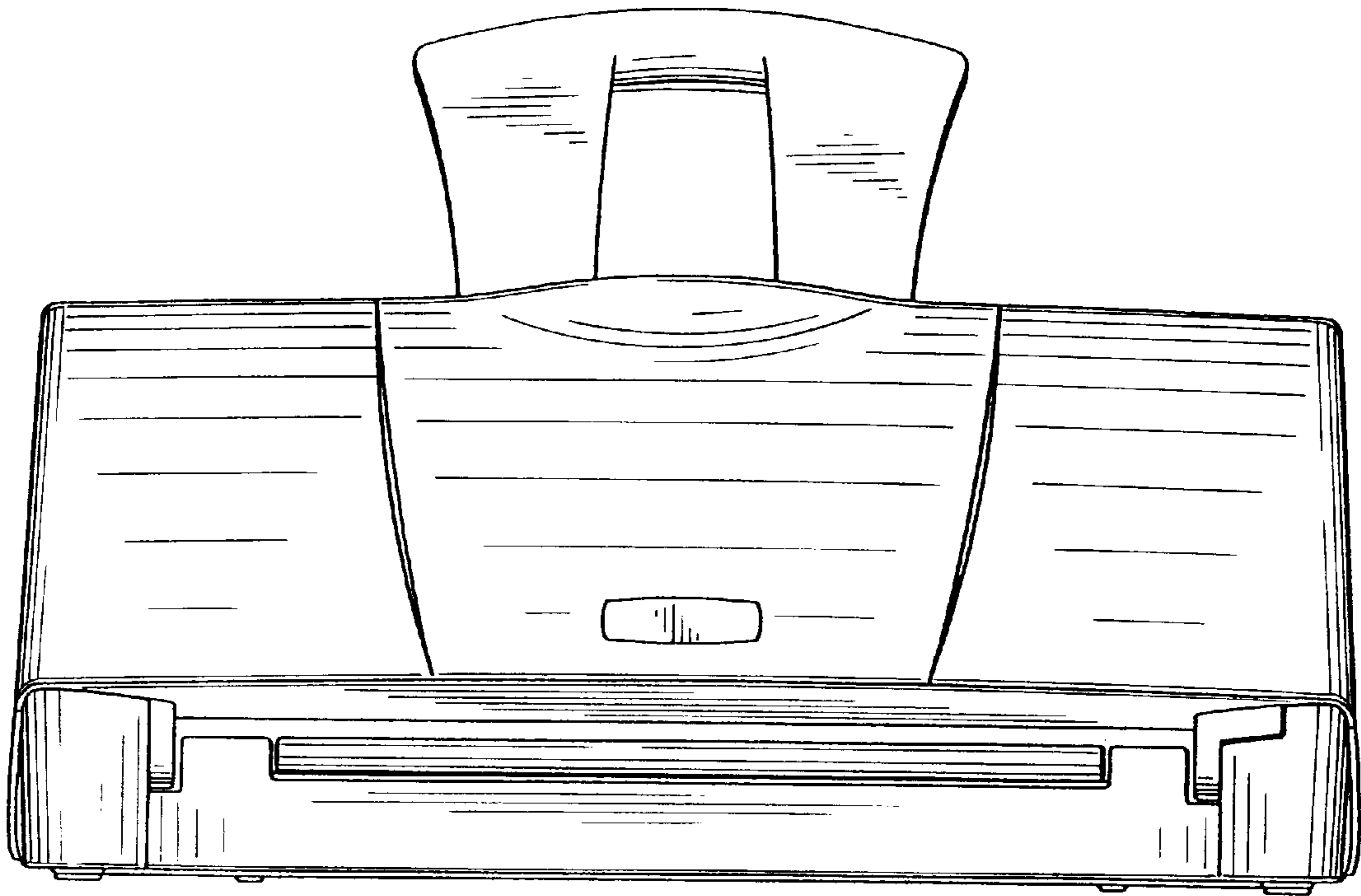


FIG. 2

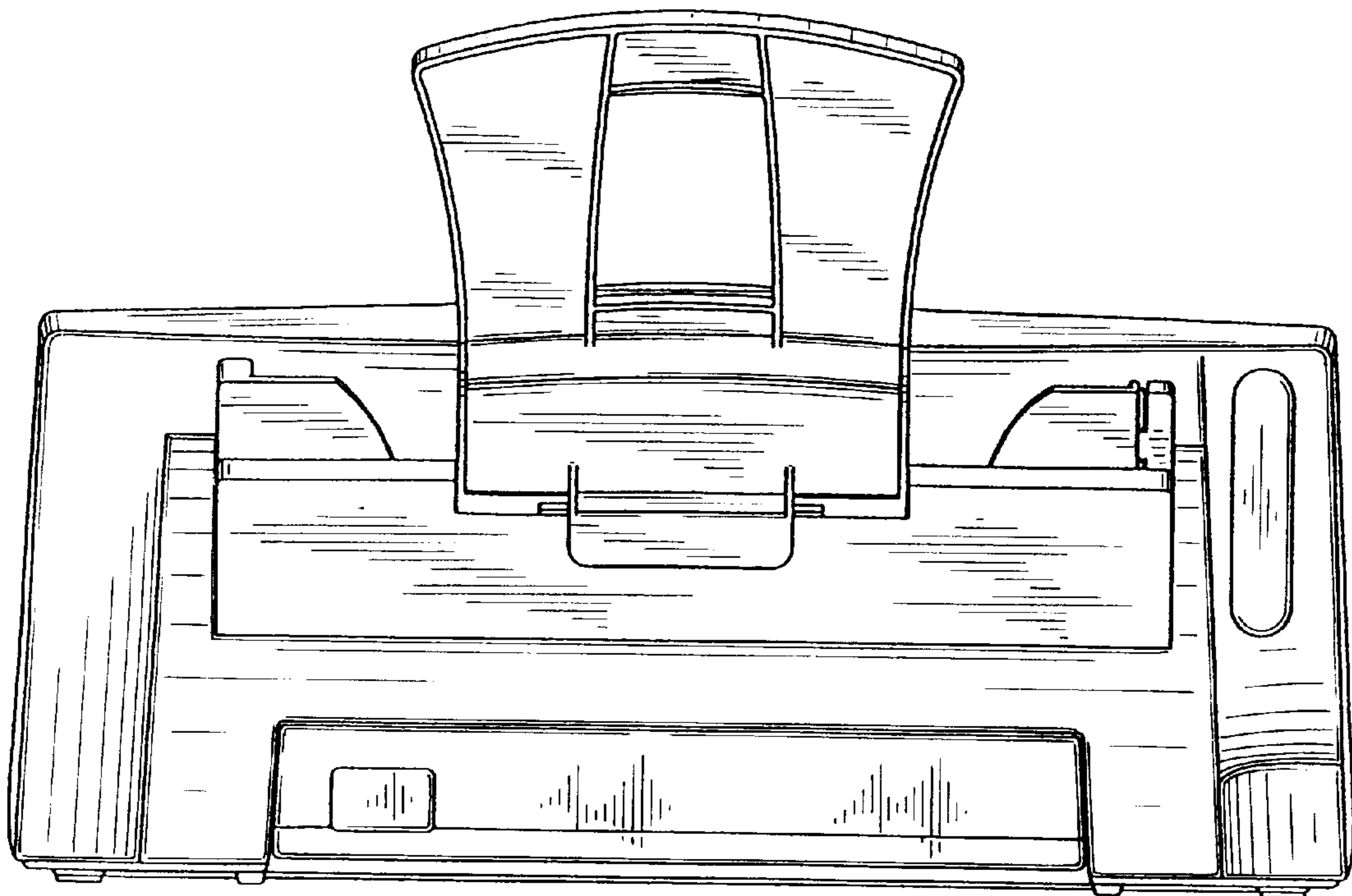


FIG. 3

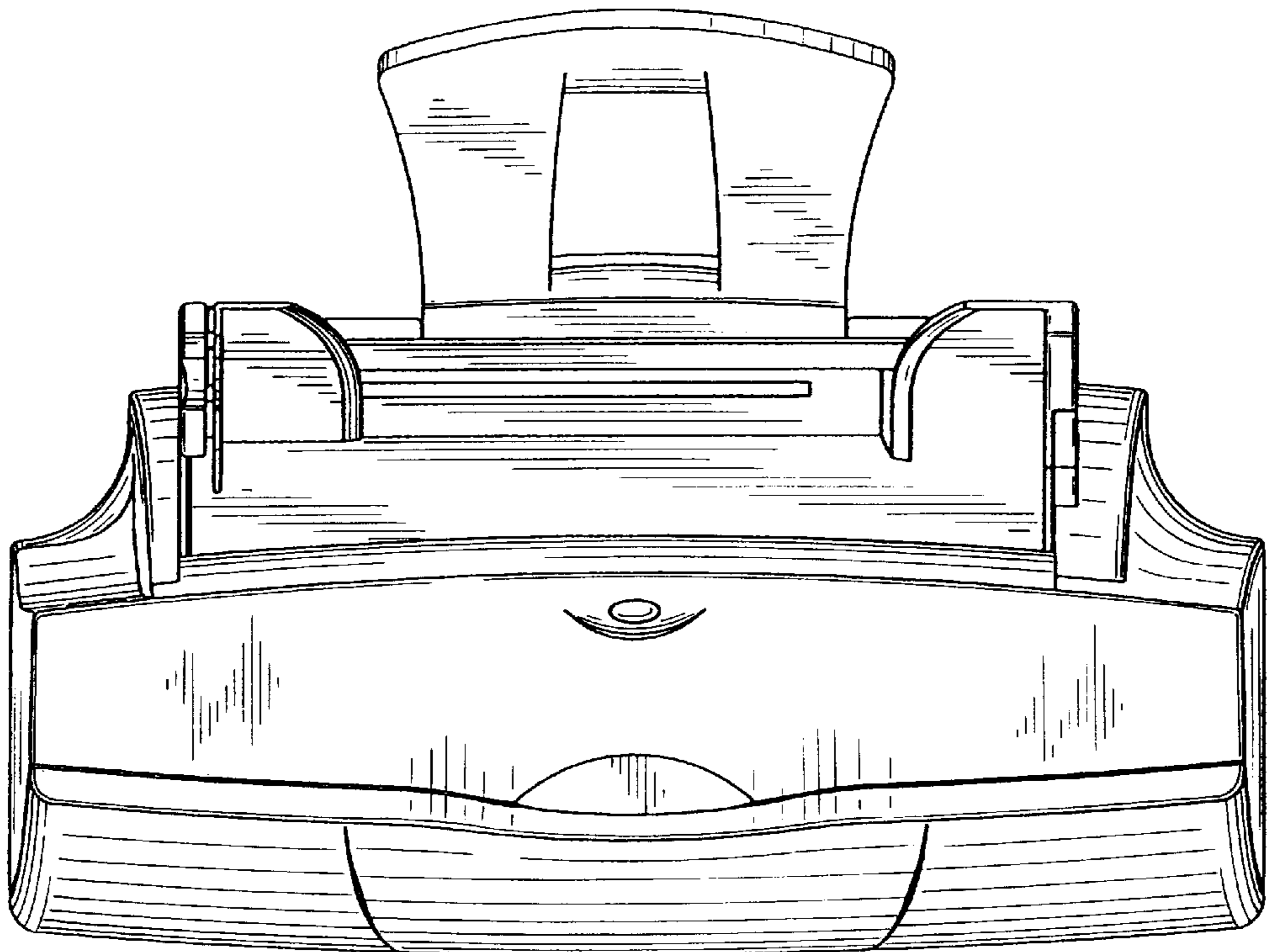


FIG. 4

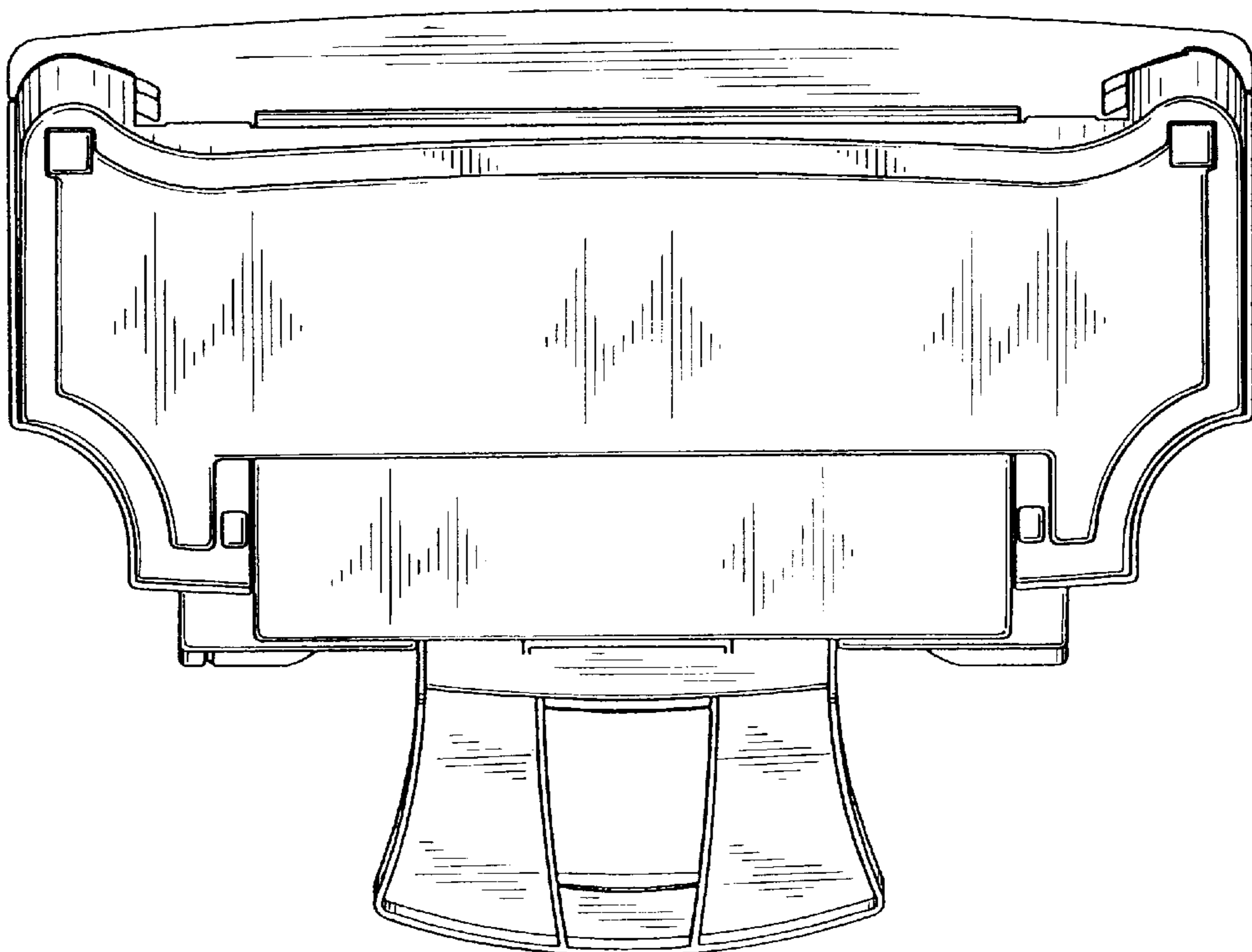


FIG. 5

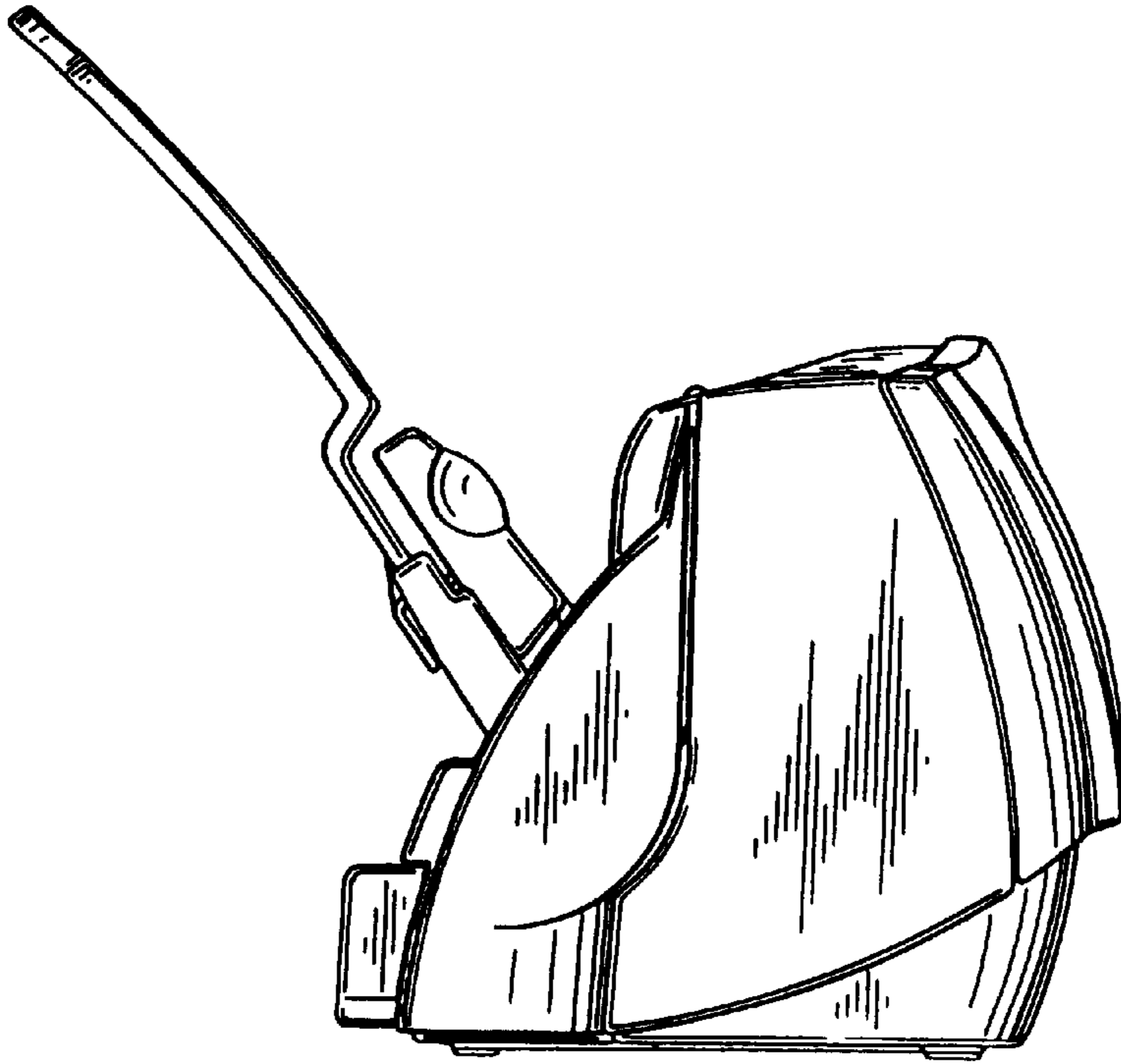


FIG. 6

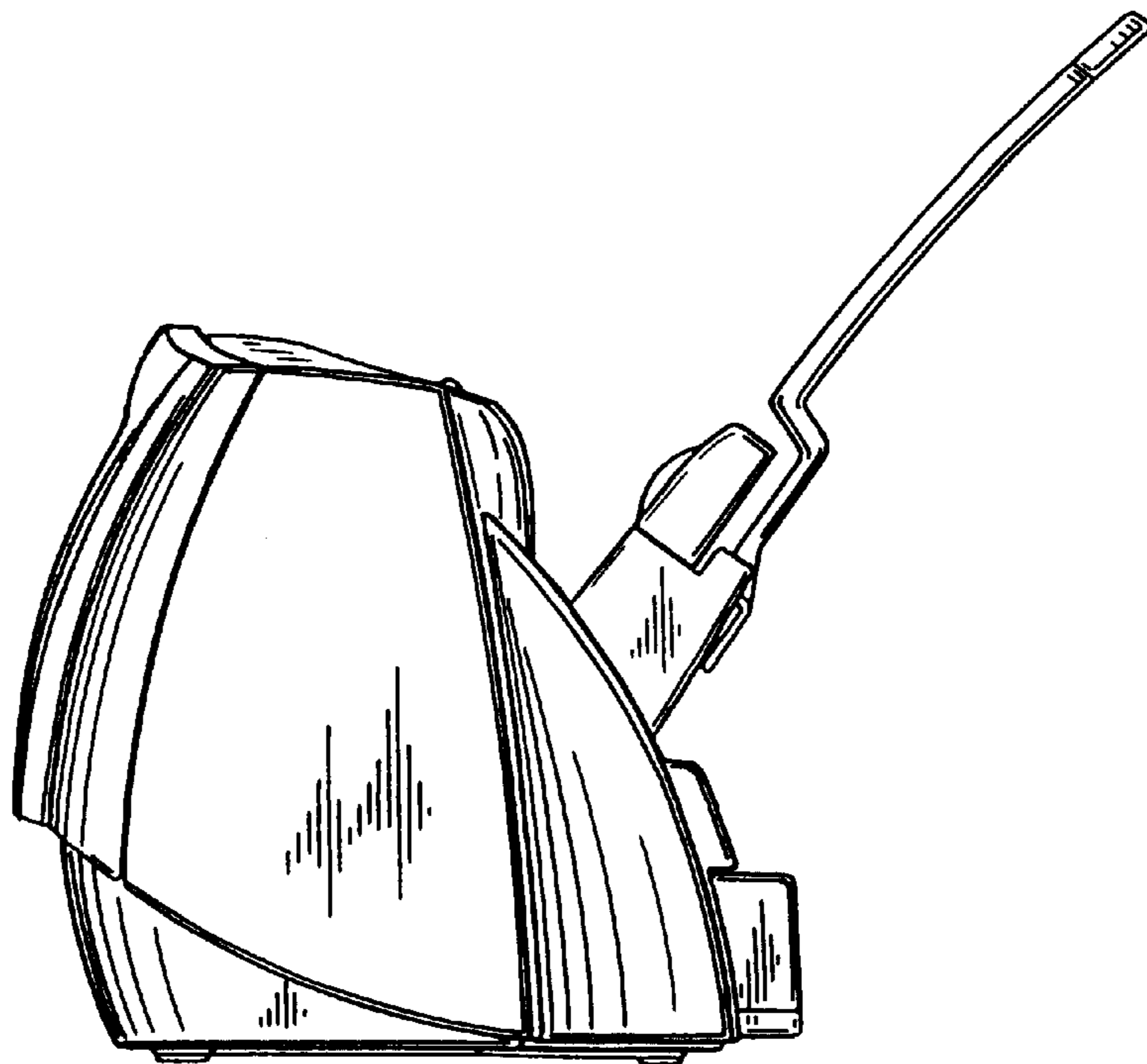


FIG. 7

