



US00D424091S

United States Patent [19] Oh

[11] Patent Number: **Des. 424,091**

[45] Date of Patent: **** May 2, 2000**

[54] VIDEO PRESENTER

[75] Inventor: **Sang-Do Oh**, Seoul, Rep. of Korea

[73] Assignee: **Samsung Aerospace Industries, Ltd.**,
Rep. of Korea

[**] Term: **14 Years**

[21] Appl. No.: **29/099,828**

[22] Filed: **Jan. 27, 1999**

[30] Foreign Application Priority Data

Jul. 29, 1998 [KR] Rep. of Korea 98-12817

[51] LOC (7) Cl. **16-02**

[52] U.S. Cl. **D16/232**

[58] Field of Search D14/100, 107;
D16/221, 225, 229, 232, 233, 234; 348/373-376;
353/66, 119, 122, DIG. 3, DIG. 4

[56] References Cited

U.S. PATENT DOCUMENTS

- D. 352,502 11/1994 Hasegawa D14/107
- D. 376,139 12/1996 Hasegawa D14/107
- D. 387,038 12/1997 Sakuta et al. D14/107
- D. 397,709 9/1998 Park et al. D16/232

- 5,396,281 3/1995 Maeda 348/141
- 5,796,495 8/1998 Miyata et al. 358/471
- 5,929,910 7/1999 Kim et al. 348/373

Primary Examiner—Adir Aronovich
Attorney, Agent, or Firm—Fish & Richardson P.C.

[57] CLAIM

The ornamental design for a video presenter, as shown and described.

DESCRIPTION

FIG. 1 is a front elevational view of the design for a video presenter;
 FIG. 2 is a rear elevational view of the design of FIG. 1;
 FIG. 3 is a top plan view of the design of FIG. 1;
 FIG. 4 is a bottom plan view of the design of FIG. 1;
 FIG. 5 is a left side elevational view of the design of FIG. 1;
 FIG. 6 is a right side elevational view of the design of FIG. 1;
 FIG. 7 is a top, front, right side perspective view of the design of FIG. 1; and,
 FIG. 8 is a perspective view of the design of FIG. 1 shown in a folded condition.

1 Claim, 8 Drawing Sheets

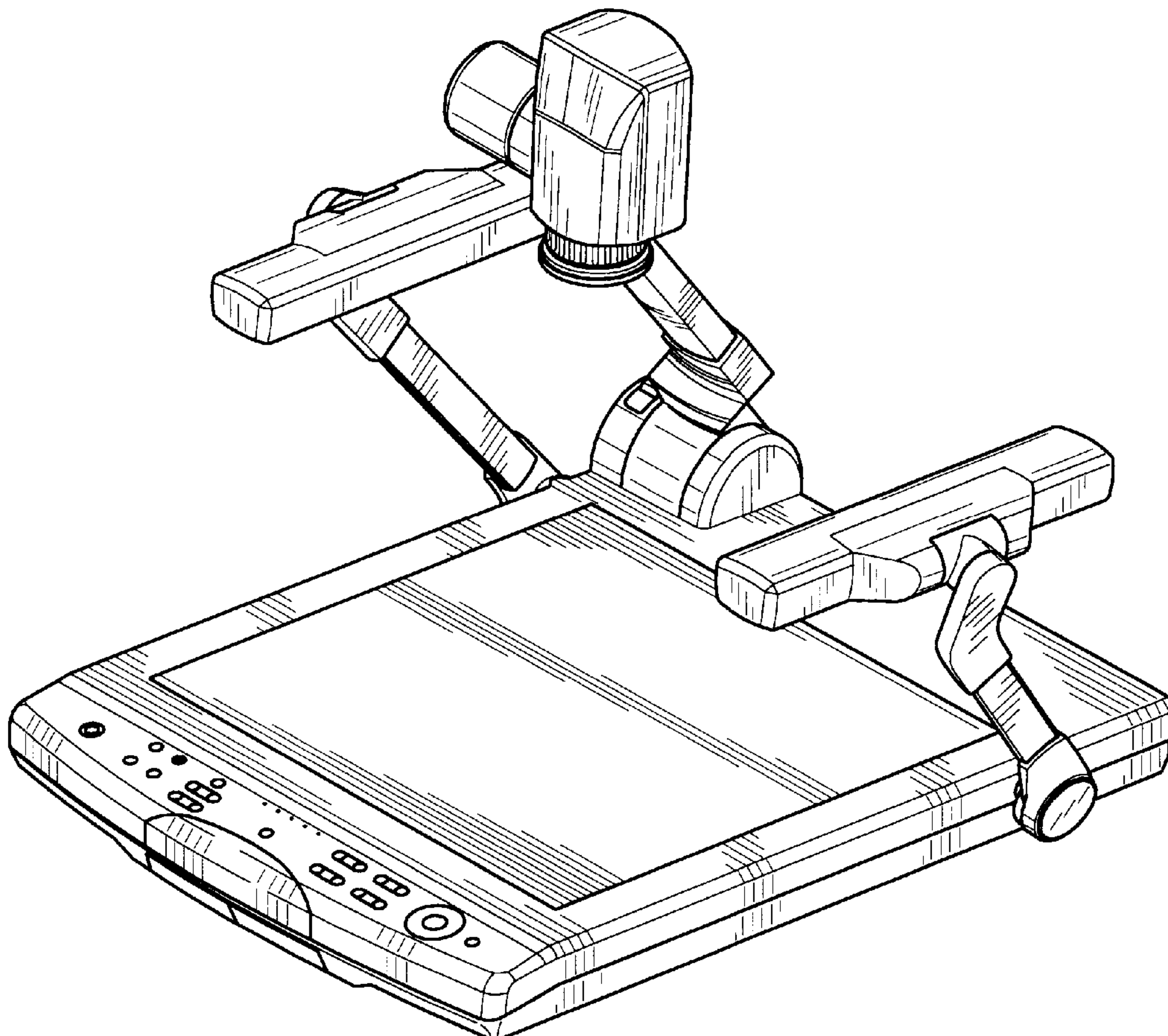


FIG. 1

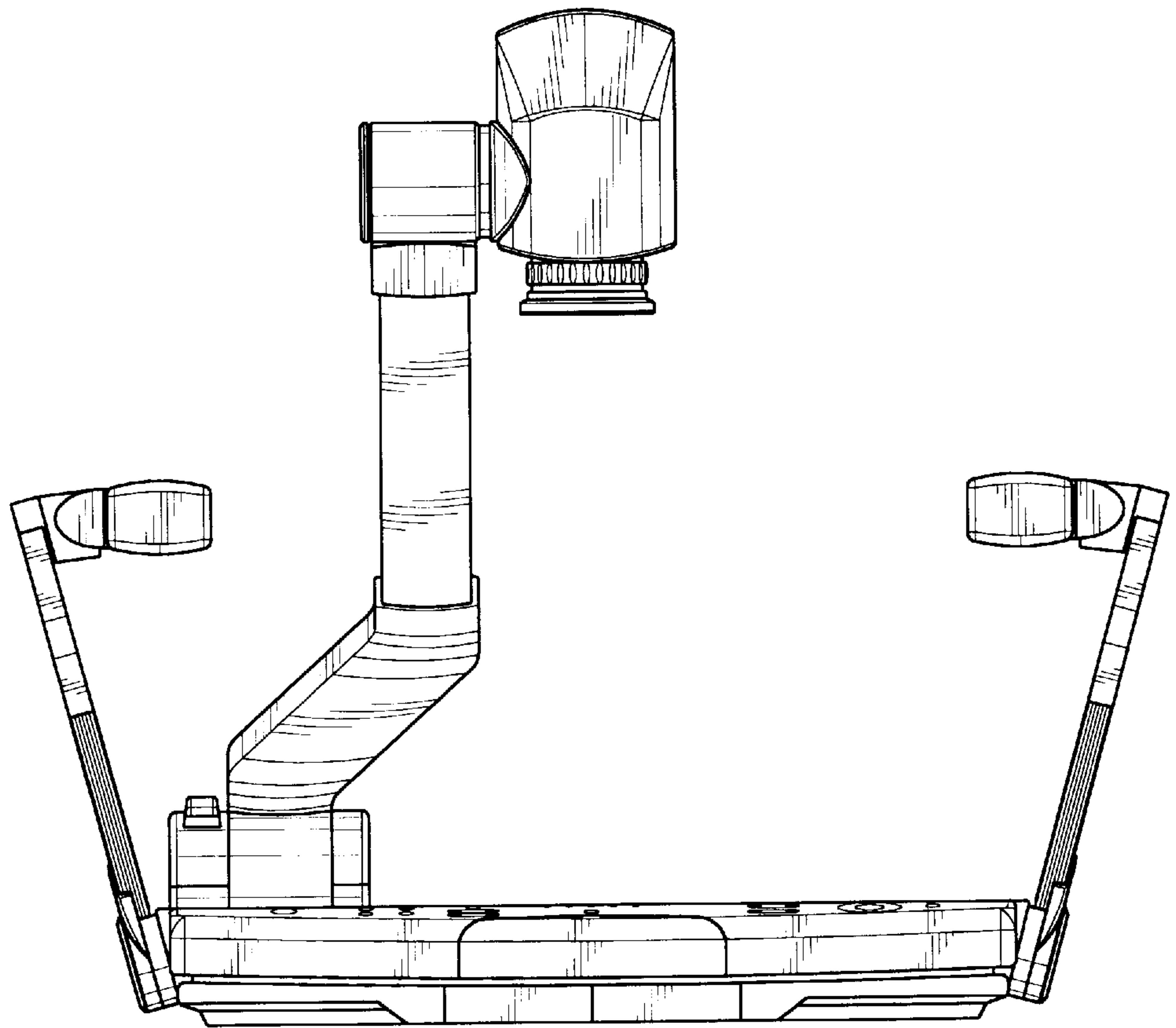


FIG. 2

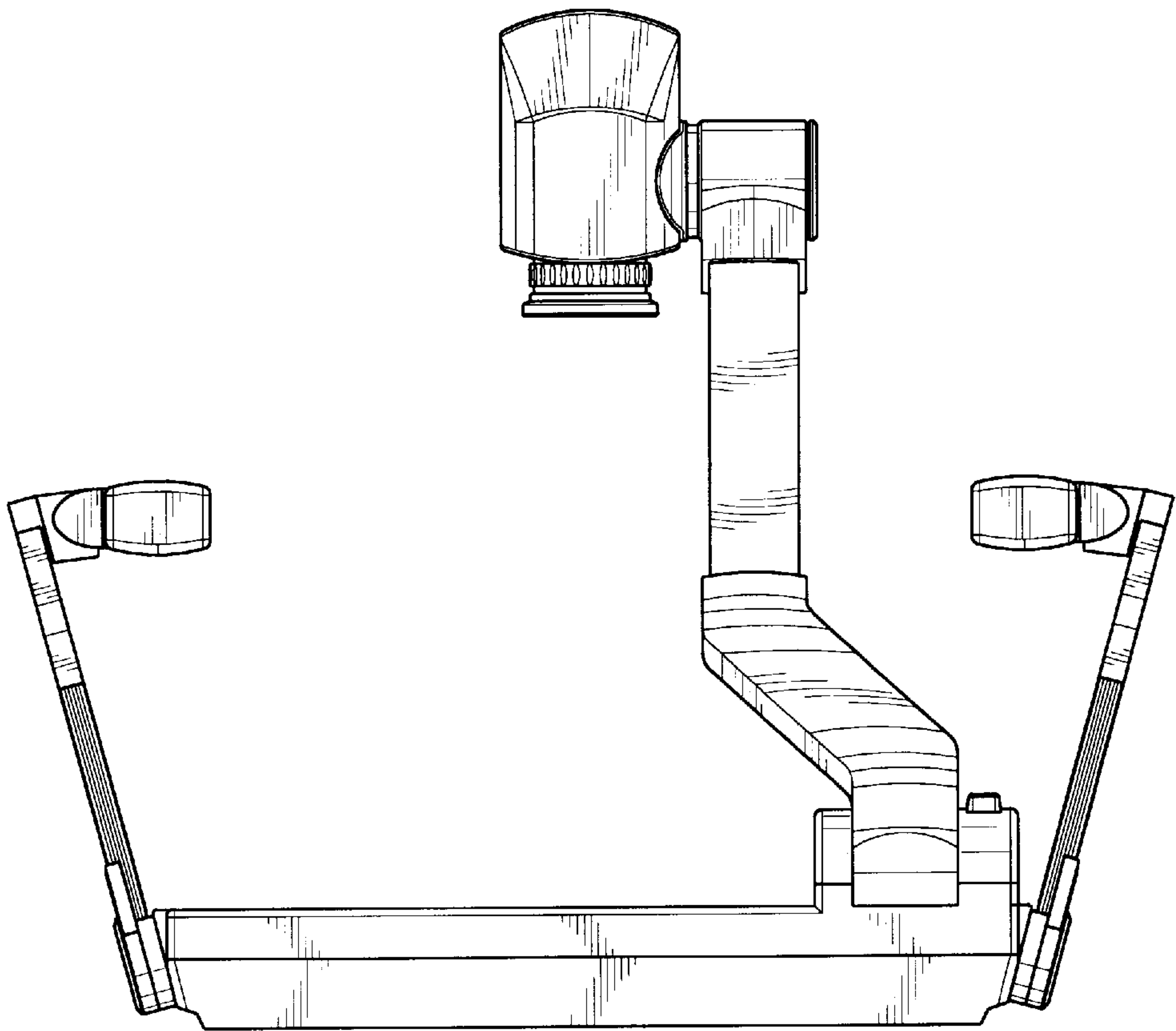


FIG.3

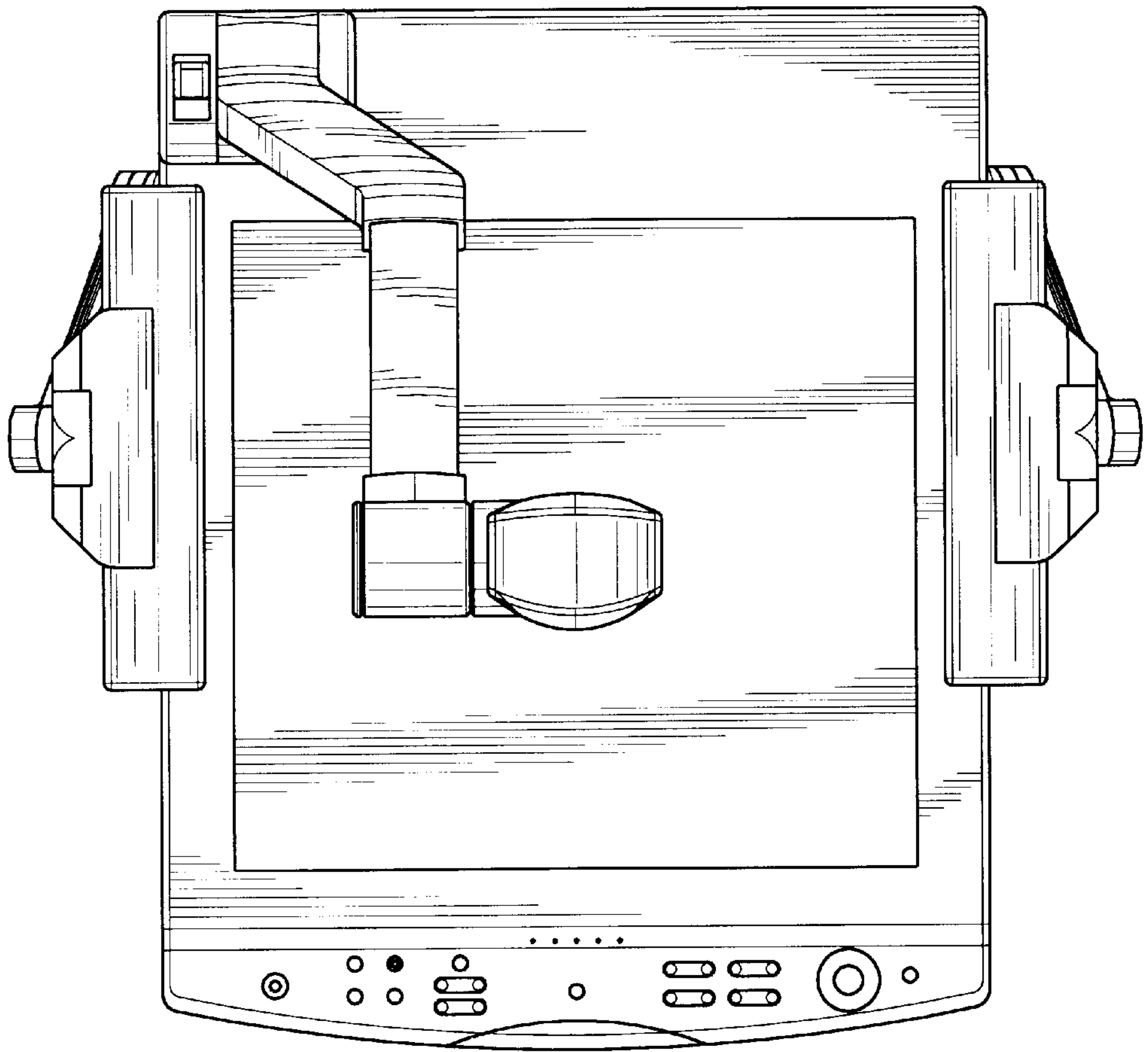


FIG. 4

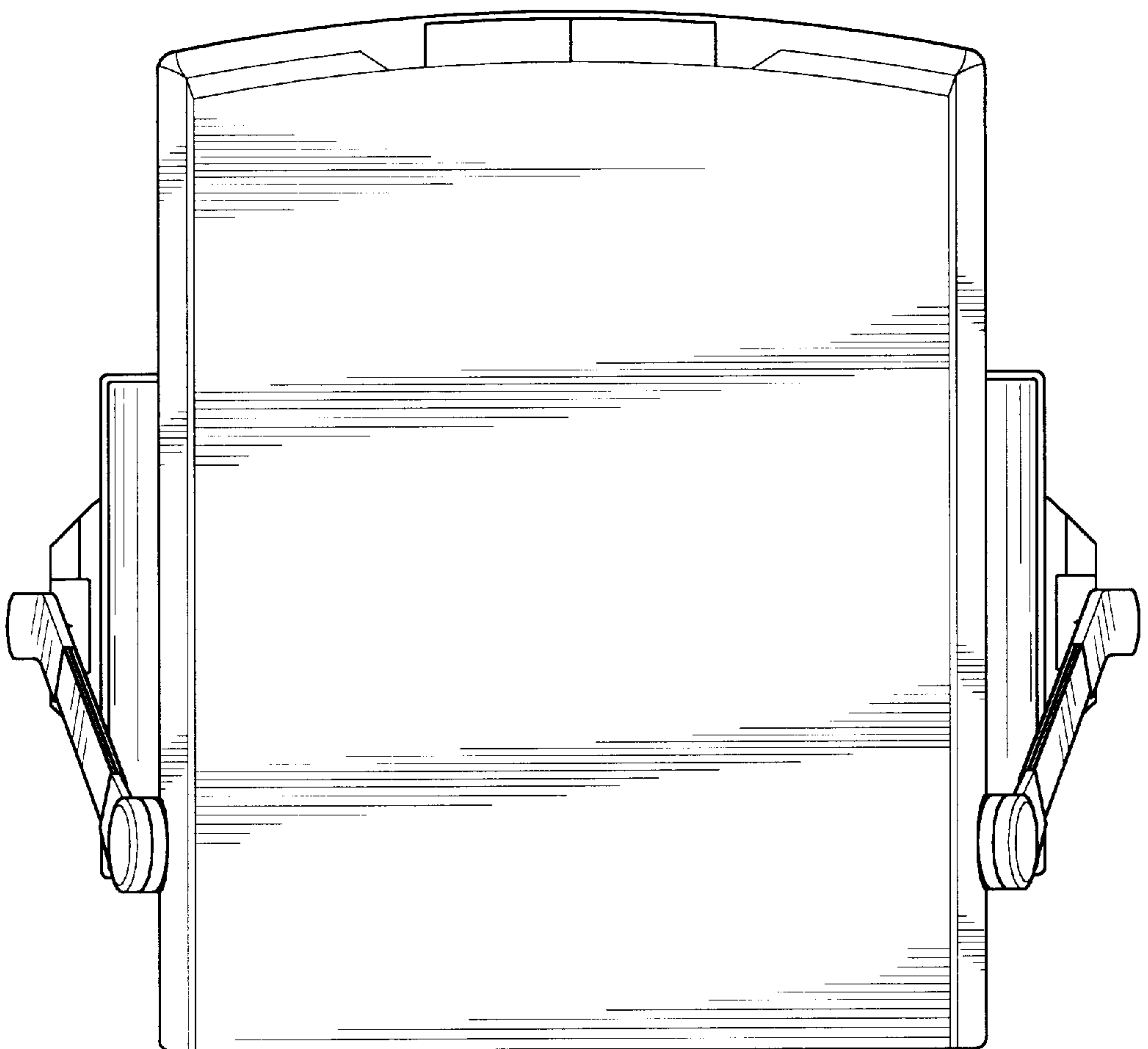


FIG. 5

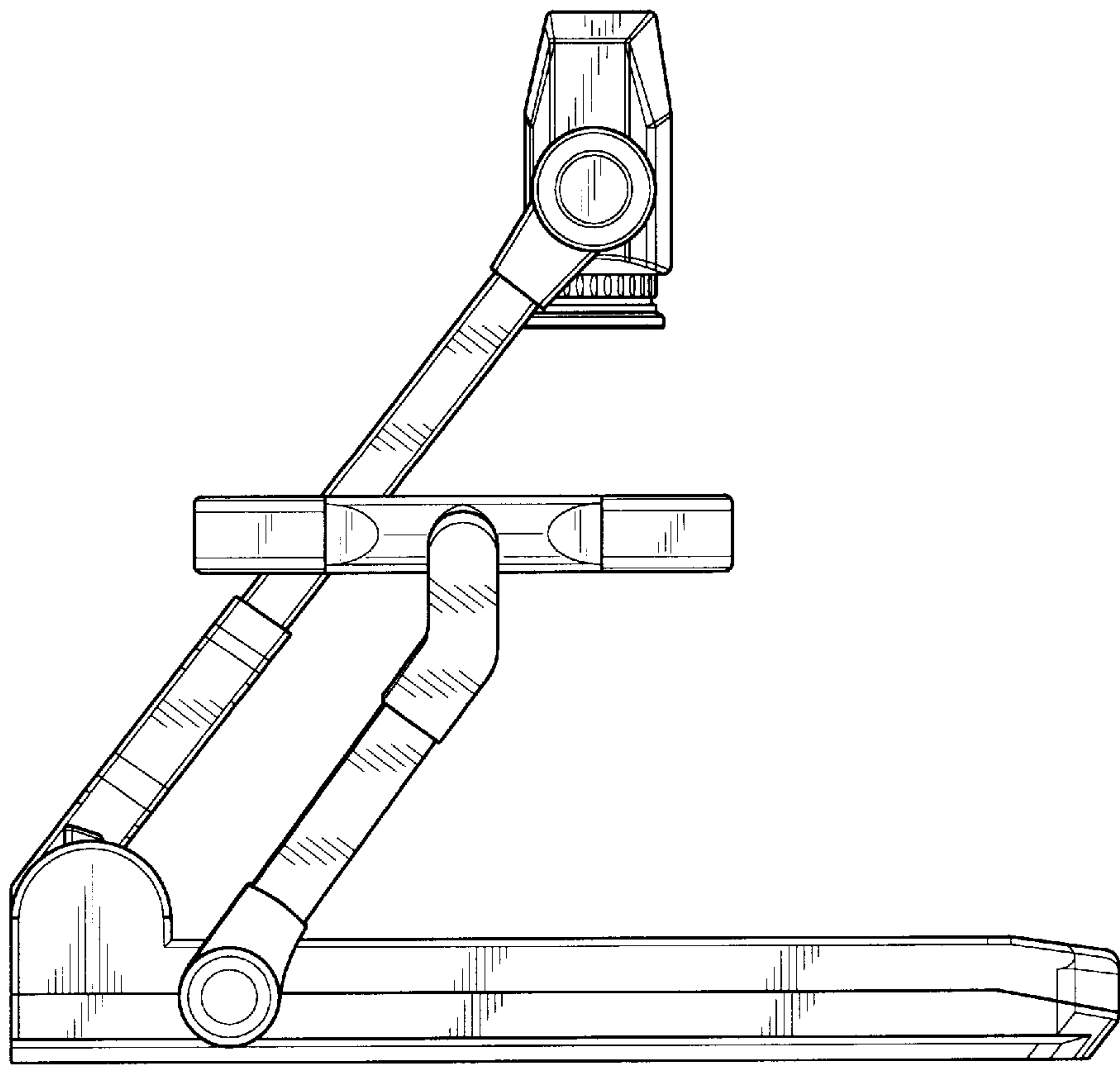


FIG. 6

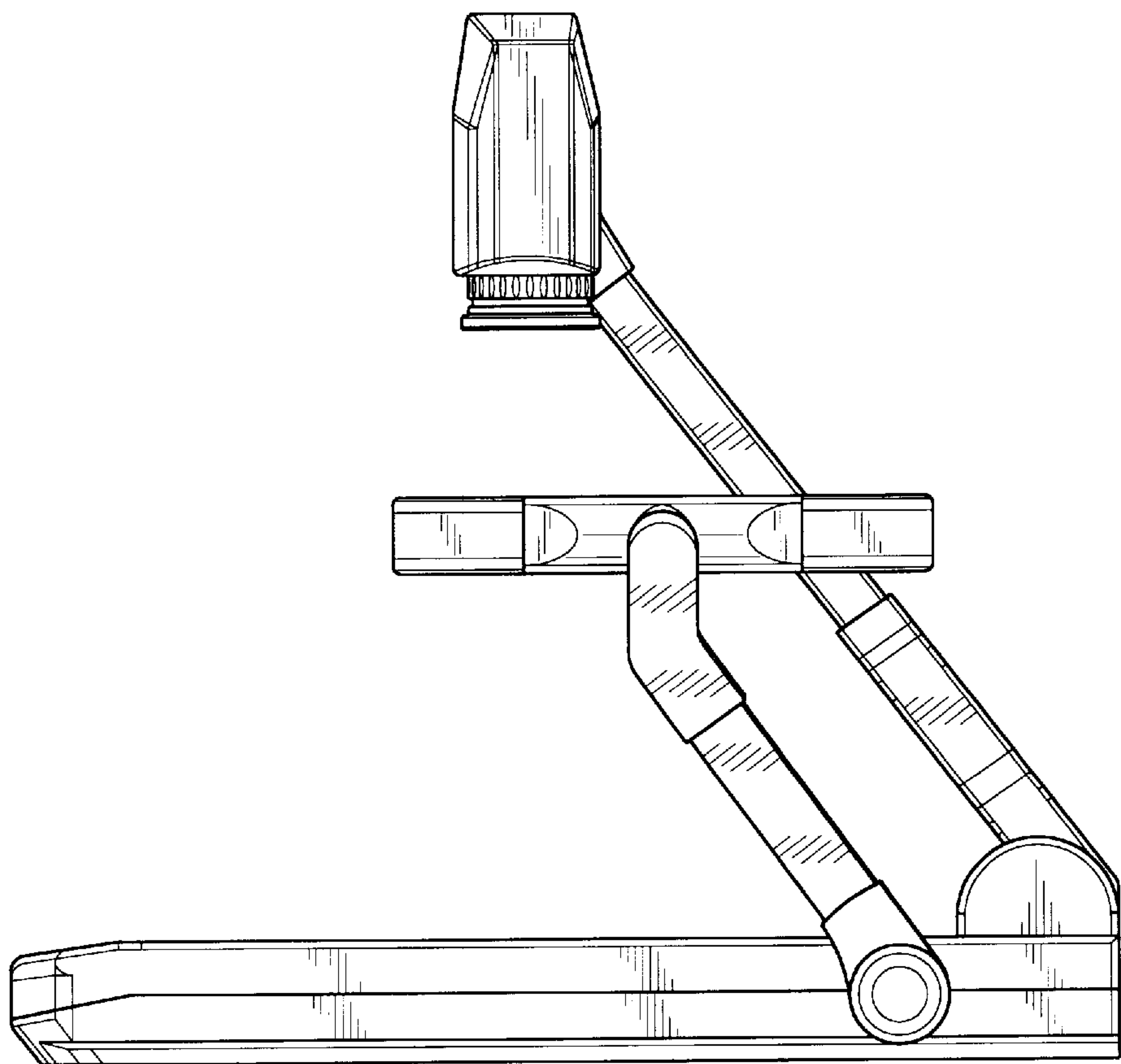


FIG. 7

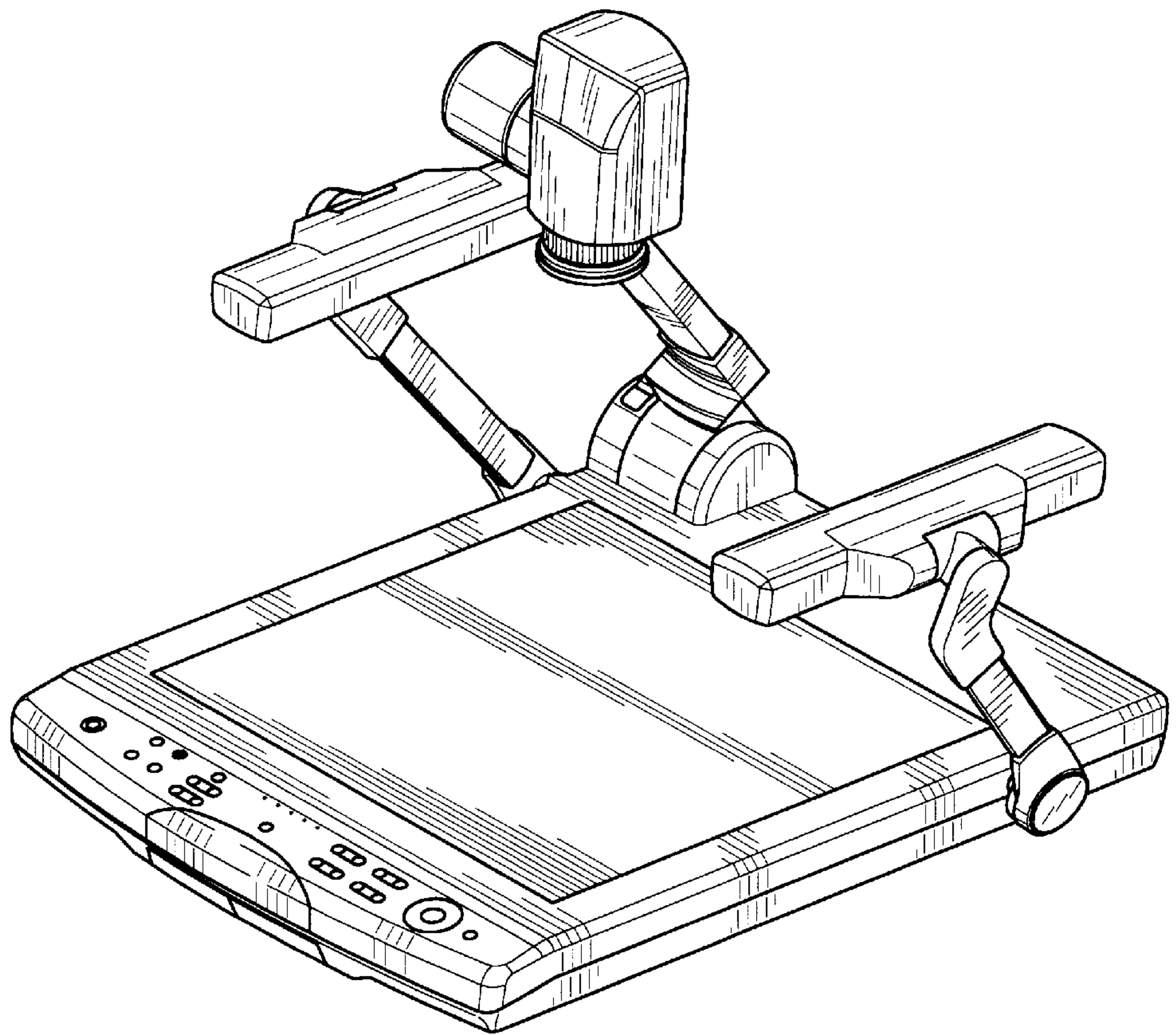


FIG. 8

