



US00D424089S

United States Patent [19]
Takizawa

[11] **Patent Number: Des. 424,089**

[45] **Date of Patent: ** May 2, 2000**

[54] **REPLACEMENT LAMP FOR PROJECTOR**

[75] Inventor: **Takeshi Takizawa**, Suwa, Japan

[73] Assignee: **Seiko Epson Corporation**, Tokyo, Japan

[**] Term: **14 Years**

[21] Appl. No.: **29/072,430**

[22] Filed: **Jun. 17, 1997**

[30] **Foreign Application Priority Data**

Dec. 17, 1996 [JP] Japan 8-38278

[51] **LOC (7) Cl.** **16-02**

[52] **U.S. Cl.** **D16/221**

[58] **Field of Search** D26/24; D16/237,
D16/221, 225, 235, 236; 362/226, 306,
294; 352/198, 203; 353/119

[56] **References Cited**

U.S. PATENT DOCUMENTS

4,390,935 6/1983 Audesse et al. 362/226

5,722,753 3/1998 Okada et al. 353/119
5,855,488 1/1999 Heintz et al. 353/119 X
5,868,485 2/1999 Fuimori et al. 353/119

Primary Examiner—Susan J. Lucas
Attorney, Agent, or Firm—Oliff & Berridge, PLC

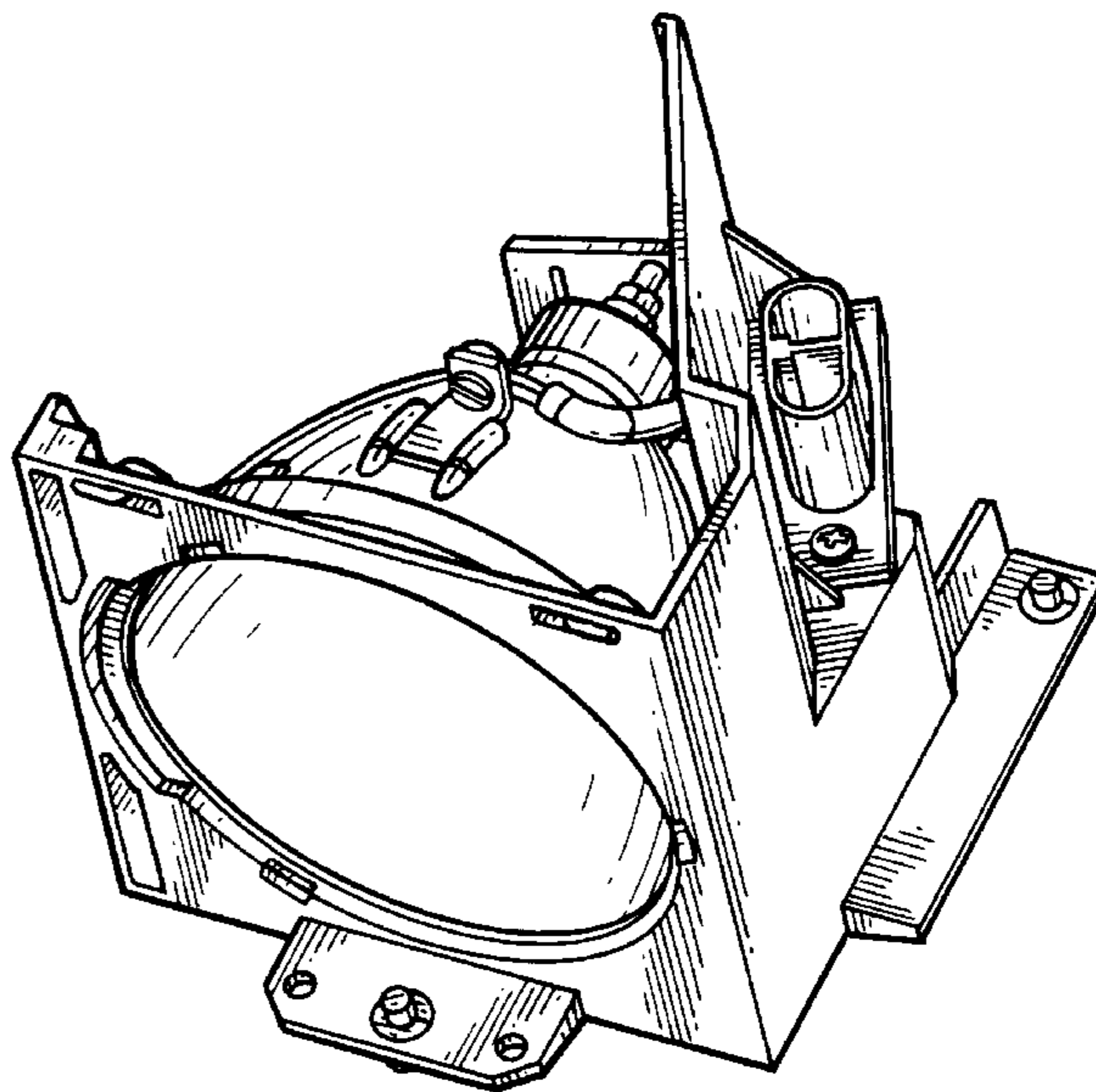
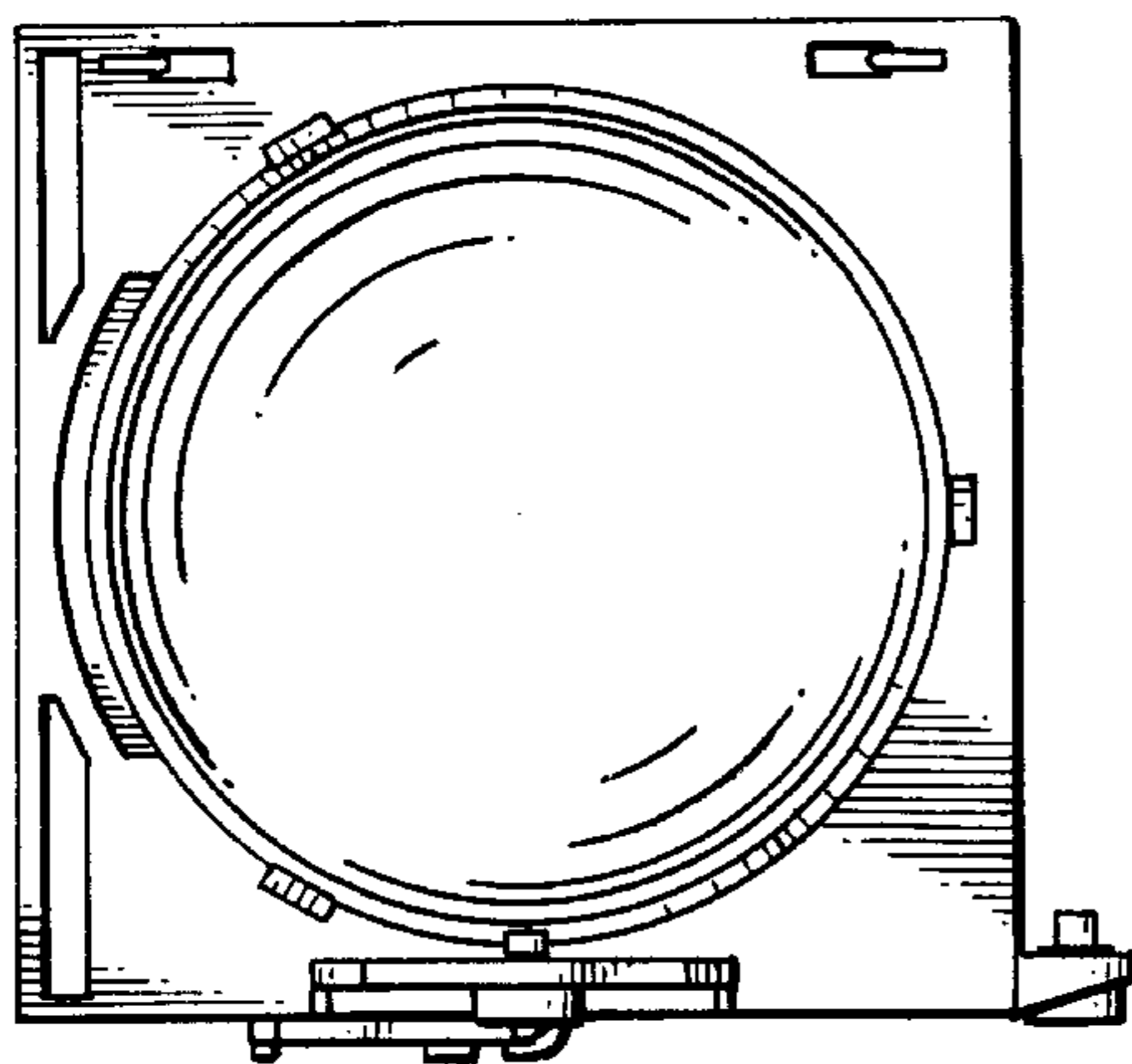
[57] **CLAIM**

The ornamental design for replacement lamp for projector, as shown and described.

DESCRIPTION

FIG. 1 is a front elevational view of a replacement lamp for projector in accordance with my inventive design;
FIG. 2 is a rear elevational view thereof;
FIG. 3 is a top plan view thereof;
FIG. 4 is a bottom plan view thereof;
FIG. 5 is a left side view thereof;
FIG. 6 is a right side view thereof; and,
FIG. 7 is a perspective view thereof.

1 Claim, 4 Drawing Sheets



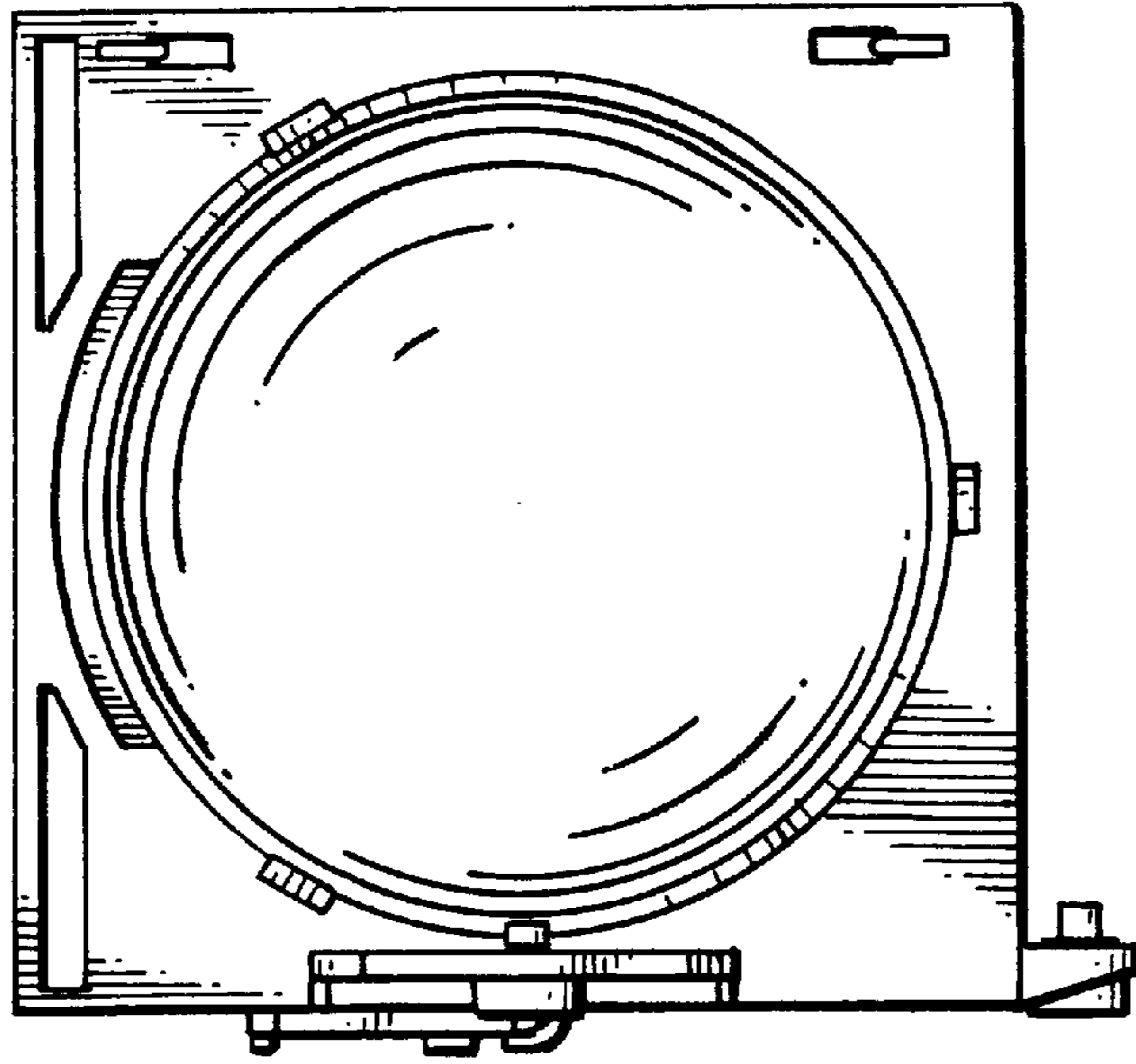


FIG. 1

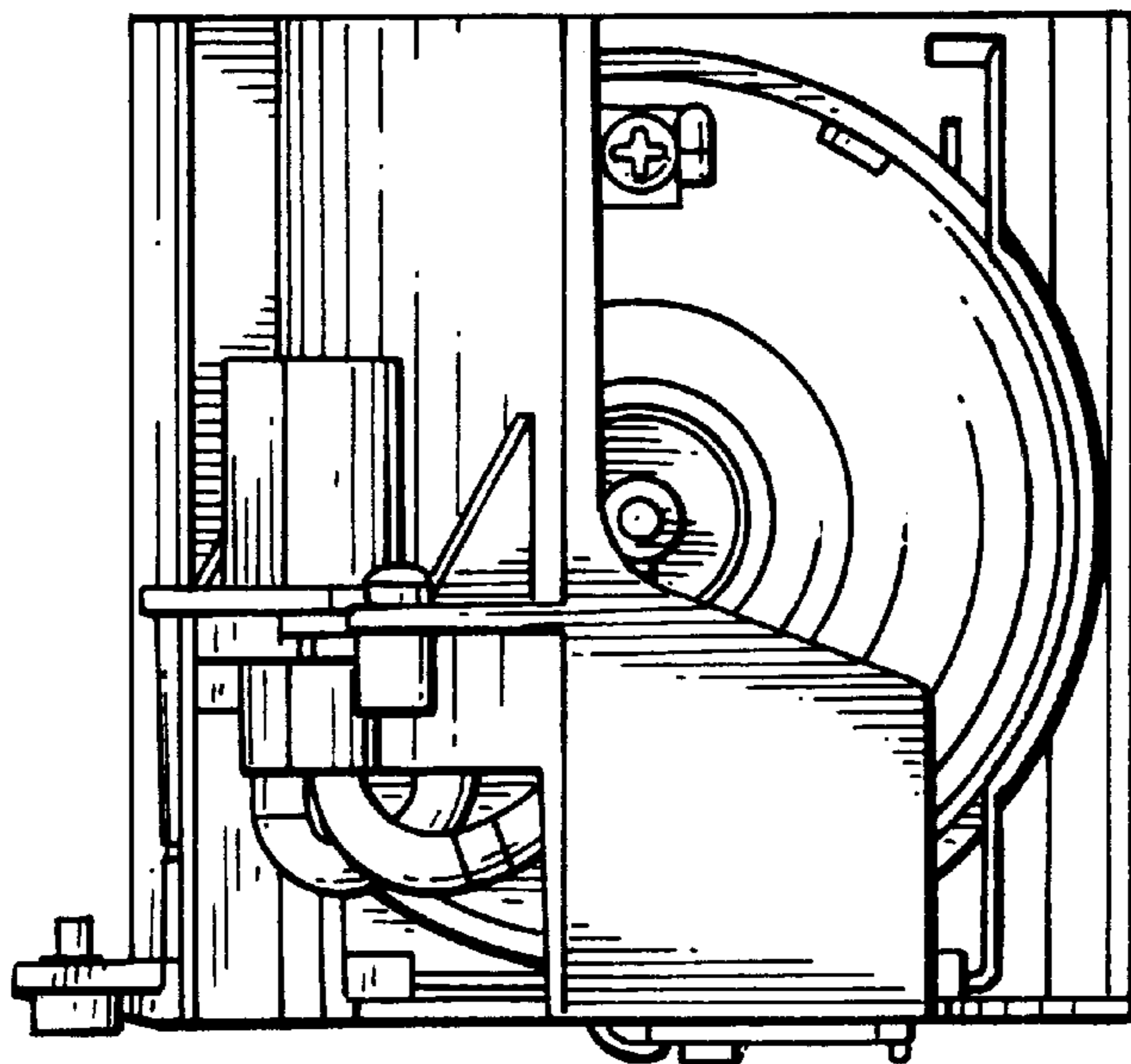


FIG. 2

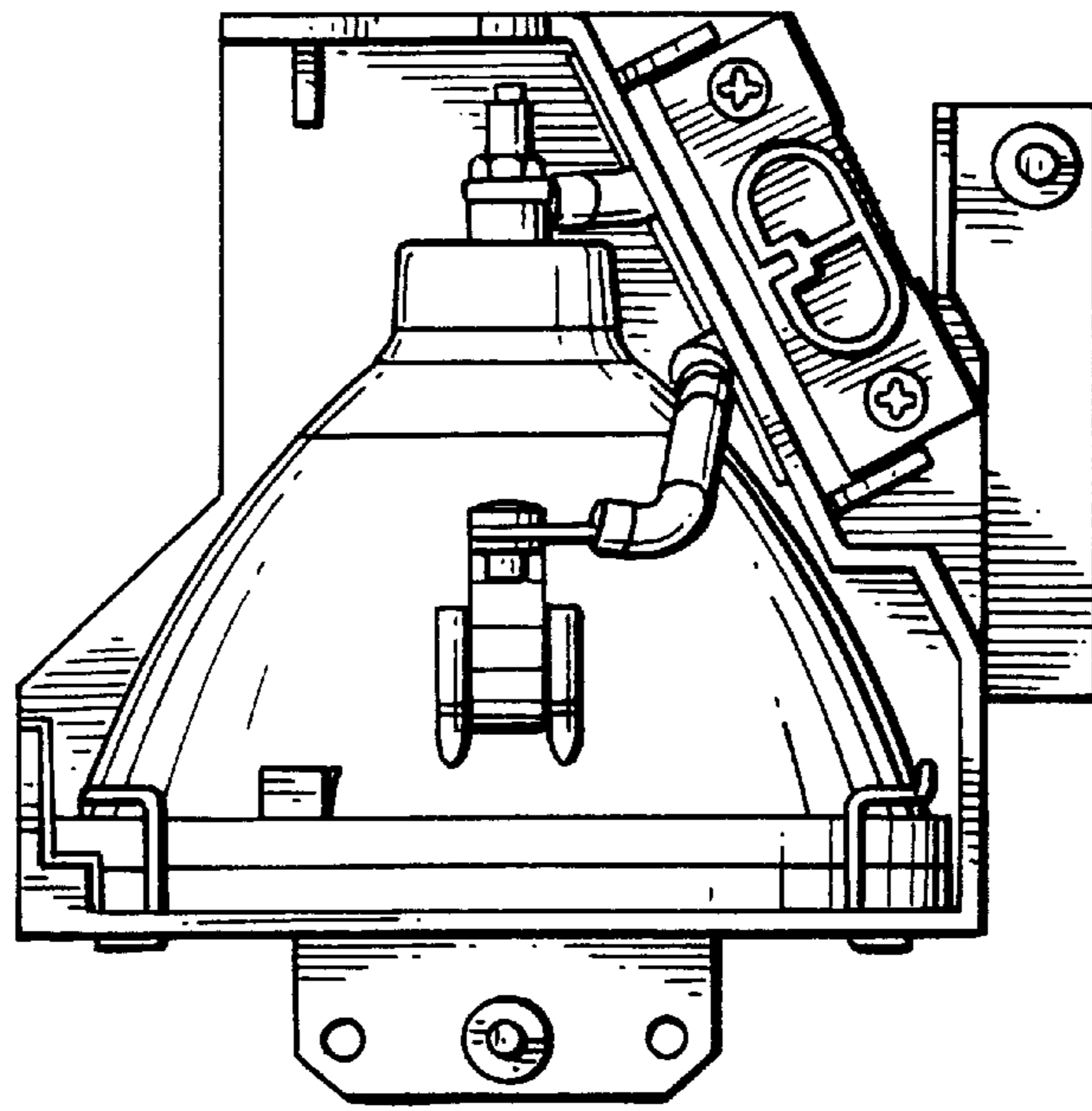


FIG. 3

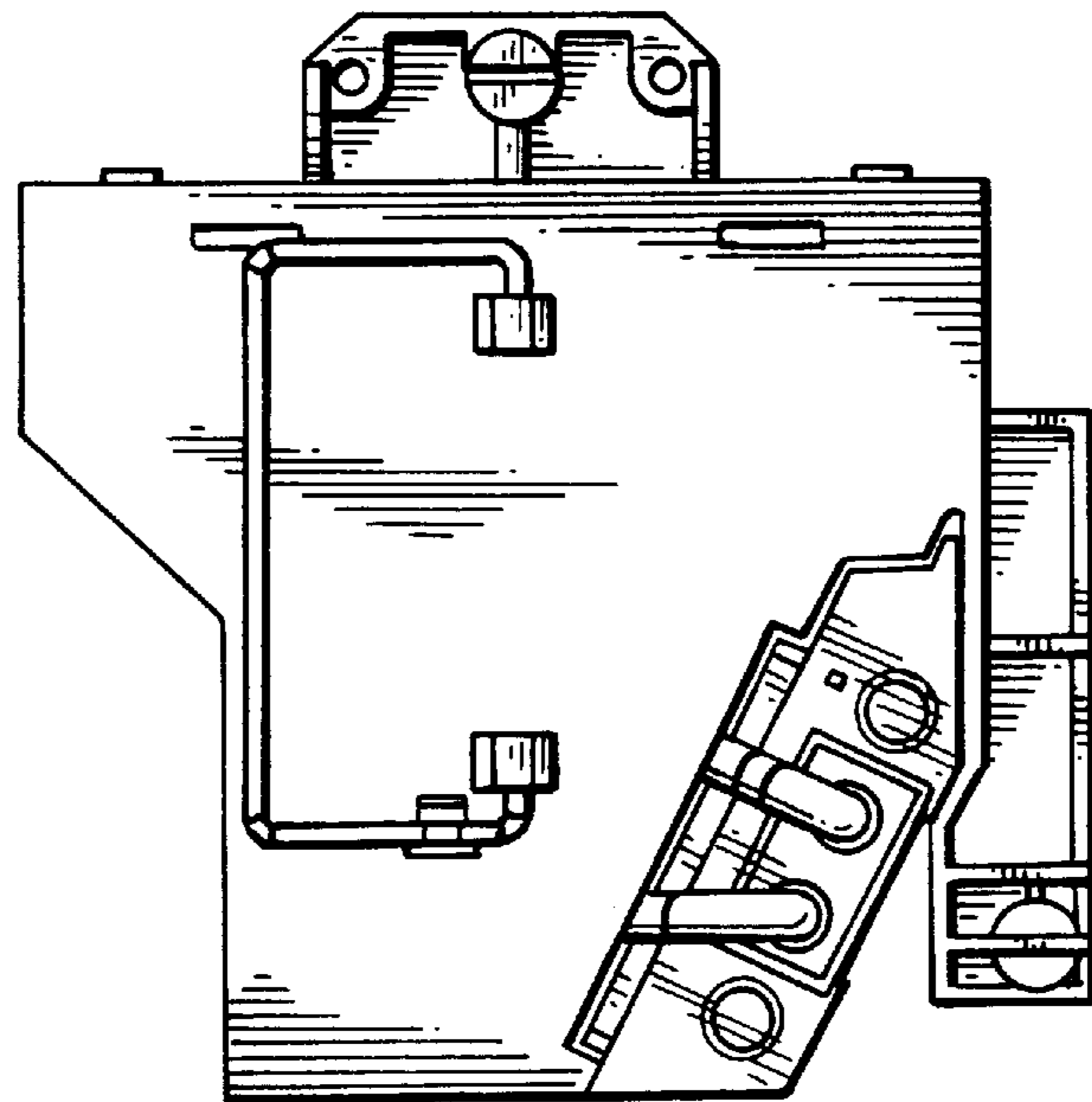


FIG. 4

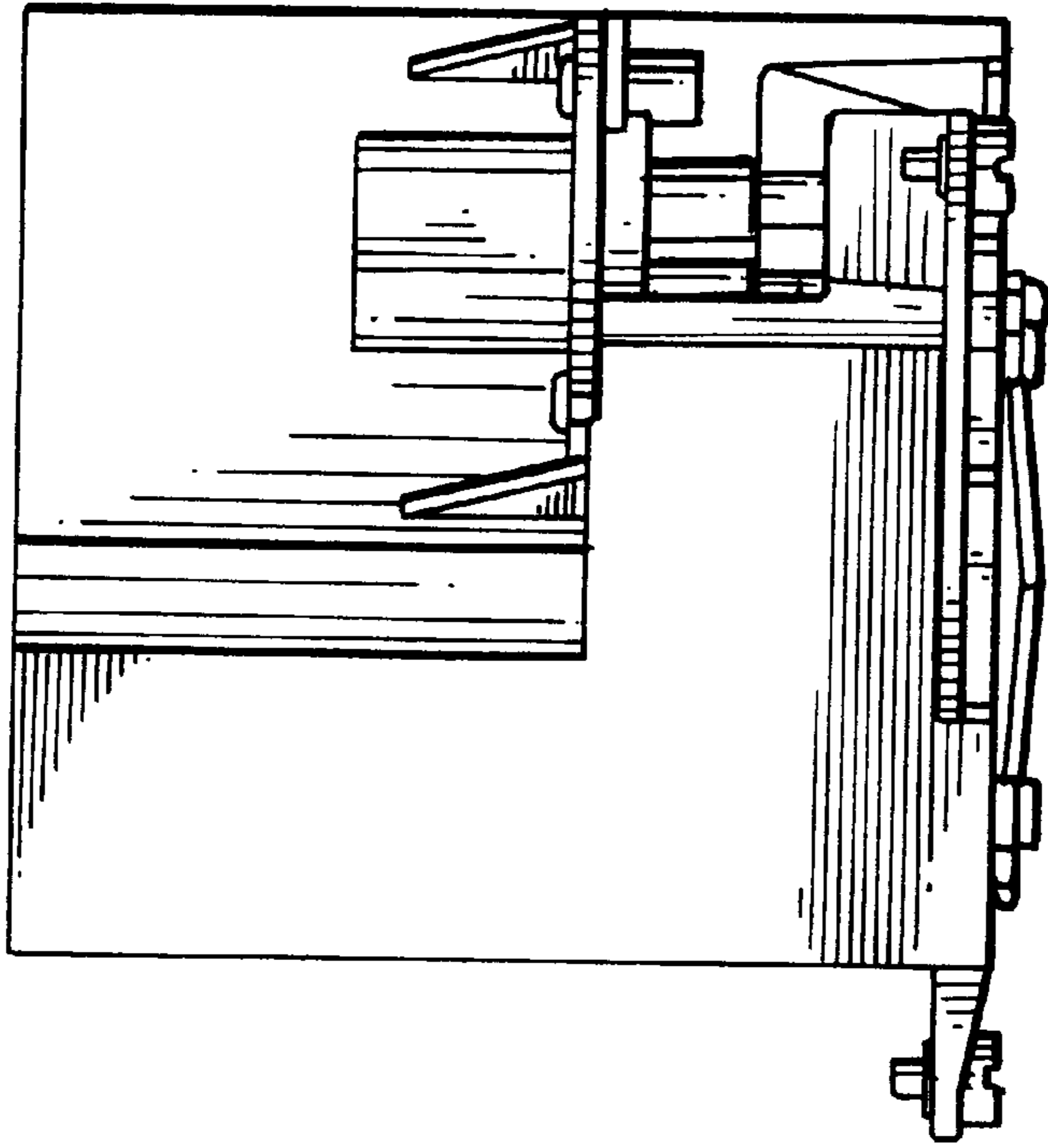


FIG. 6

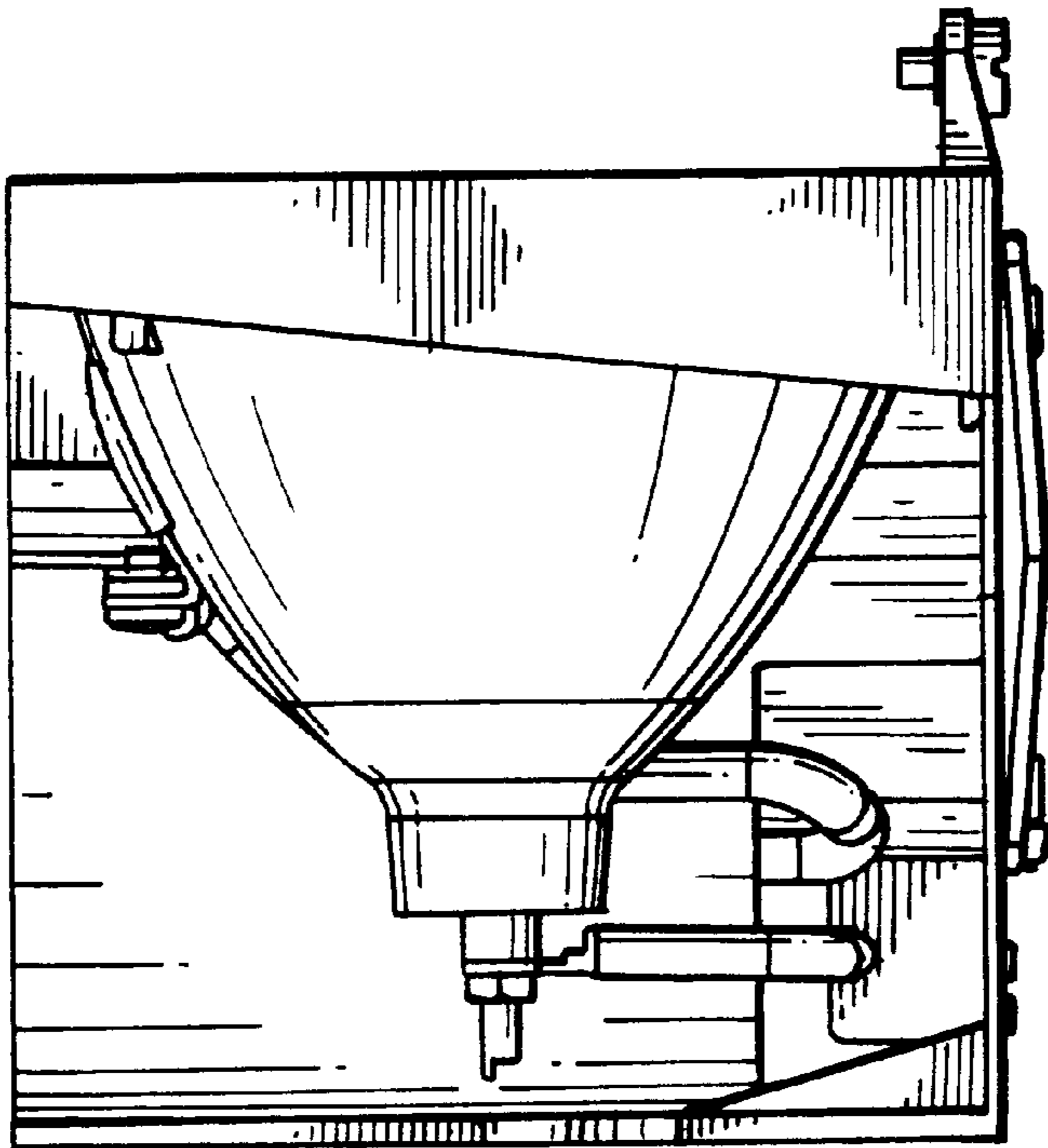


FIG. 5

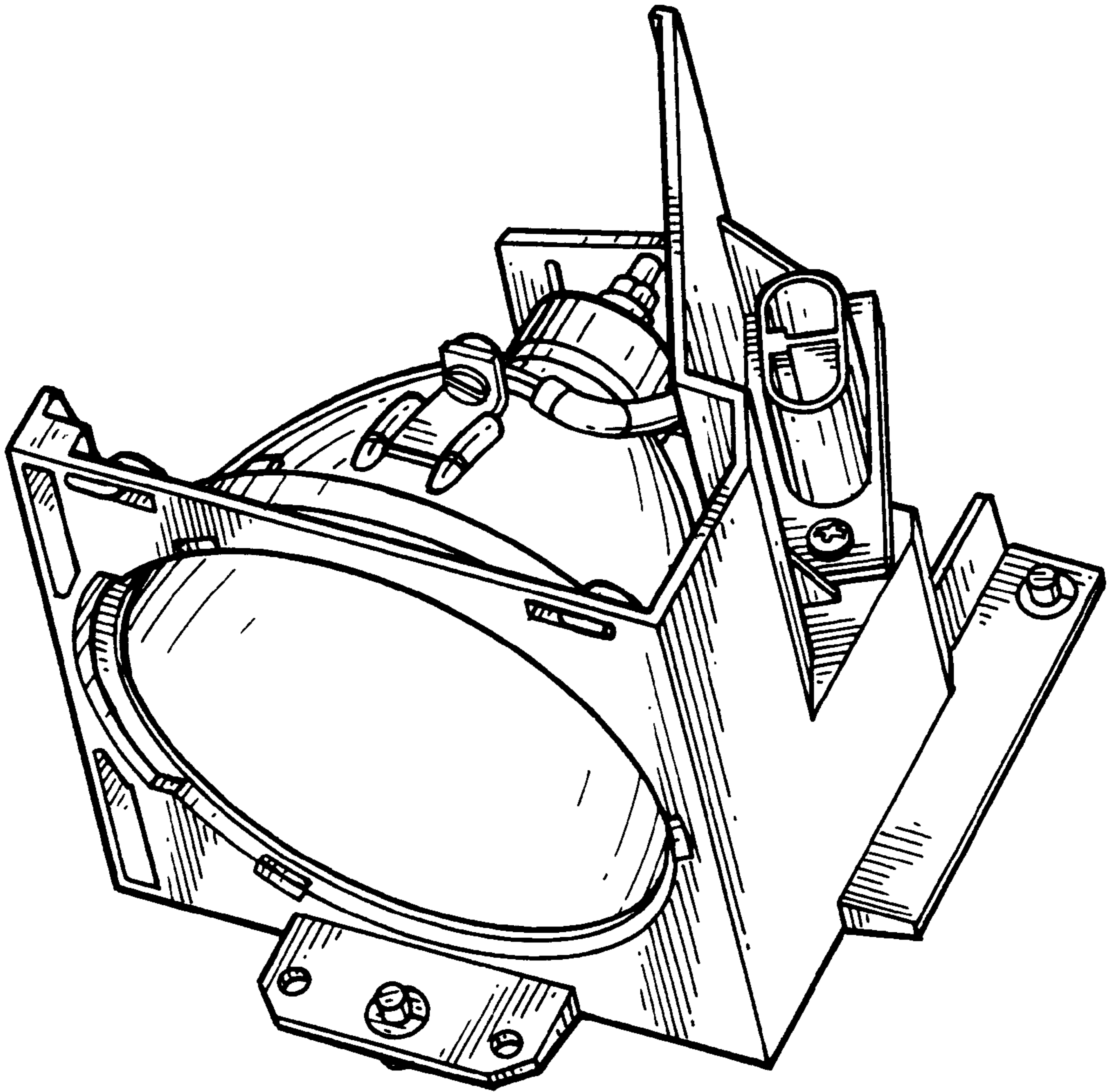


FIG. 7