



US00D424088S

United States Patent [19] Moro

[11] **Patent Number: Des. 424,088**

[45] **Date of Patent: ** May 2, 2000**

[54] **CAMERA**

[75] Inventor: **Ken Moro**, Yokosuka, Japan

[73] Assignee: **Nikon Corporation**, Tokyo, Japan

[**] Term: **14 Years**

[21] Appl. No.: **29/091,778**

[22] Filed: **Aug. 6, 1998**

[30] **Foreign Application Priority Data**

Feb. 10, 1998 [JP] Japan 10-3579

[51] **LOC (7) Cl.** **16-01**

[52] **U.S. Cl.** **D16/209**

[58] **Field of Search** D16/200-204,
D16/208, 209, 216-218; 396/535-543

[56] **References Cited**

U.S. PATENT DOCUMENTS

D. 353,610	12/1994	Akabane et al.	D16/209
D. 359,299	6/1995	Moro et al.	D16/209
D. 374,243	10/1996	Nagaoka et al.	D16/209
D. 386,183	11/1997	Katayama	D16/209

OTHER PUBLICATIONS

Popular Photography, p. 72 (Pentax IQ Zoom 70), May 1988.
Camera SOGO Catalog, vol. 110 p. 81, 1995.

Primary Examiner—Adir Aronovich
Attorney, Agent, or Firm—Oliff & Berridge, PLC

[57] **CLAIM**

The ornamental design for a camera, as shown.

DESCRIPTION

FIG. 1 is a front elevational view of a camera showing our new design;
FIG. 2 is a left side elevational view thereof;
FIG. 3 is a rear elevational view thereof;
FIG. 4 is a right side elevational view thereof;
FIG. 5 is a top plan view thereof;
FIG. 6 is a bottom plan view thereof;
FIG. 7 is a front perspective view thereof;
FIG. 8 is a front perspective view thereof, with a lens cover opened; and,
FIG. 9 is a front perspective view thereof, with a lens barrel projected.

1 Claim, 5 Drawing Sheets



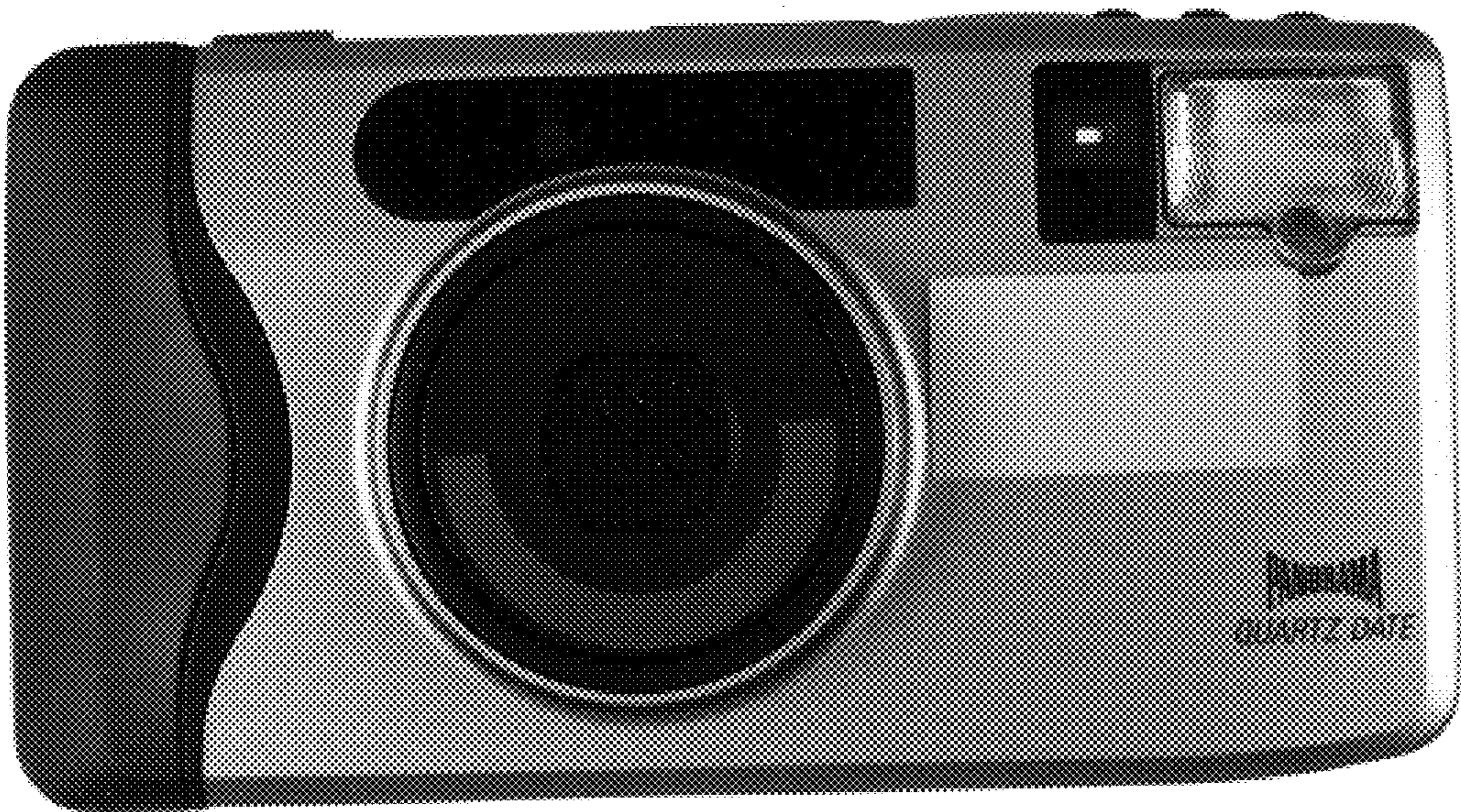


FIG. 1

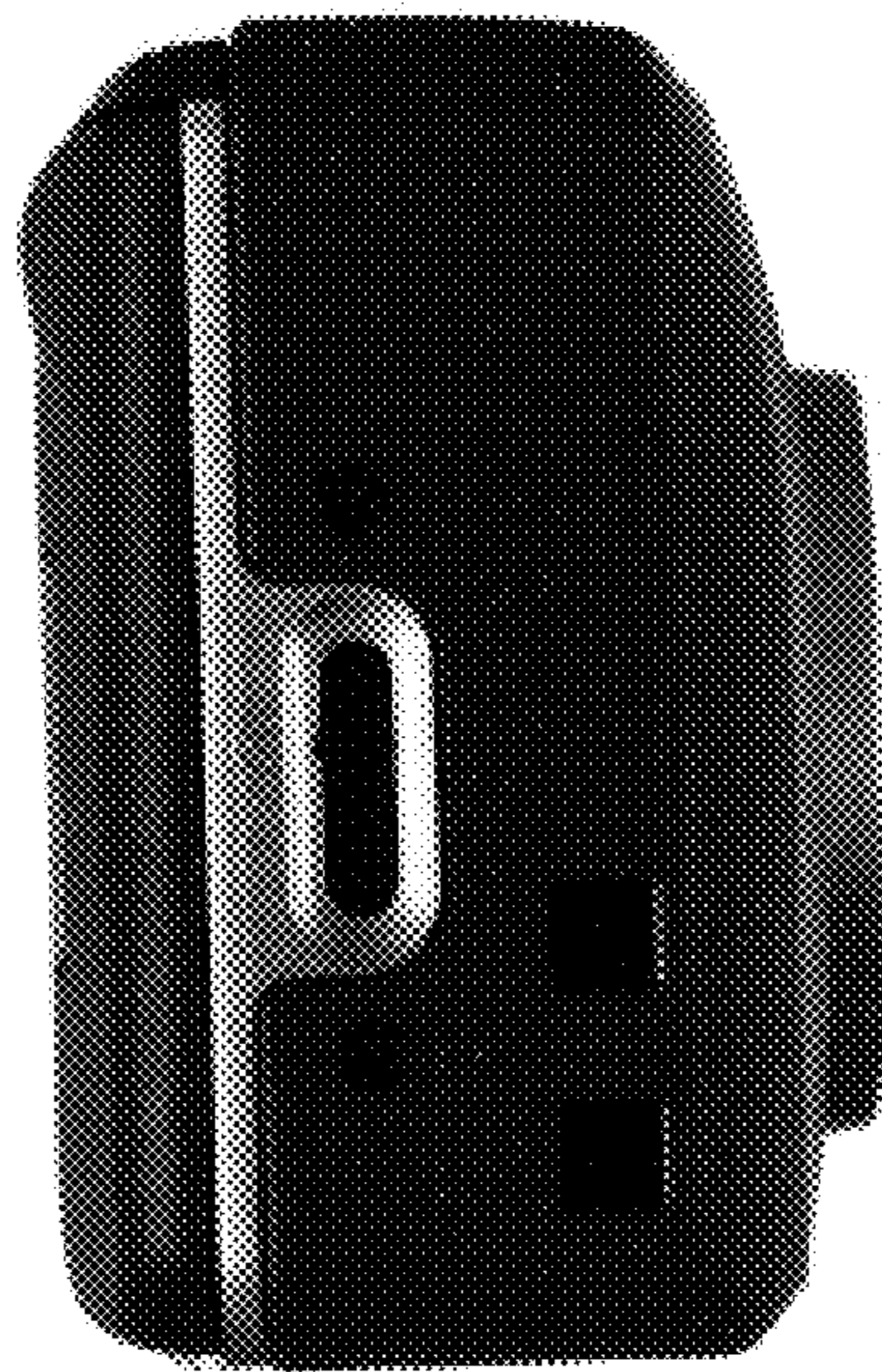


FIG. 2



FIG. 3

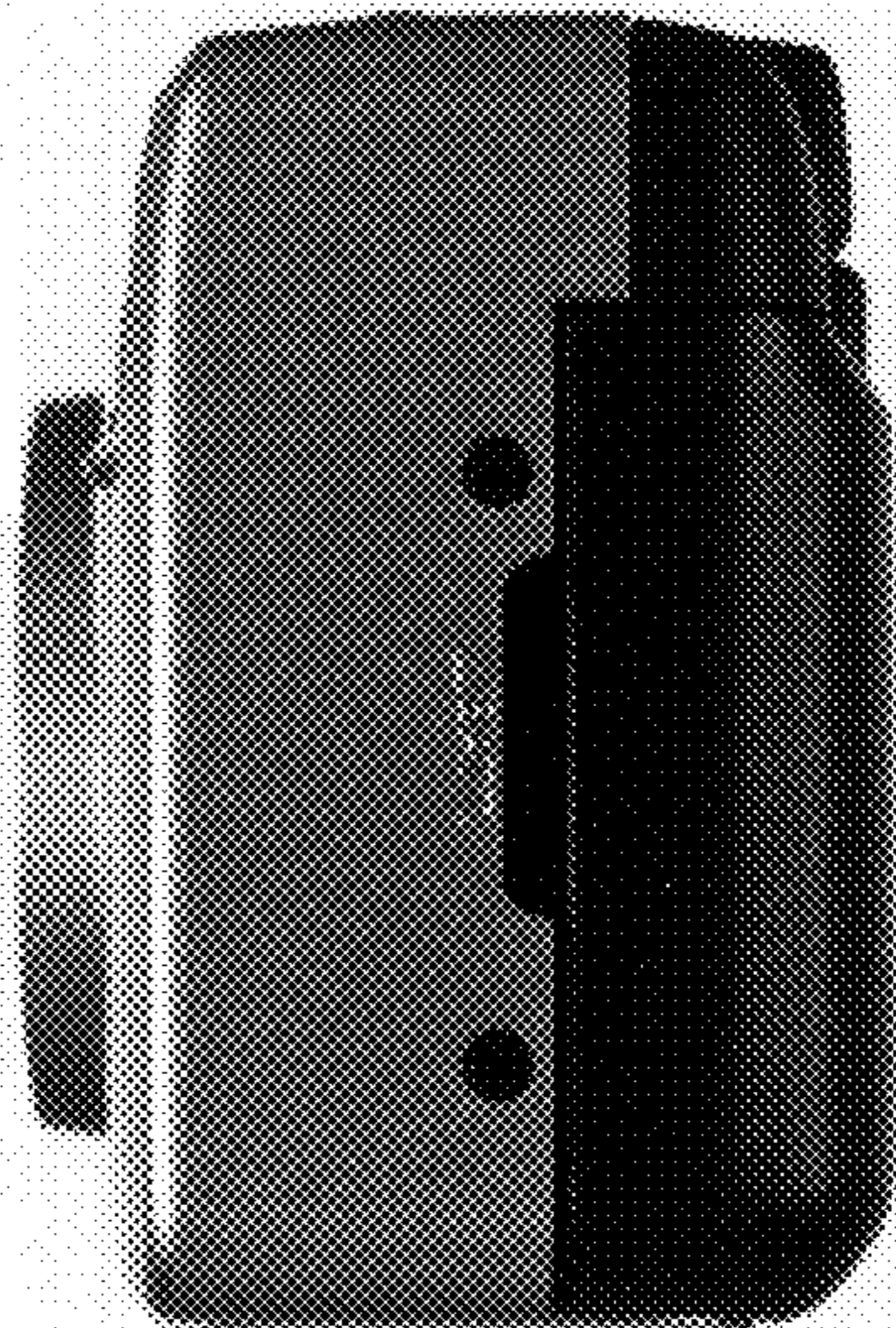


FIG. 4

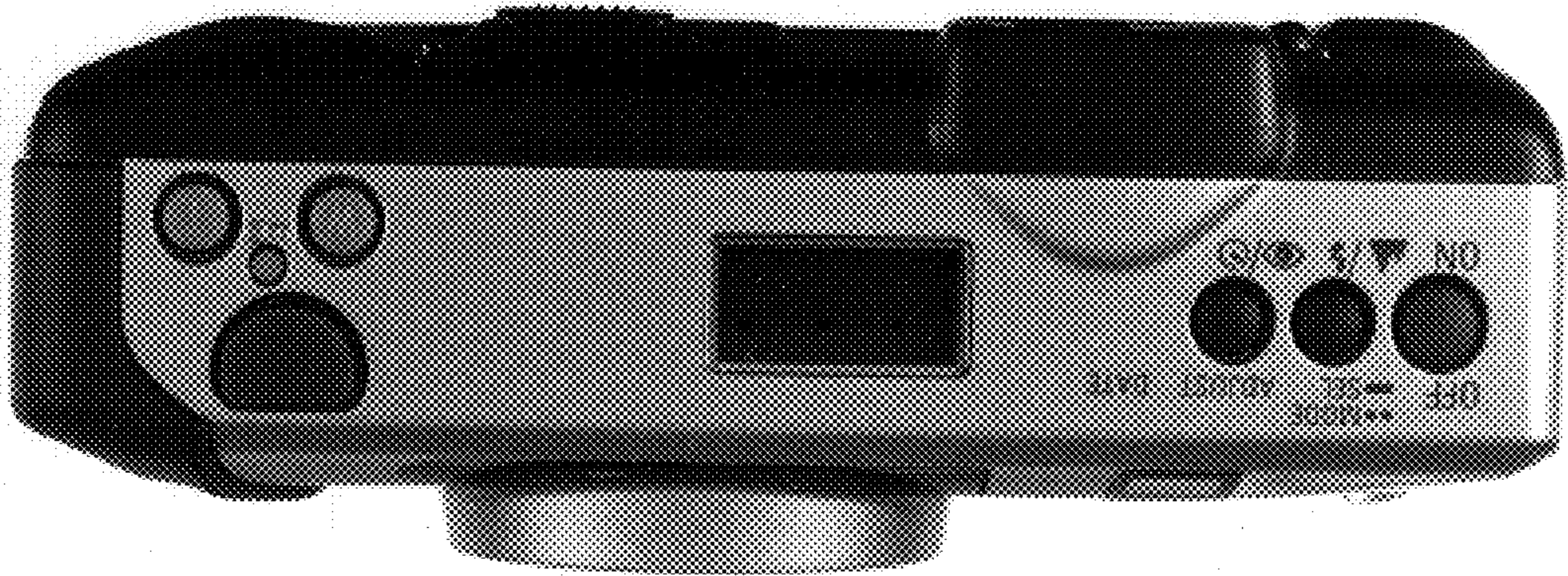


FIG. 5



FIG. 6



FIG. 7



FIG. 8



FIG. 9