



US00D424085S

United States Patent [19]

Naito

[11] Patent Number: **Des. 424,085**

[45] Date of Patent: **** May 2, 2000**

[54] **ELECTRONIC CAMERA**

[75] Inventor: **Yoshitaka Naito**, Ome, Japan

[73] Assignee: **Olympus Optical Co., LTD.**, Tokyo, Japan

[**] Term: **14 Years**

[21] Appl. No.: **29/108,924**

[22] Filed: **Aug. 5, 1999**

[30] Foreign Application Priority Data

Feb. 15, 1999 [JP] Japan 11-3159

[51] **LOC (7) Cl.** **16-01**

[52] **U.S. Cl.** **D16/202; D16/218**

[58] **Field of Search** D16/200-206,
D16/208, 209, 217, 218; 358/906, 909.1;
396/535-541

[56] References Cited

U.S. PATENT DOCUMENTS

D. 388,449 12/1997 Ohi et al. D16/202

D. 397,128	8/1998	Sugioka	D16/202
D. 410,665	6/1999	Shinano	D16/202
D. 412,004	7/1999	Hamamura	D16/209
D. 412,517	8/1999	Hayamizu	D16/209
4,456,931	6/1984	Toyoda et al.	386/118
5,875,034	2/1999	Shintani et al.	358/906

Primary Examiner—Adir Aronovich
Attorney, Agent, or Firm—Loeb & Loeb, LLP

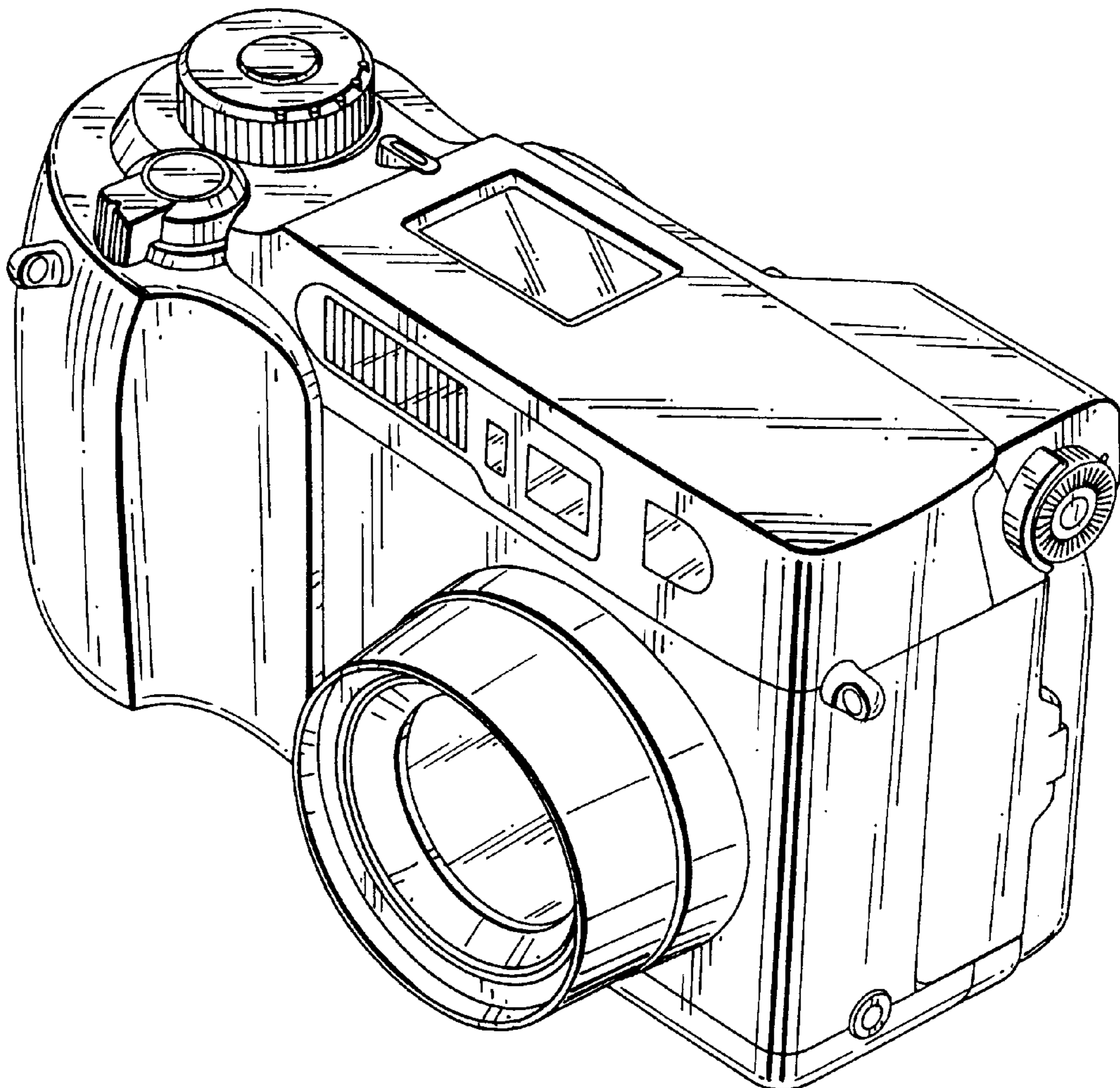
[57] CLAIM

The ornamental design for an electronic camera, as shown and described.

DESCRIPTION

FIG. 1 is a front, top and right side perspective view of an electronic camera, showing my new design; FIG. 2 is a front elevational view thereof; FIG. 3 is a top plan view thereof; FIG. 4 is a left side elevational view thereof; FIG. 5 is a right side elevational view thereof; FIG. 6 is a rear elevational view thereof; and, FIG. 7 is a bottom plan view thereof.

1 Claim, 4 Drawing Sheets



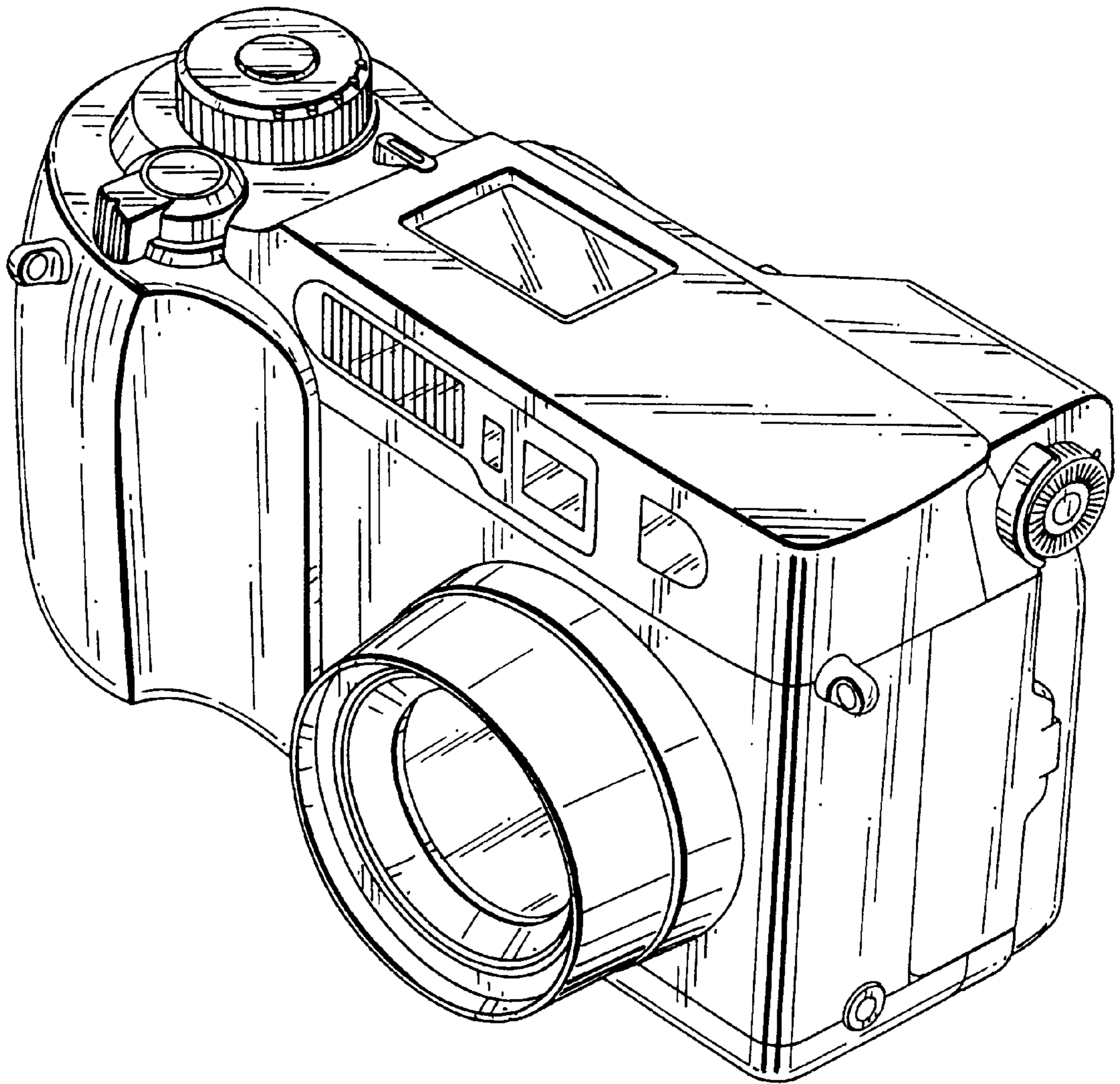


FIG. 1

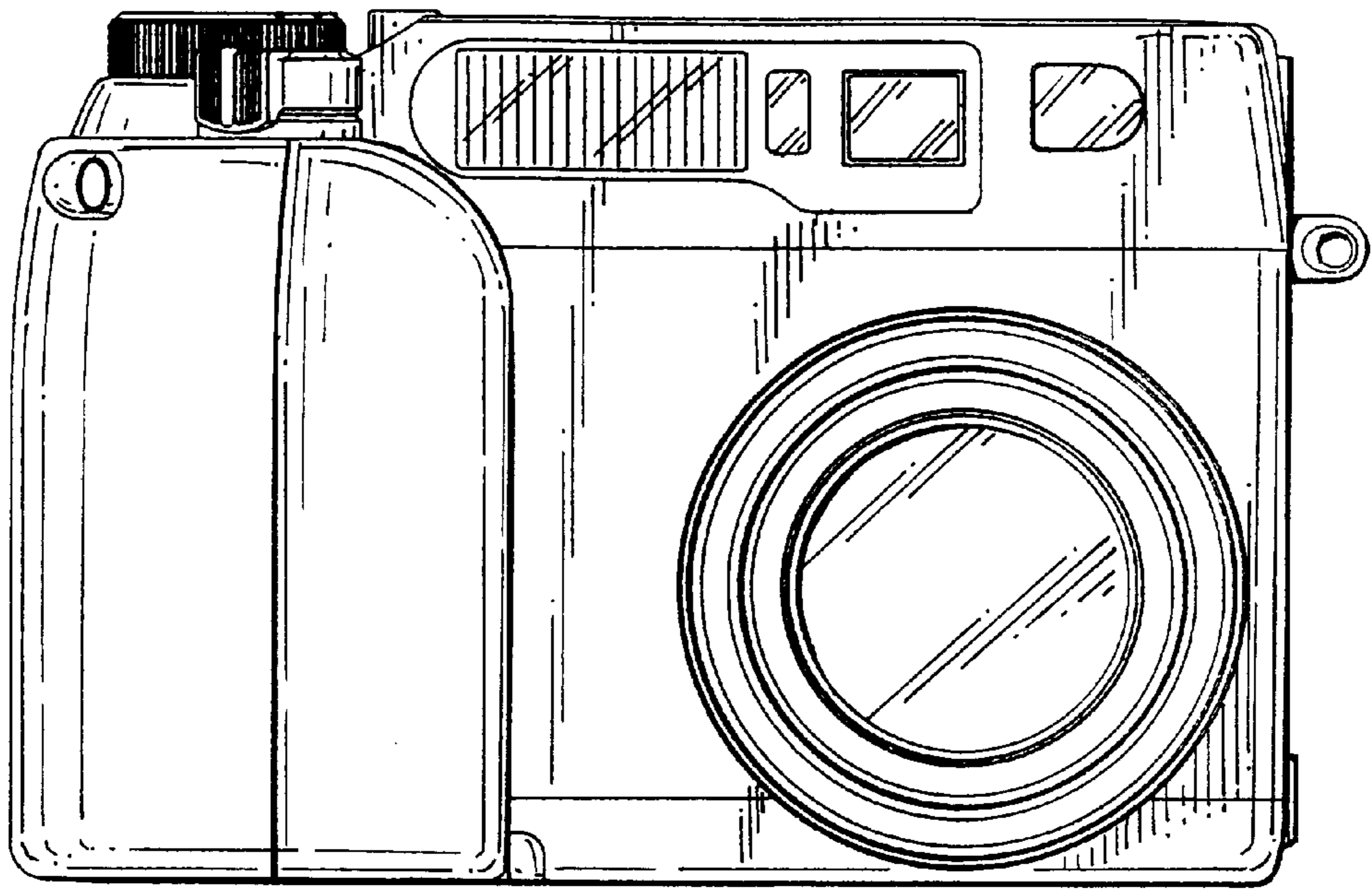


FIG. 2

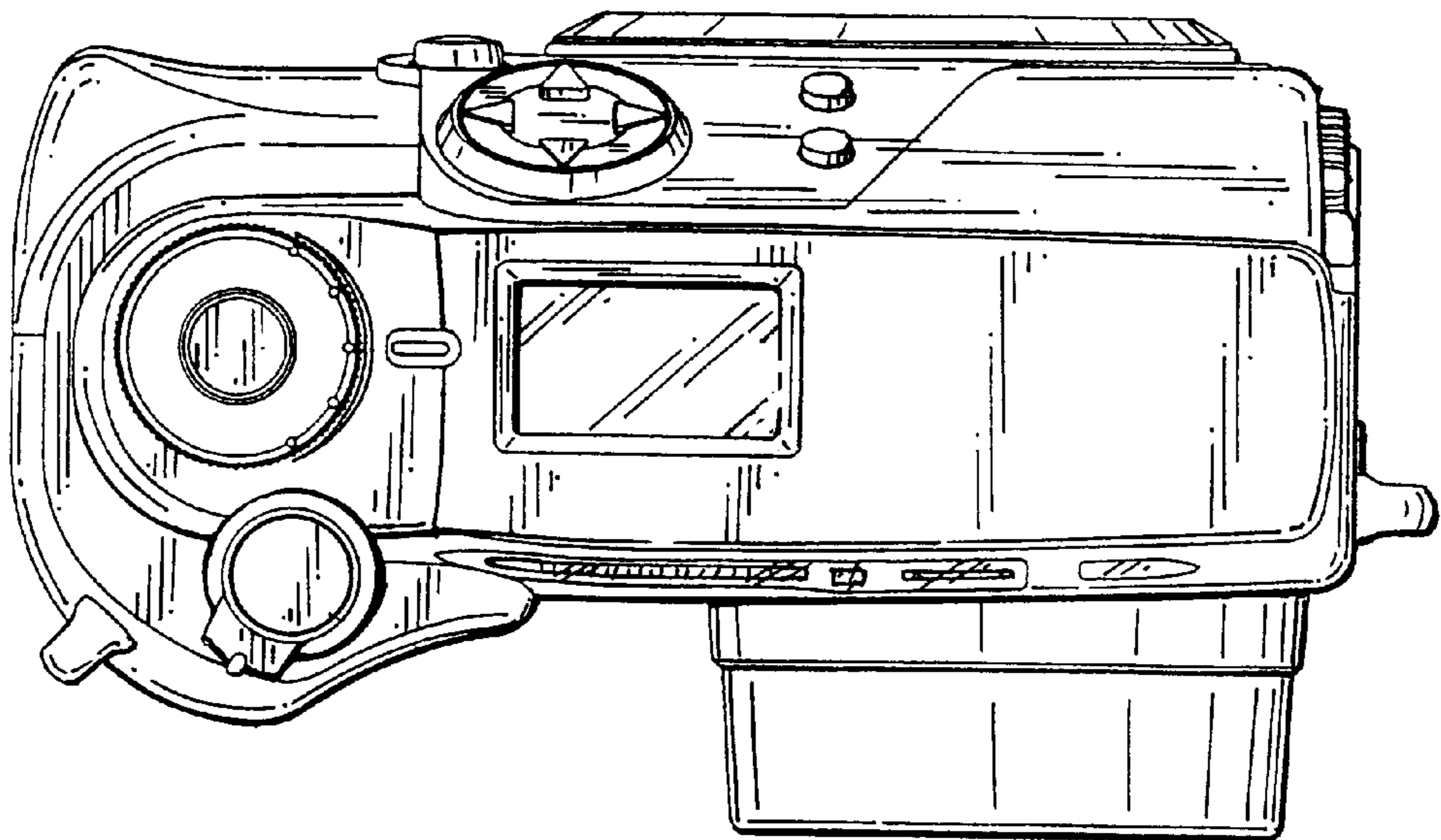


FIG. 3

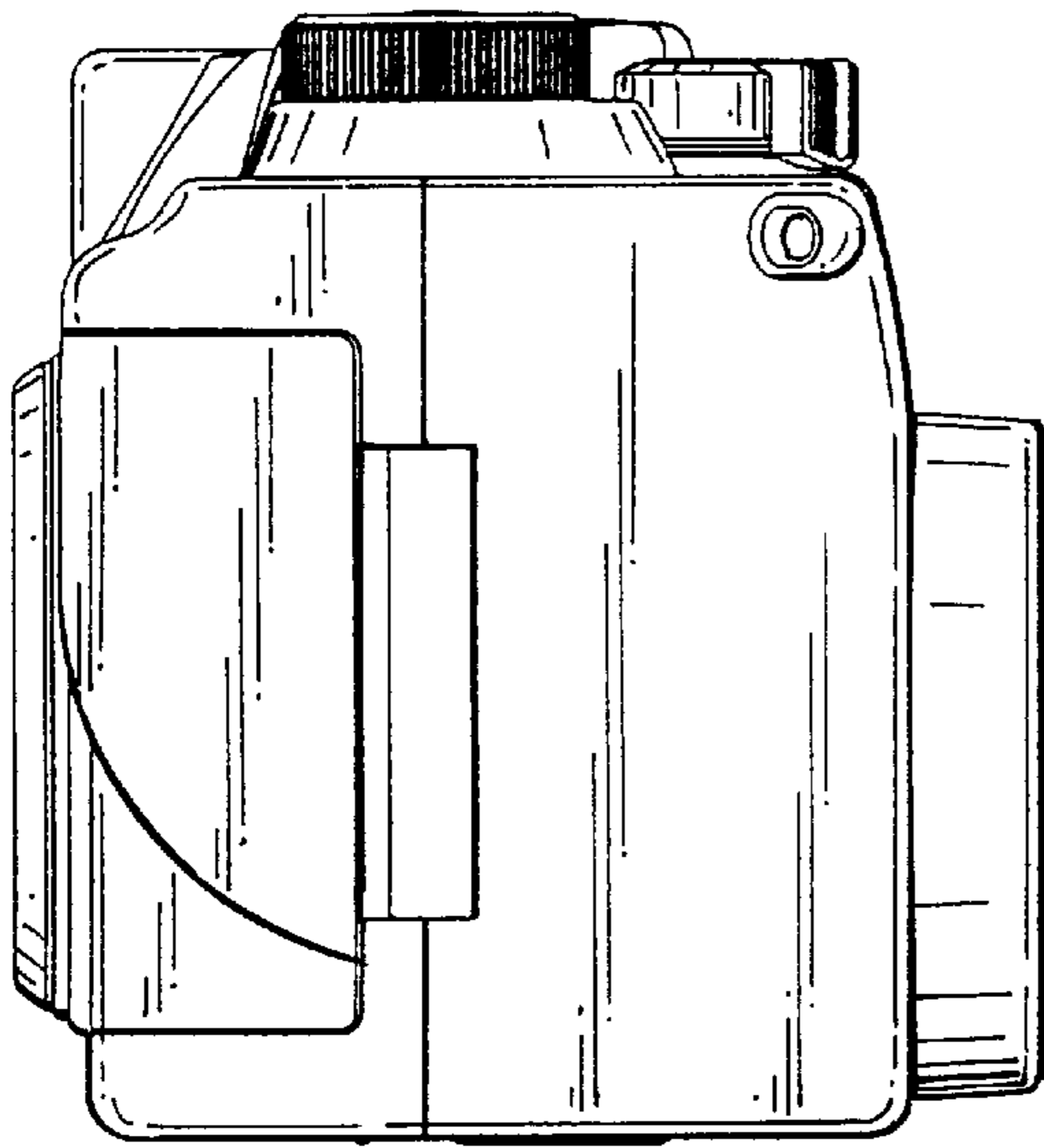


FIG. 4

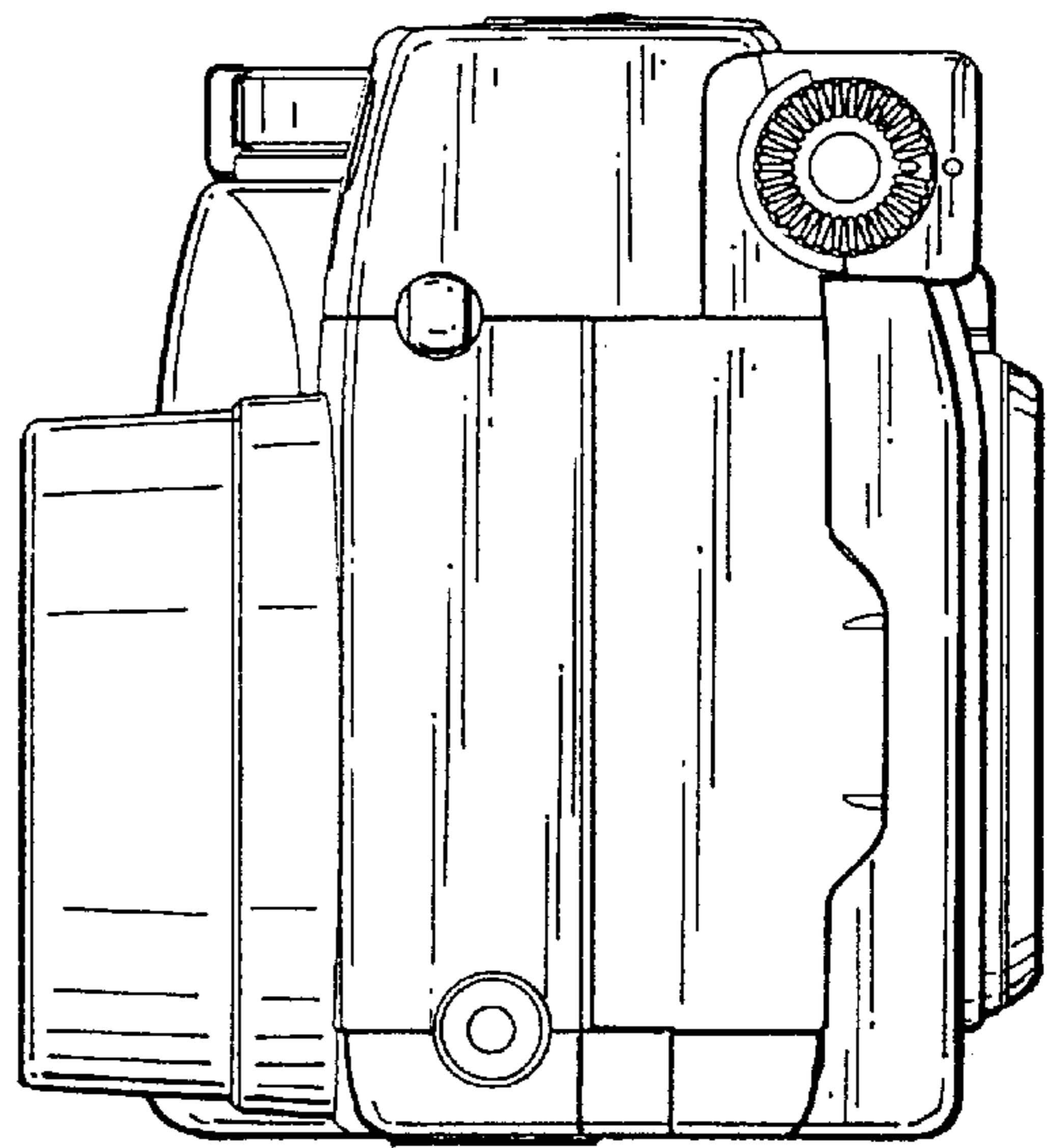


FIG. 5

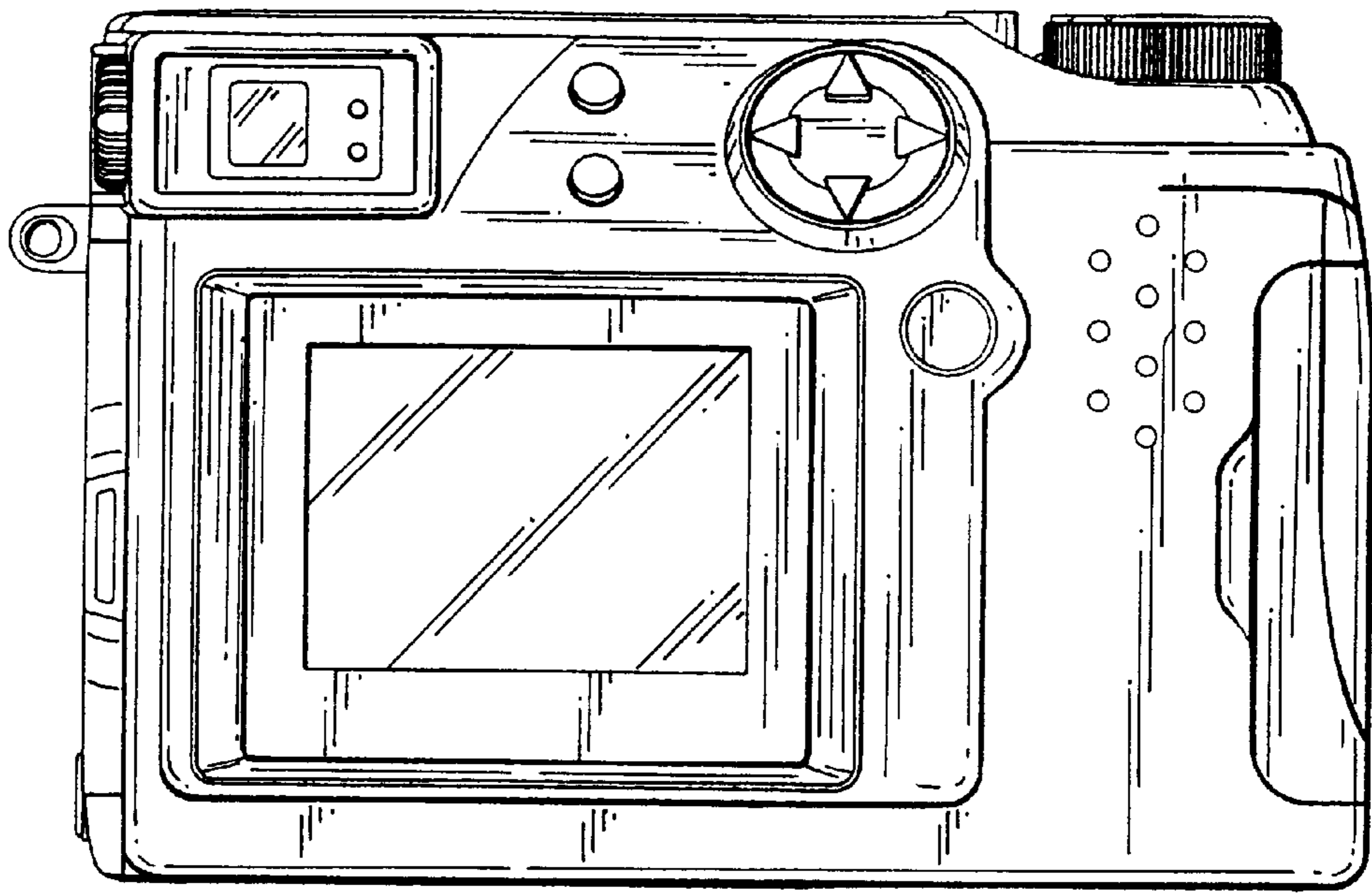


FIG. 6

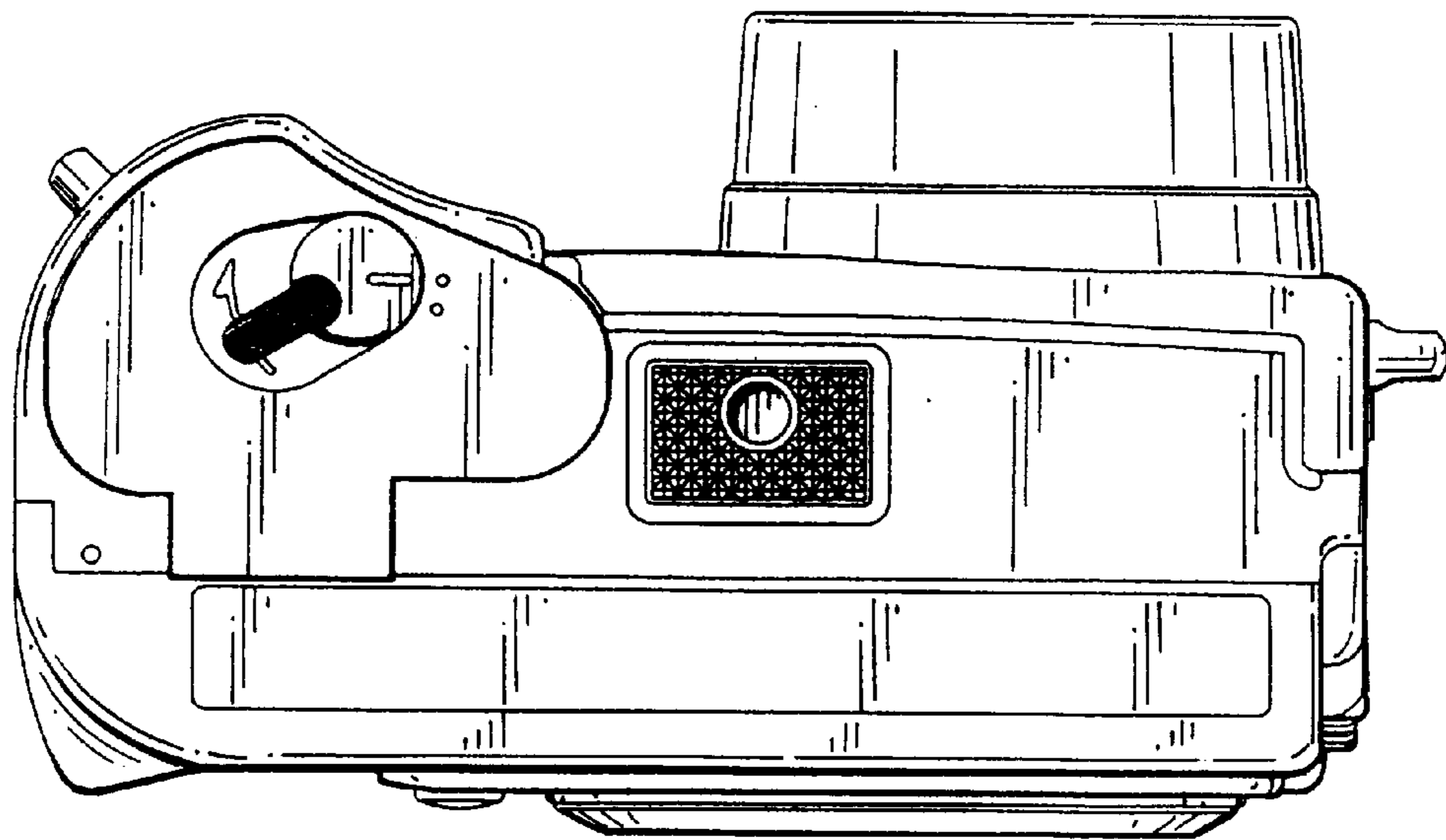


FIG. 7