



US00D424082S

**United States Patent** [19]  
**Nagaoka**

[11] **Patent Number: Des. 424,082**

[45] **Date of Patent: \*\* May 2, 2000**

[54] **BINOCULARS**

[75] Inventor: **Yasuki Nagaoka**, Ohmiya, Japan

[73] Assignee: **Nikon Corporation**, Tokyo, Japan

[\*\*] Term: **14 Years**

[21] Appl. No.: **29/106,313**

[22] Filed: **Jun. 15, 1999**

[30] **Foreign Application Priority Data**

Dec. 22, 1998 [JP] Japan ..... 10-37138  
Dec. 22, 1998 [JP] Japan ..... 10-37139

[51] **LOC (7) Cl.** ..... **16-06**

[52] **U.S. Cl.** ..... **D16/133**

[58] **Field of Search** ..... D16/130, 133;  
359/407, 408, 409, 410, 411, 412, 413,  
414, 415, 416, 417, 418

[56] **References Cited**

**U.S. PATENT DOCUMENTS**

D. 223,298 4/1972 Senda et al. .... D16/133  
D. 359,972 7/1995 Takahashi ..... D16/133  
D. 395,055 6/1998 Lee ..... D16/133  
D. 395,906 7/1998 Konno ..... D16/133

D. 412,177 7/1999 Fujii ..... D16/133  
4,601,552 7/1986 Iessmore ..... 359/413

*Primary Examiner*—Paula A. Mortimer  
*Attorney, Agent, or Firm*—Oliff & Berridge, PLC

[57] **CLAIM**

The ornamental design for binoculars, as shown.

**DESCRIPTION**

FIG. 1 is a front elevational view of binoculars showing a first embodiment of our new design;  
FIG. 2 is a left side elevational view thereof;  
FIG. 3 is a rear elevational view thereof;  
FIG. 4 is a right side elevational view thereof;  
FIG. 5 is a top plan view thereof;  
FIG. 6 is a bottom plan view thereof;  
FIG. 7 is a front perspective view thereof;  
FIG. 8 is a front elevational view of binoculars showing a second embodiment of our new design;  
FIG. 9 is a left side elevational view thereof;  
FIG. 10 is a rear elevational view thereof;  
FIG. 11 is a right side elevational view thereof;  
FIG. 12 is a top plan view thereof;  
FIG. 13 is a bottom plan view thereof; and,  
FIG. 14 is a front perspective view thereof.

**1 Claim, 8 Drawing Sheets**



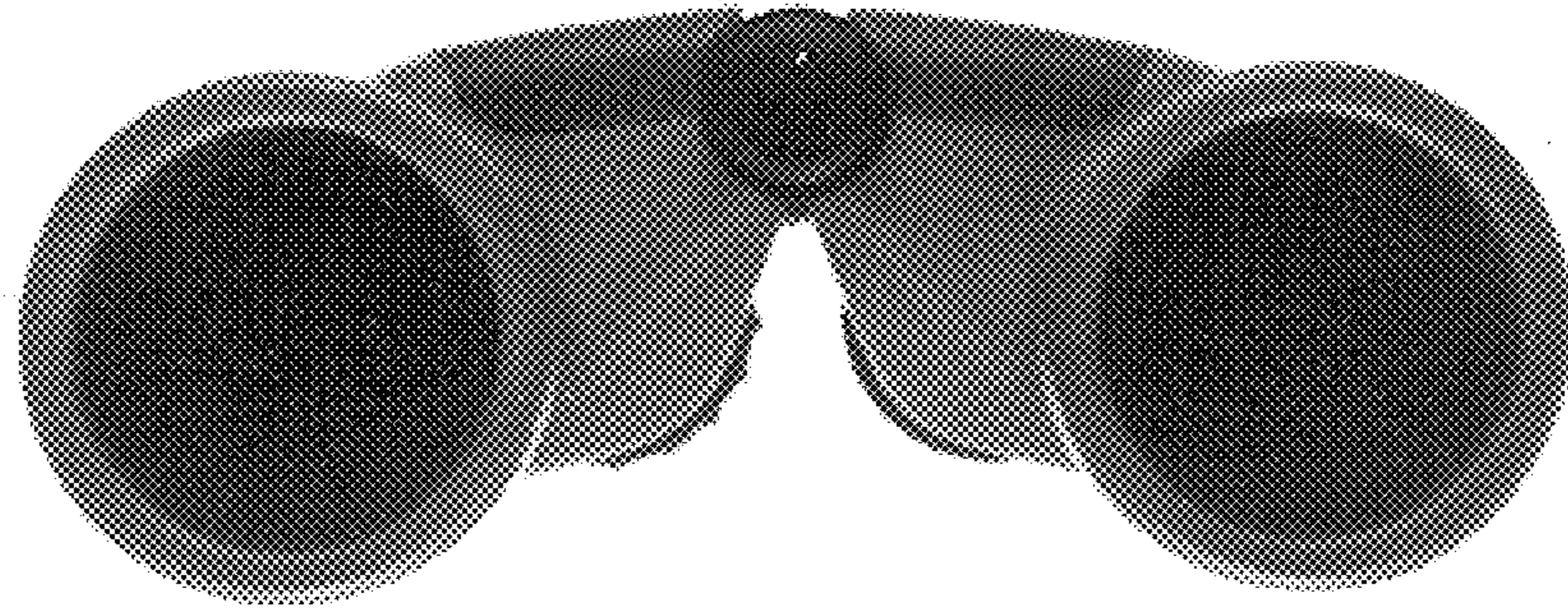


FIG. 1

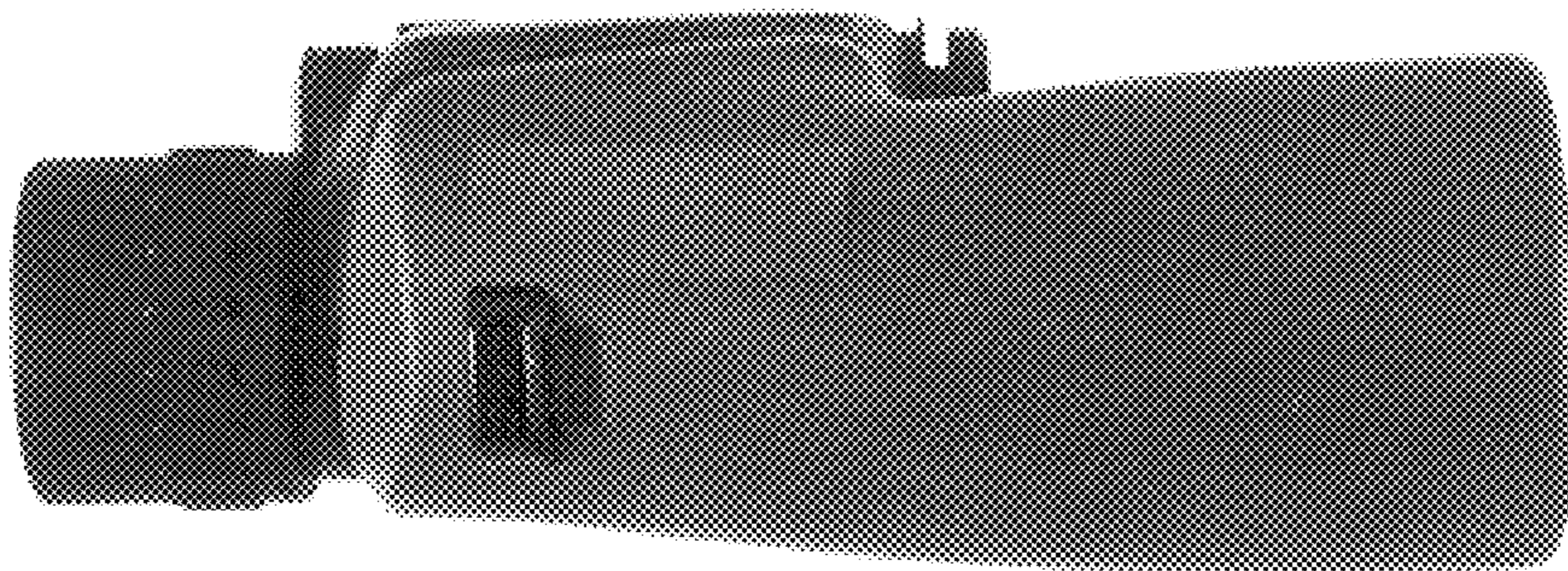


FIG. 2

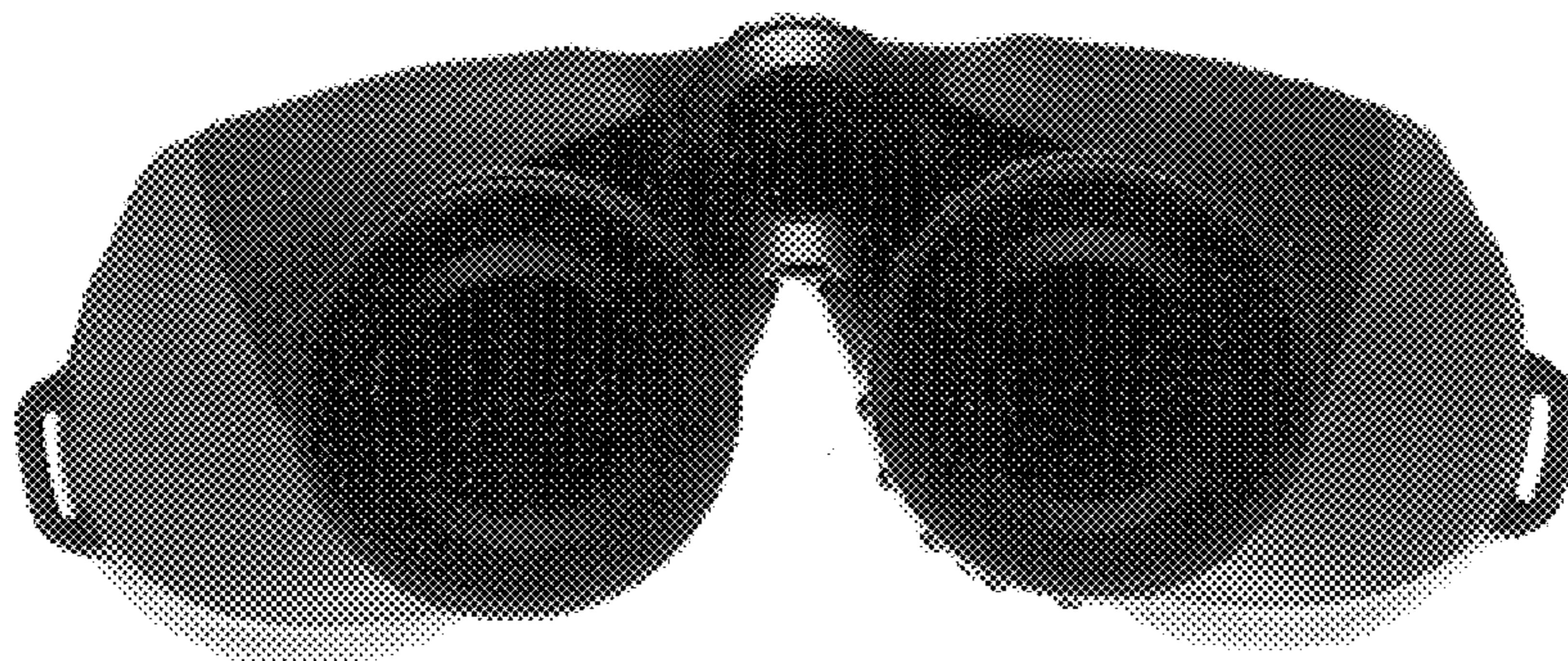


FIG. 3

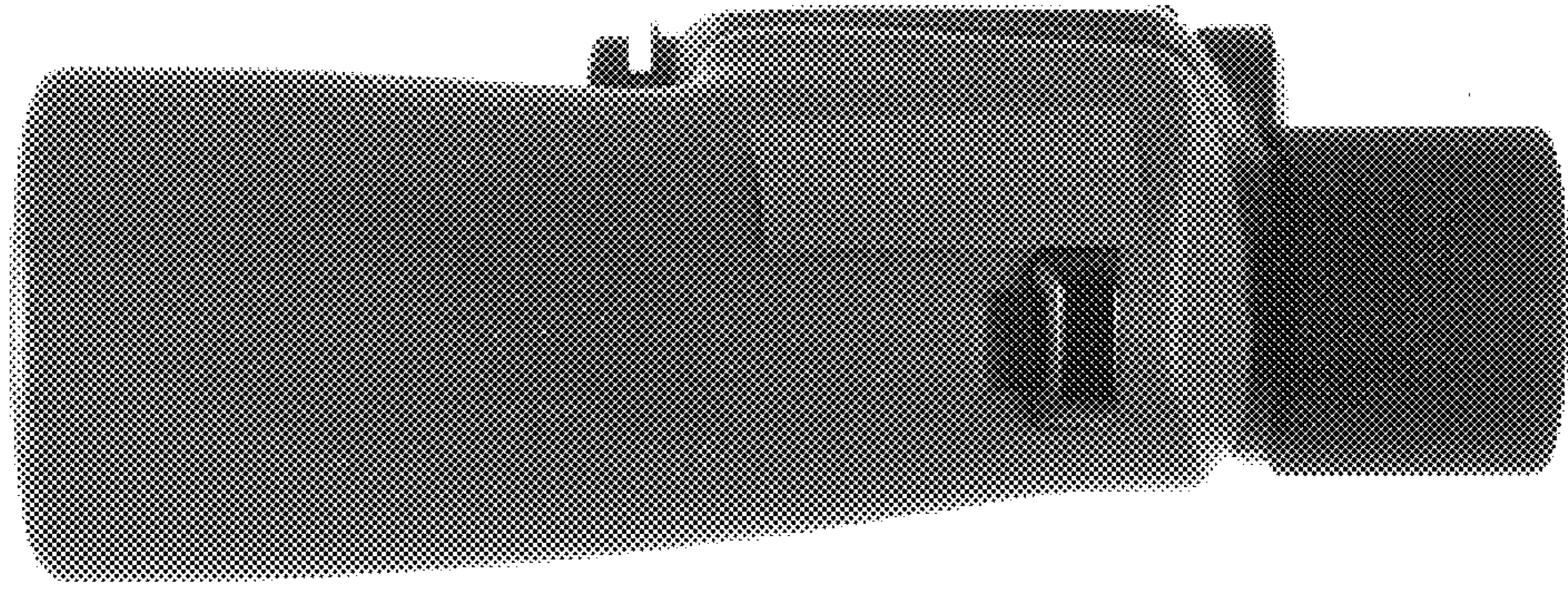


FIG. 4

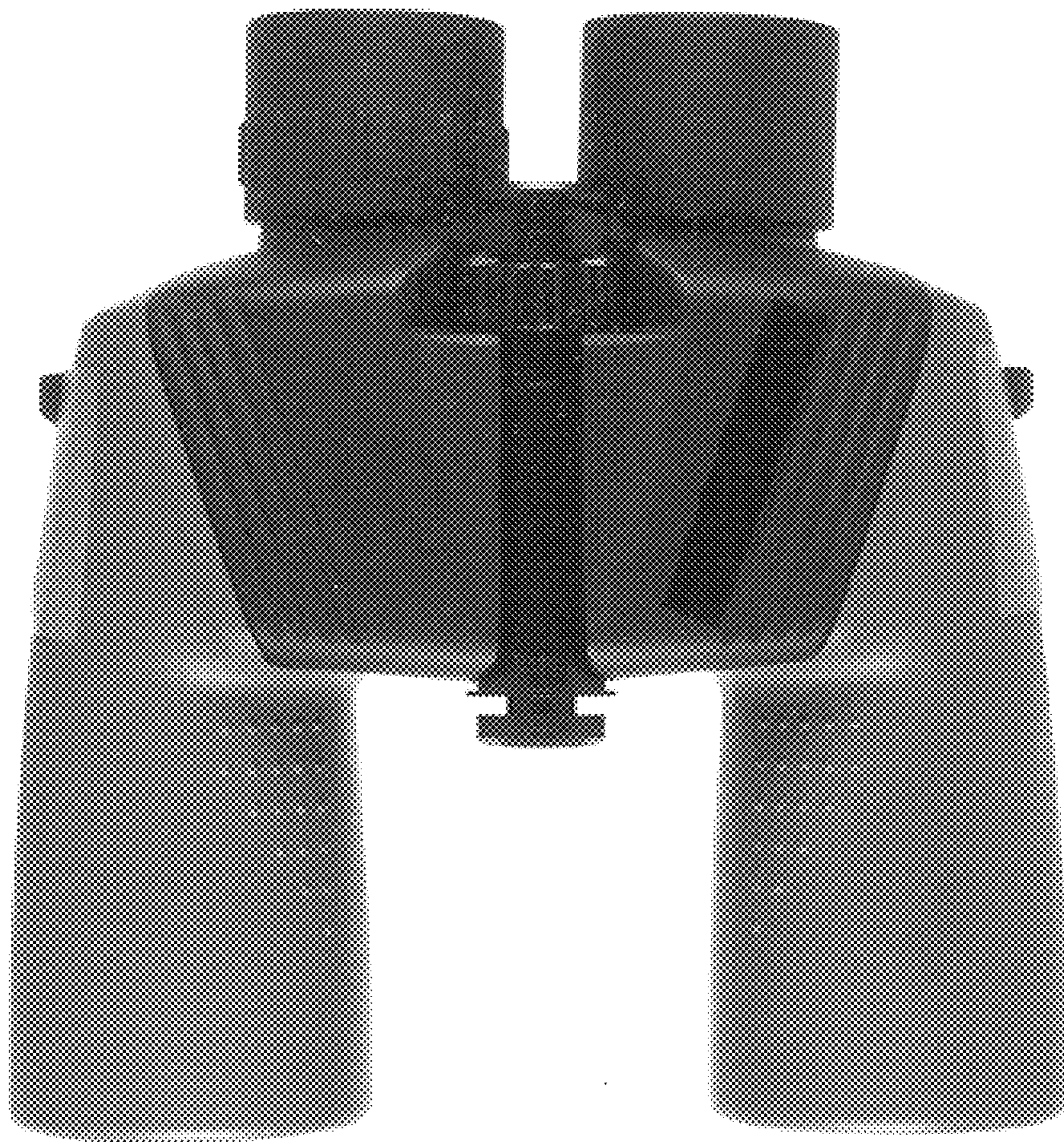


FIG. 5

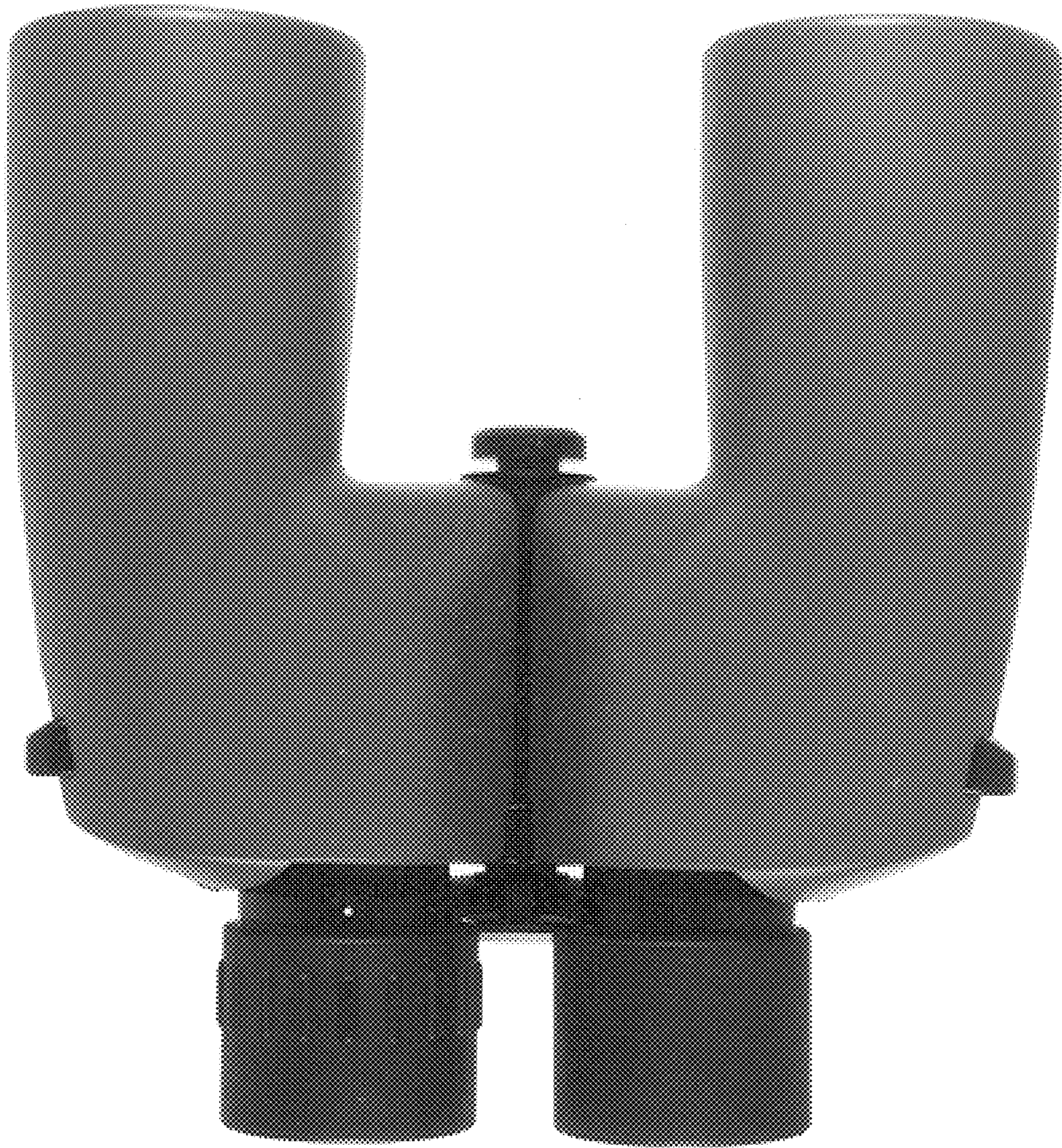


FIG. 6



FIG. 7

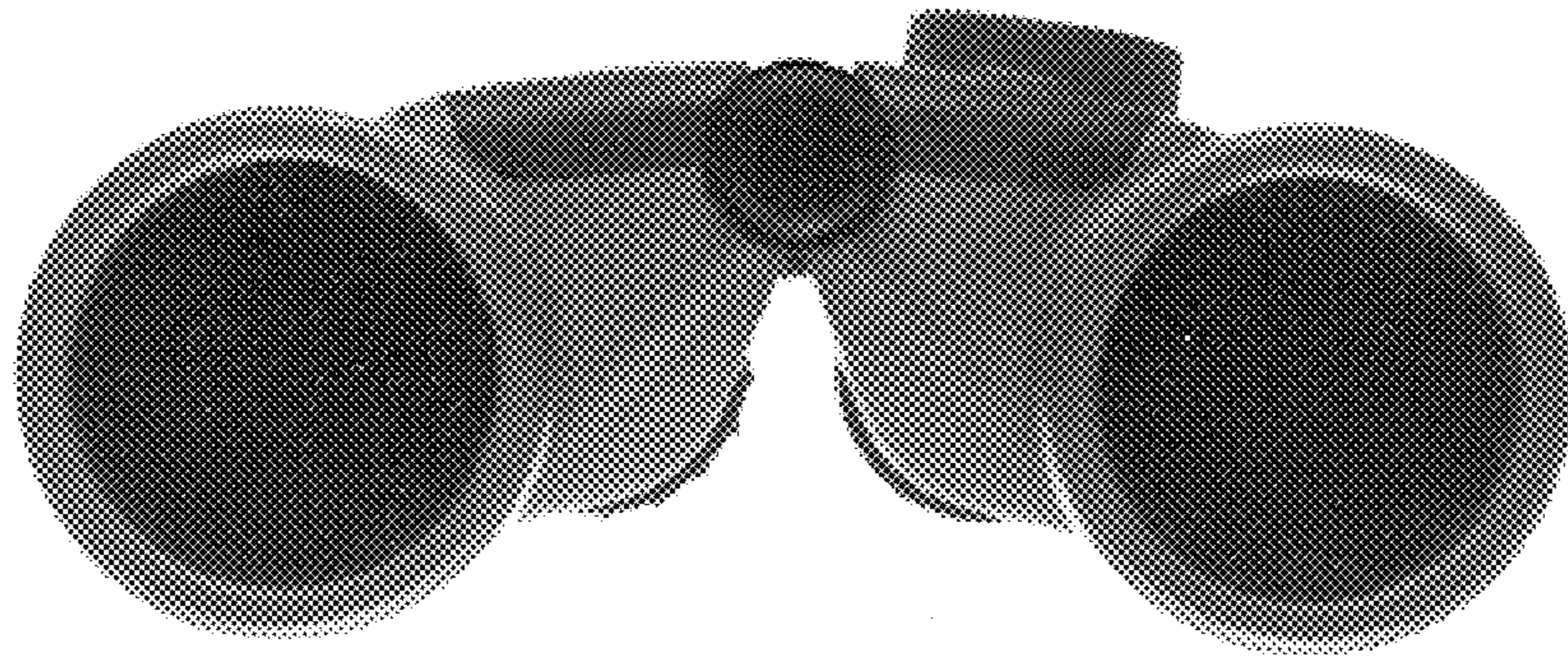


FIG. 8

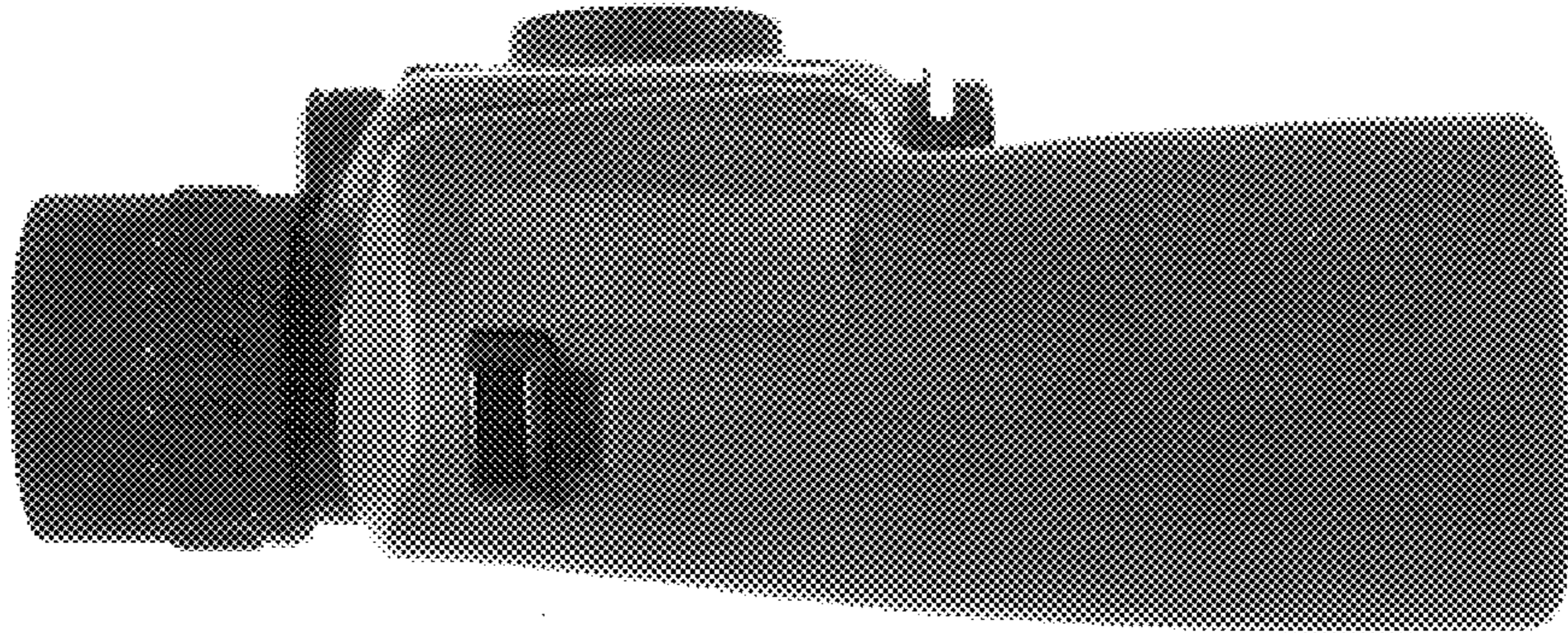


FIG. 9

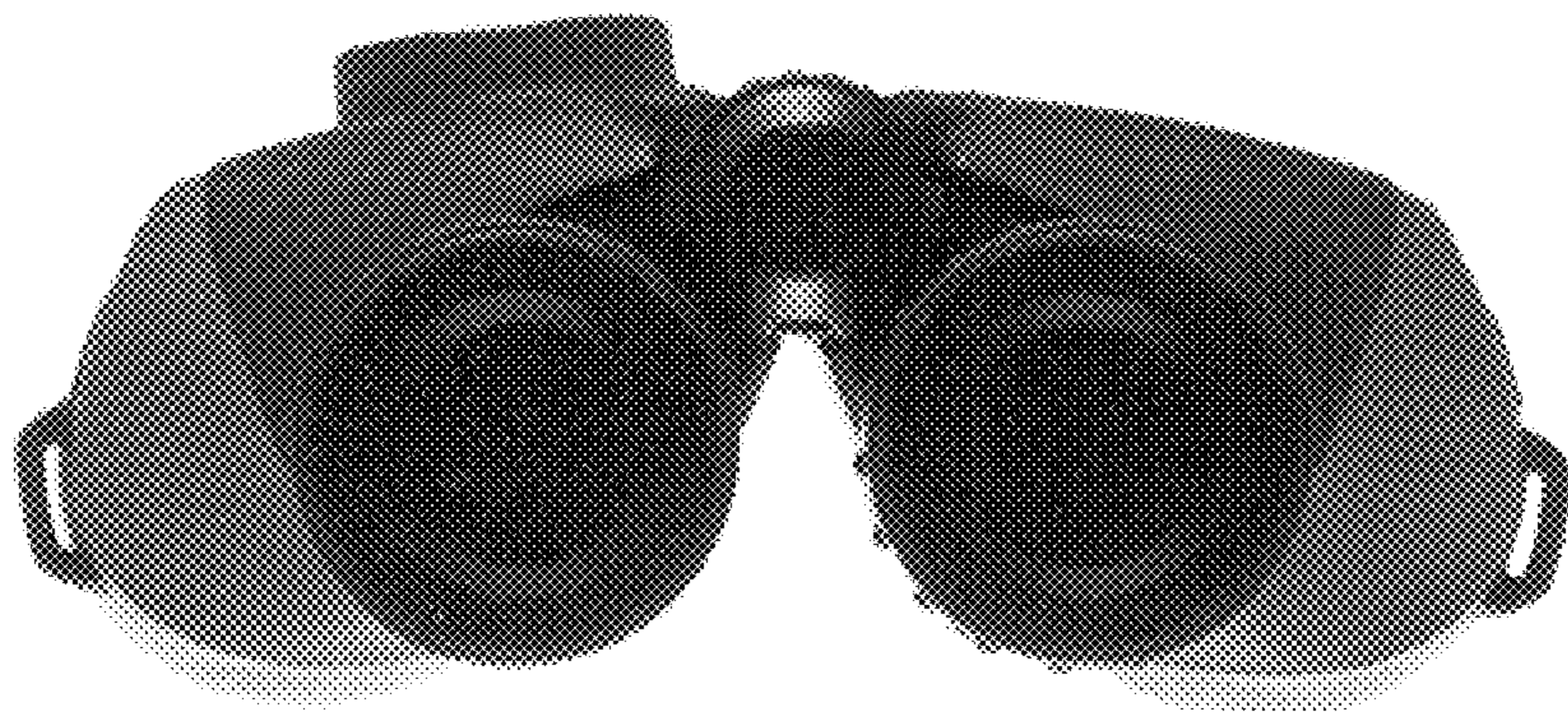


FIG. 10

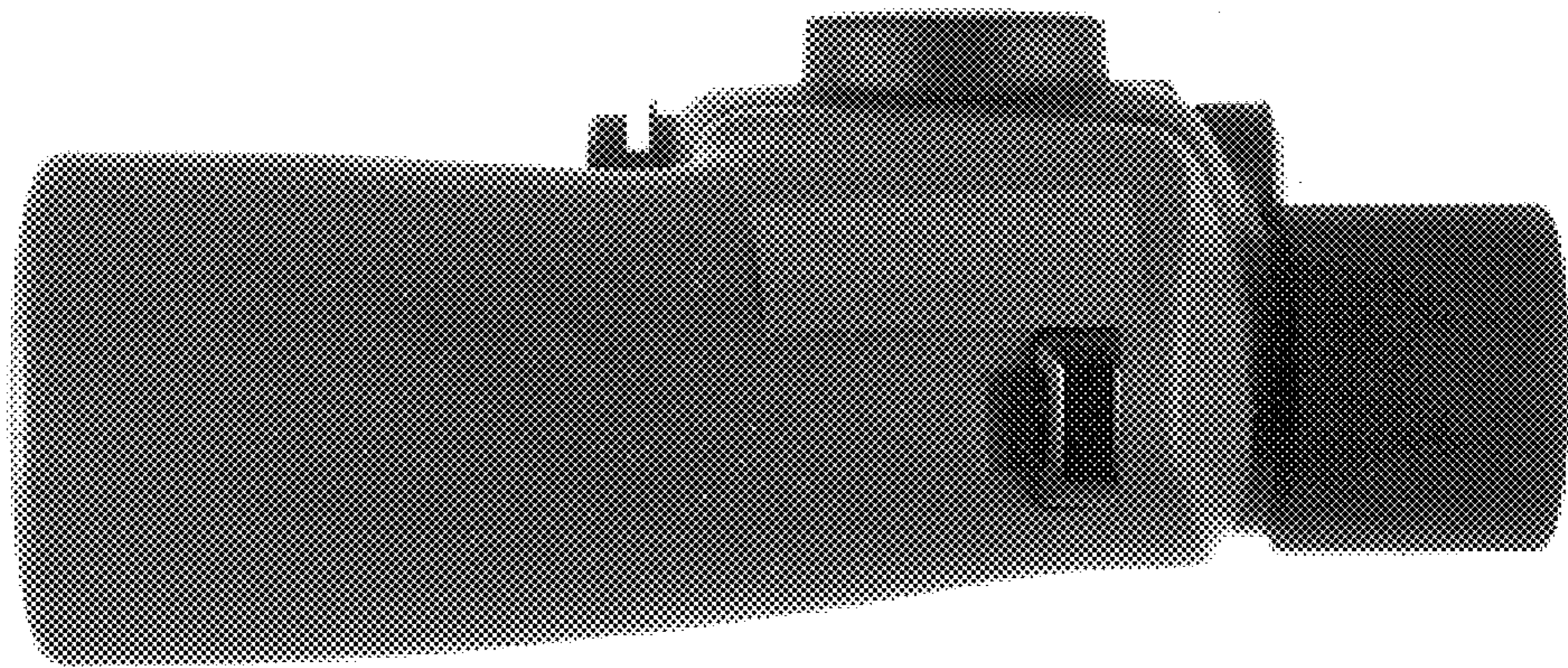


FIG. 11



FIG. 12

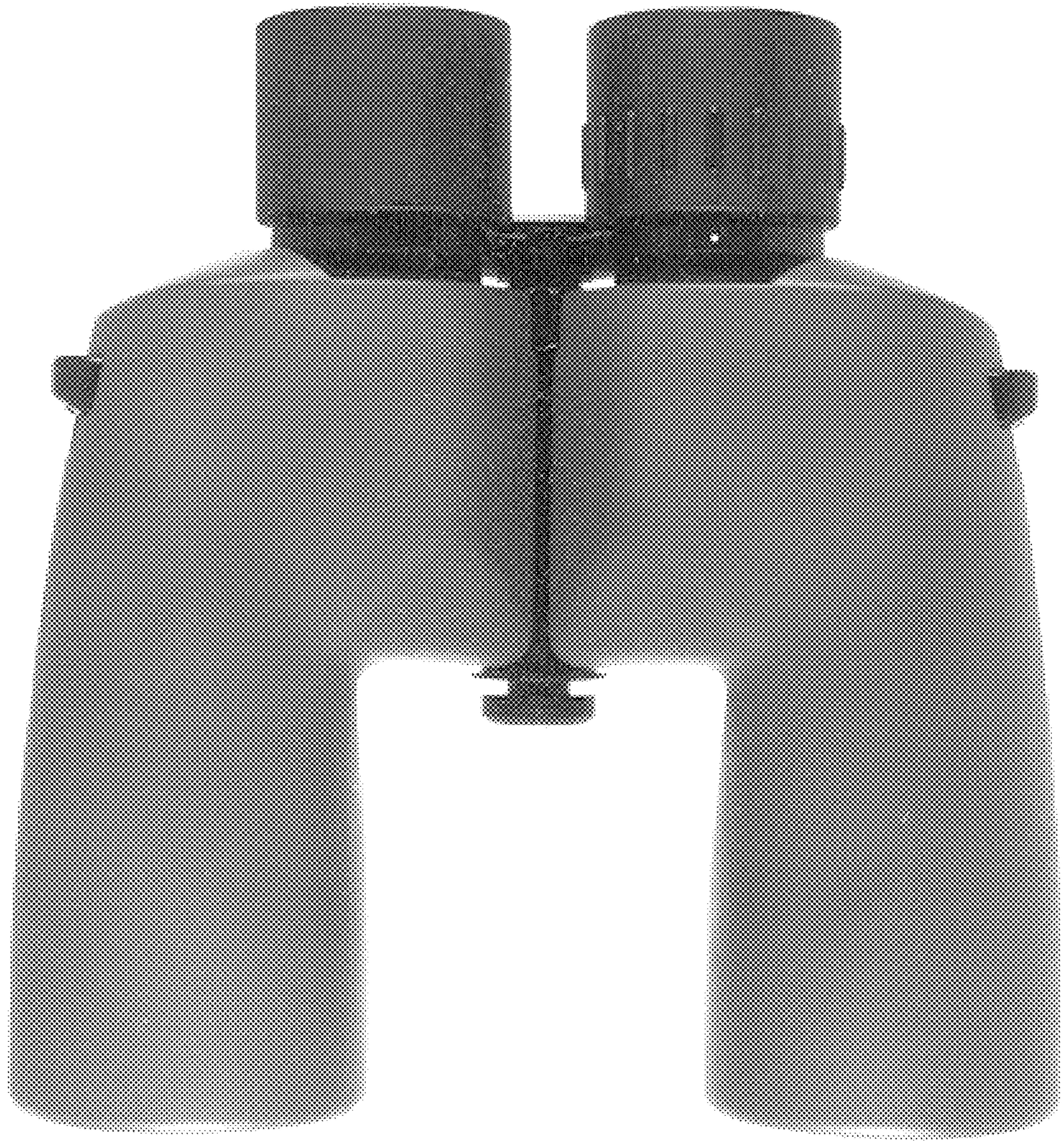


FIG. 13





FIG. 14