



US00D424081S

United States Patent [19]
Gordon

[11] **Patent Number: Des. 424,081**
[45] **Date of Patent: ** May 2, 2000**

[54] **HAND-HELD THERMAL IMAGING APPARATUS**

3,704,342 11/1972 Stoddard et al. 348/164
5,949,582 9/1999 Coombs 359/630

[75] Inventor: **Kerry W. Gordon**, Mendham, N.J.

Primary Examiner—Adir Aronovich
Attorney, Agent, or Firm—R. Gale Rhodes, Jr.

[73] Assignee: **Cairns & Brother Inc.**, Clifton, N.J.

[57] **CLAIM**

[**] Term: **14 Years**

The ornamental design for a hand-held thermal imaging apparatus, as shown and described.

[21] Appl. No.: **29/110,868**

DESCRIPTION

[22] Filed: **Sep. 16, 1999**

[51] **LOC (7) Cl.** **16-06**

[52] **U.S. Cl.** **D16/130; D16/231**

[58] **Field of Search** D16/130, 133,
D16/200, 201, 202, 203, 208, 221, 225,
231; 348/164, 168; 359/202, 350, 354,
630; 250/330, 332, 334

FIG. 1 is a front elevational view of the hand-held thermal imaging apparatus;

FIG. 2 is a top view thereof;

FIG. 3 is a bottom view thereof;

FIG. 4 is a left side elevational view thereof;

FIG. 5 is a right side elevational view thereof;

FIG. 6 is a rear elevational view thereof;

FIG. 7 is a front perspective view thereof showing the viewing screen in the horizontal position; and,

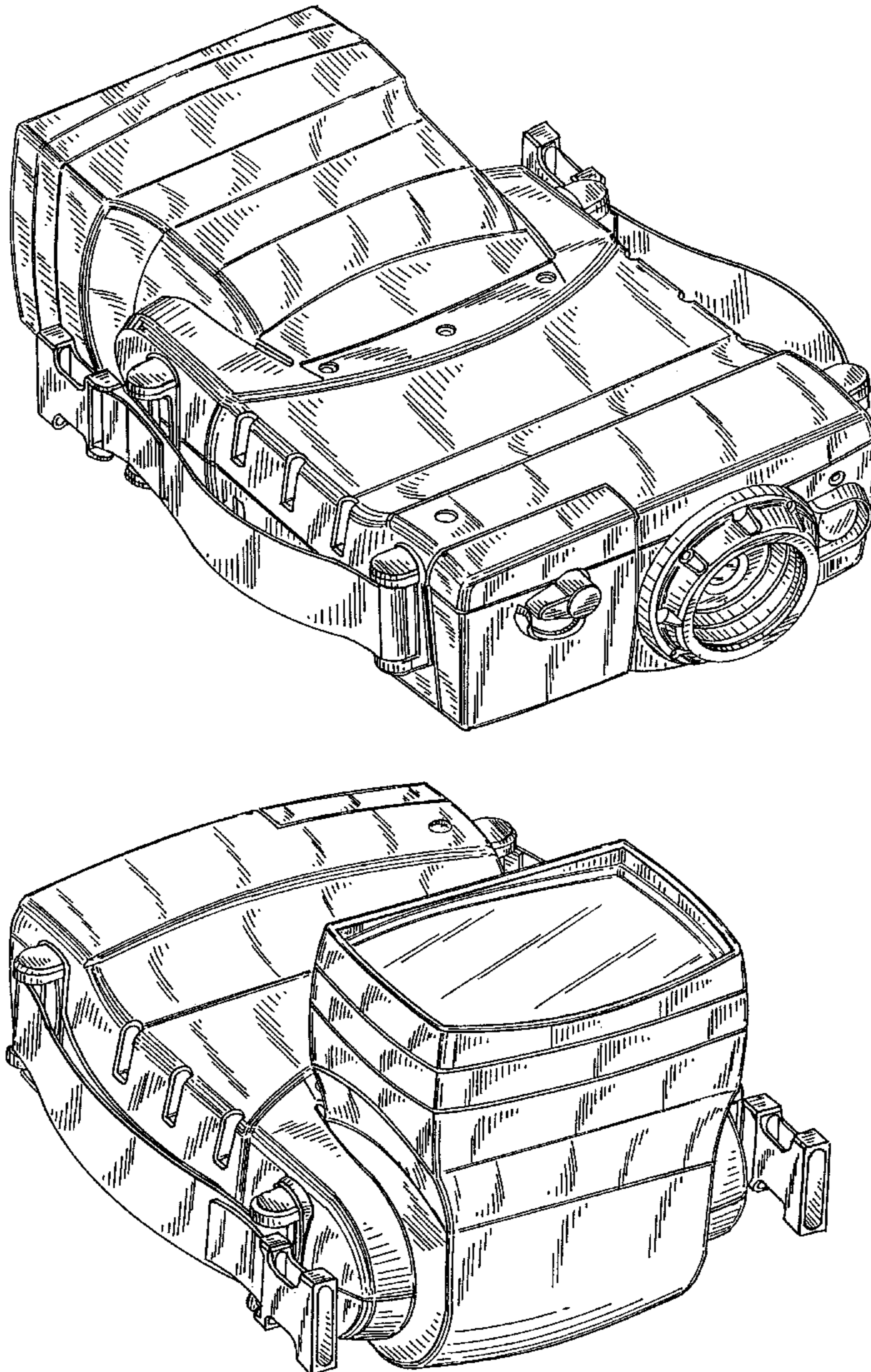
FIG. 8 is a rear perspective view thereof showing the viewing screen in the vertical position.

[56] **References Cited**

U.S. PATENT DOCUMENTS

D. 215,851 11/1969 Heining et al. D16/130
D. 419,172 1/2000 Saeki et al. D16/231

1 Claim, 8 Drawing Sheets



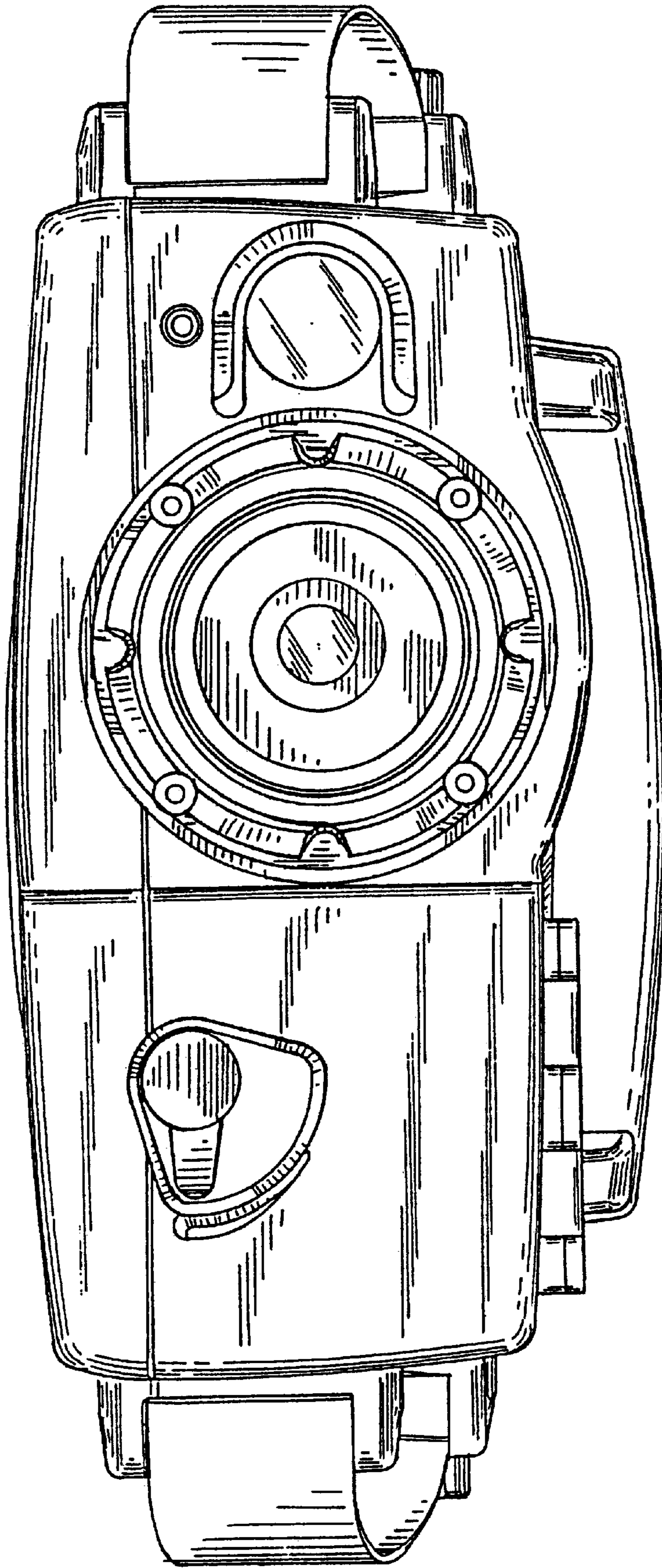


FIG. 1

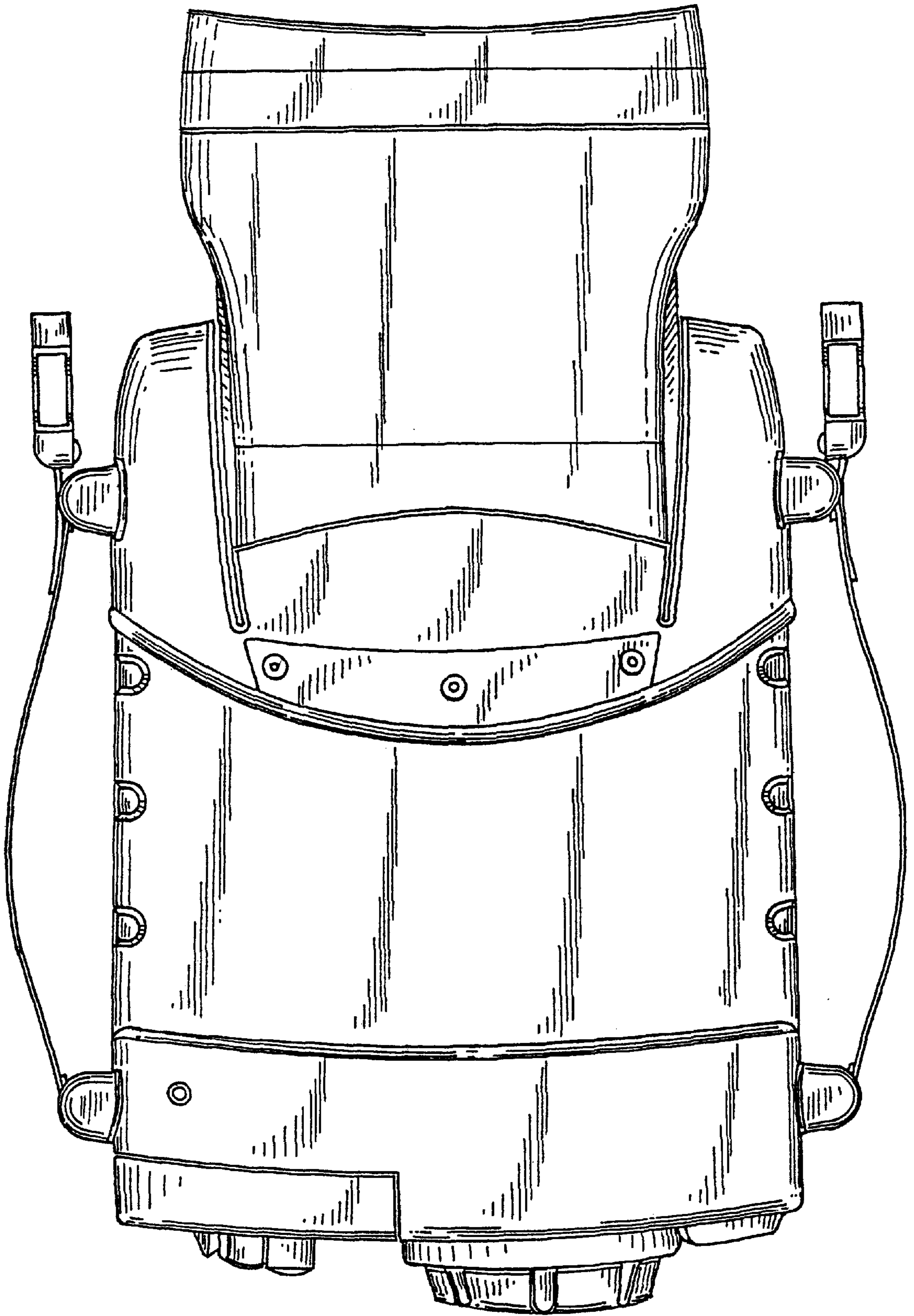


FIG. 2

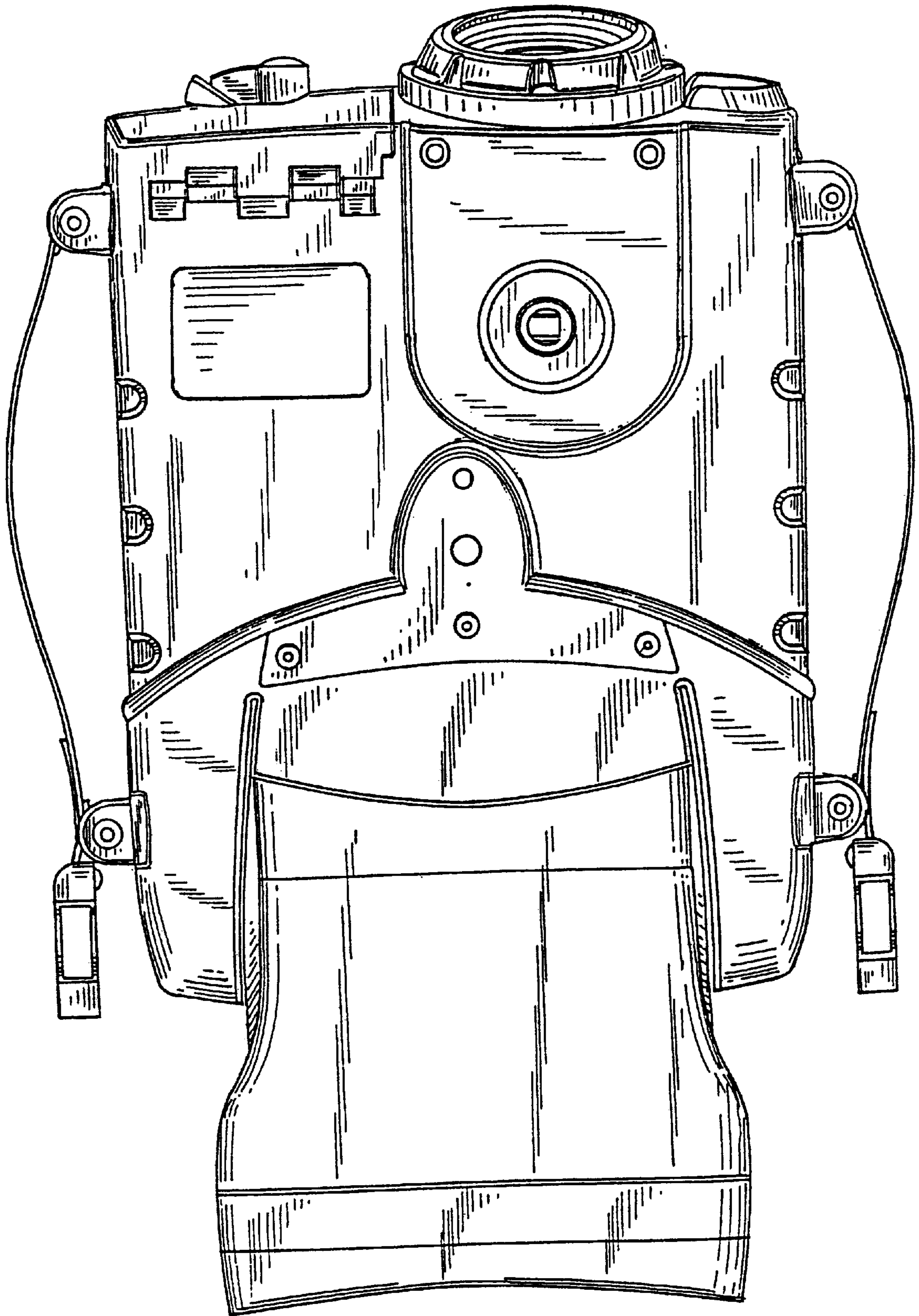


FIG. 3

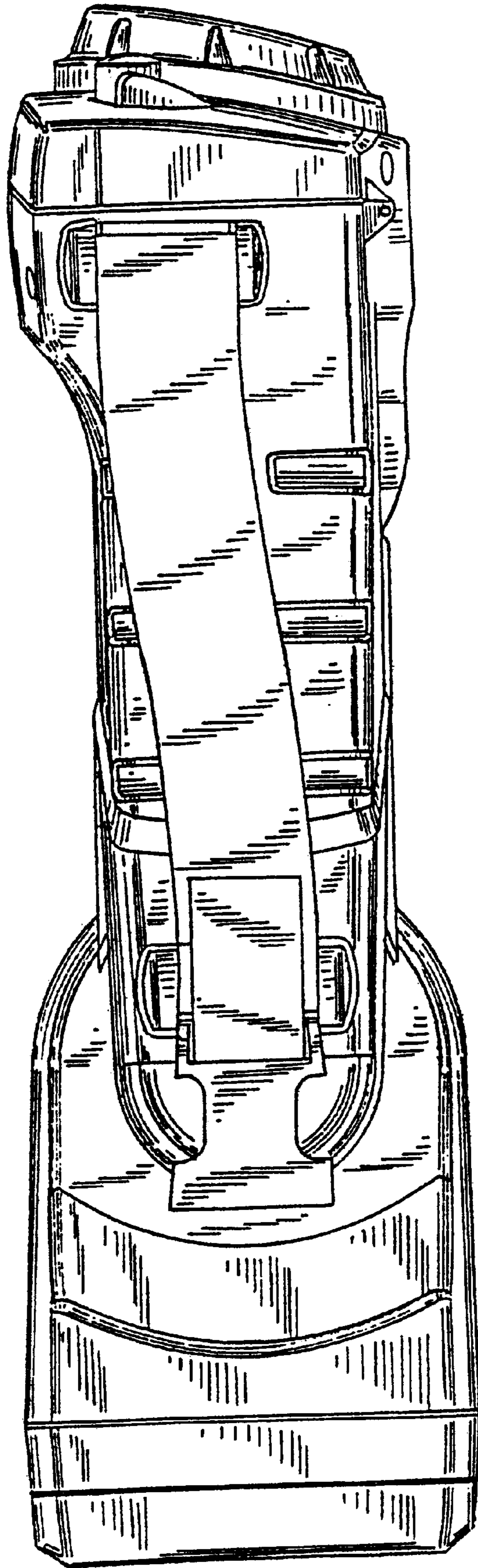


FIG. 4

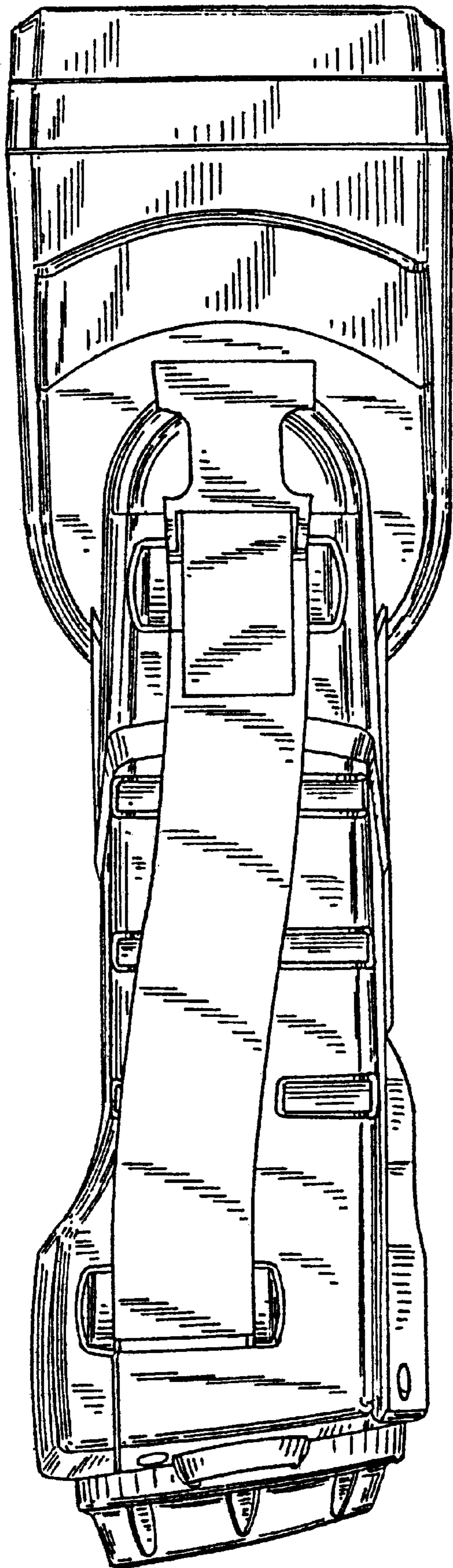


FIG. 5

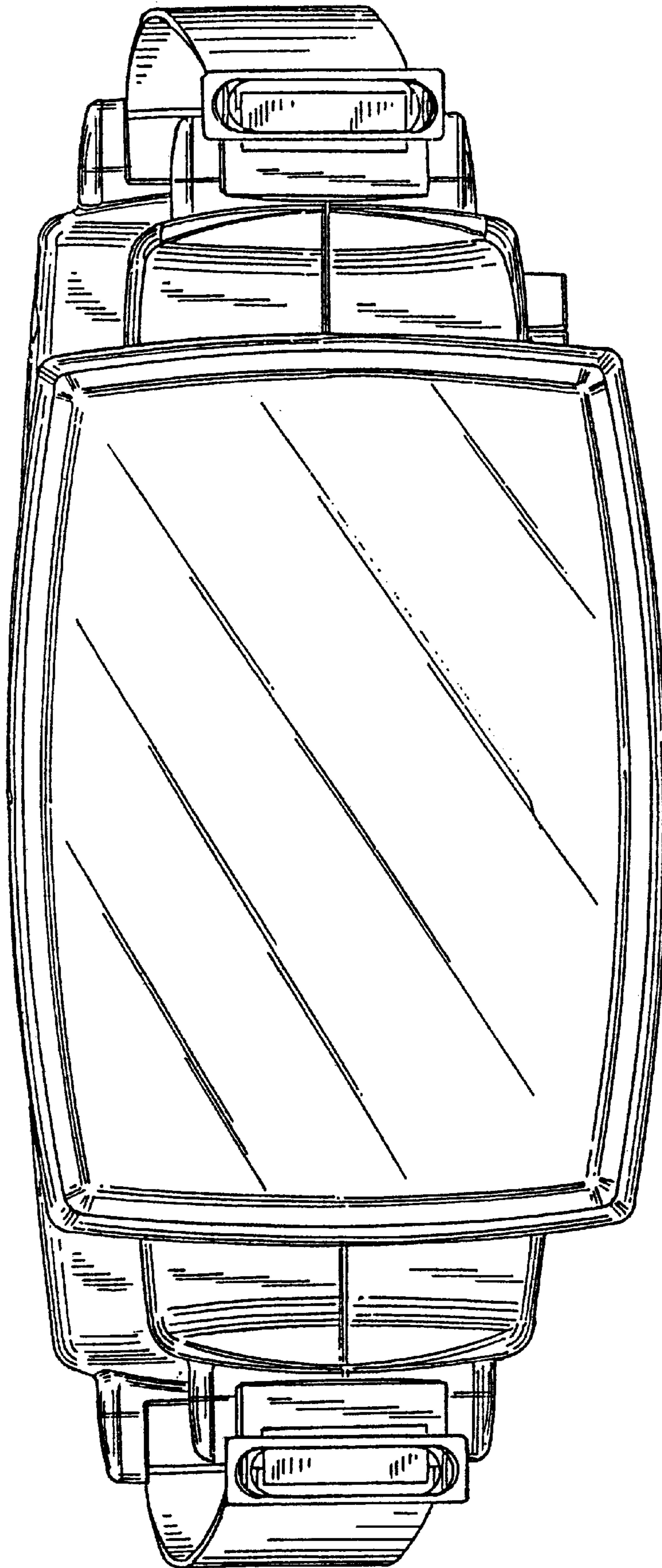


FIG. 6

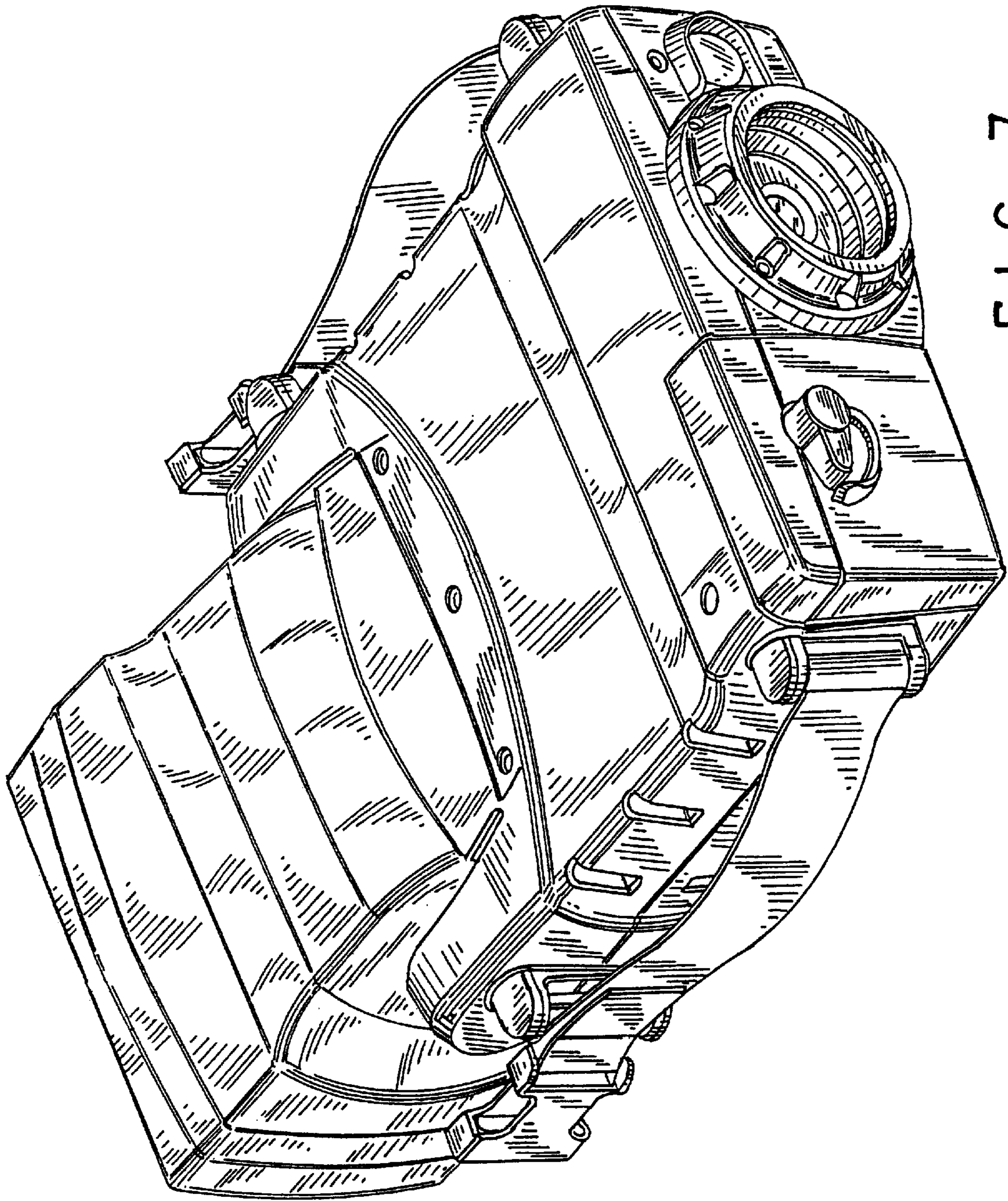


FIG. 7

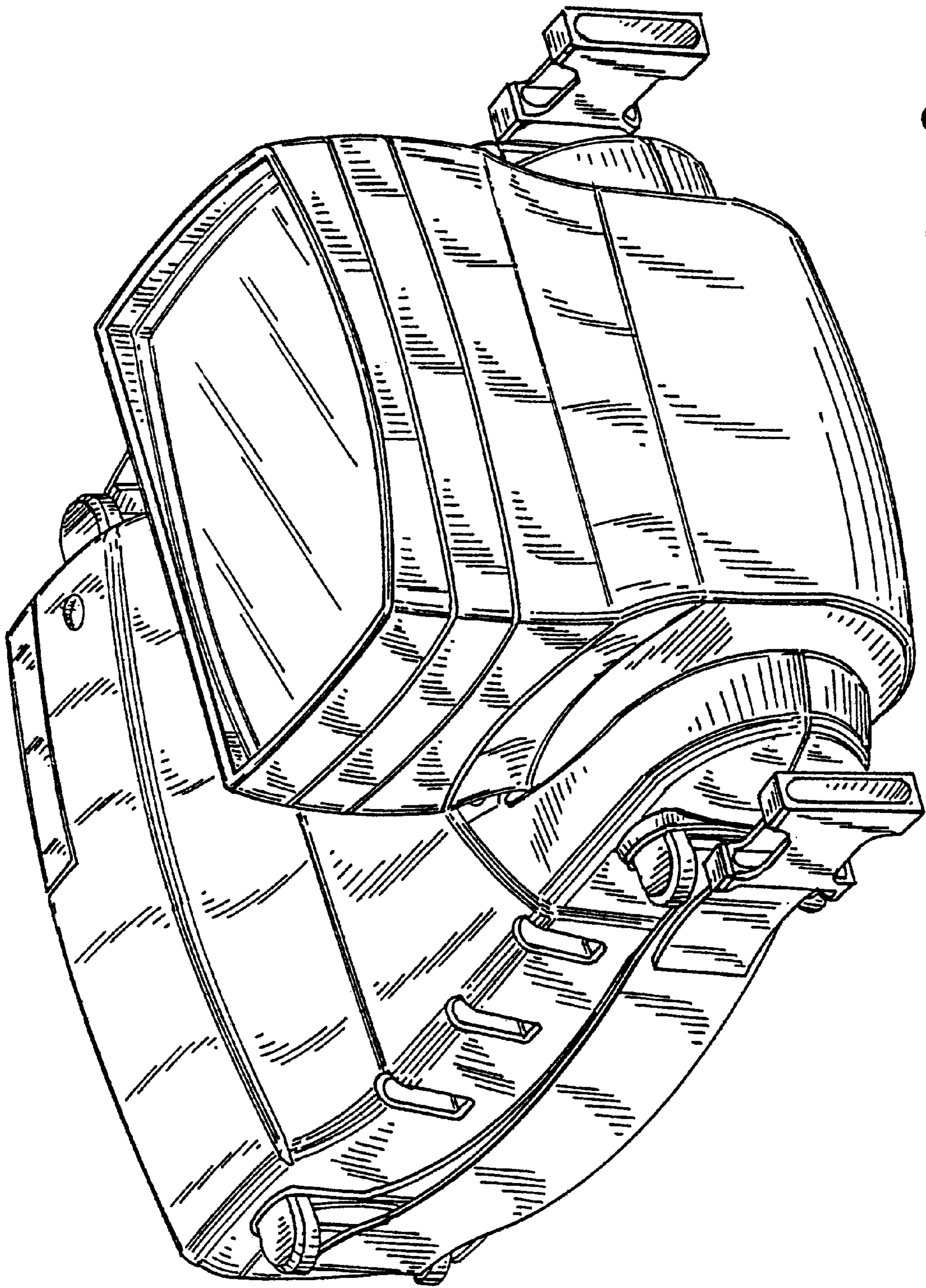


FIG. 8