



US00D424078S

United States Patent [19]
Chin-Chang et al.

[11] **Patent Number: Des. 424,078**

[45] **Date of Patent: ** May 2, 2000**

[54] **STRAPPING MACHINE FRAME**

D. 376,375 12/1996 Sakaki D15/145 X

[75] Inventors: **Liu Chin-Chang**, Taichung; **Su Chi-Chan**, Taipei, both of Taiwan

Primary Examiner—Antoine Duval Davis
Attorney, Agent, or Firm—Harrison & Egbert

[73] Assignees: **Tekpak Corporation**, Taichung;
Transpak Equipment Corp., Taipei,
both of Taiwan

[57] **CLAIM**

The ornamental design for a strapping machine frame, as shown and described.

[**] Term: **14 Years**

DESCRIPTION

[21] Appl. No.: **29/101,575**

FIG. 1 is an upper perspective view of a strapping machine frame showing my design.

[22] Filed: **Mar. 8, 1999**

FIG. 2 is an end view thereof;

[51] **LOC (7) Cl.** **15-09**

FIG. 3 is a top view thereof;

[52] **U.S. Cl.** **D15/145**

FIG. 4 is a side view thereof;

[58] **Field of Search** D15/145, 146;
53/589, 399; 100/3, 26, 29, 4

FIG. 5 is a bottom view thereof;

FIG. 6 is an opposite end view thereof; and,

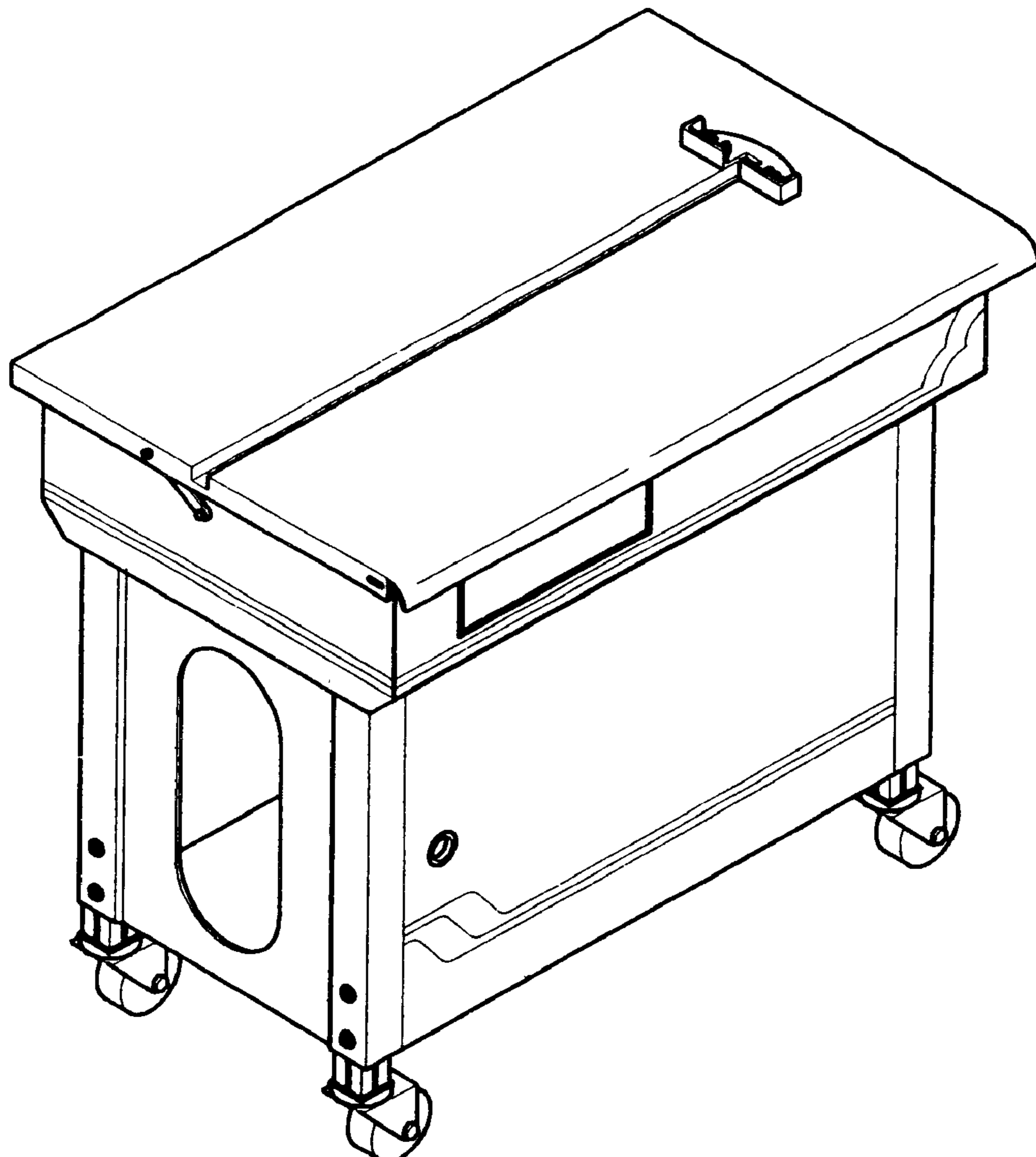
FIG. 7 is an opposite side view thereof.

[56] **References Cited**

U.S. PATENT DOCUMENTS

D. 295,525 5/1988 Sakaki et al. D15/145

1 Claim, 4 Drawing Sheets



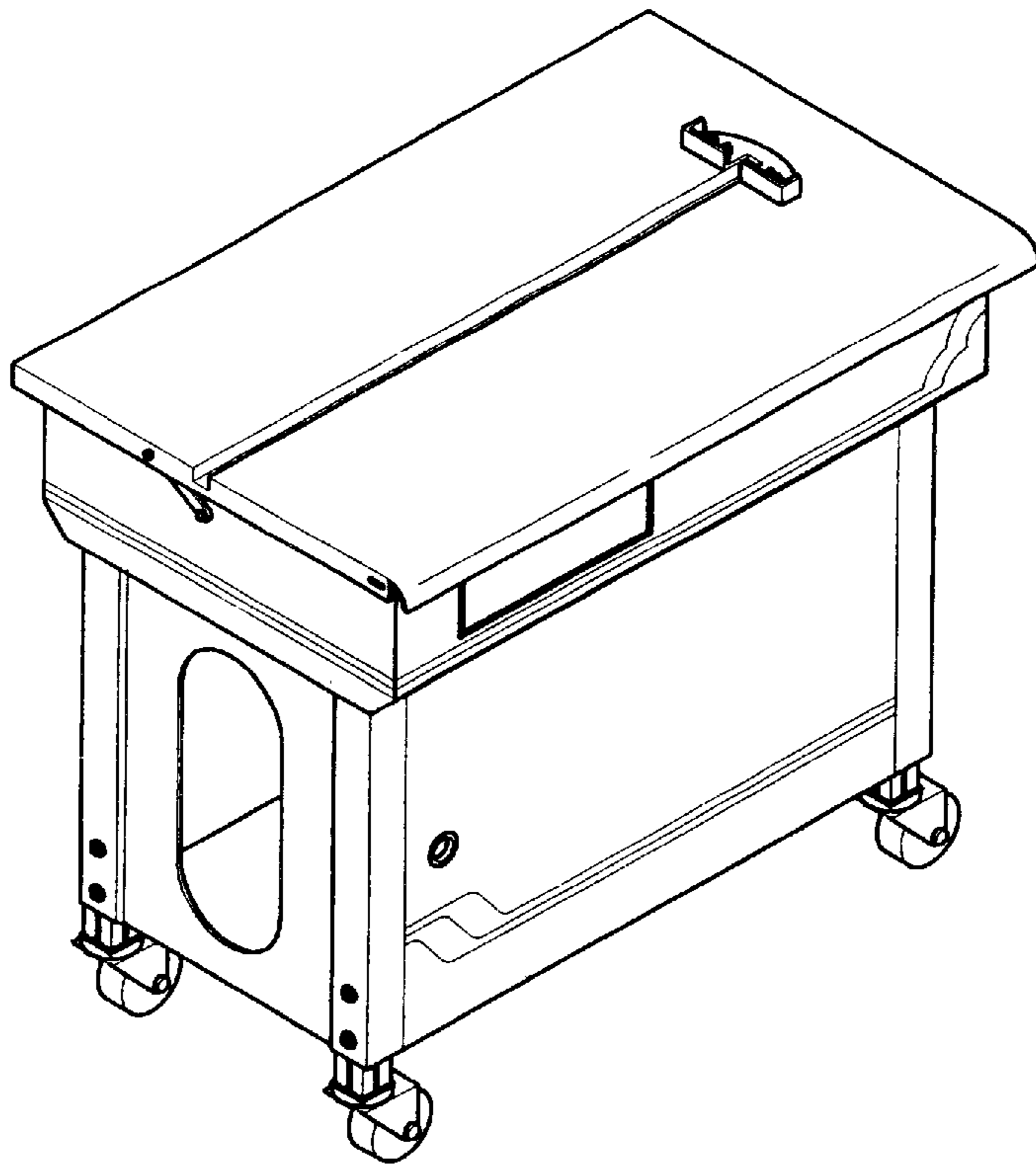


FIG. 1

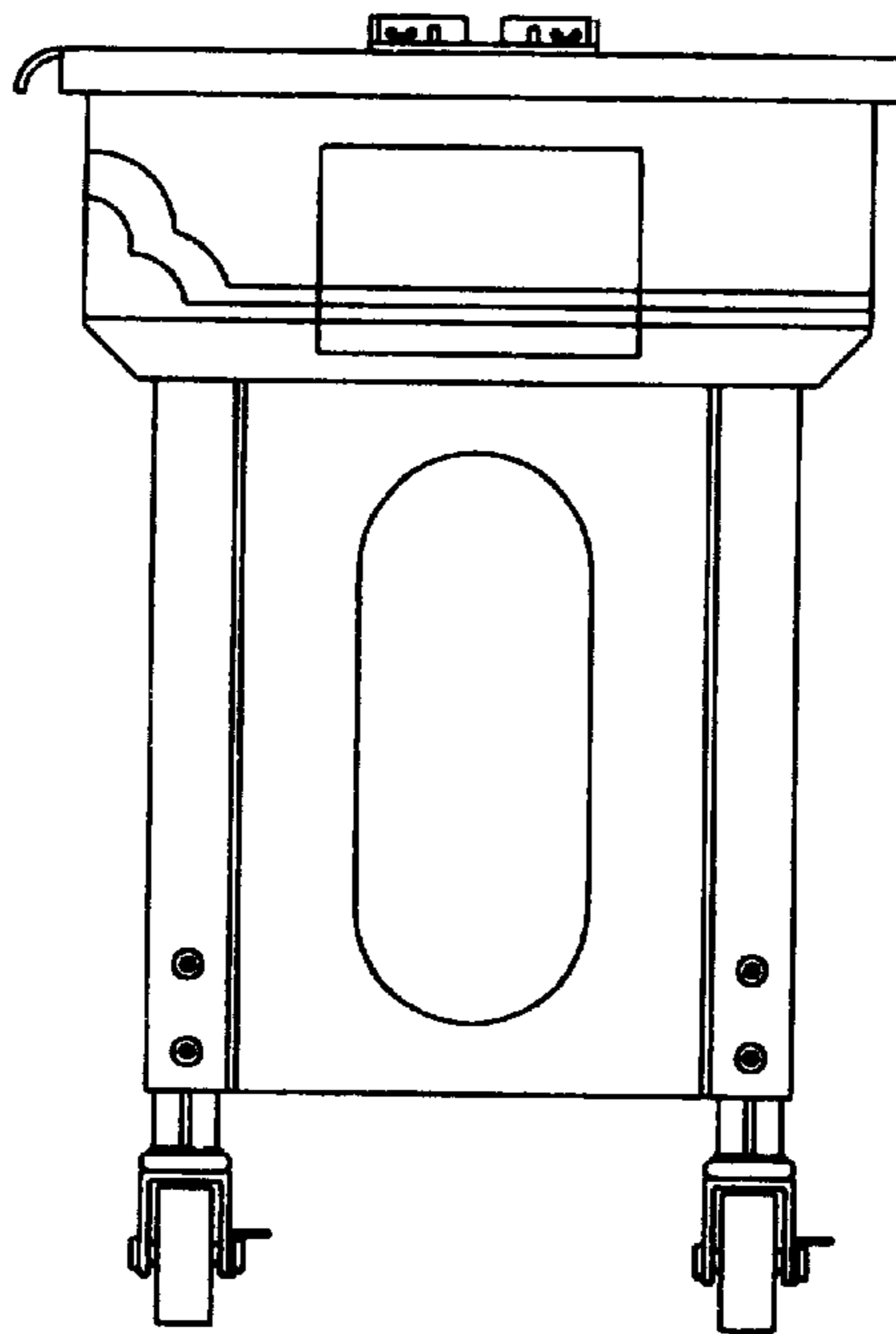


FIG. 2

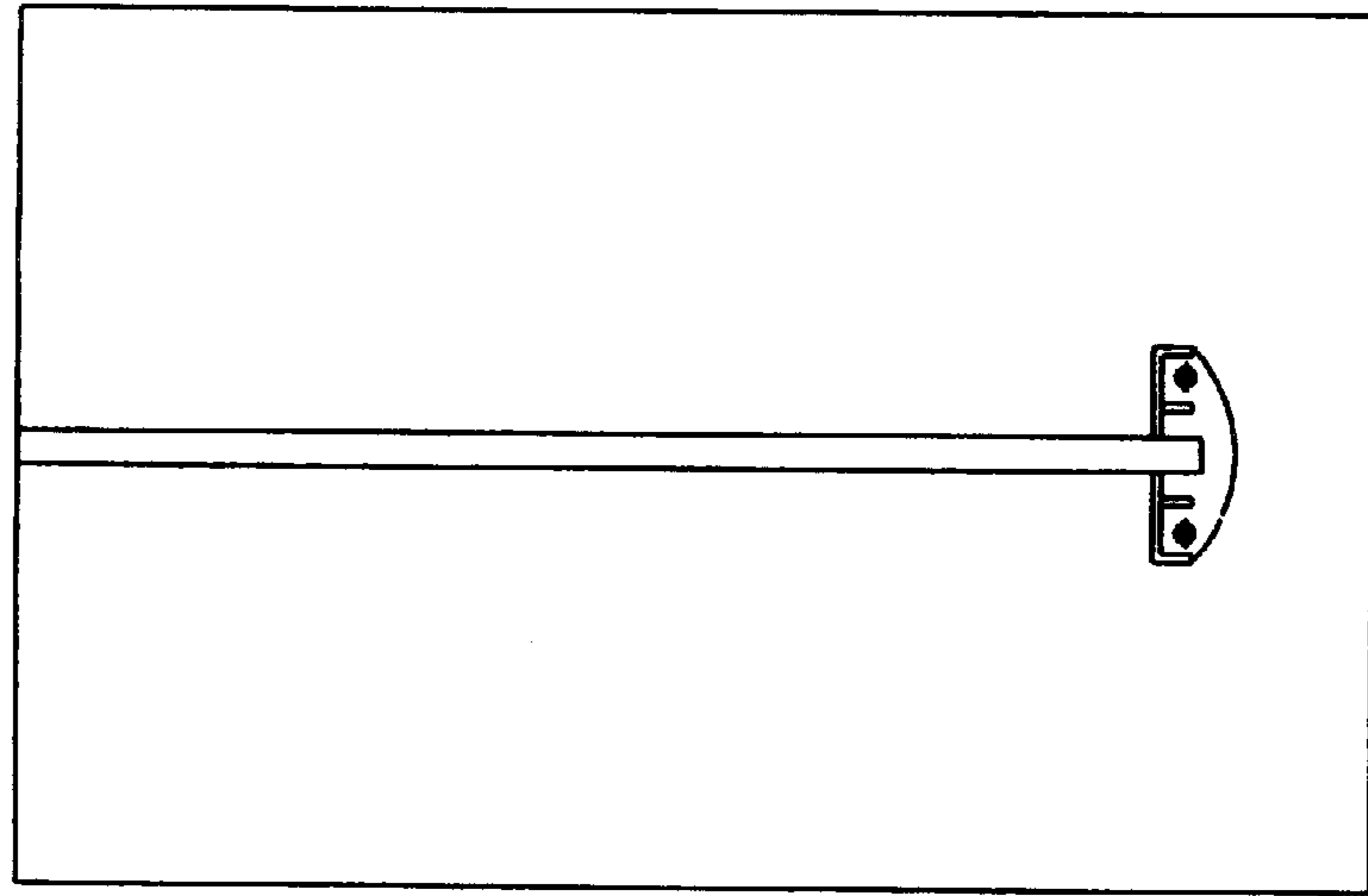


FIG. 3

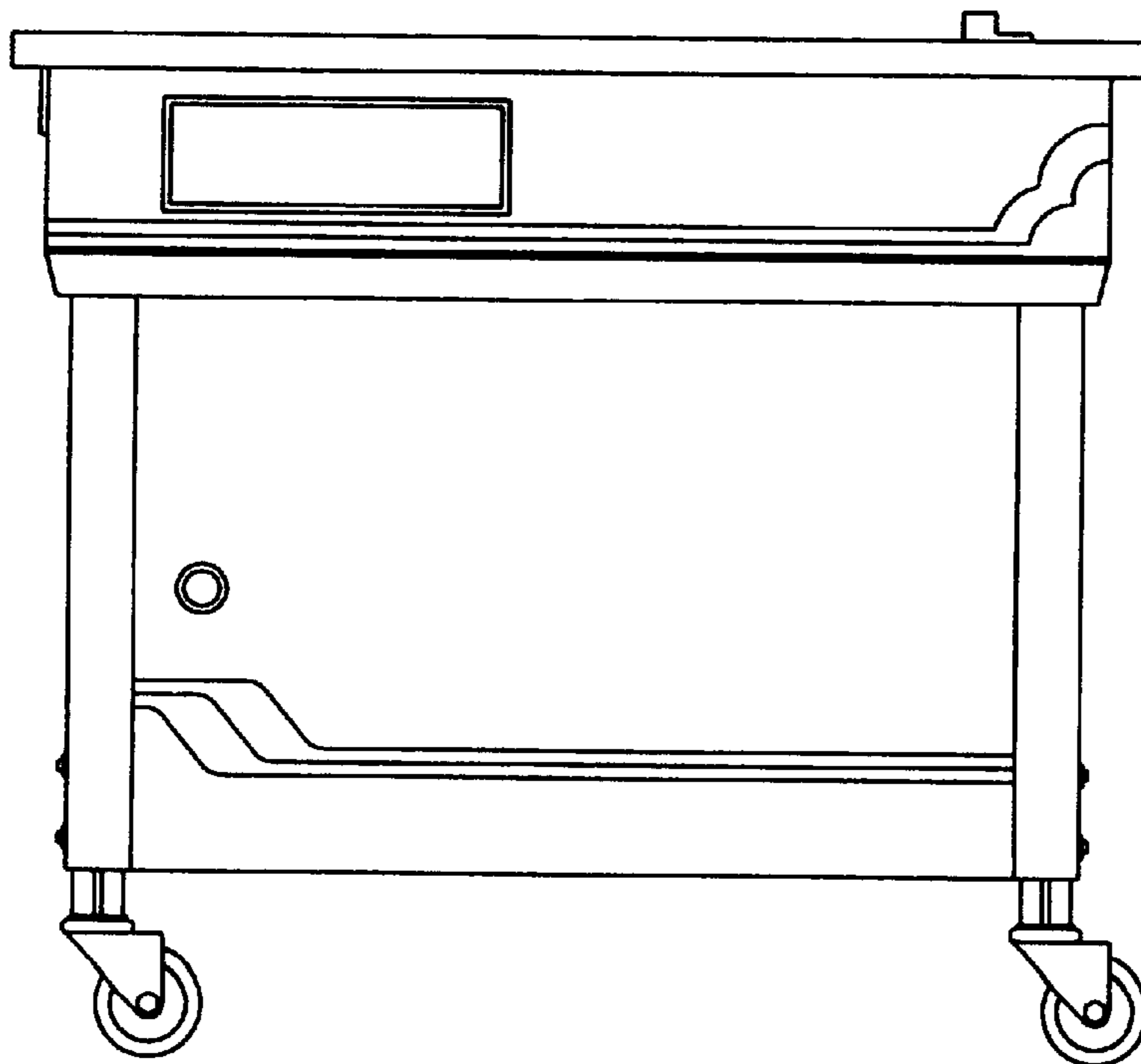


FIG. 4

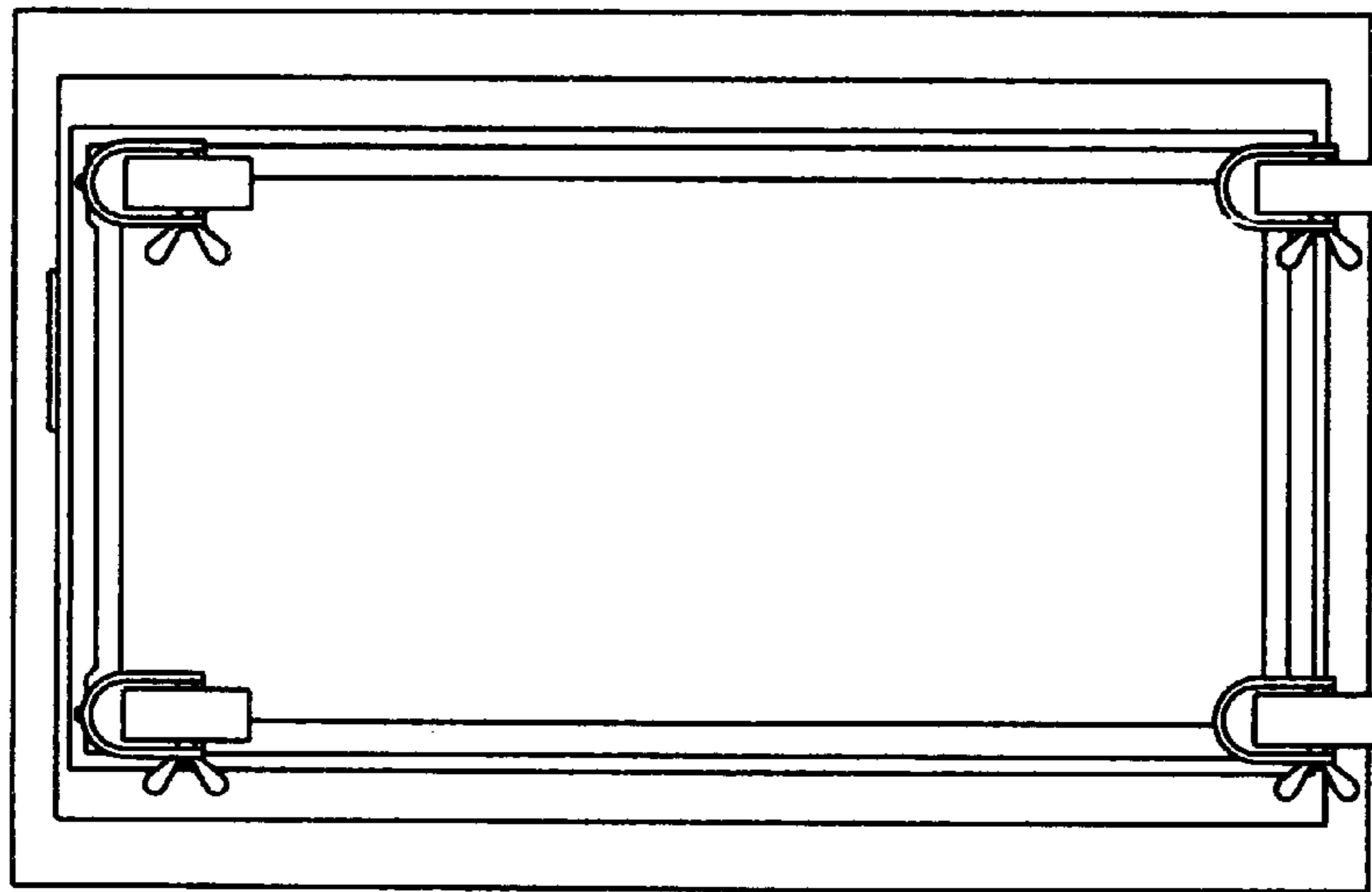


FIG. 5

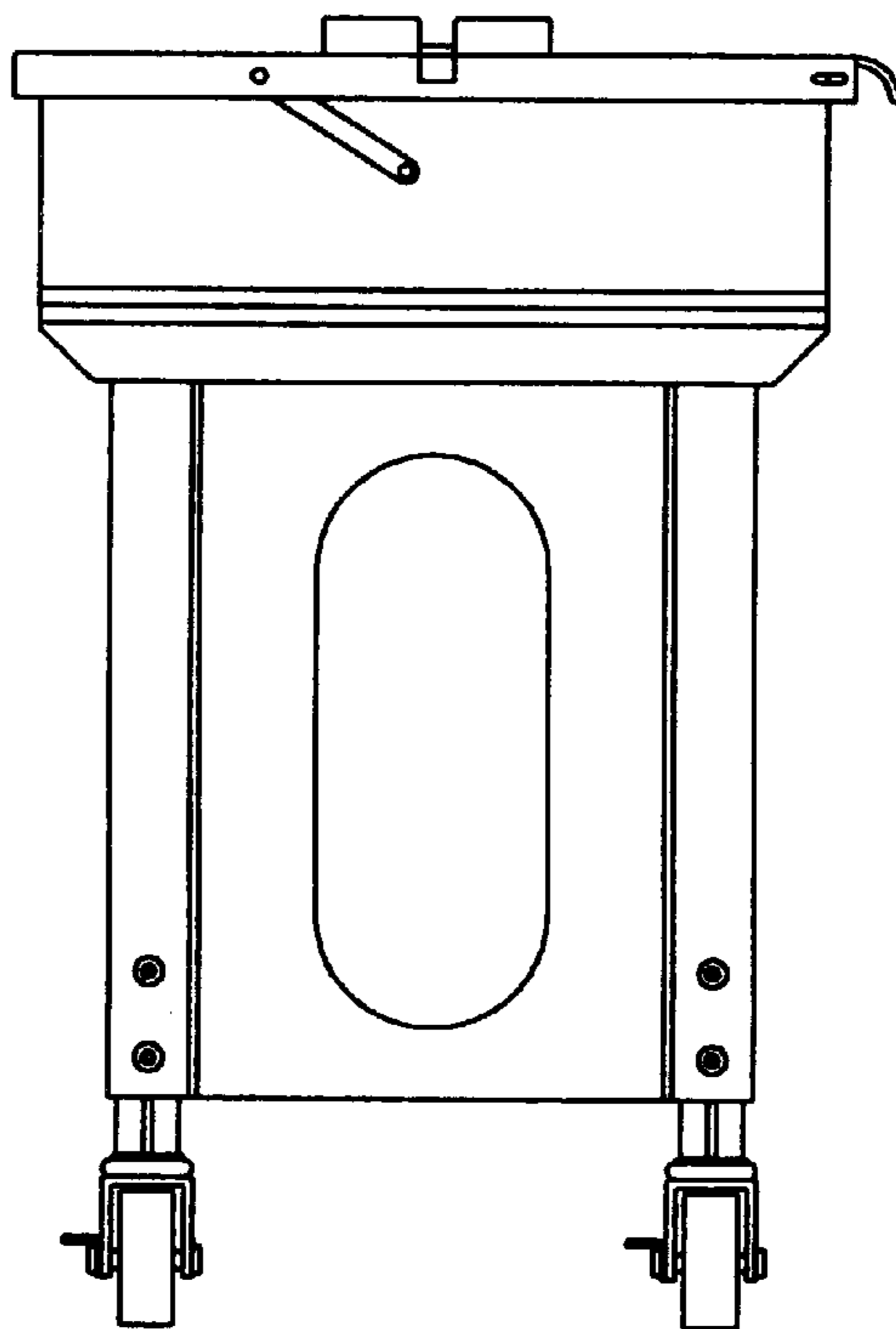


FIG. 6

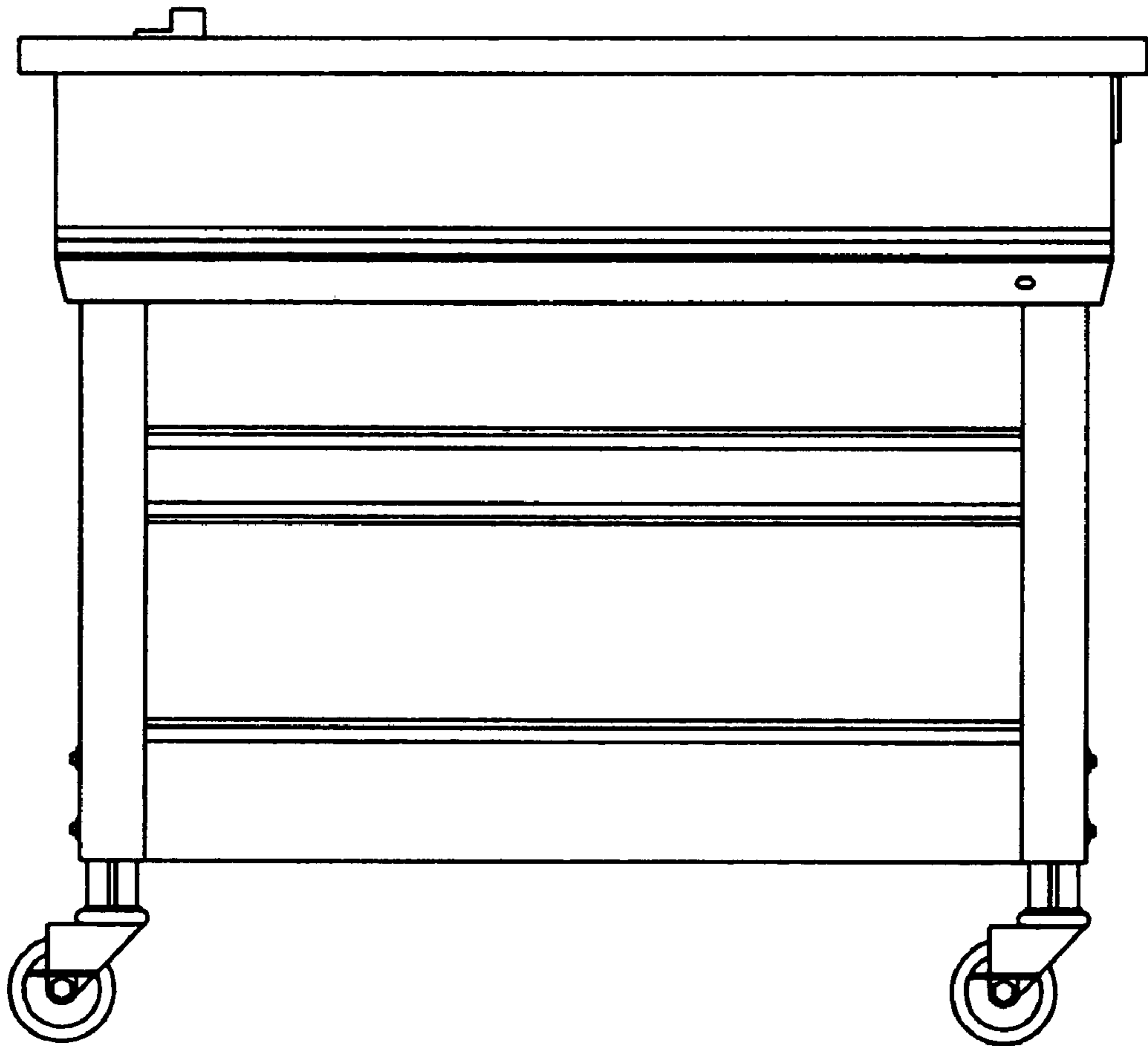


FIG. 7