



US00D424077S

United States Patent [19]

[11] Patent Number: **Des. 424,077**

Abed et al.

[45] Date of Patent: **** May 2, 2000**

[54] **SOLDERING AND DESOLDERING TOOL CONTROLLER**

[75] Inventors: **Tark Abed, Palo Alto; Shawn Hanna, Woodside, both of Calif.**

[73] Assignee: **Metcal, Inc., Menlo Park, Calif.**

[**] Term: **14 Years**

[21] Appl. No.: **29/100,987**

[22] Filed: **Feb. 22, 1999**

[51] **LOC (7) Cl.** **15-09**

[52] **U.S. Cl.** **D15/144**

[58] **Field of Search** D15/144, 144.1, D15/144.2; 228/6.2, 9, 49.5, 264, 191; 269/903

- 4,767,047 8/1988 Todd et al. .
- 4,799,617 1/1989 Friedman .
- 4,832,249 5/1989 Ehler .
- 5,340,011 8/1994 Sanchez .
- 5,419,481 5/1995 Lasto et al. .
- 5,560,531 10/1996 Ruzowski .
- 5,598,965 2/1997 Scheu .

Primary Examiner—Antoine Duval Davis
Attorney, Agent, or Firm—Burns, Doane, Swecker & Mathis, LLP

[57] CLAIM

The ornamental design for a soldering and desoldering tool controller, as shown and described.

DESCRIPTION

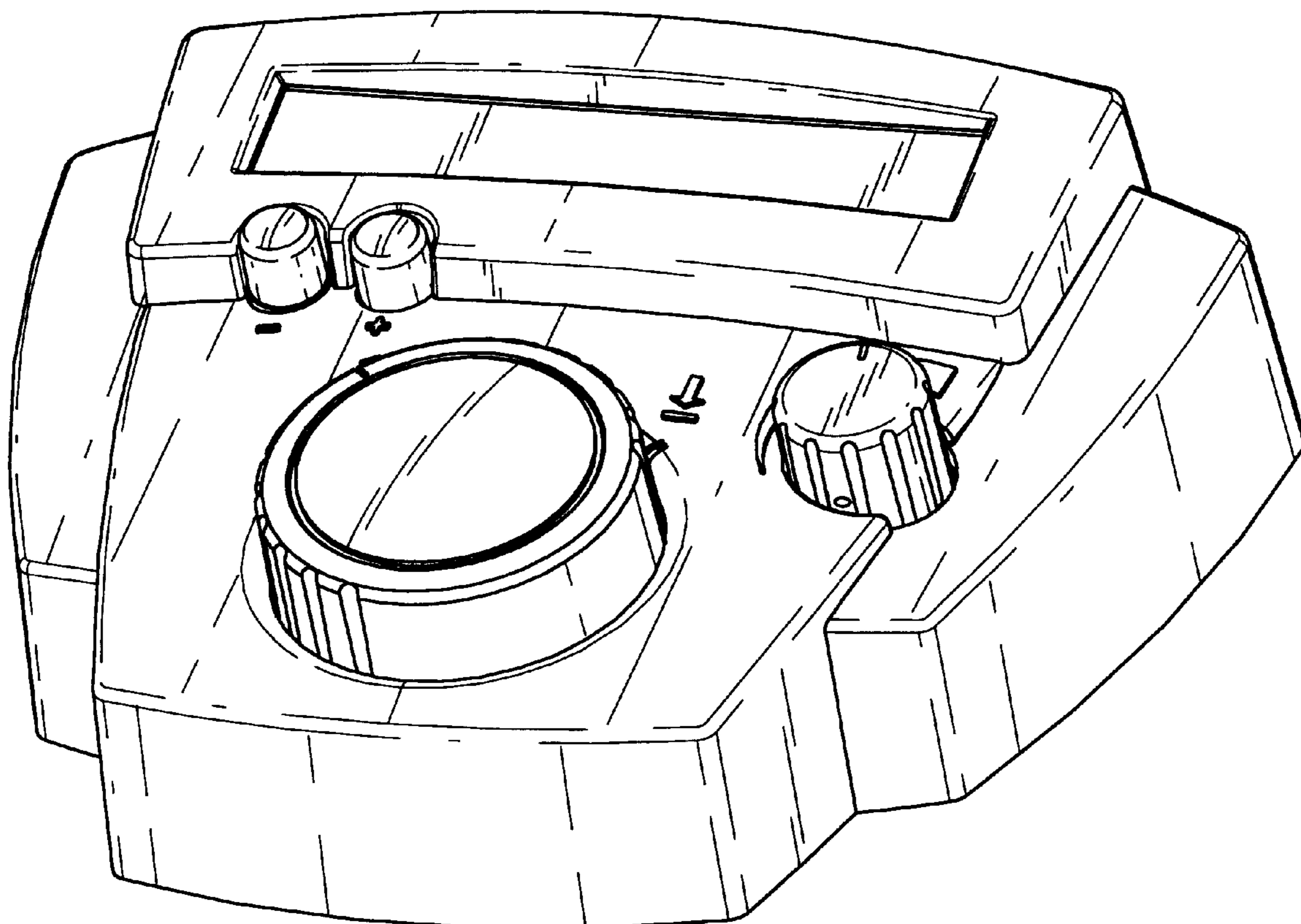
FIG. 1 is a perspective view of the soldering and desoldering tool controller;
FIG. 2 is a top view thereof;
FIG. 3 is a back view thereof;
FIG. 4 is a front view thereof;
FIG. 5 is a left side view thereof; and,
FIG. 6 is a right side view thereof.
The bottom view of the soldering and desoldering tool controller is plain and unornamented.

[56] References Cited

U.S. PATENT DOCUMENTS

- D. 277,636 2/1985 Rittmann D15/144
- 4,230,250 10/1980 Scheu, Jr. .
- 4,289,953 9/1981 Scheu, Jr. .
- 4,569,473 2/1986 Guiliano .
- 4,659,004 4/1987 Fridman .
- 4,752,025 6/1988 Stach et al. .

1 Claim, 4 Drawing Sheets



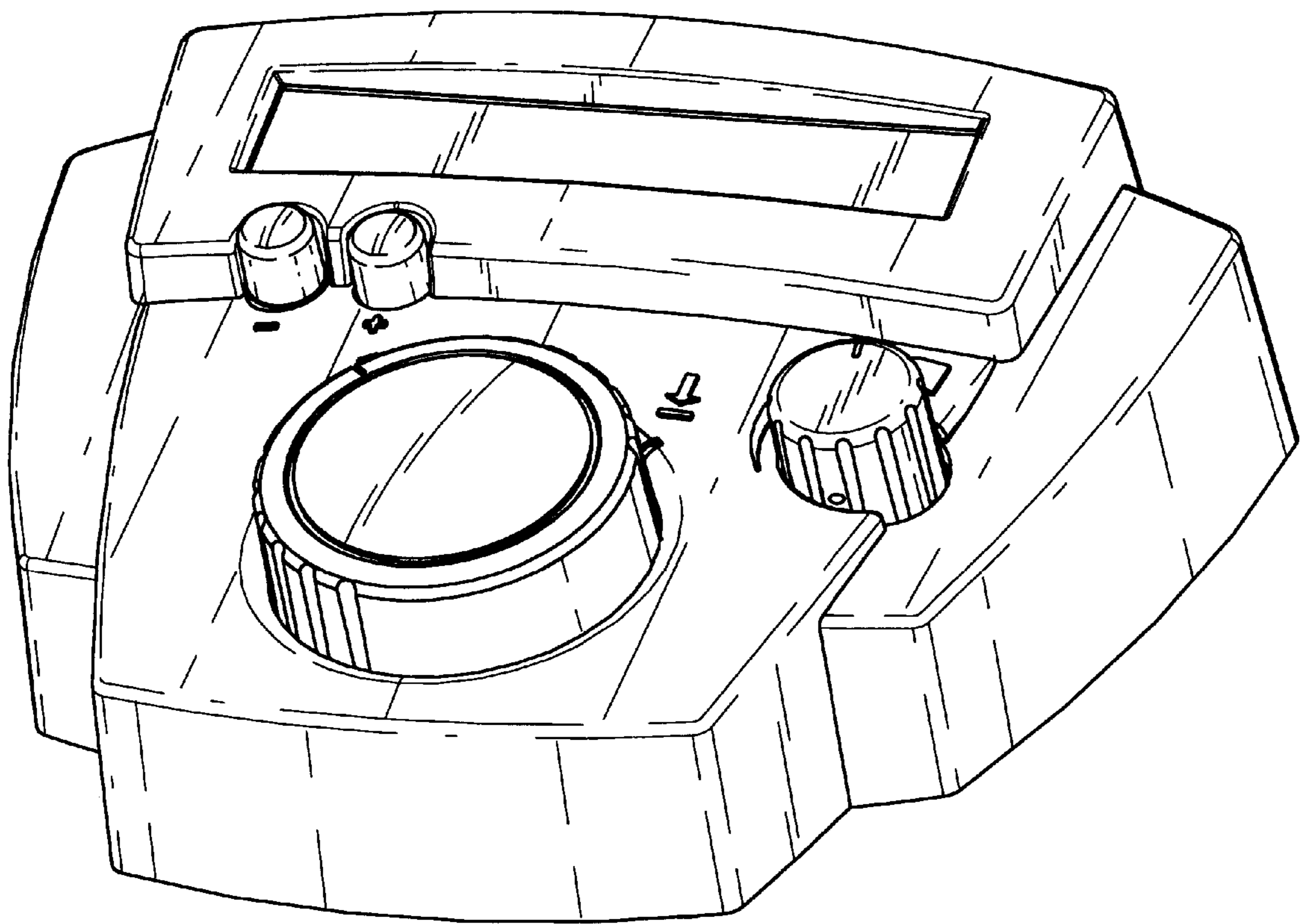


FIG. 1

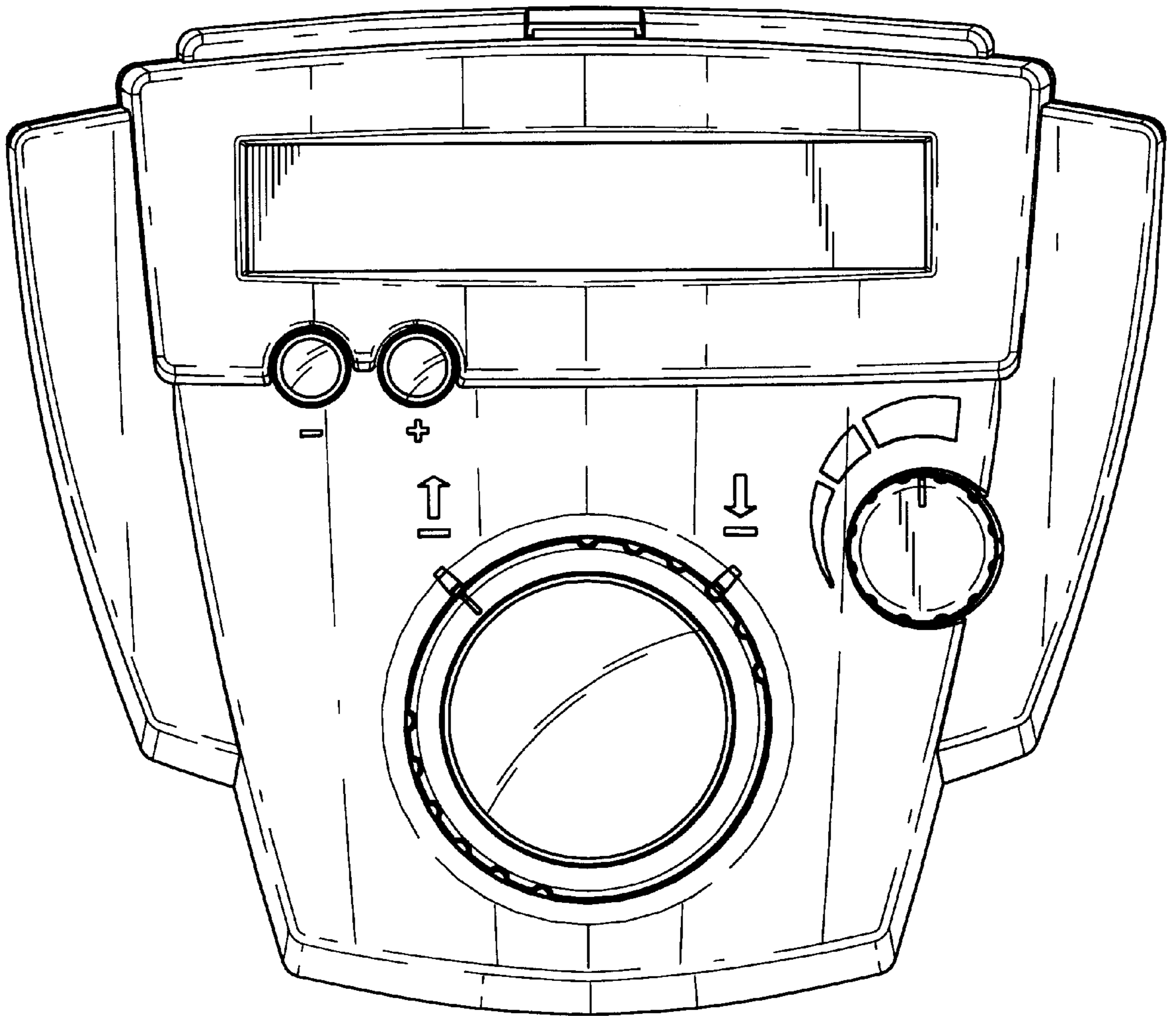


FIG. 2

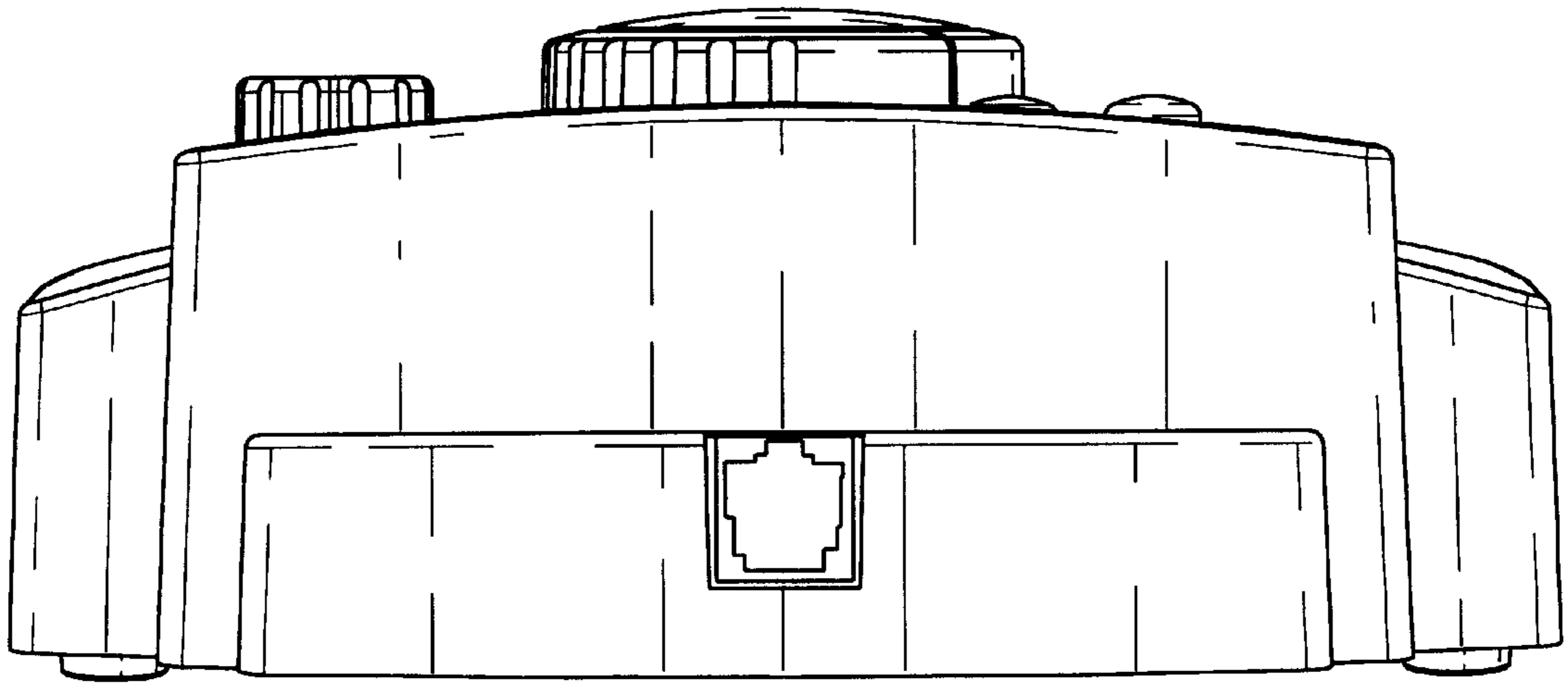


FIG. 3

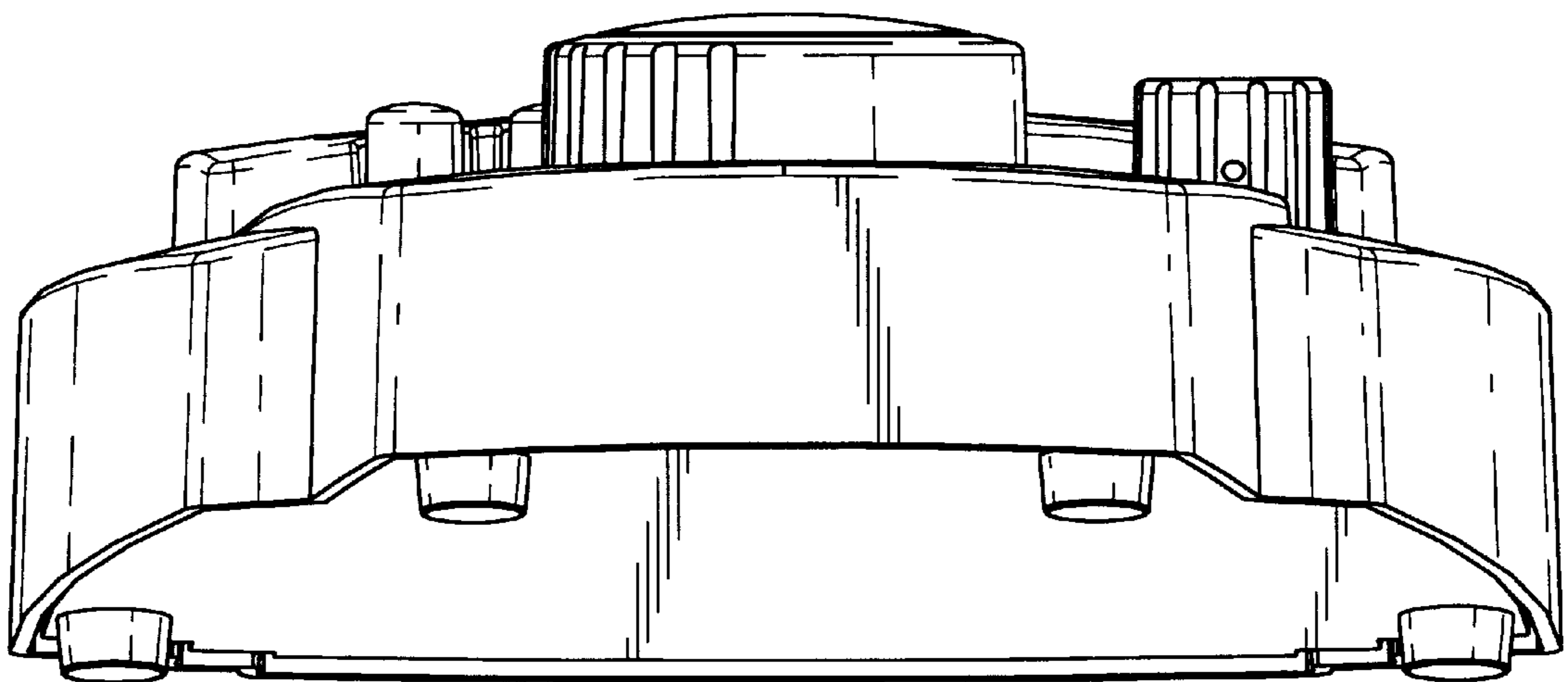


FIG. 4

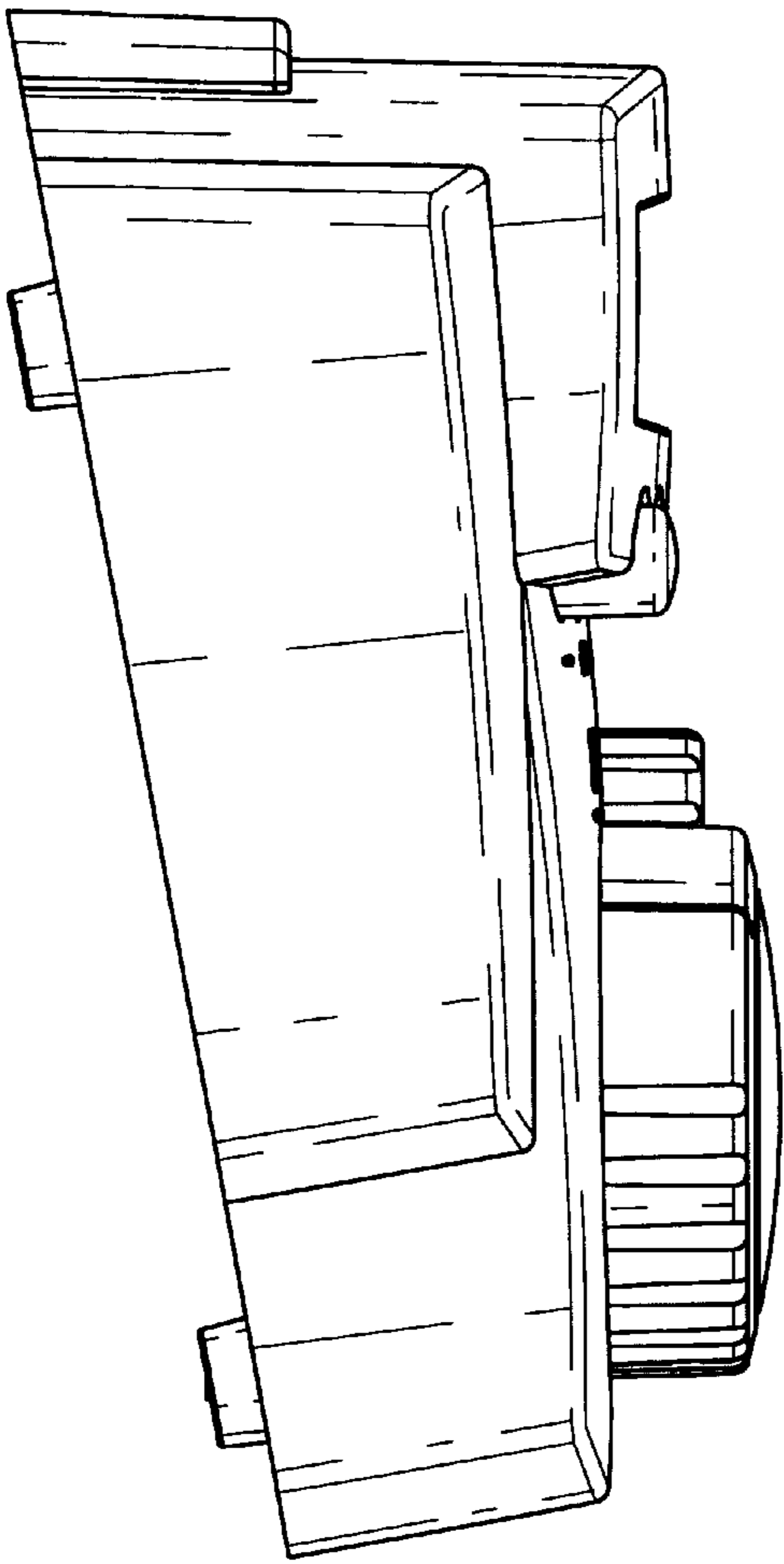


FIG. 5

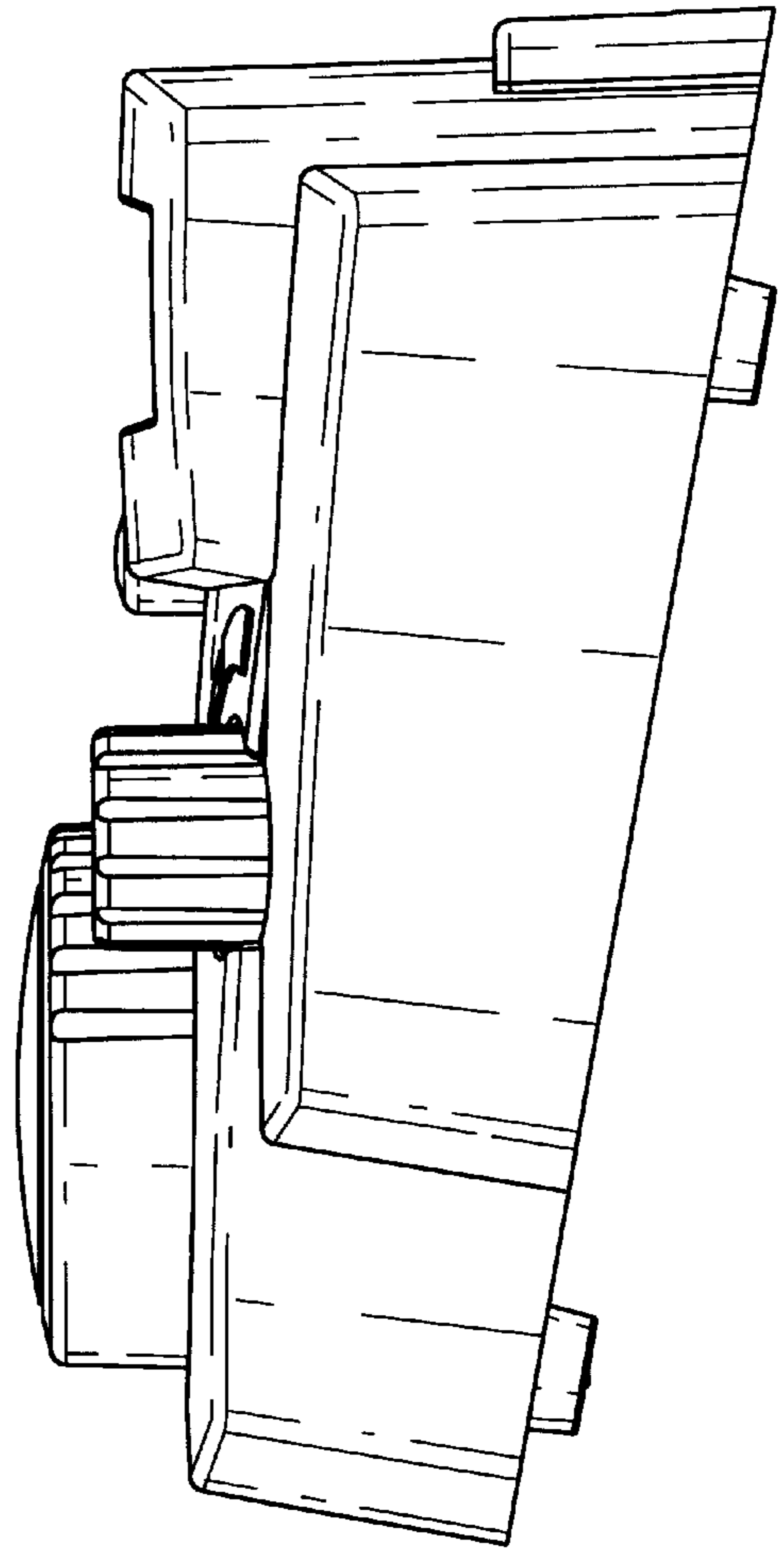


FIG. 6