



US00D424076S

# United States Patent [19]

[11] Patent Number: Des. 424,076

Dibbern et al.

[45] Date of Patent: \*\* May 2, 2000

## [54] MOUNTING DEVICE FOR A CUTTING TOOL

[75] Inventors: **John E. Dibbern**, Street, Md.; **Daniel L. Krout**, New Freedom, Pa.

[73] Assignee: **Black & Decker Inc.**, Newark, Del.

[\*\*] Term: **14 Years**

[21] Appl. No.: **29/101,142**

[22] Filed: **Feb. 24, 1999**

[51] **LOC (7) Cl.** ..... **15-09**

[52] **U.S. Cl.** ..... **D15/140; D8/70**

[58] **Field of Search** ..... D15/140, 158; D8/70; 188/69; 83/13; 74/527; 192/69.82

## [56] References Cited

### U.S. PATENT DOCUMENTS

D. 349,440	8/1994	Johnston .	
D. 349,441	8/1994	Johnston .	
D. 380,660	7/1997	Gakhar et al. .	
D. 382,786	8/1997	Achterberg et al. .	
D. 392,864	3/1998	Koike et al. .	
1,947,662	2/1934	Robinson .	
2,572,042	10/1951	Martin .	
2,600,459	6/1952	Adams .	
2,649,868	8/1953	Gommel .	
2,822,648	2/1958	Metzger et al. .	
2,912,021	11/1959	Gommel .	
3,869,795	3/1975	Treace .	
3,897,020	7/1975	Knecht .	
3,937,408	2/1976	Buck .	
4,343,214	8/1982	Schädlich .	
4,428,120	1/1984	Kobayasji et al. .	
4,577,440	3/1986	Junker .	
4,589,458	5/1986	McCord, Jr. .	
4,730,952	3/1988	Wiley .	
5,058,909	10/1991	Rudolf et al. .	
5,157,873	10/1992	Rudolf et al. .	
5,303,688	4/1994	Chiuminatta et al. .	
5,477,845	12/1995	Zuzelo .	
5,497,684	3/1996	Martin .....	83/13
5,555,788	9/1996	Gakhar et al. .	
5,707,275	1/1998	Preis et al. .	
5,862,727	1/1999	Kelly .....	83/13

### FOREIGN PATENT DOCUMENTS

0588483	8/1993	European Pat. Off. .
0836024	10/1997	European Pat. Off. .
207355	2/1984	German Dem. Rep. .
7212119	3/1972	Germany .
2949990	6/1981	Germany .
83279679	1/1984	Germany .
3804400	8/1989	Germany .
4017406	5/1991	Germany .
4106618	3/1992	Germany .
196 81 336	7/1998	Germany .
61-30349	2/1986	Japan .
61-228901	10/1986	Japan .
63-116221	7/1988	Japan .
63-161801	10/1988	Japan .
63-163901	10/1988	Japan .
63-163902	10/1988	Japan .
237522	10/1990	Japan .
578502	10/1993	Japan .
3002831	7/1994	Japan .
72003	1/1995	Japan .
10258401	9/1998	Japan .
376264	3/1964	Switzerland .
624328	6/1949	United Kingdom .

### OTHER PUBLICATIONS

US Patent Application; Attorney Docket No. P-US-TN-1498, Filed Mar. 8, 1999, entitled Saw Blade and Mounting Device for the Same.

*Primary Examiner*—Antoine Duval Davis  
*Attorney, Agent, or Firm*—Adan Ayala

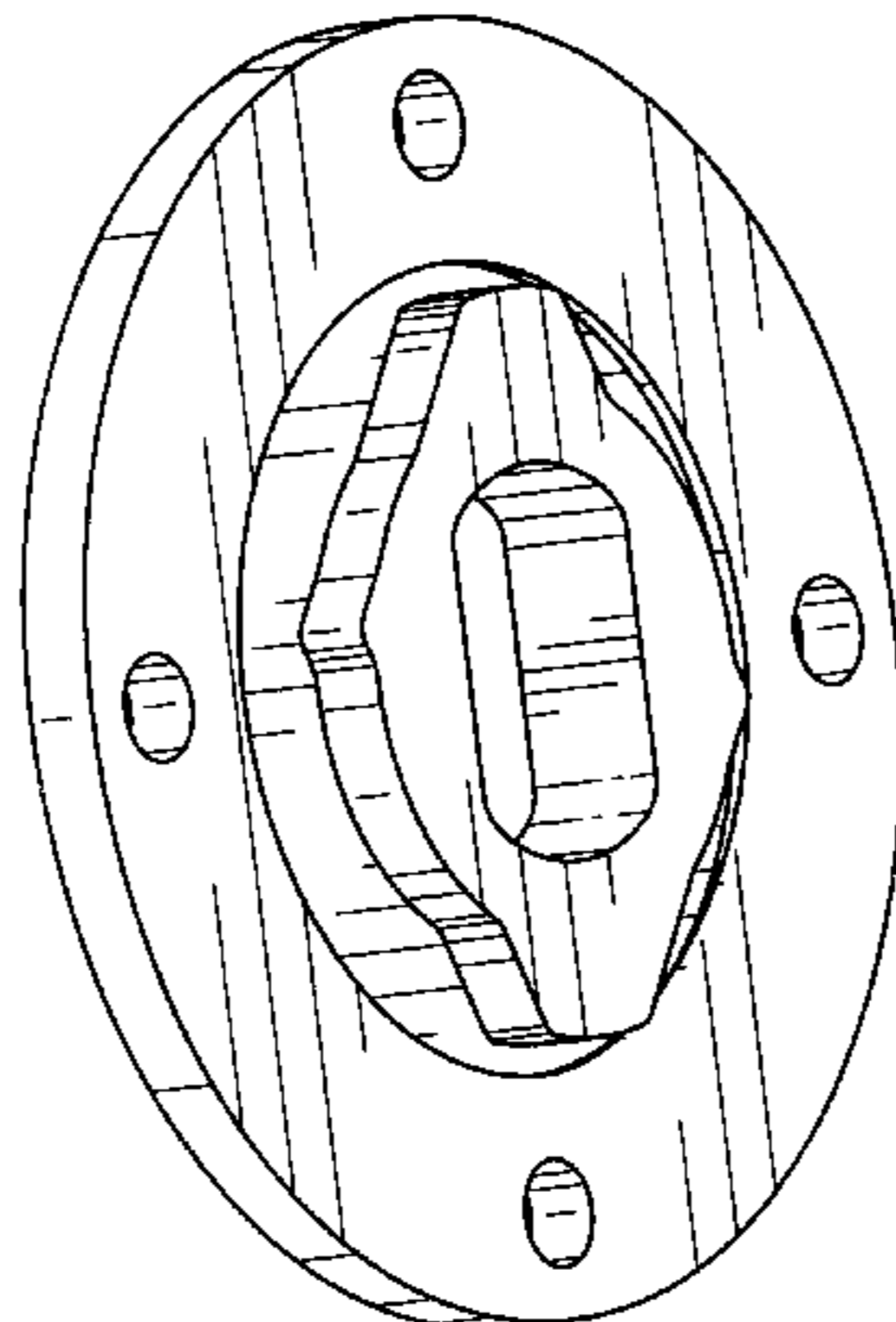
## [57] CLAIM

The ornamental design for a mounting device for a cutting tool, as shown and described.

## DESCRIPTION

FIG. 1 is a front perspective view of a mounting device for a cutting tool;  
FIG. 2 is a front elevational view thereof;  
FIG. 3 is a rear elevational view thereof;  
FIG. 4 is a right side elevational view thereof;  
FIG. 5 is a top plan view thereof;  
FIG. 6 is a left side elevational view thereof; and,  
FIG. 7 is a bottom plan view thereof.

**1 Claim, 3 Drawing Sheets**



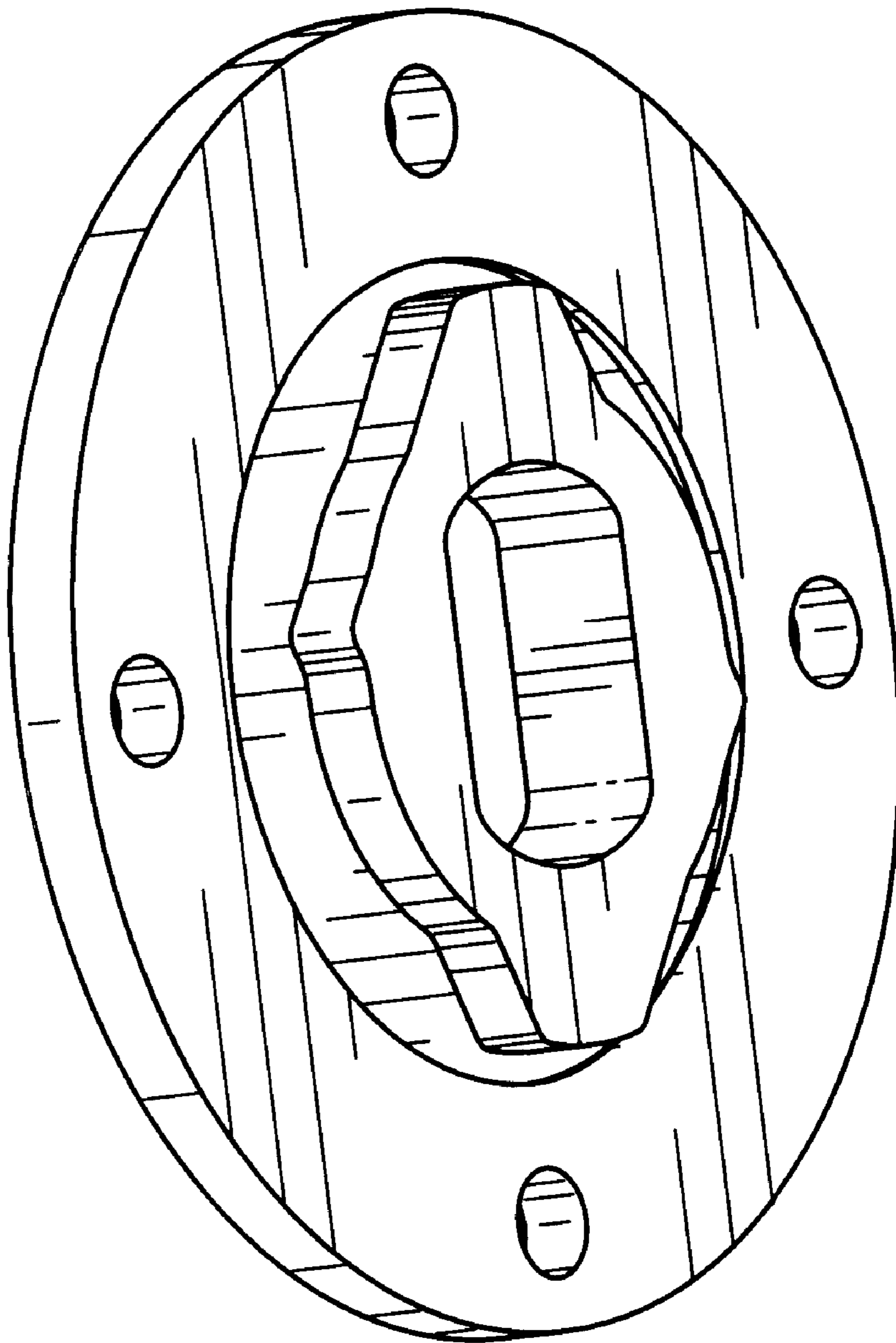


FIG. 1

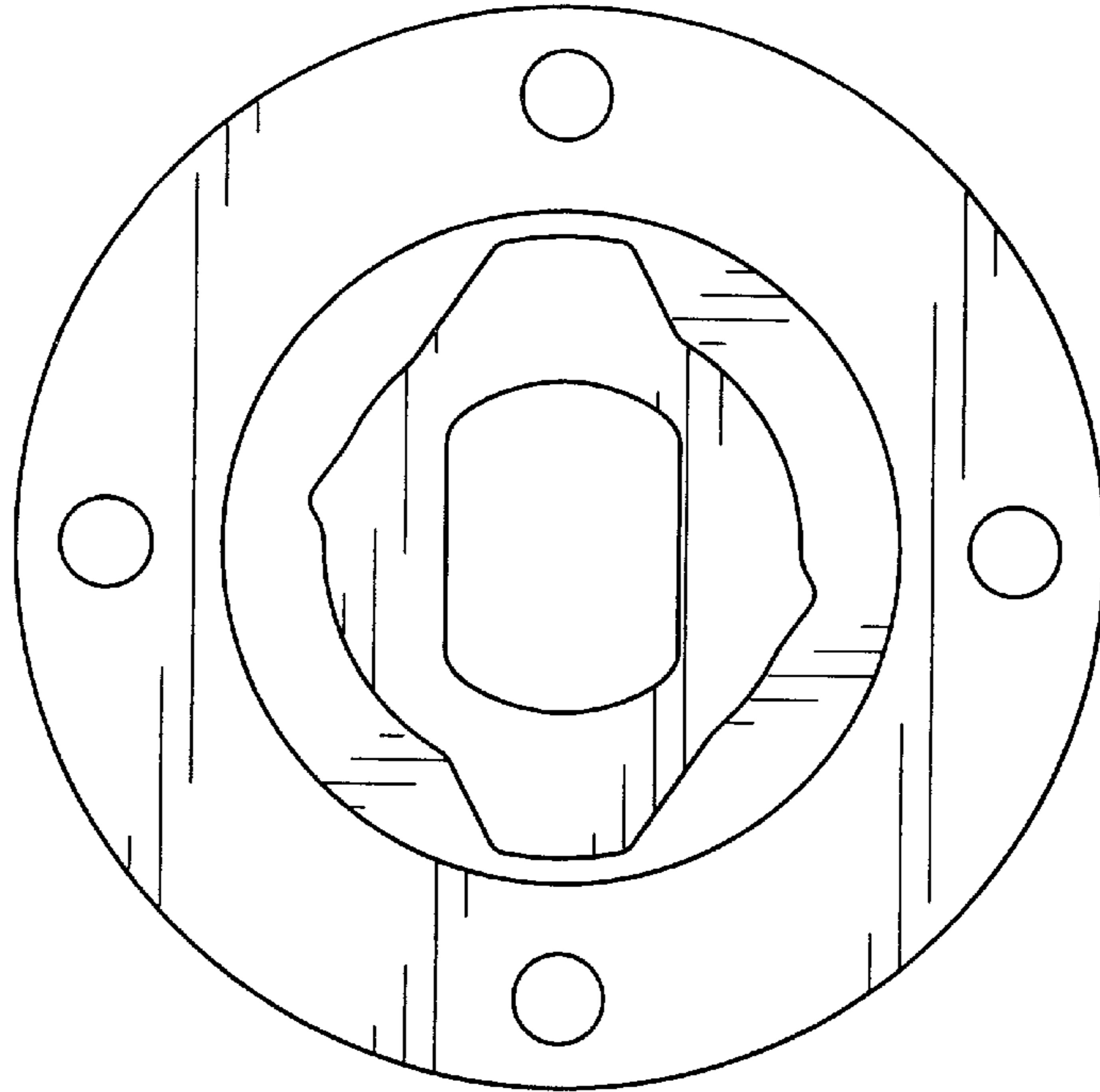


FIG. 2

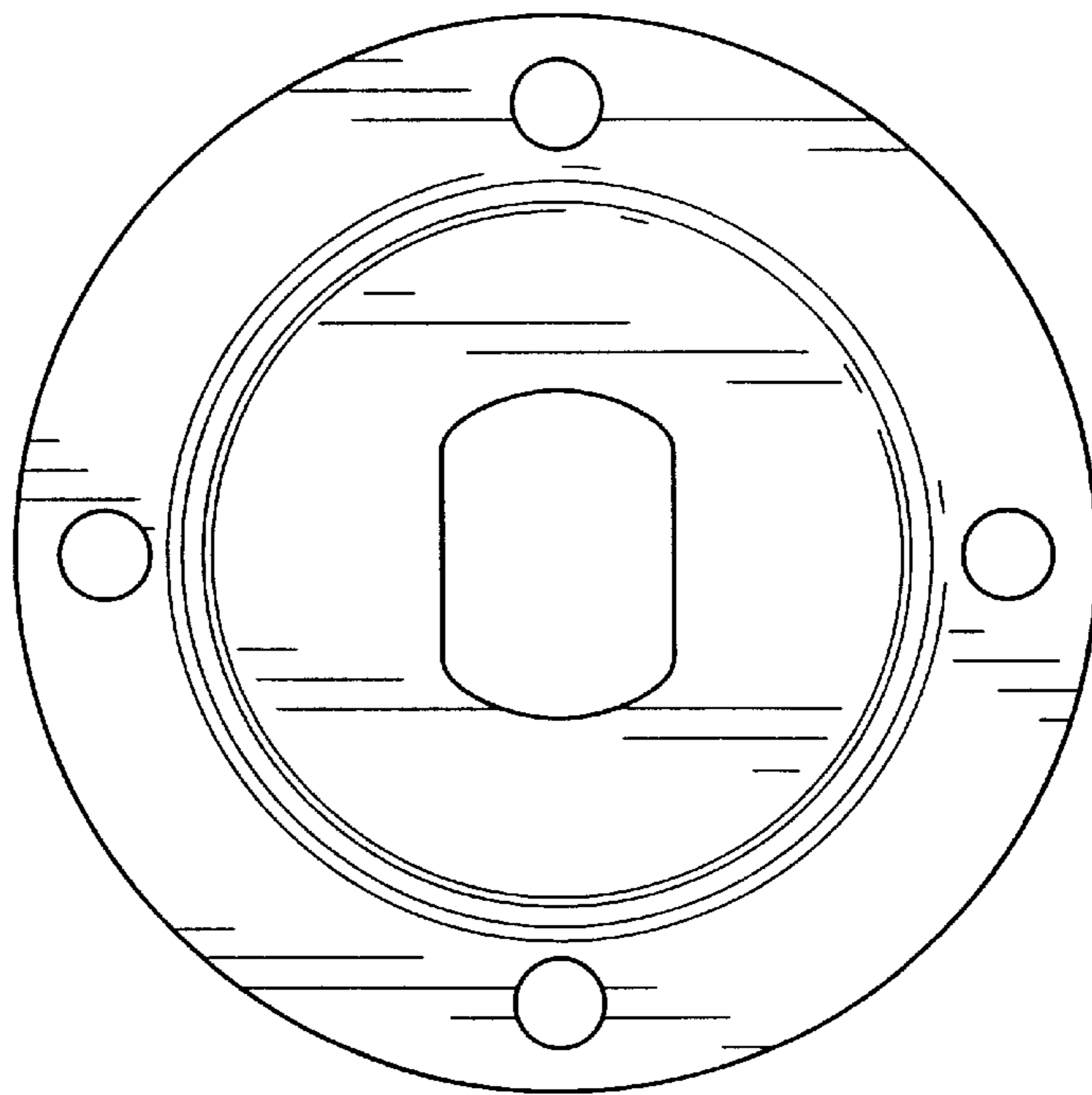


FIG. 3

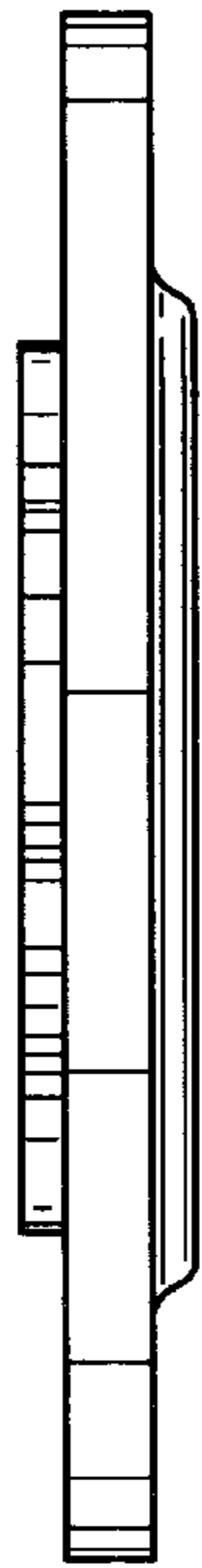


FIG. 4

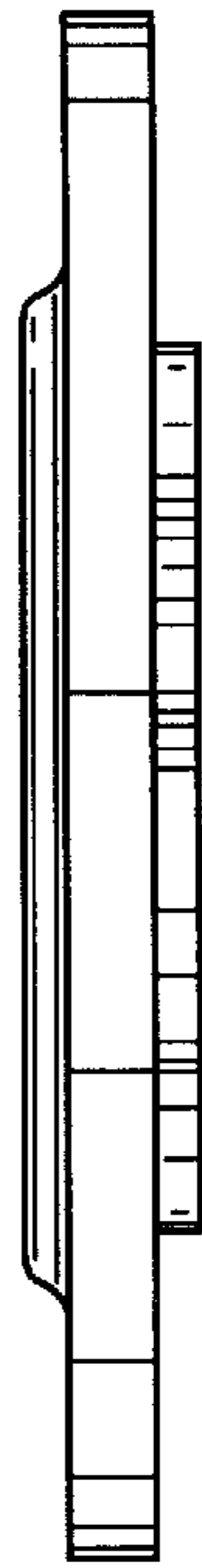


FIG. 6

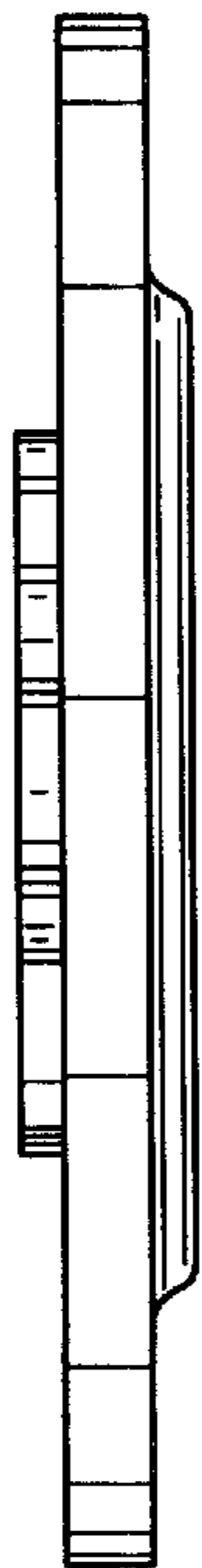


FIG. 5

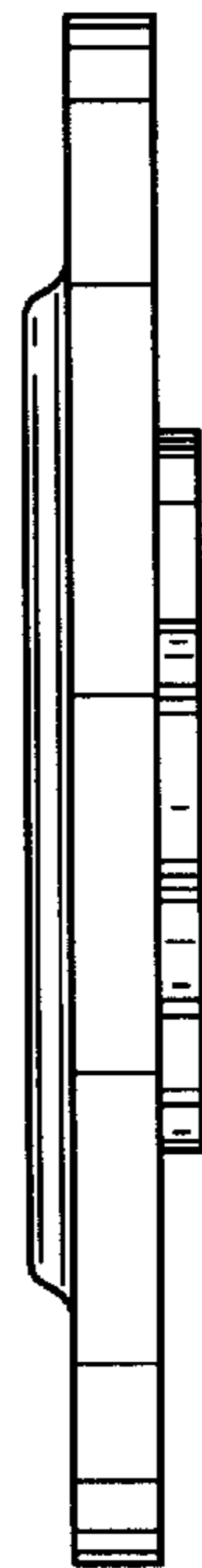


FIG. 7