



US00D424075S

United States Patent [19] Streich

[11] **Patent Number: Des. 424,075**

[45] **Date of Patent: ** May 2, 2000**

[54] **COLLAR FOR TOOL BIT HOLDER**

[75] Inventor: **John P. Streich**, Baltimore, Md.

[73] Assignee: **Black & Decker Inc.**, Newark, Del.

[**] Term: **14 Years**

[21] Appl. No.: **29/089,971**

[22] Filed: **Jun. 26, 1998**

[51] **LOC (7) Cl. 15-09**

[52] **U.S. Cl. D15/140; D8/70**

[58] **Field of Search D8/20; D15/140;**
408/239, 143, 144, 223, 240, 226; 299/10,
104; 279/19.3, 19.5; 407/101, 102, 66,
99, 117; 82/158

[56] **References Cited**

U.S. PATENT DOCUMENTS

- D. 181,189 10/1957 Fegan .
- D. 296,412 6/1988 Nelson et al. .
- D. 298,207 10/1988 Kilmer et al. .
- D. 301,114 5/1989 Fushiya et al. .
- D. 301,299 5/1989 Chapin .
- D. 323,606 2/1992 Chang .
- D. 325,860 5/1992 Fushiya et al. .
- D. 327,829 7/1992 Mochida .
- D. 328,556 8/1992 Fushiya et al. .
- D. 332,040 12/1992 Hoshino et al. .
- D. 332,208 1/1993 Sakamoto et al. .
- D. 333,080 2/1993 Fushiya et al. .
- D. 337,710 7/1993 Lui et al. .
- D. 340,393 10/1993 Okumura .
- D. 340,394 10/1993 Okumura .
- D. 343,105 1/1994 Shibata et al. .
- D. 343,567 1/1994 Okumura .
- D. 344,000 2/1994 Shibata et al. .
- D. 346,541 5/1994 Somers .
- D. 356,932 4/1995 Owens et al. .
- D. 359,215 6/1995 Zurwelle .
- D. 359,217 6/1995 Owens et al. .
- D. 359,432 6/1995 Owens .
- D. 360,129 7/1995 Guegan et al. .
- D. 360,814 8/1995 Kmata .
- D. 362,167 9/1995 Zurwelle .
- D. 363,295 10/1995 Barton .
- D. 366,052 1/1996 Barton et al. .

- D. 385,617 10/1997 Fowler .
- 1,138,465 5/1915 Fegley et al. .
- 2,518,139 8/1950 Hallowell et al. .
- 3,023,015 2/1962 Pankow .

(List continued on next page.)

FOREIGN PATENT DOCUMENTS

- 0221279 of 1986 European Pat. Off. .
- 3243389 of 1984 Germany .
- 4403906 of 1994 Germany .
- 19647912 of 1996 Germany .

OTHER PUBLICATIONS

- German Design Gazette M94 05 172 dated Nov. 10, 1994.
- German Design Gazette M96 07 917 dated Mar. 25, 1997.
- German Design Gazette M97 01 321 dated Aug. 25, 1997.
- Meen Gang ad (unknown date).
- Photocopy of Packaged sample of Black & Decker Cat. No. 71-485 Keyless Chuck, dated 1989.
- German Design Gazette M97 06 919 dated May 25, 1998.
- German Design Gazette M92 05 204 dated Nov. 25, 1992.

Primary Examiner—Antoine Duval Davis
Attorney, Agent, or Firm—Charles E. Yocum; Dennis A. Dearing; John D. Del Ponti

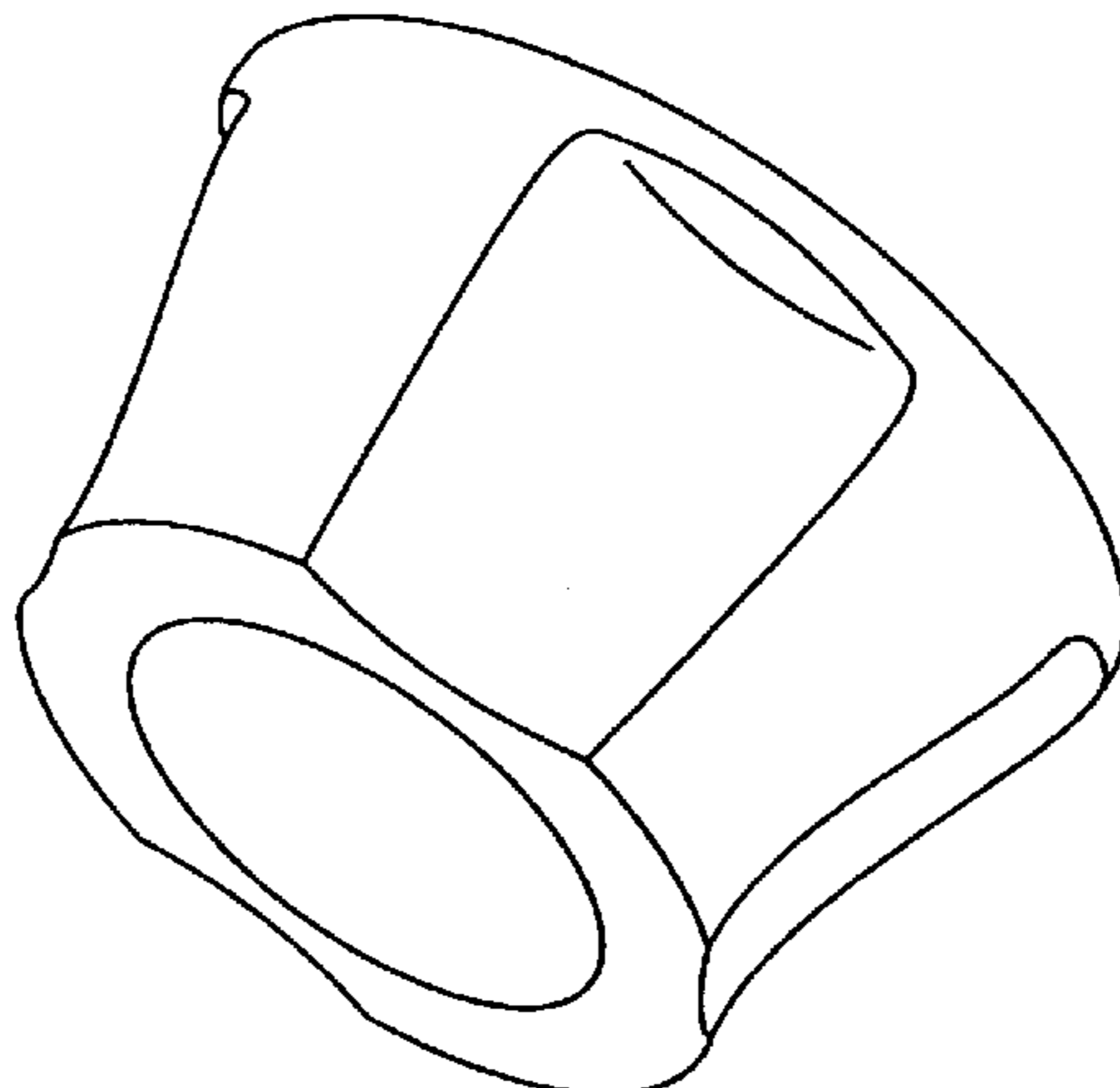
[57] **CLAIM**

The ornamental design for a collar for tool bit holder, as shown and described.

DESCRIPTION

FIG. 1 is a front perspective view of the collar for tool bit holder of the present invention, taken from above;
FIG. 2 is a rear perspective view of the collar for tool bit holder of FIG. 1, taken from above;
FIG. 3 is an elevational view of the collar for tool bit holder of FIG. 1, taken from one side (both side elevational views, and both the top and bottom plan views being identical to one another);
FIG. 4 is an elevational view of the collar for tool bit holder of FIG. 1, taken from the rear; and,
FIG. 5 is an elevational view of the collar for tool bit holder of FIG. 1, taken from the front.

1 Claim, 2 Drawing Sheets



Des. 424,075

Page 2

U.S. PATENT DOCUMENTS

| | | | | | | |
|-----------|---------|------------------|-----------|--------|------------------|---------|
| 3,219,355 | 11/1965 | Fujinuma . | 4,692,073 | 9/1987 | Martindell . | |
| 3,260,541 | 7/1966 | Sadler et al. . | 4,695,065 | 9/1987 | Komatsu et al. . | |
| 4,252,333 | 2/1981 | Vogel . | 5,106,166 | 4/1992 | O'Neill | 299/104 |
| 4,287,923 | 9/1981 | Hornung . | 5,135,241 | 8/1992 | Huff et al. . | |
| 4,460,296 | 7/1984 | Sivertson, Jr. . | 5,188,378 | 2/1993 | Erienkenser . | |
| 4,629,375 | 12/1986 | Lieser . | 5,342,154 | 8/1994 | Holzer . | |
| | | | 5,725,283 | 3/1998 | O'Neill | 299/104 |
| | | | 5,755,448 | 5/1998 | Kanaan et al. . | |

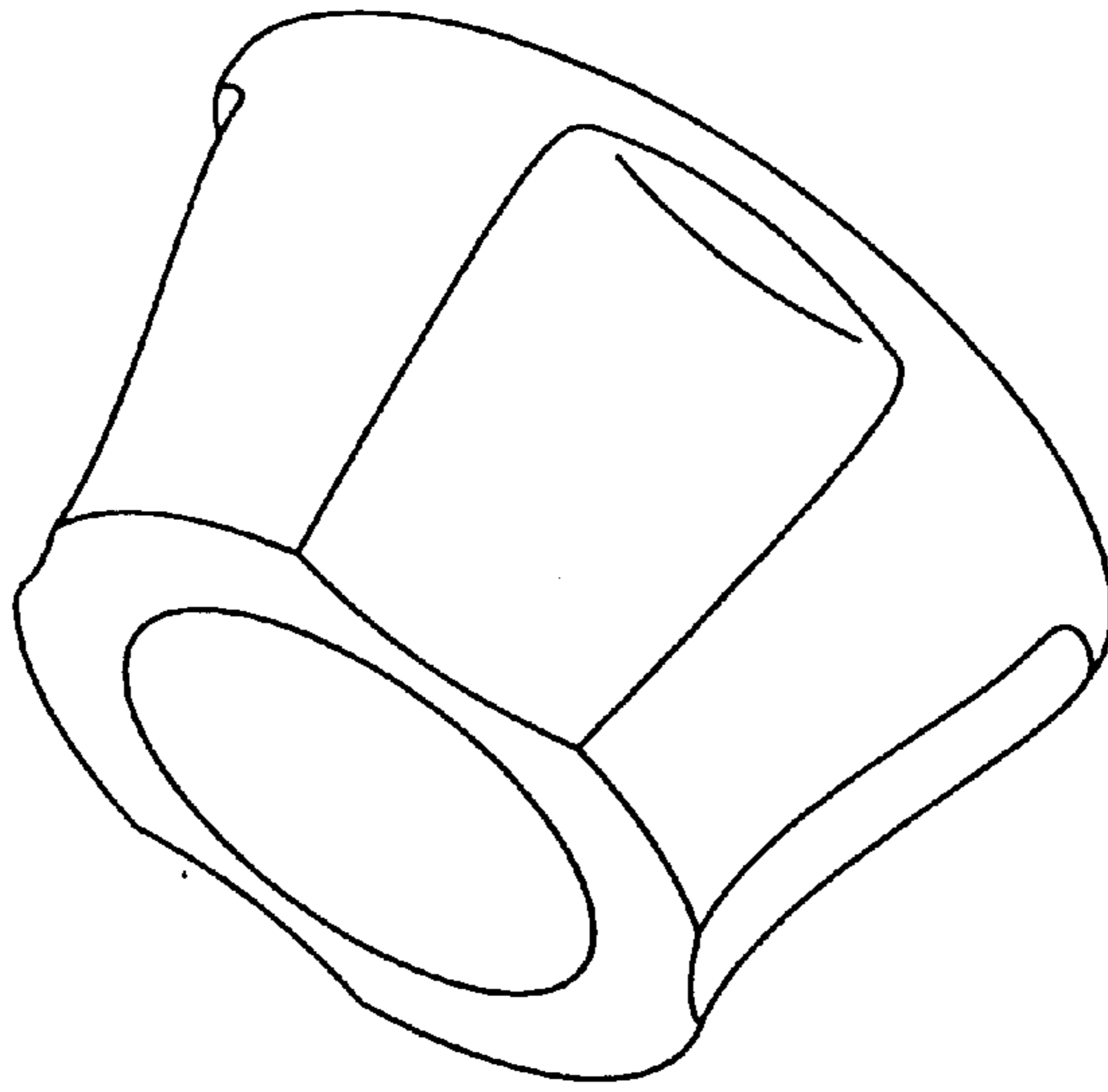


FIG. 1

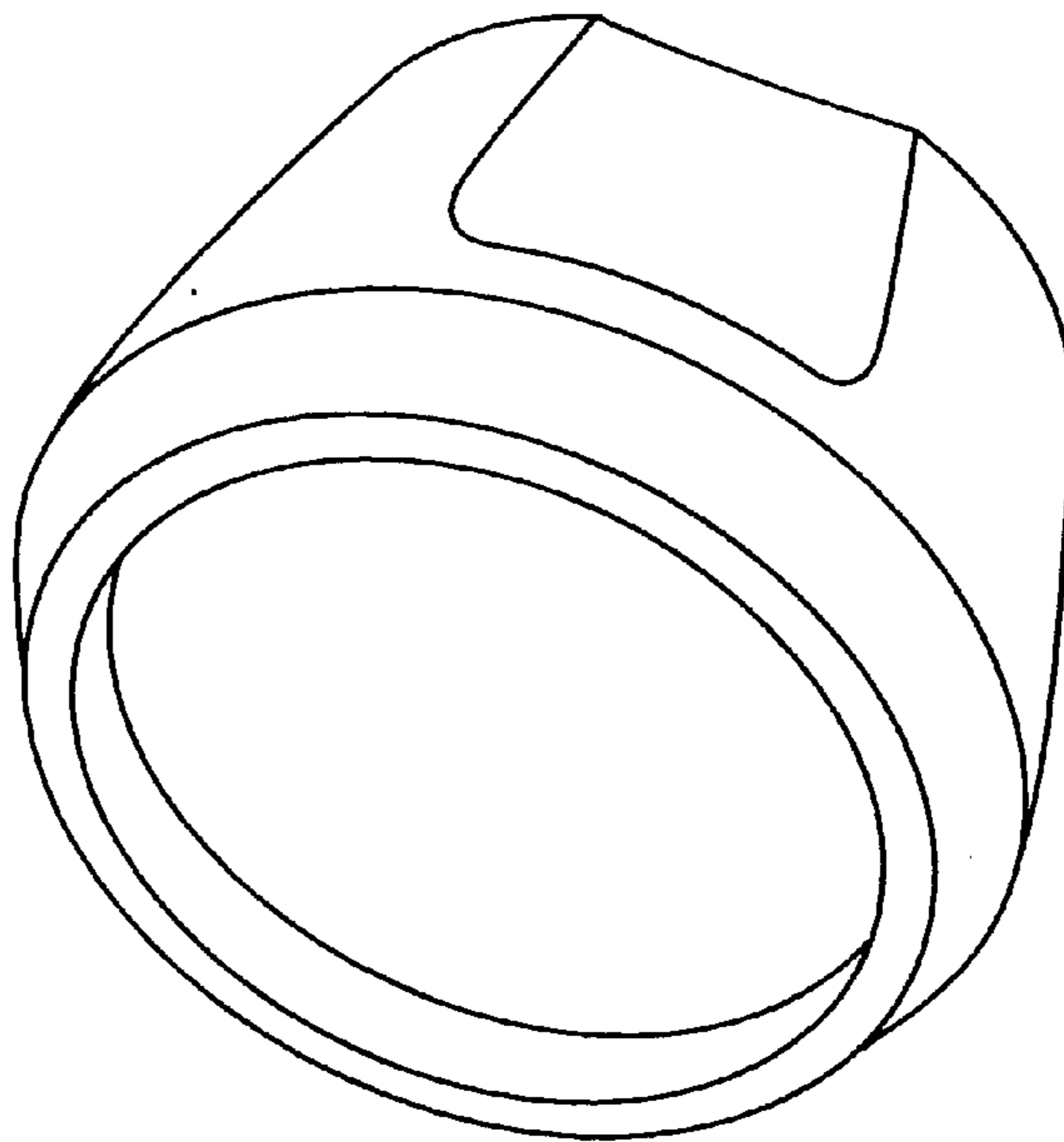


FIG. 2

FIG. 3

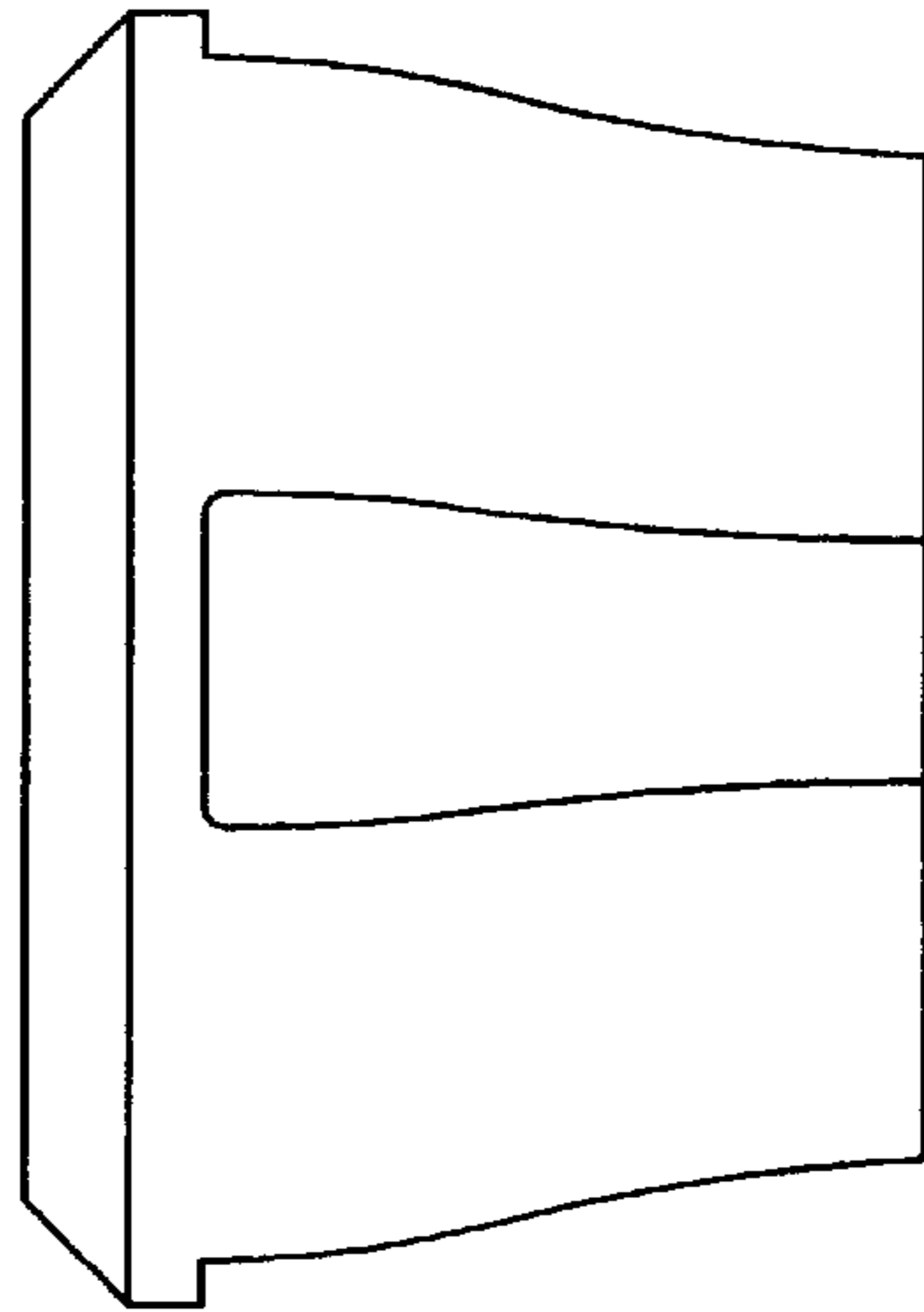


FIG. 4

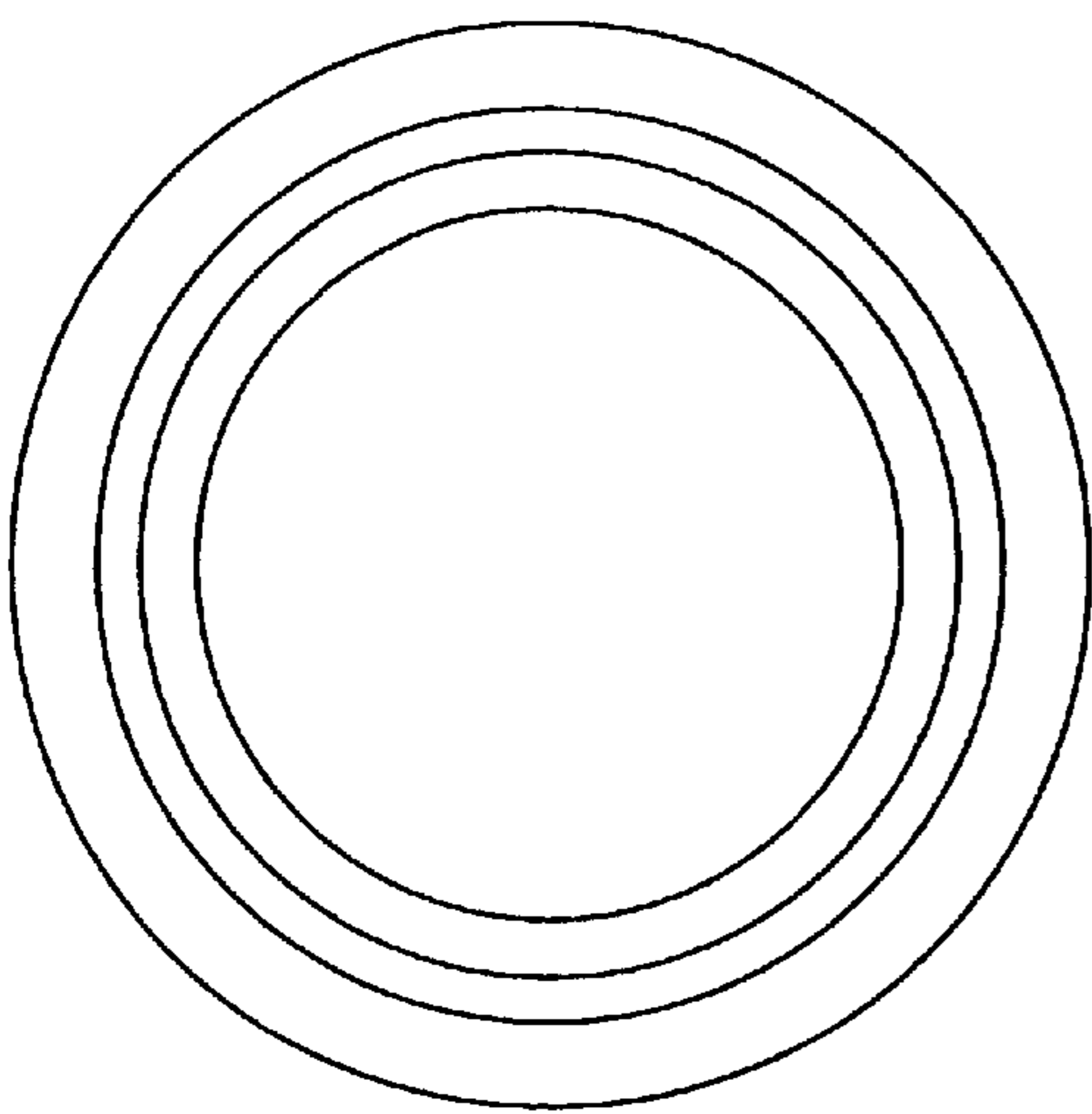


FIG. 5

