



US00D424073S

United States Patent [19]
Sodergard

[11] **Patent Number: Des. 424,073**

[45] **Date of Patent: ** May 2, 2000**

[54] **CUTTER FOR A PUMP**

4,904,159 2/1990 Wickoren 415/121.1
6,000,840 2/2000 Patterson 415/121.1

[75] Inventor: **Bengt Sodergard**, Uplands Vasby,
Sweden

Primary Examiner—Antoine Duval Davis
Attorney, Agent, or Firm—Menotti J. Lombardi

[73] Assignee: **ITT Manufacturing Enterprises, Inc.**,
Wilmington, Del.

[57] **CLAIM**

[**] Term: **14 Years**

The ornamental design for a cutter for a pump, as shown.

[21] Appl. No.: **29/094,265**

DESCRIPTION

[22] Filed: **Sep. 29, 1998**

FIG. 1 is a front perspective plan view of the cutter for a pump;

[51] **LOC (7) Cl.** **15-09**

[52] **U.S. Cl.** **D15/138**

FIG. 2 is a rear perspective plan view of the cutter for a pump; and,

[58] **Field of Search** D15/138, 139,
D15/147; 415/121.1, 143; 241/46.11

FIG. 3 is a side elevation view.

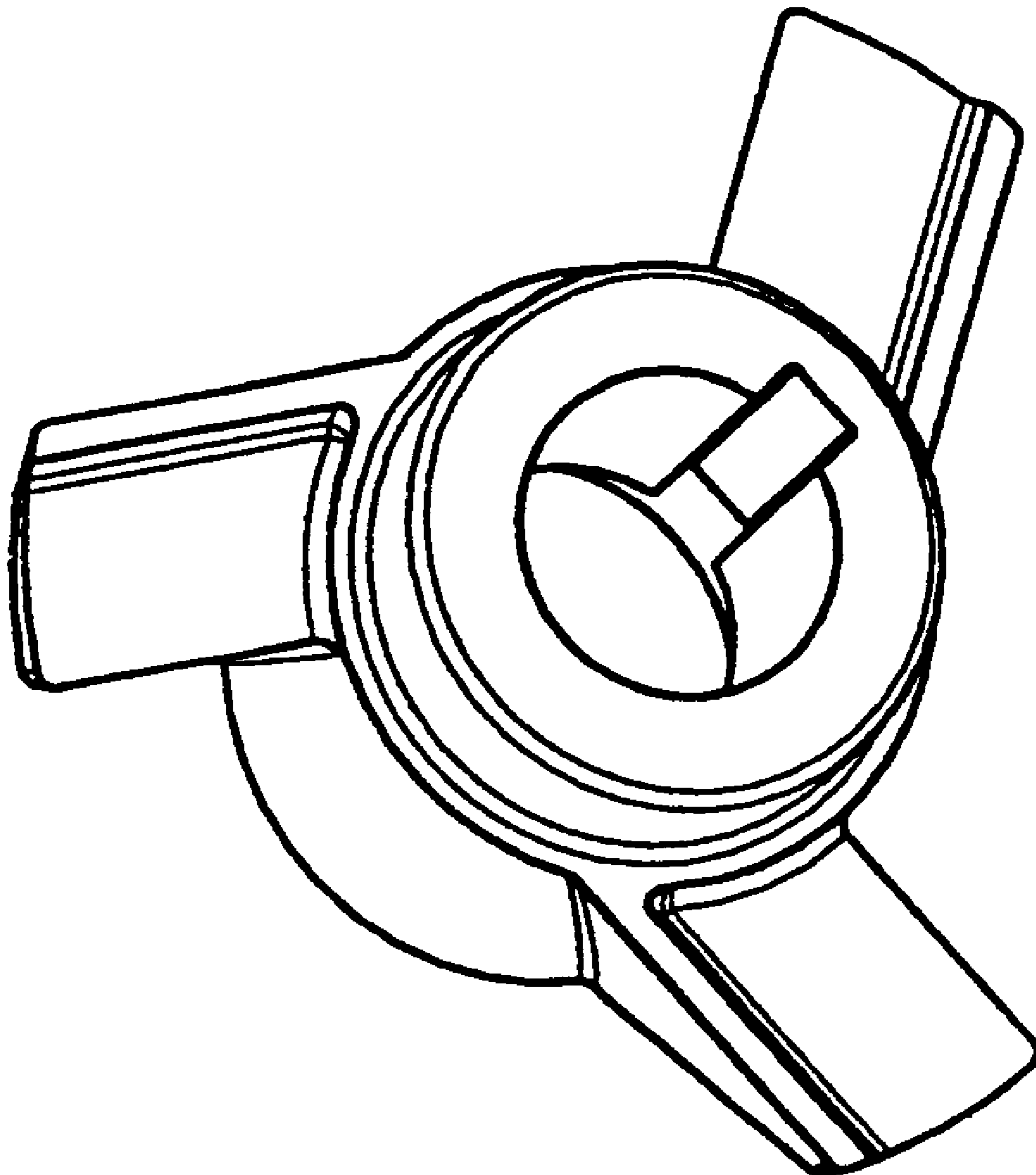
[56] **References Cited**

It is noted that the cutter for a pump is symmetrical about the peripheral side view.

U.S. PATENT DOCUMENTS

4,640,666 2/1987 Sodergard 415/121.1

1 Claim, 1 Drawing Sheet



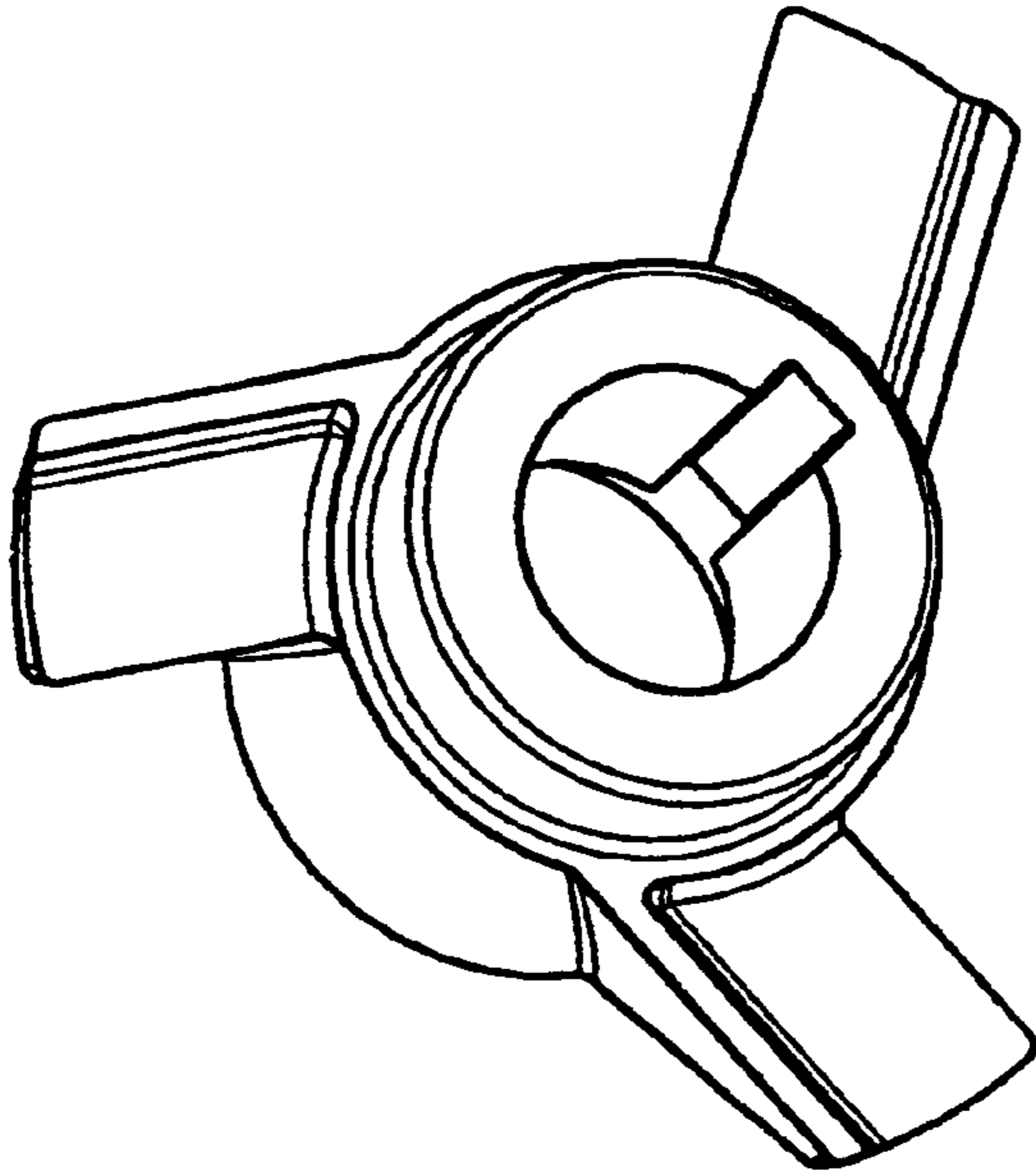


FIG. 1

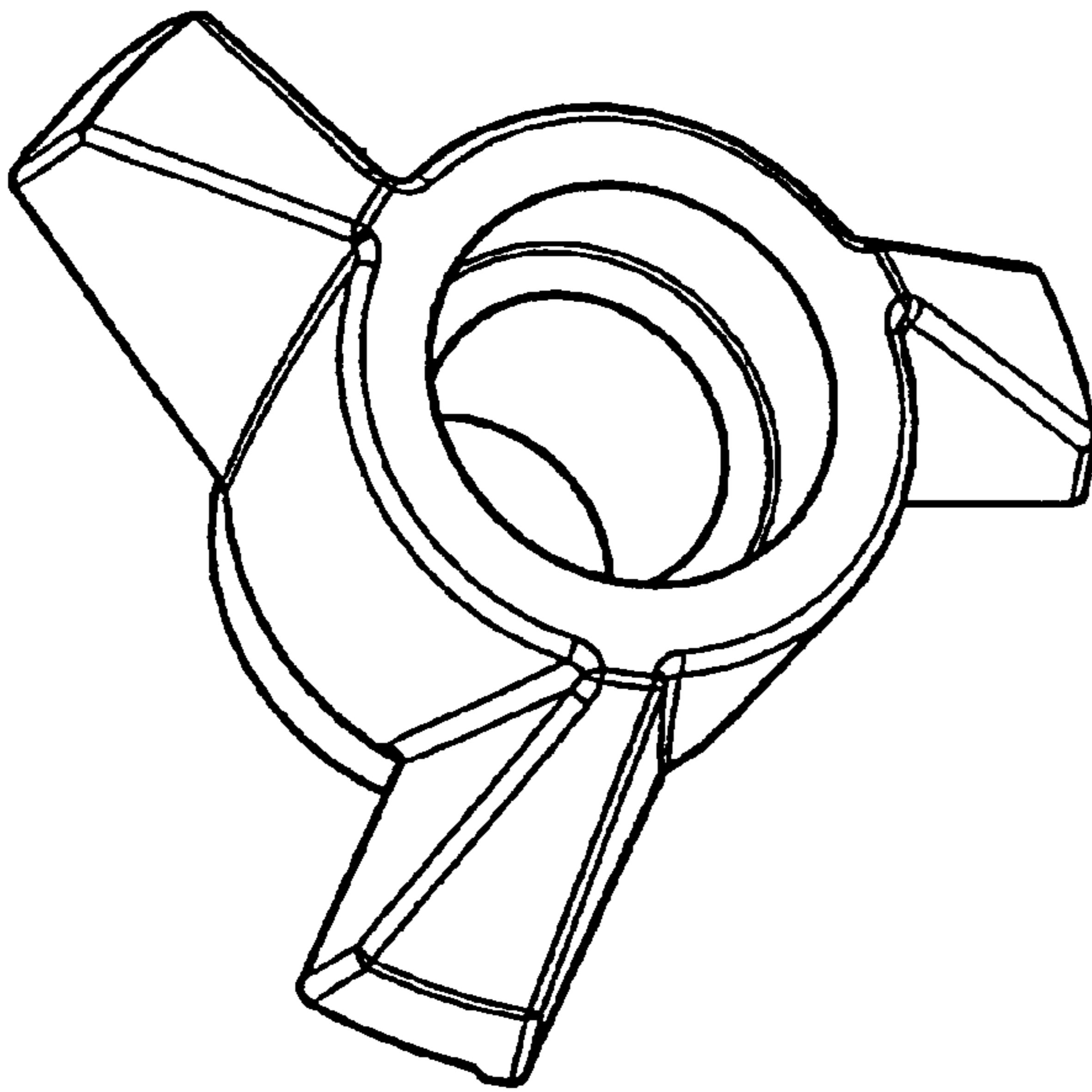


FIG. 2

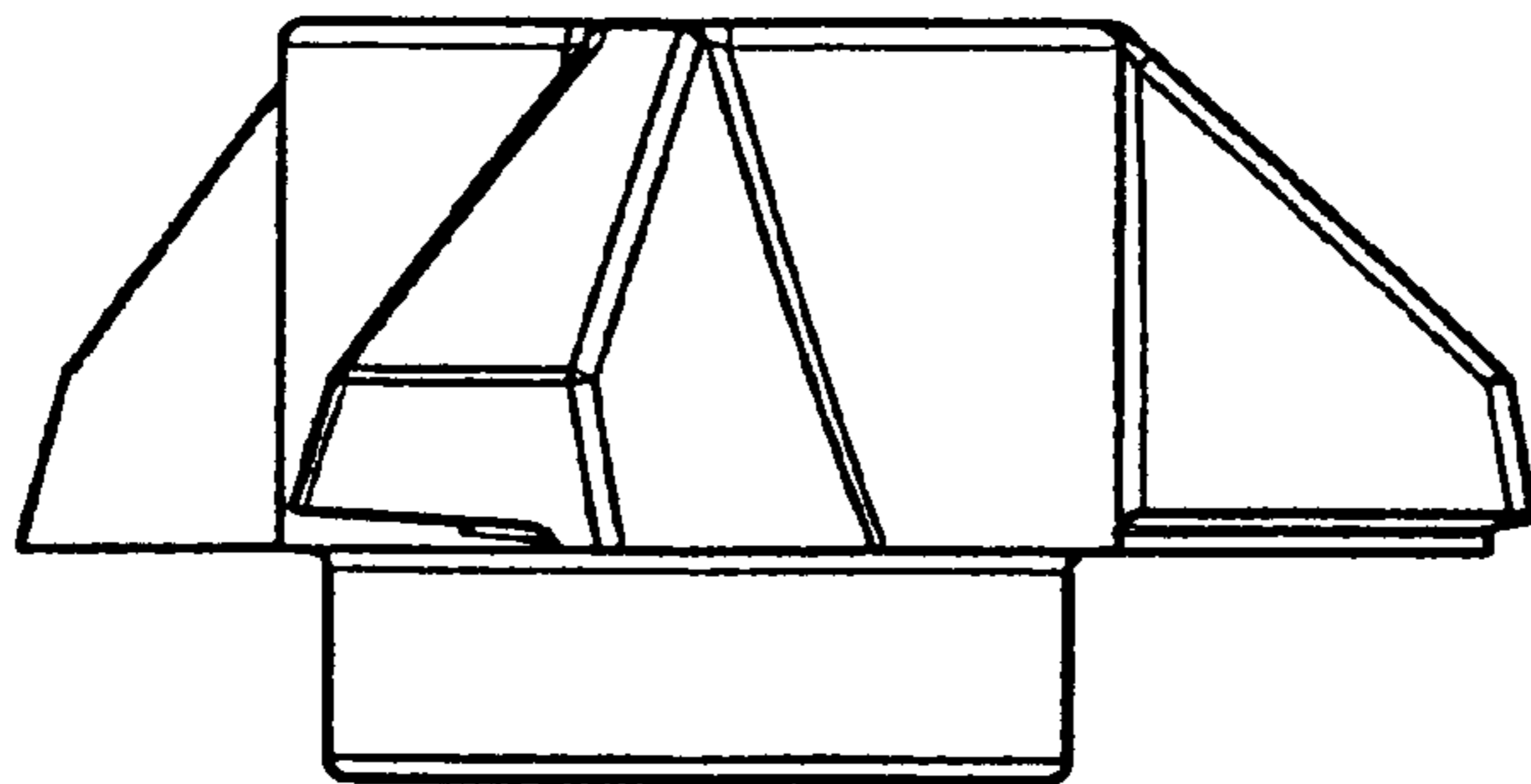


FIG. 3