



US00D424072S

# United States Patent [19]

Shibata et al.

[11] Patent Number: **Des. 424,072**

[45] Date of Patent: **\*\* May 2, 2000**

[54] **MITER SAW**

D. 388,443 12/1997 Kondo ..... D15/133  
5,870,939 2/1999 Matsubara ..... 83/471.3

[75] Inventors: **Yoshinori Shibata; Toshiyuki Kani,**  
both of Anjo, Japan

*Primary Examiner*—Antoine Duval Davis  
*Attorney, Agent, or Firm*—Dennison, Meserole, Scheiner &  
Schultz

[73] Assignee: **Makita Corporation,** Aichi-ken, Japan

[\*\*] Term: **14 Years**

## [57] CLAIM

[21] Appl. No.: **29/101,420**

The ornamental design for a miter saw, as shown and described.

[22] Filed: **Mar. 3, 1999**

## DESCRIPTION

[51] **LOC (7) Cl.** ..... **15-09**

FIG. 1 is a perspective view of a miter saw showing our new design.

[52] **U.S. Cl.** ..... **D15/133**

FIG. 2 is a front elevation view thereof;

[58] **Field of Search** ..... D15/133; 83/397,

FIG. 3 is a rear elevation view thereof;

83/471.1, 471.2, 471.3, 477, 581

FIG. 4 is a left side elevation view thereof;

## [56] References Cited

FIG. 5 is a right side elevation view thereof;

### U.S. PATENT DOCUMENTS

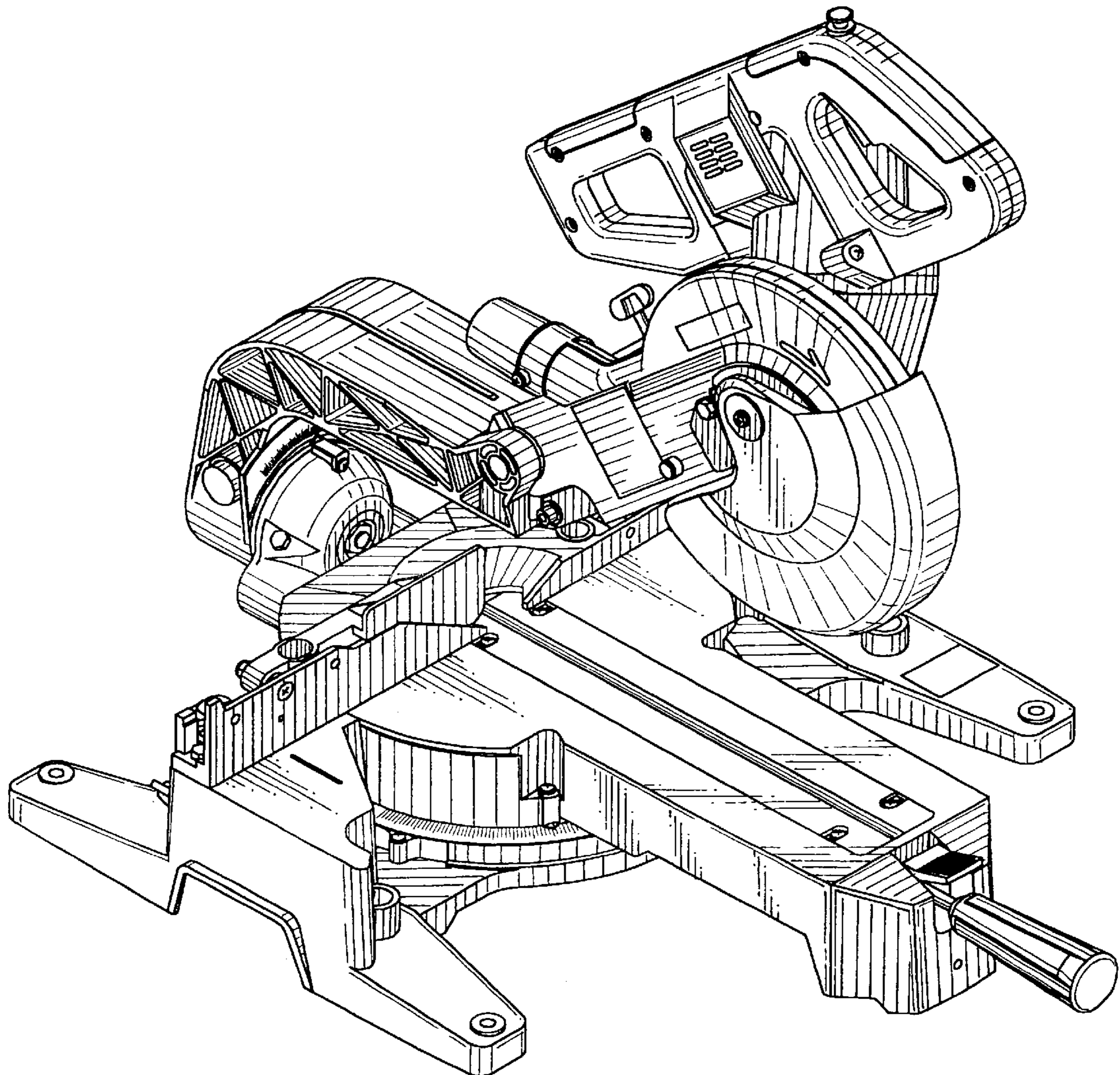
FIG. 6 is a top plan view thereof; and,

D. 331,416 12/1992 Fushiya et al. .

FIG. 7 is a bottom view thereof,

D. 383,472 9/1997 Higuchi et al. .

**1 Claim, 7 Drawing Sheets**



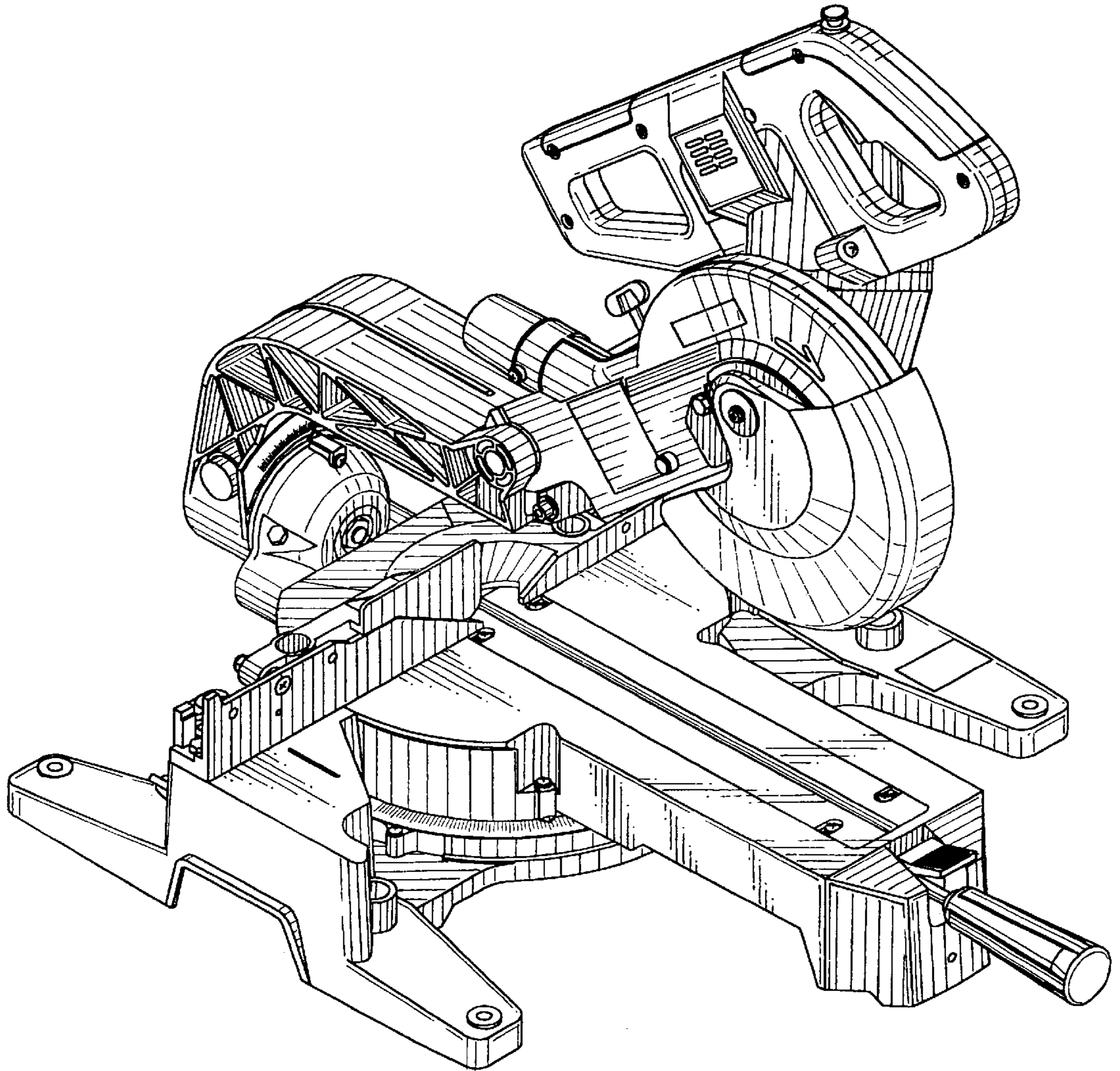


FIG. 1

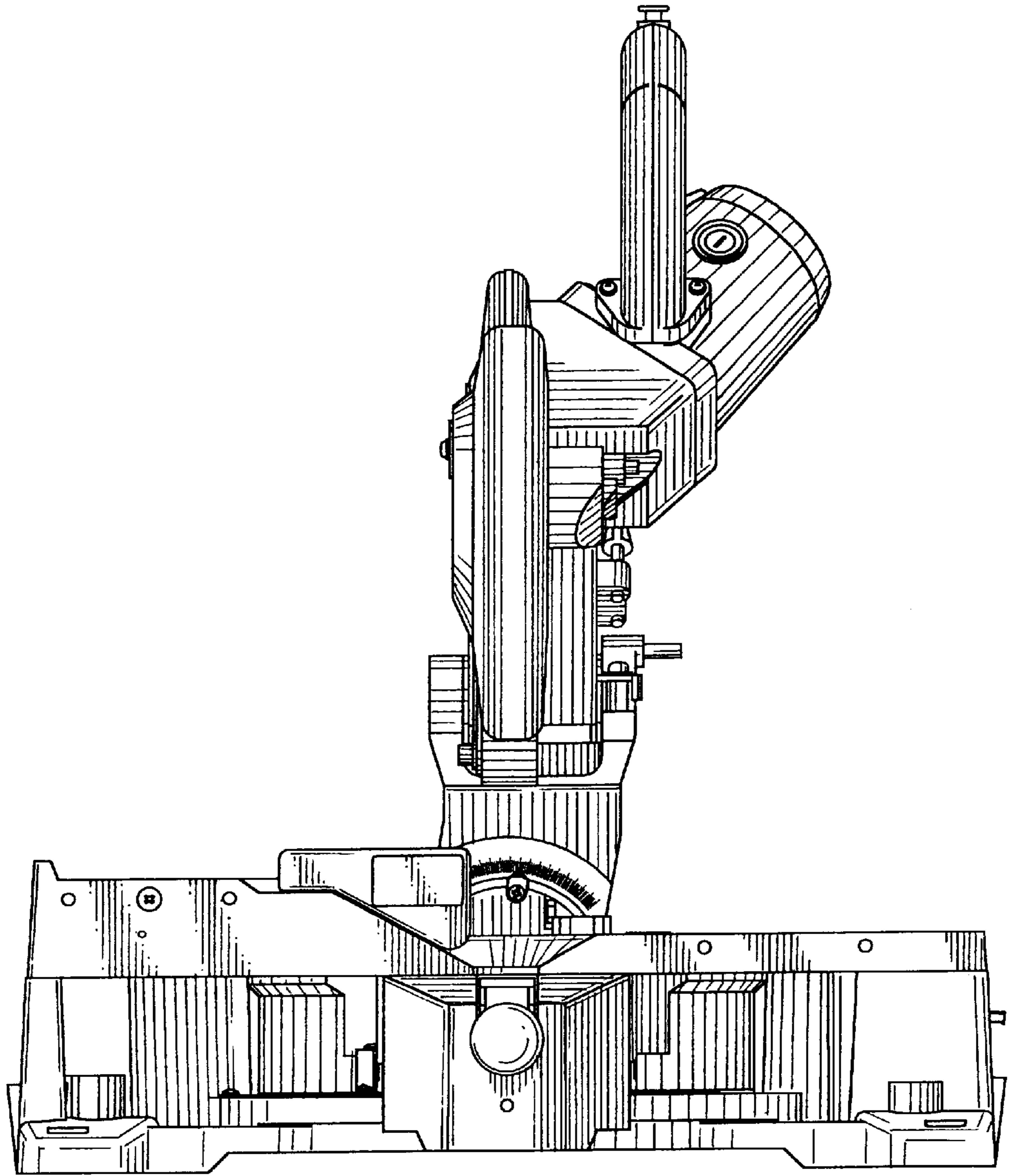


FIG. 2

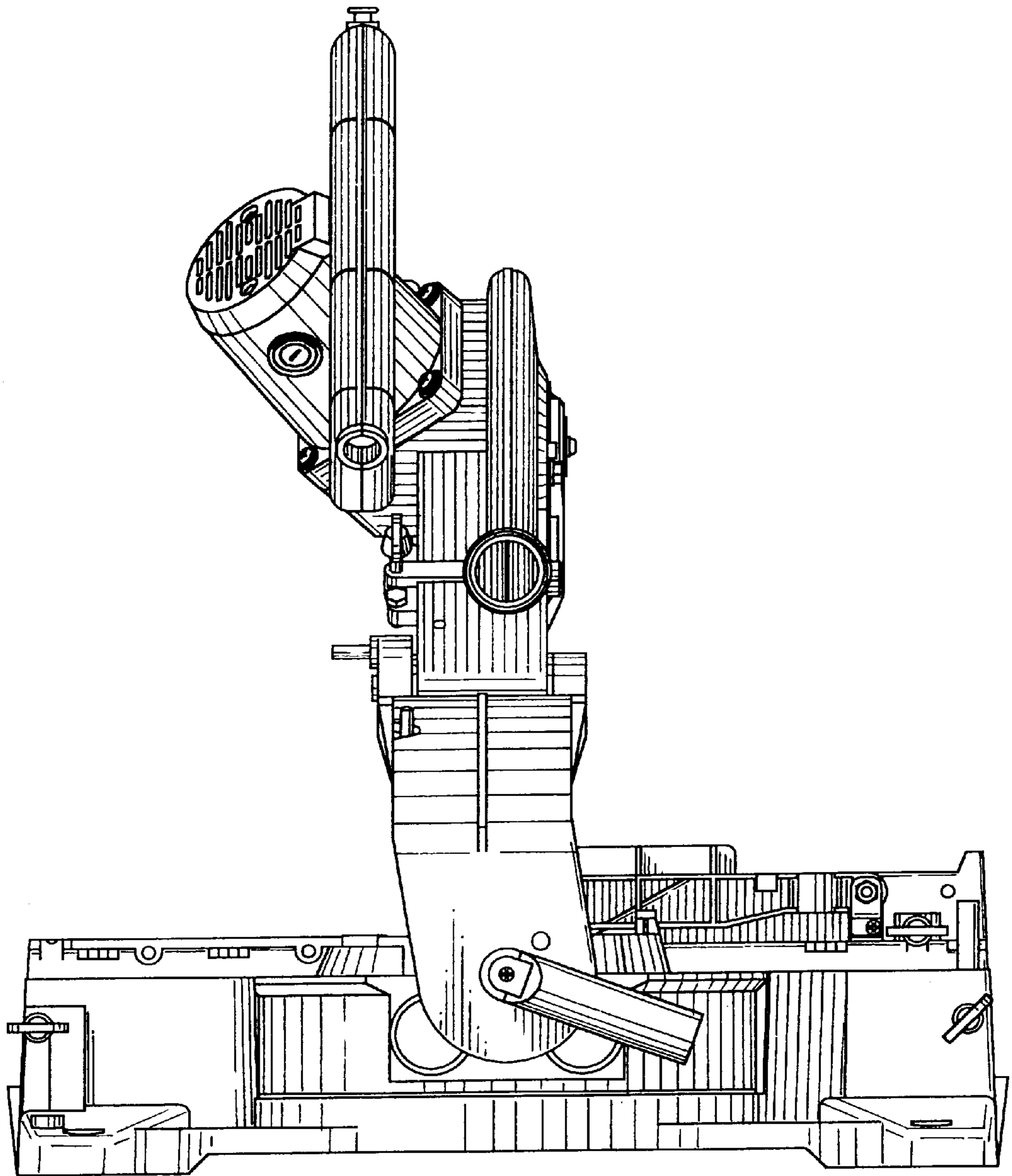


FIG. 3

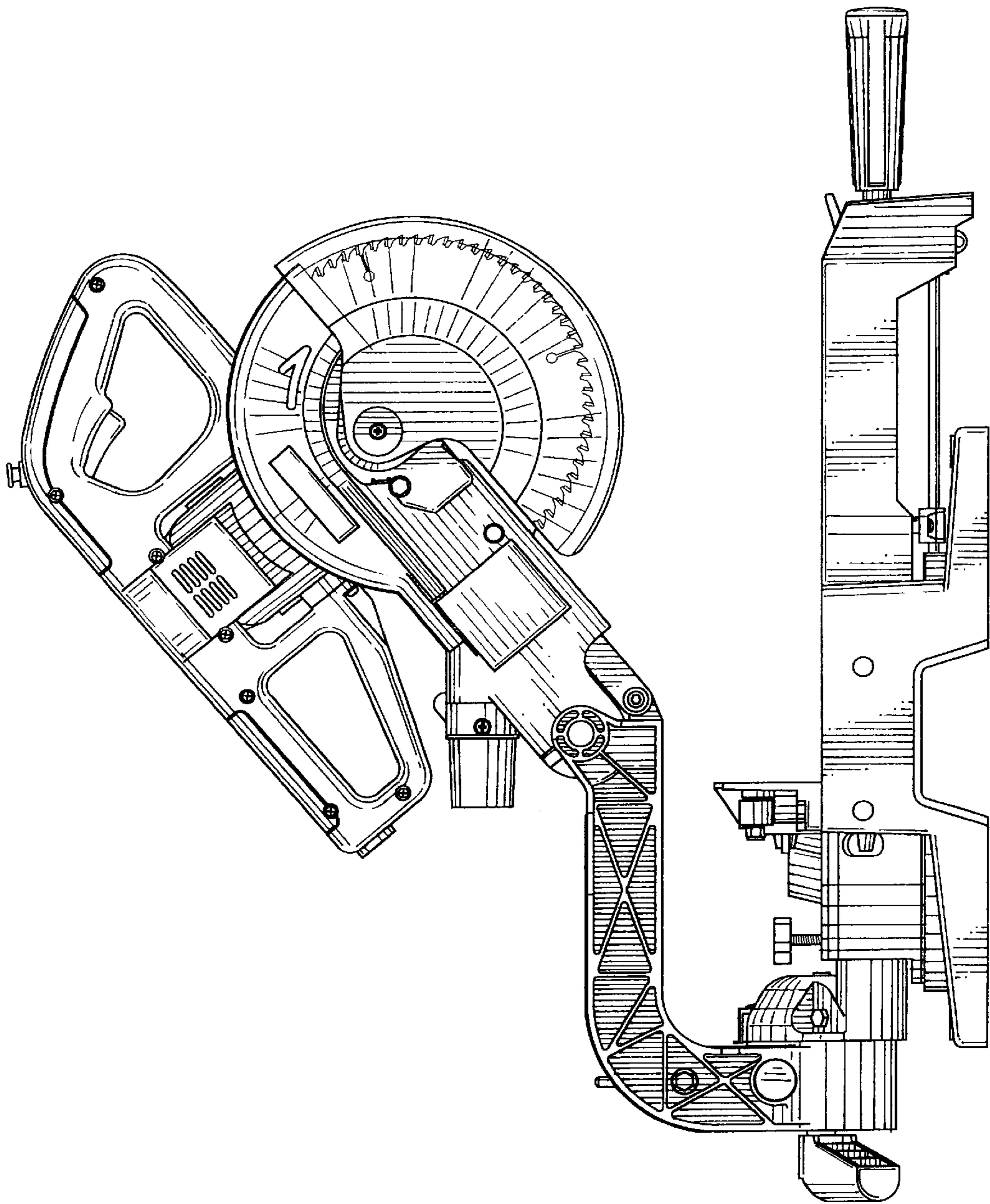


FIG. 4

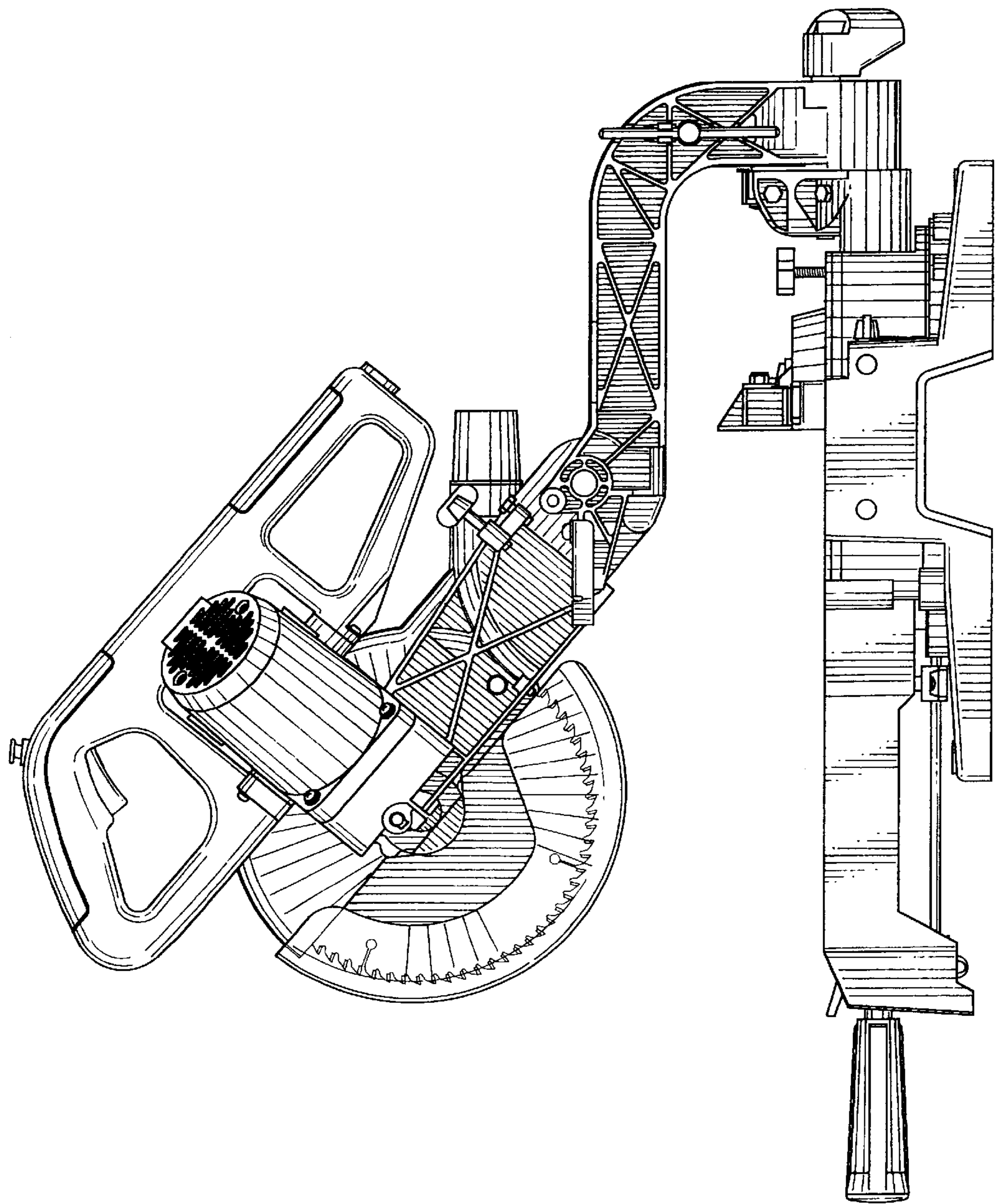


FIG. 5

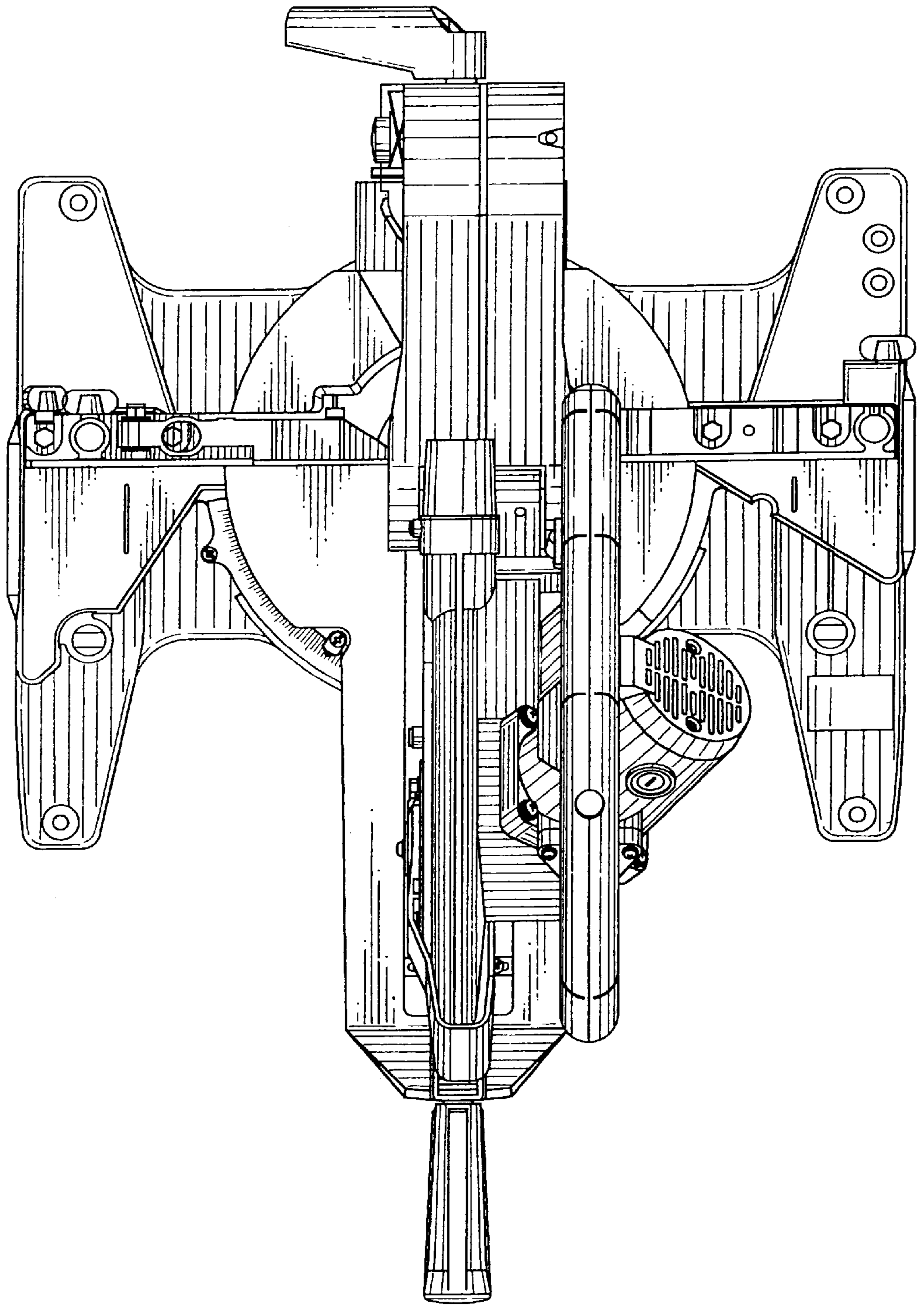


FIG. 6

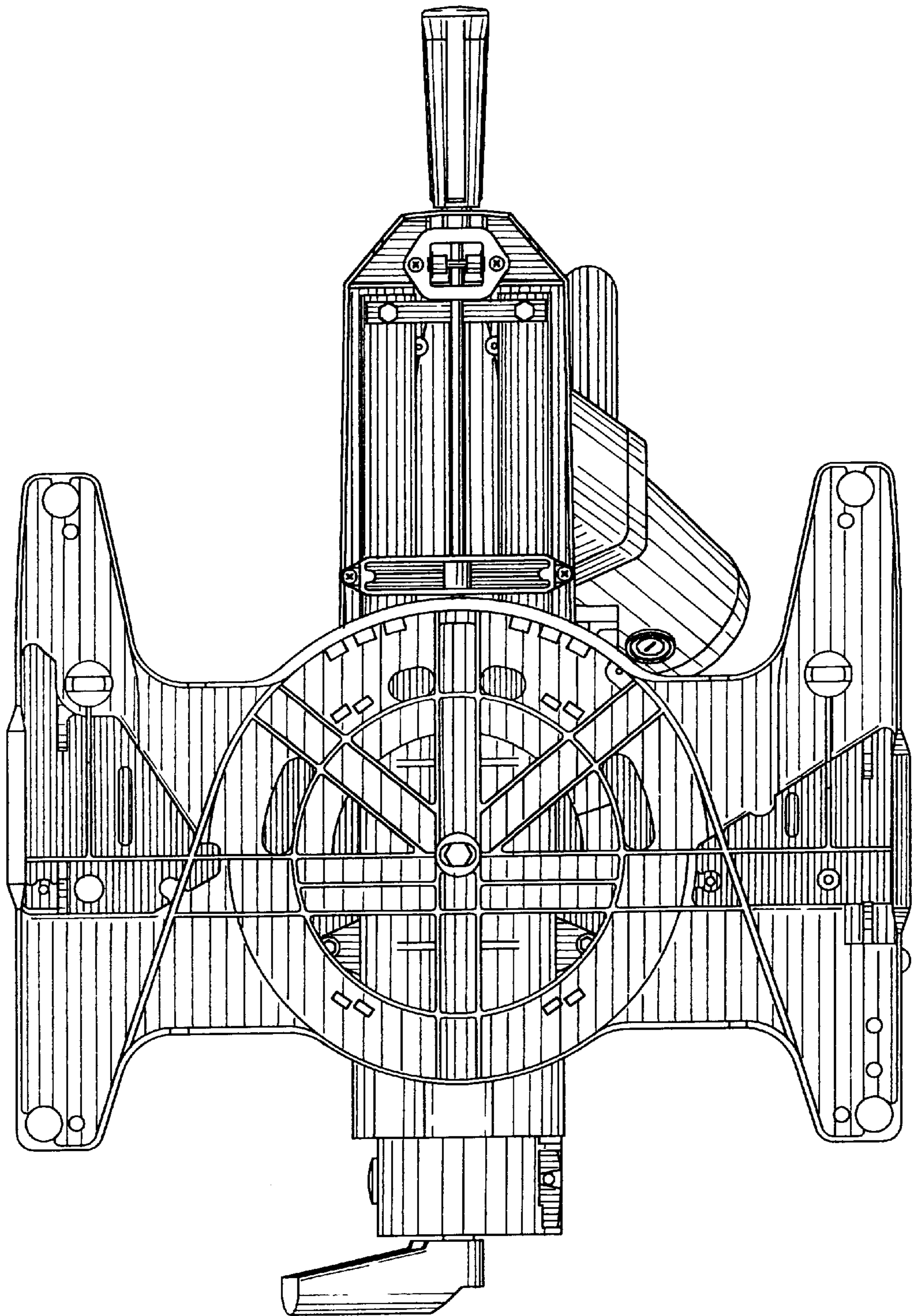


FIG. 7