



US00D424071S

# United States Patent [19]

Bickford et al.

[11] Patent Number: **Des. 424,071**

[45] Date of Patent: **\*\* May 2, 2000**

[54] **GROOMING MOWER**

5,816,035 10/1998 Schick ..... 56/15.2

[75] Inventors: **Richard E. Bickford**, Lindsborg; **Jack Robbins**, Derby, both of Kans.

[73] Assignee: **Great Plains Manufacturing, Incorporated**, Salina, Kans.

[\*\*] Term: **14 Years**

[21] Appl. No.: **29/100,765**

[22] Filed: **Feb. 16, 1999**

[51] **LOC (7) Cl.** ..... **15-03**

[52] **U.S. Cl.** ..... **D15/17; D15/27**

[58] **Field of Search** ..... D15/10, 14-17, D15/26, 27, 28; 56/6, 15.2, 15.6, 16.7, 17.1, 320.1, 320.2

### [56] **References Cited**

#### U.S. PATENT DOCUMENTS

D. 206,756	1/1967	Bottenberg .....	D15/17
D. 227,498	6/1973	McCanse et al. ....	D15/17
D. 344,738	3/1994	Young .....	D15/27
D. 345,168	3/1994	Cook et al. ....	D15/27
D. 394,662	5/1998	Grow .....	D15/27
4,912,915	4/1990	Smit .....	56/6

### OTHER PUBLICATIONS

Implement and Tractor, Feb. 1991. p. 8, Toro side-discharge deck.

John Deere Front Mowers, F1145/F900 Series. p. 7, side-discharge mower.

*Primary Examiner*—Sandra L. Morris

*Attorney, Agent, or Firm*—Hovey, Williams, Timmons & Collins

### [57] **CLAIM**

The ornamental design for a grooming mower, as shown and described.

### **DESCRIPTION**

FIG. 1 is a top right front perspective view of a grooming mower embodying our design in accordance with the present invention;

FIG. 2 is a top left rear perspective view thereof;

FIG. 3 is a front elevational view thereof;

FIG. 4 is a rear elevational view thereof;

FIG. 5 is a right side elevational view thereof;

FIG. 6 is a left side elevational view thereof; and,

FIG. 7 is a top plan view thereof.

**1 Claim, 5 Drawing Sheets**

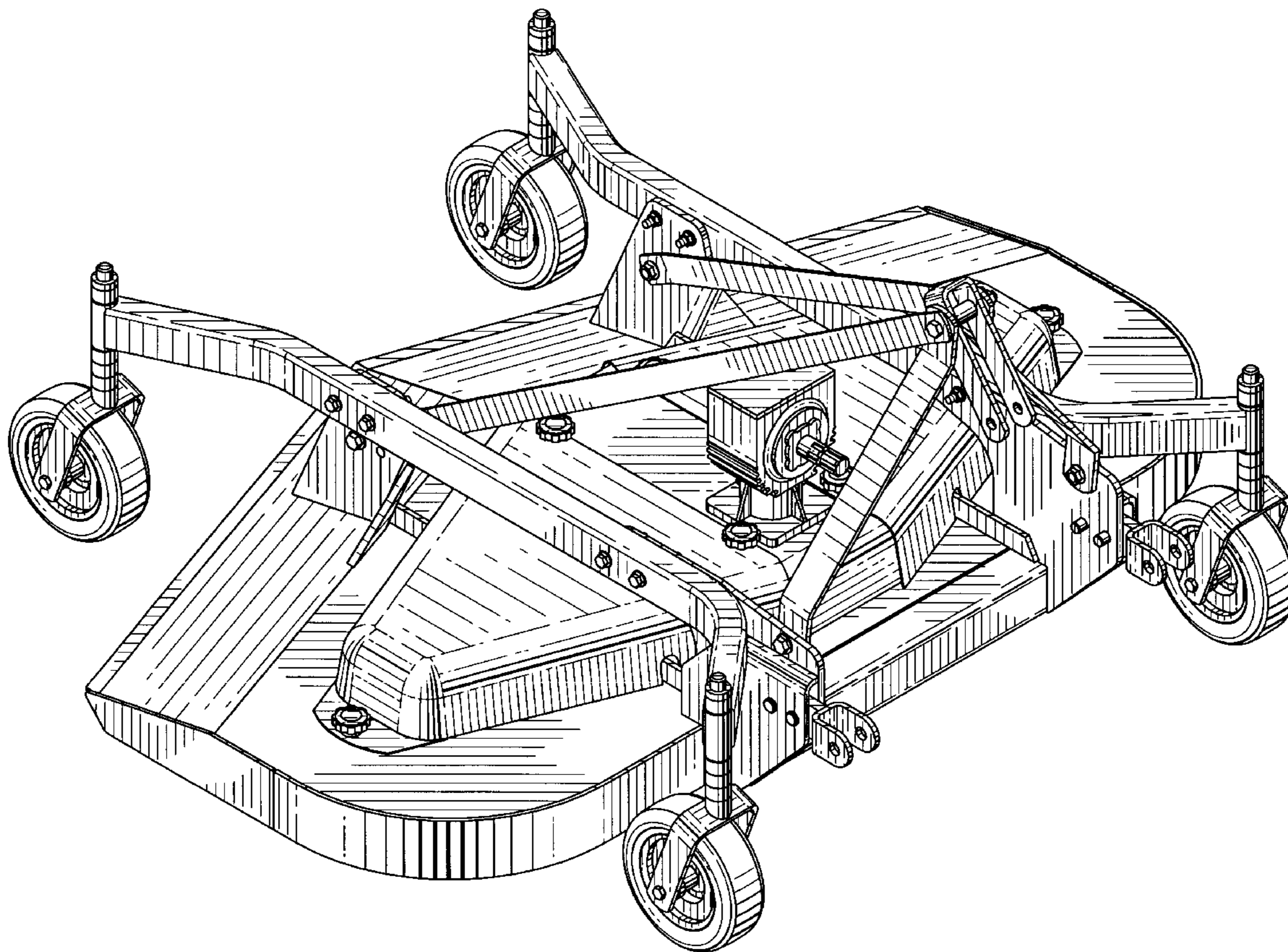


FIG. 1.

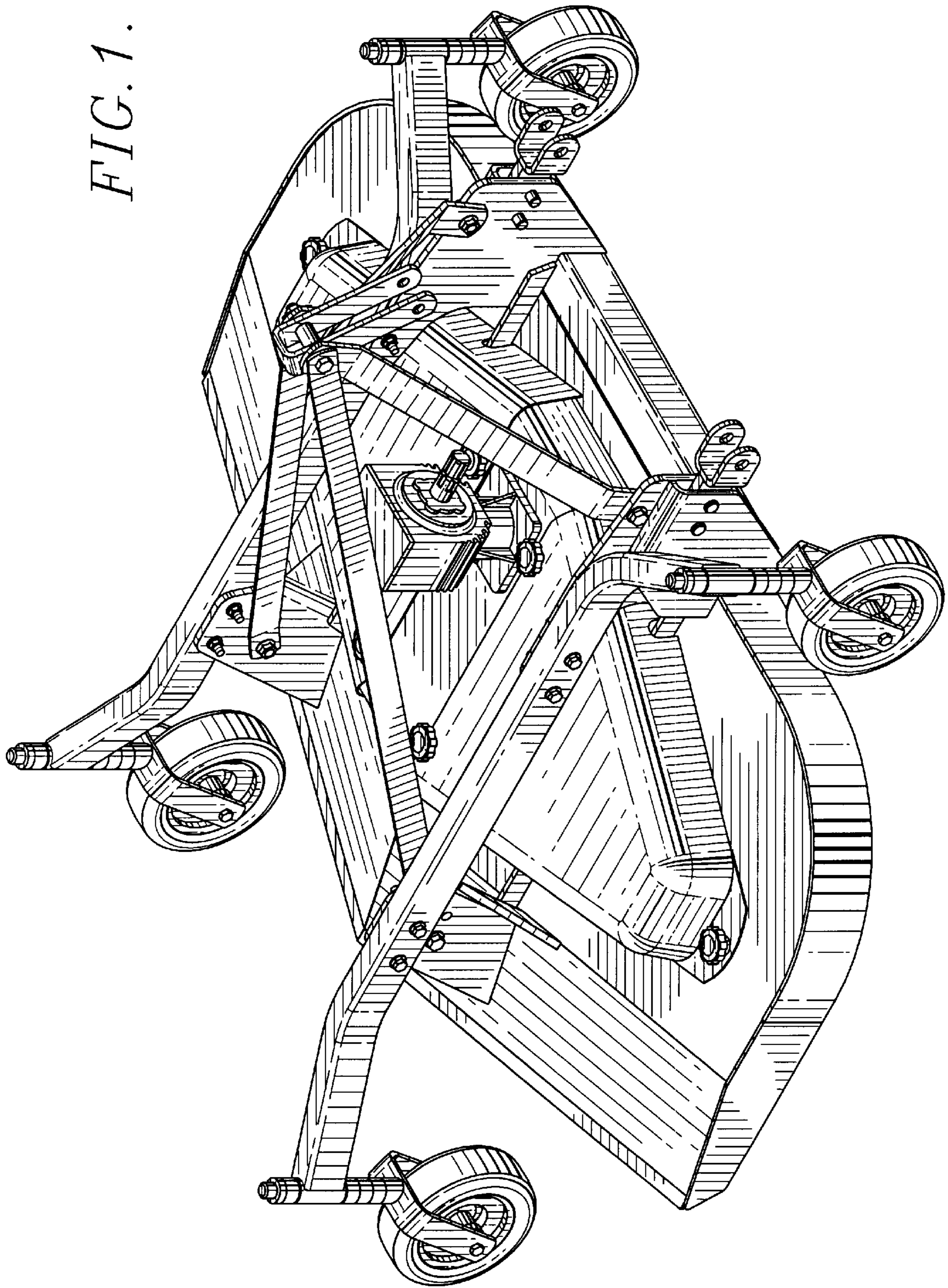
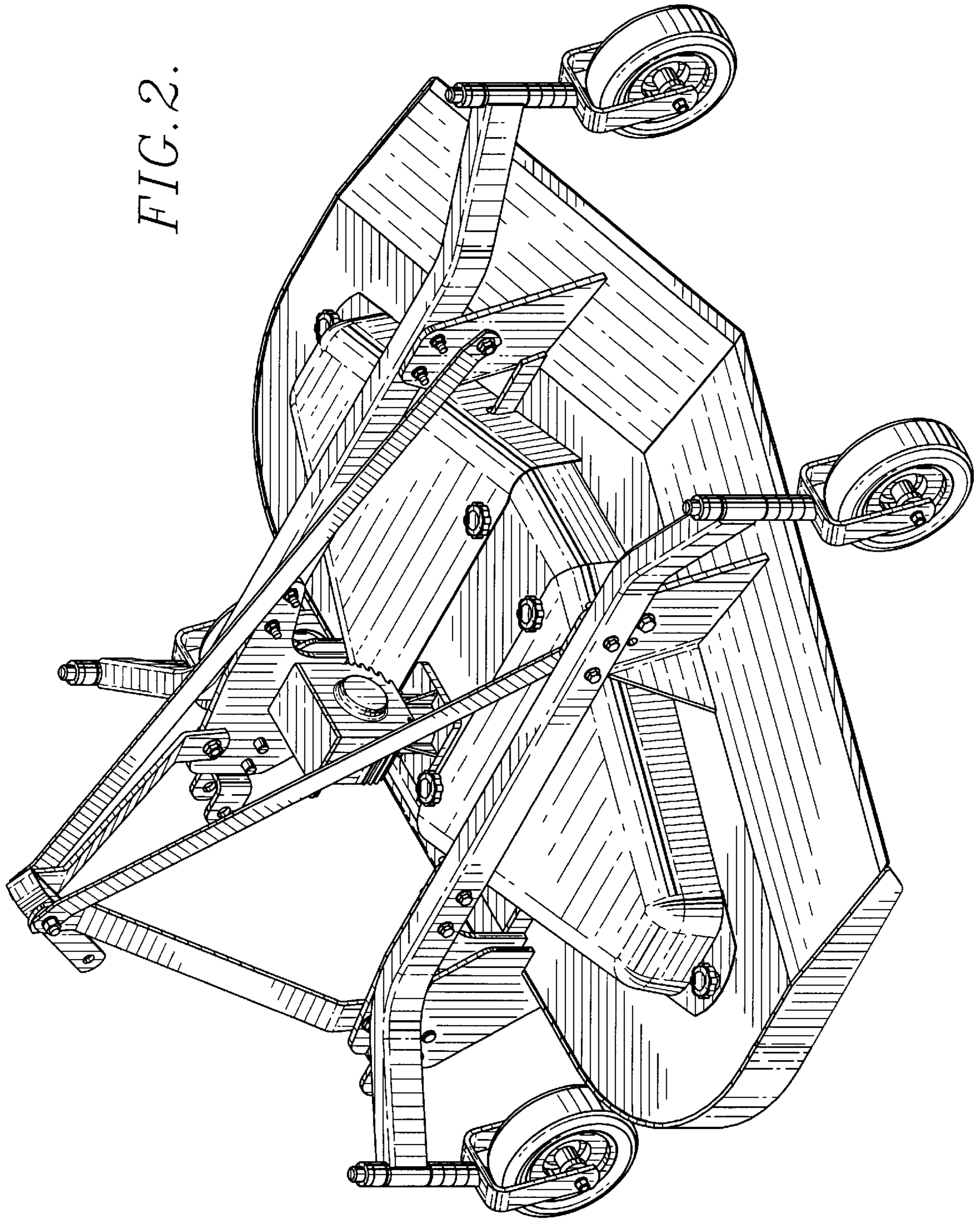
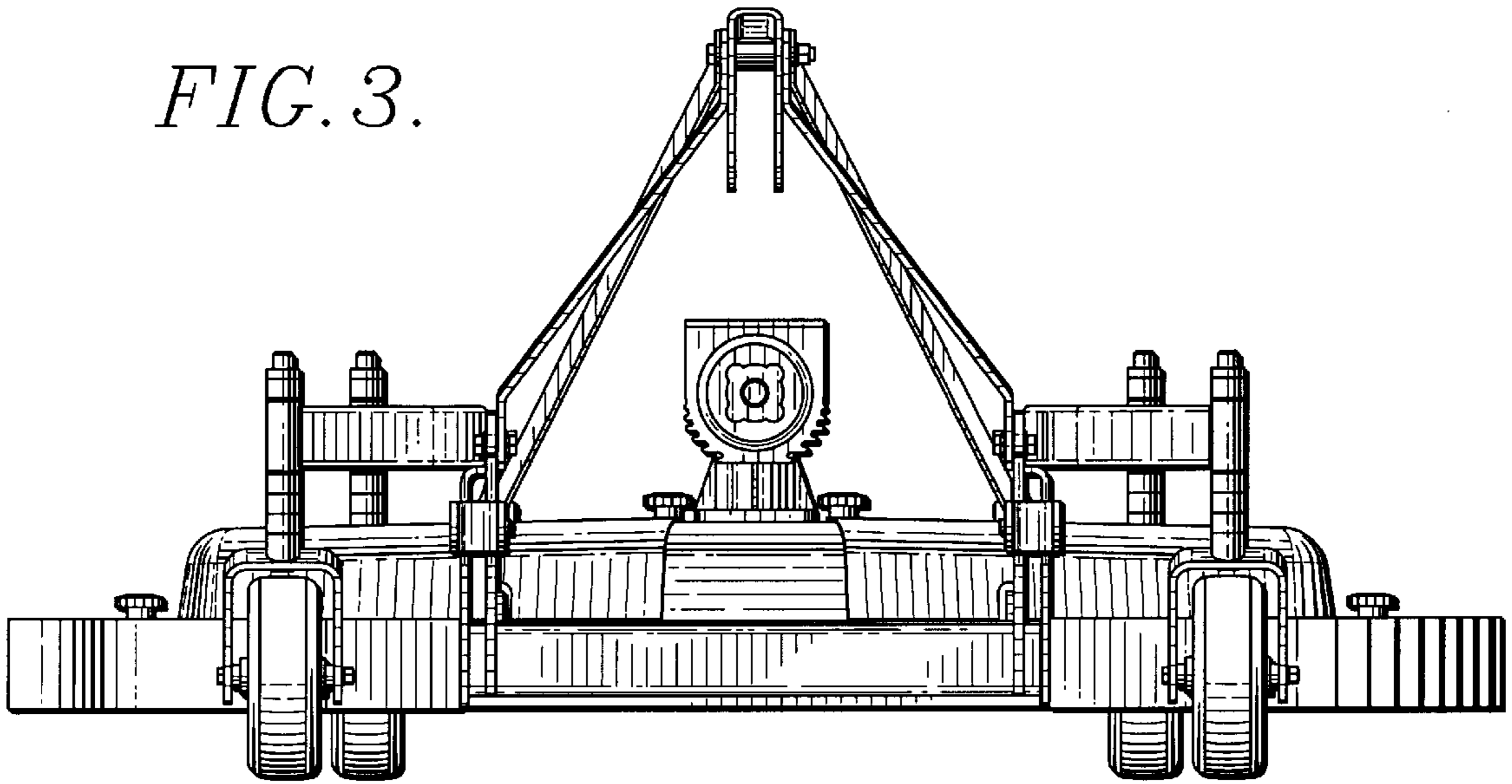


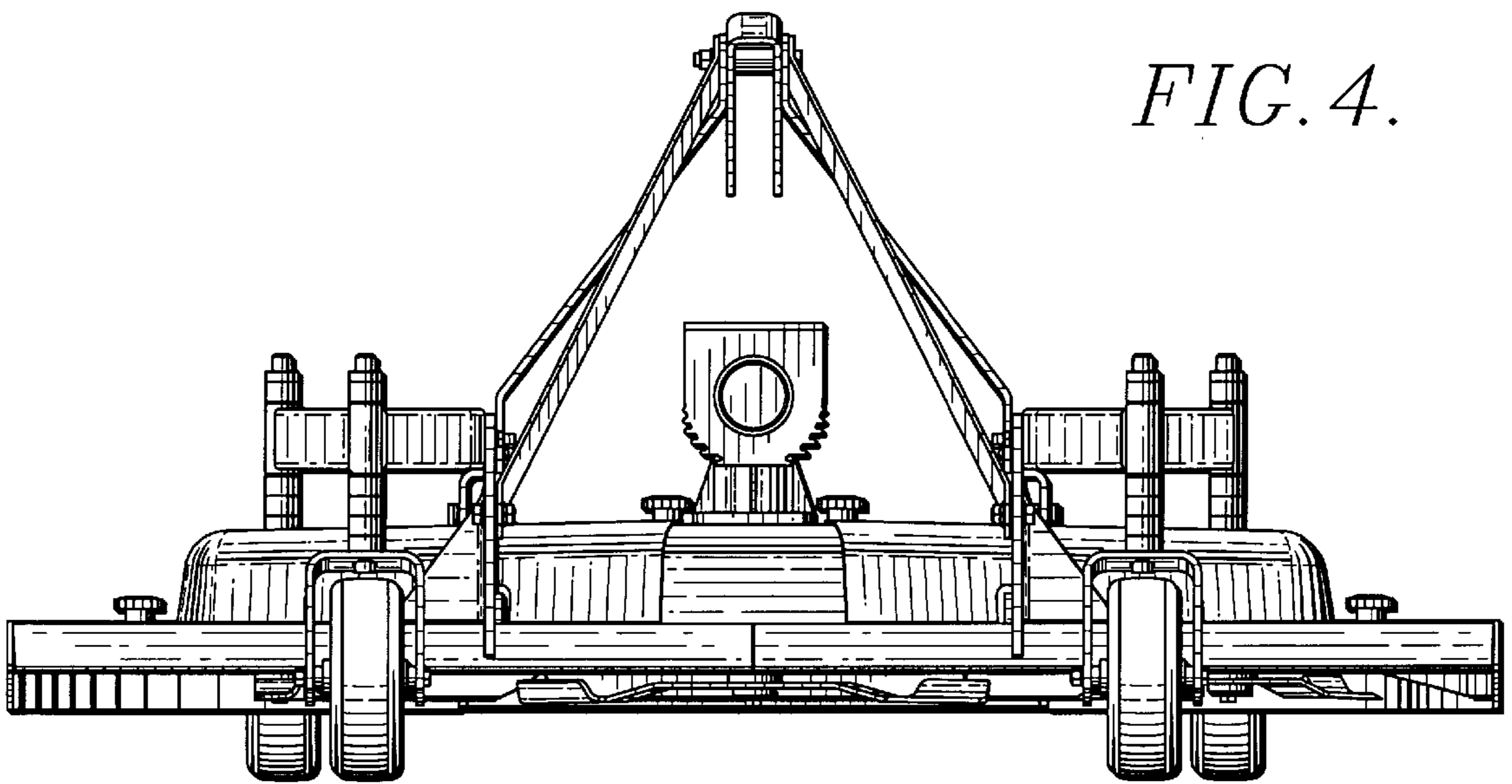
FIG. 2.



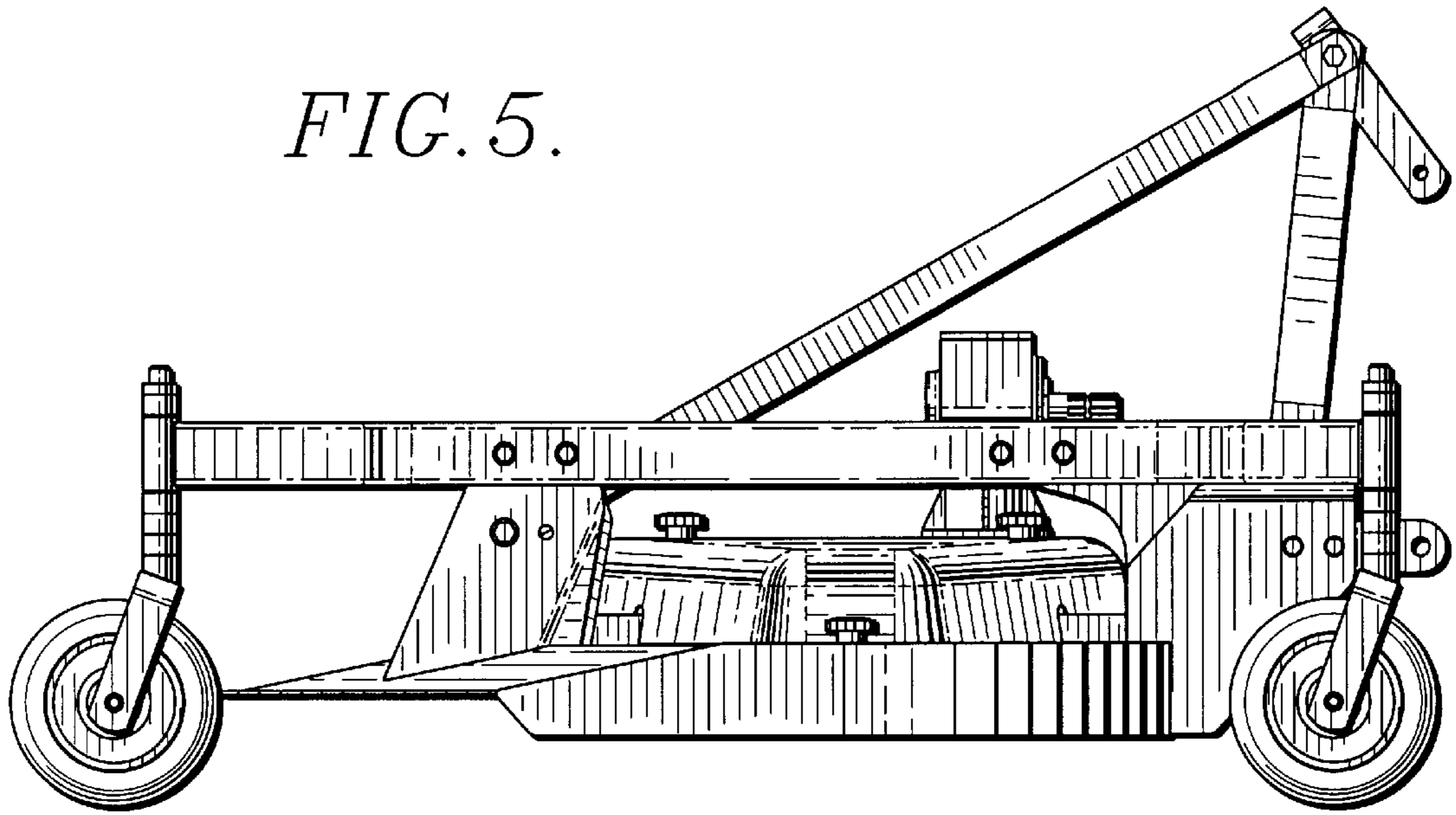
*FIG. 3.*



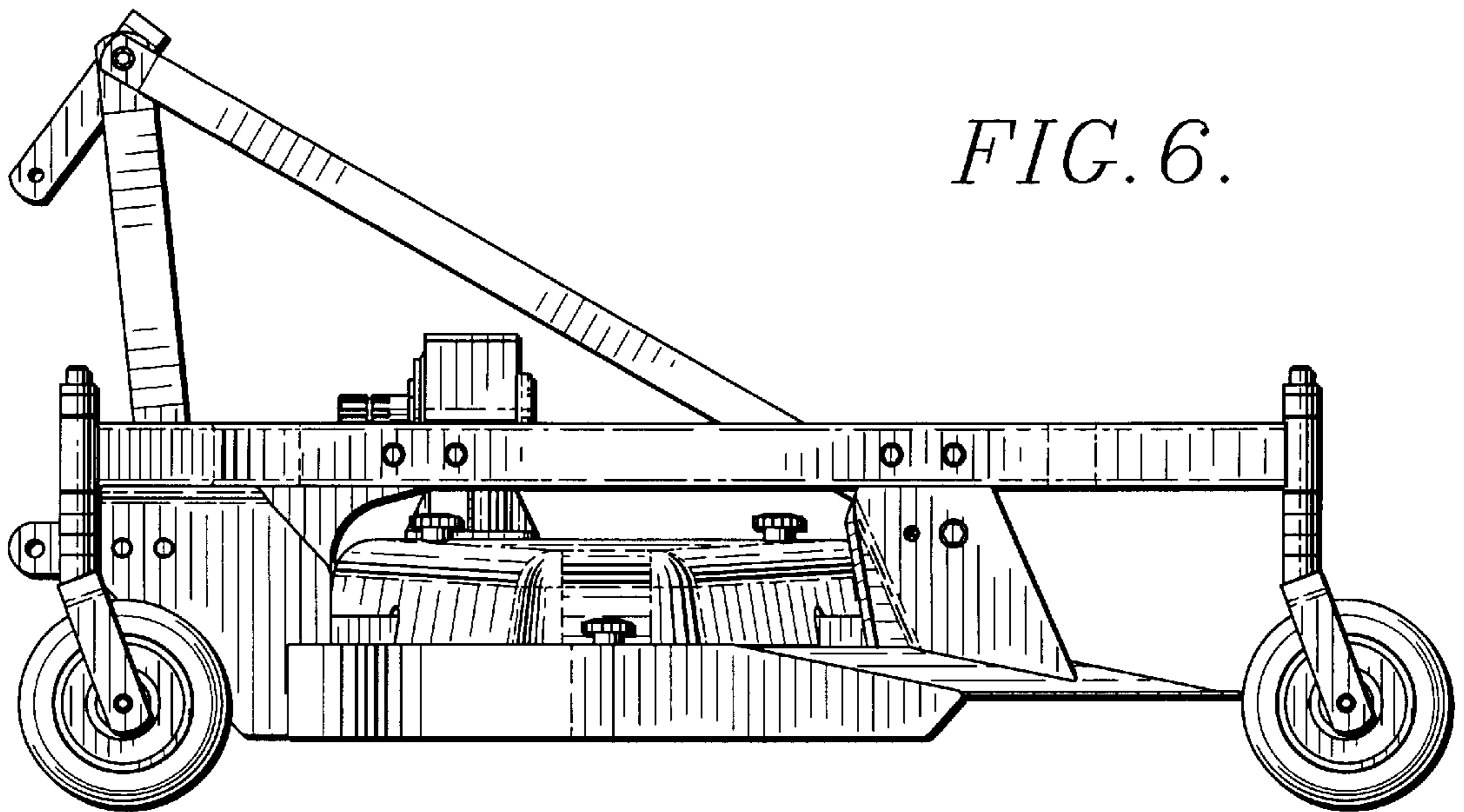
*FIG. 4.*



*FIG. 5.*



*FIG. 6.*



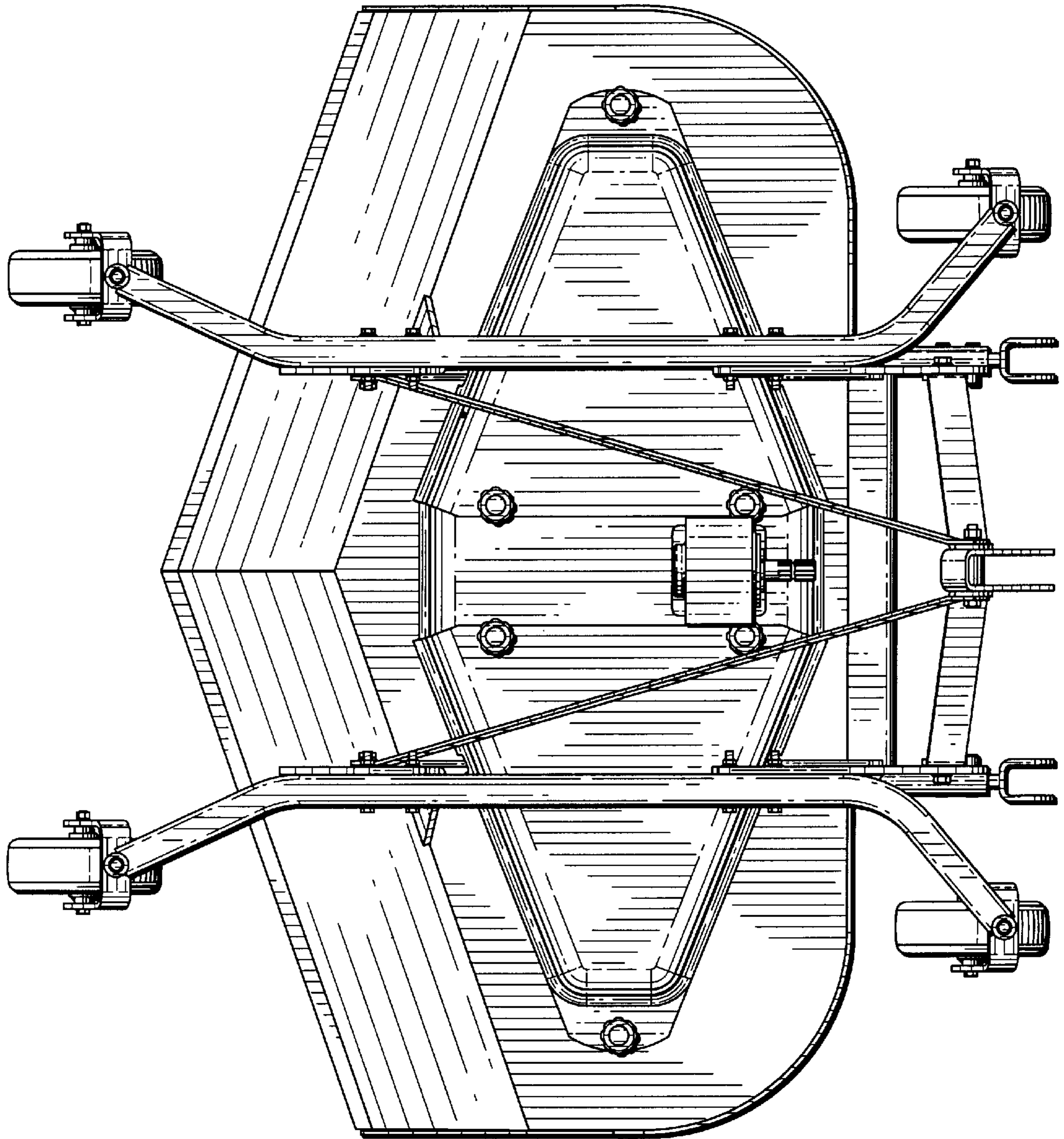


FIG. 7.