



US00D424068S

United States Patent [19] Takemasa

[11] **Patent Number: Des. 424,068**

[45] **Date of Patent: ** May 2, 2000**

[54] **DISPLAY DEVICE**

[75] Inventor: **Hirofumi Takemasa**, Osaka, Japan

[73] Assignee: **Matsushita Electric Industrial Co., Ltd.**

[**] Term: **14 Years**

[21] Appl. No.: **29/098,822**

[22] Filed: **Jan. 6, 1999**

[30] **Foreign Application Priority Data**

Jul. 13, 1998 [JP] Japan 10-20285

[51] **LOC (7) Cl.** **14-02**

[52] **U.S. Cl.** **D14/374; D14/126**

[58] **Field of Search** D14/371, 374, D14/375, 376, 382, 379, 126-129; 345/104, 133, 156, 168, 173; 348/180, 184, 325, 739; 341/12; 349/1, 2, 11, 62

[56] **References Cited**

U.S. PATENT DOCUMENTS

- D. 382,259 8/1997 Nagai et al. D14/374
- D. 392,628 3/1998 Hayashi .
- D. 395,453 6/1998 Kawasaki et al. .

- D. 395,454 6/1998 Hayashi .
- D. 396,222 7/1998 Morgan et al. D14/374
- D. 403,309 12/1999 Takemasa et al. D14/374
- D. 417,659 12/1999 Takemasa D14/113

FOREIGN PATENT DOCUMENTS

- 970972 12/1996 Japan .
- 1007923 4/1998 Japan .
- 1010556 5/1998 Japan .
- 1010557 5/1998 Japan .

Primary Examiner—Freda Nunn
Attorney, Agent, or Firm—Saidman DesignLaw Group

[57] **CLAIM**

The ornamental design for a display device, as shown and described.

DESCRIPTION

FIG. 1 is a perspective view of the top, front and right side of a display device showing my new design;
FIG. 2 is a front elevational view thereof;
FIG. 3 is a top plan view thereof;
FIG. 4 is a left side view thereof;
FIG. 5 is a right side view thereof;
FIG. 6 is a rear elevational view thereof; and,
FIG. 7 is a bottom view thereof.

1 Claim, 3 Drawing Sheets

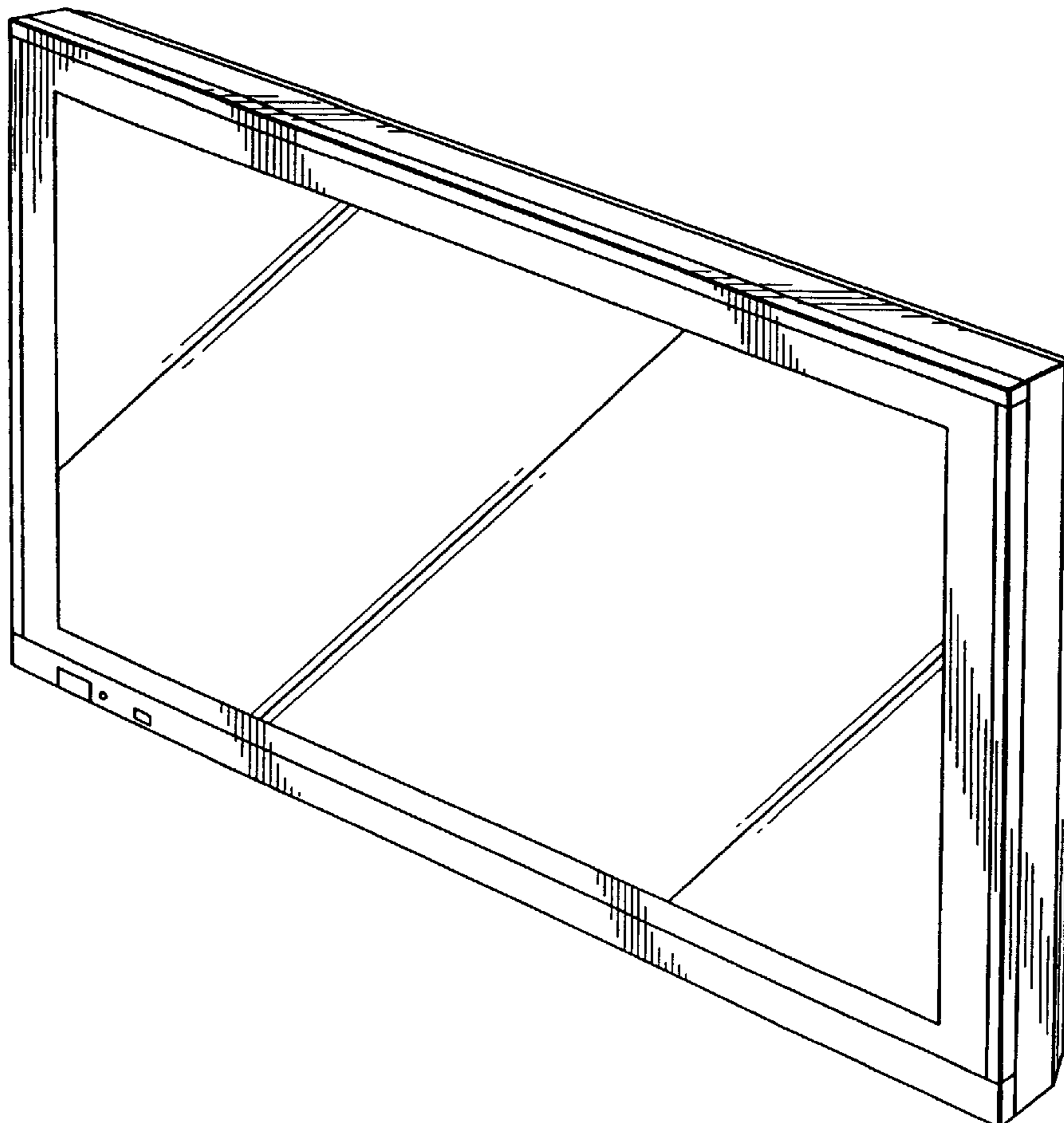


FIG. 1

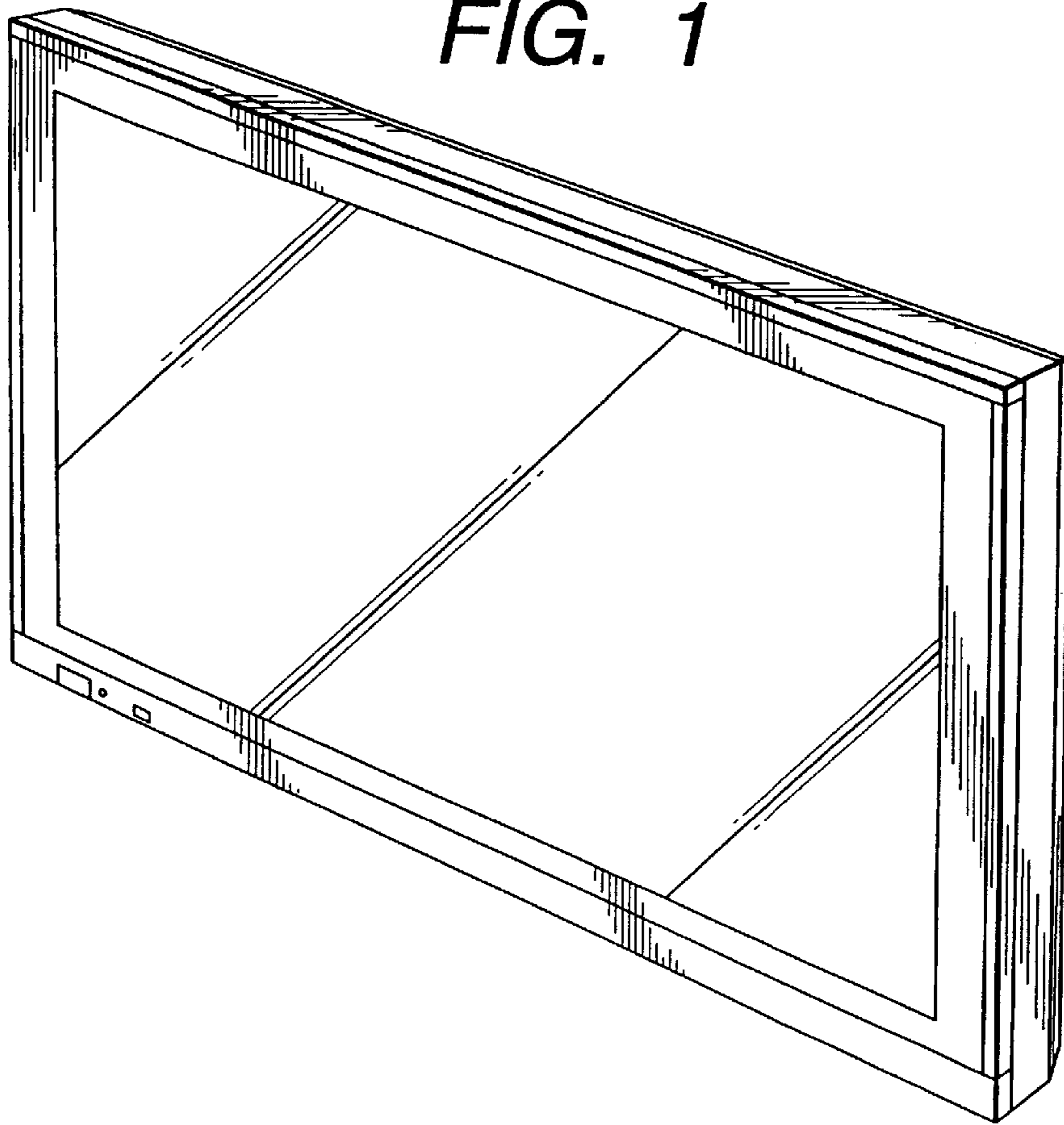


FIG. 2

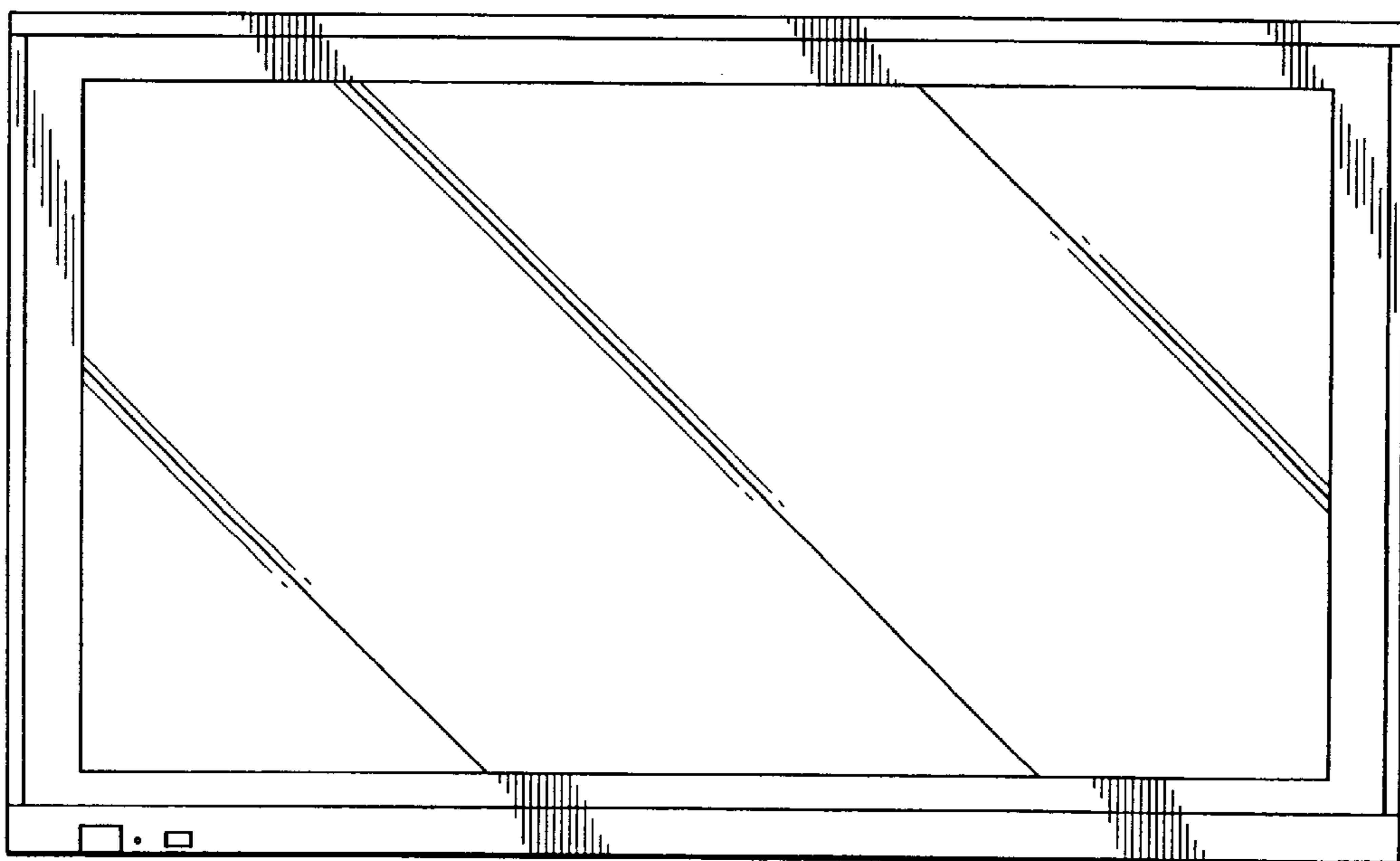


FIG. 3

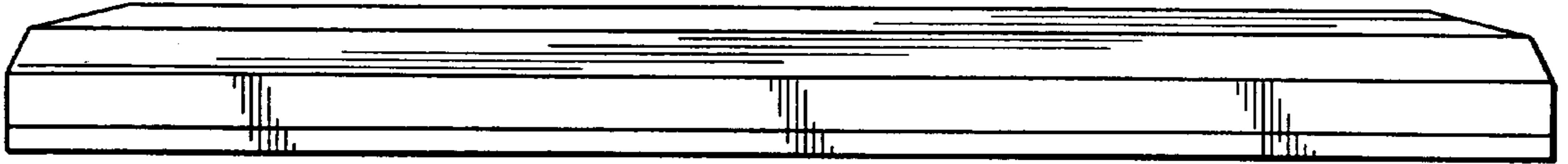


FIG. 4



FIG. 5



FIG. 6

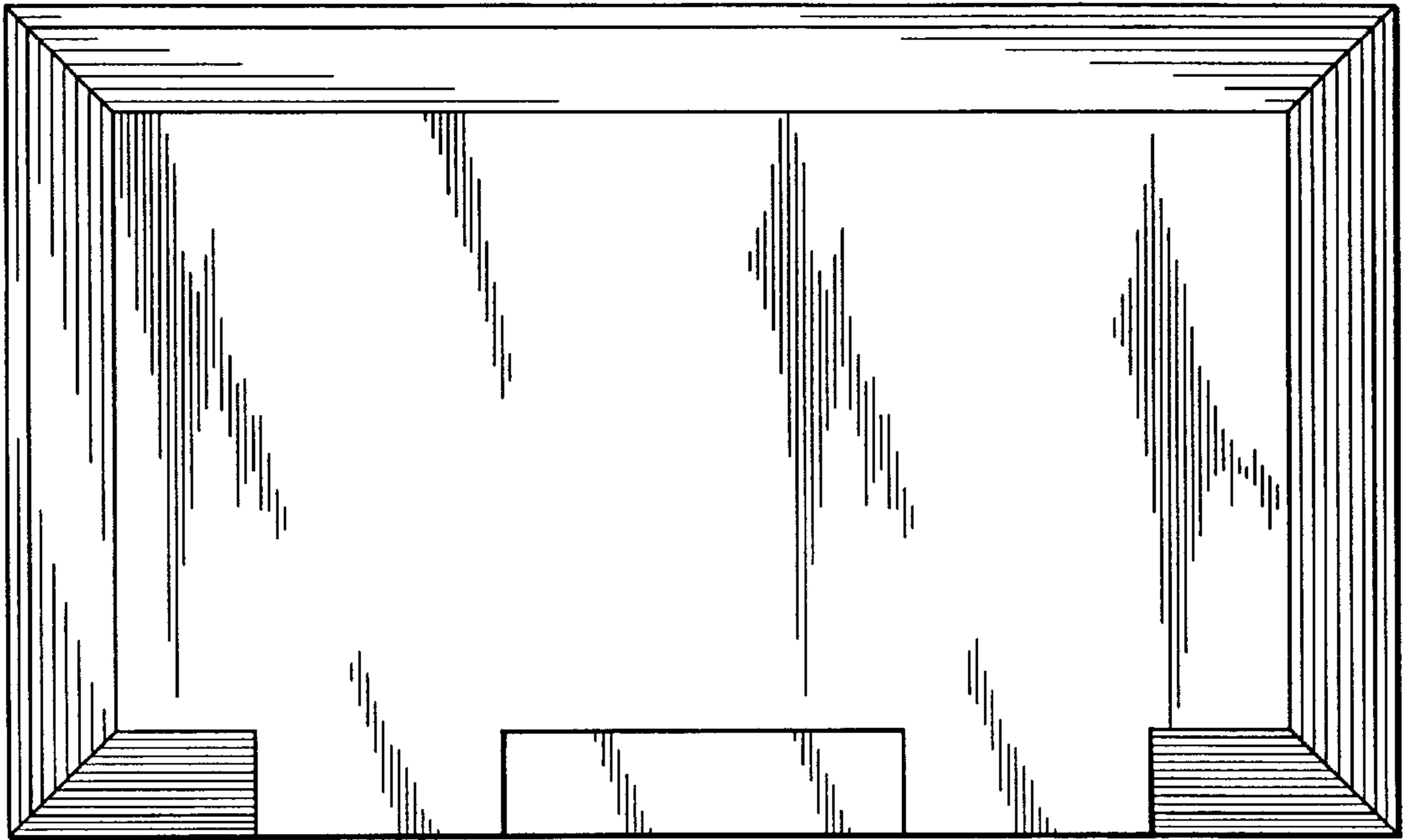


FIG. 7

