



US00D424067S

**United States Patent** [19]  
**Teulie**

[11] **Patent Number: Des. 424,067**  
[45] **Date of Patent: \*\* May 2, 2000**

[54] **PAIR OF HANDLES FOR A POWER AMPLIFIER**

[75] Inventor: **Doug Teulie**, Aliso Viejo, Calif.  
[73] Assignee: **QSC Audio, Inc.**, Costa Mesa, Calif.  
[\*\*] Term: **14 Years**

[21] Appl. No.: **29/103,876**  
[22] Filed: **Apr. 23, 1999**

[51] **LOC (7) Cl.** ..... **14-99**  
[52] **U.S. Cl.** ..... **D14/265; D14/188**  
[58] **Field of Search** ..... **D8/301, 307, 353; D14/137, 155, 168, 172, 188, 189, 193-198, 257, 265, 299; 16/124**

[56] **References Cited**

**U.S. PATENT DOCUMENTS**

D. 187,224 2/1960 Jakeway ..... D8/307 X  
D. 324,816 3/1992 LeDuc ..... D8/353  
D. 394,858 6/1998 Wordinger et al. .... D14/188

**OTHER PUBLICATIONS**

Electronic Hardware Specialists, p. 82, Multi-Purpose Utility Handles, part No. 27560, Jul. 1978.

*Primary Examiner*—Nanda Bondade  
*Attorney, Agent, or Firm*—Michael D. Scott

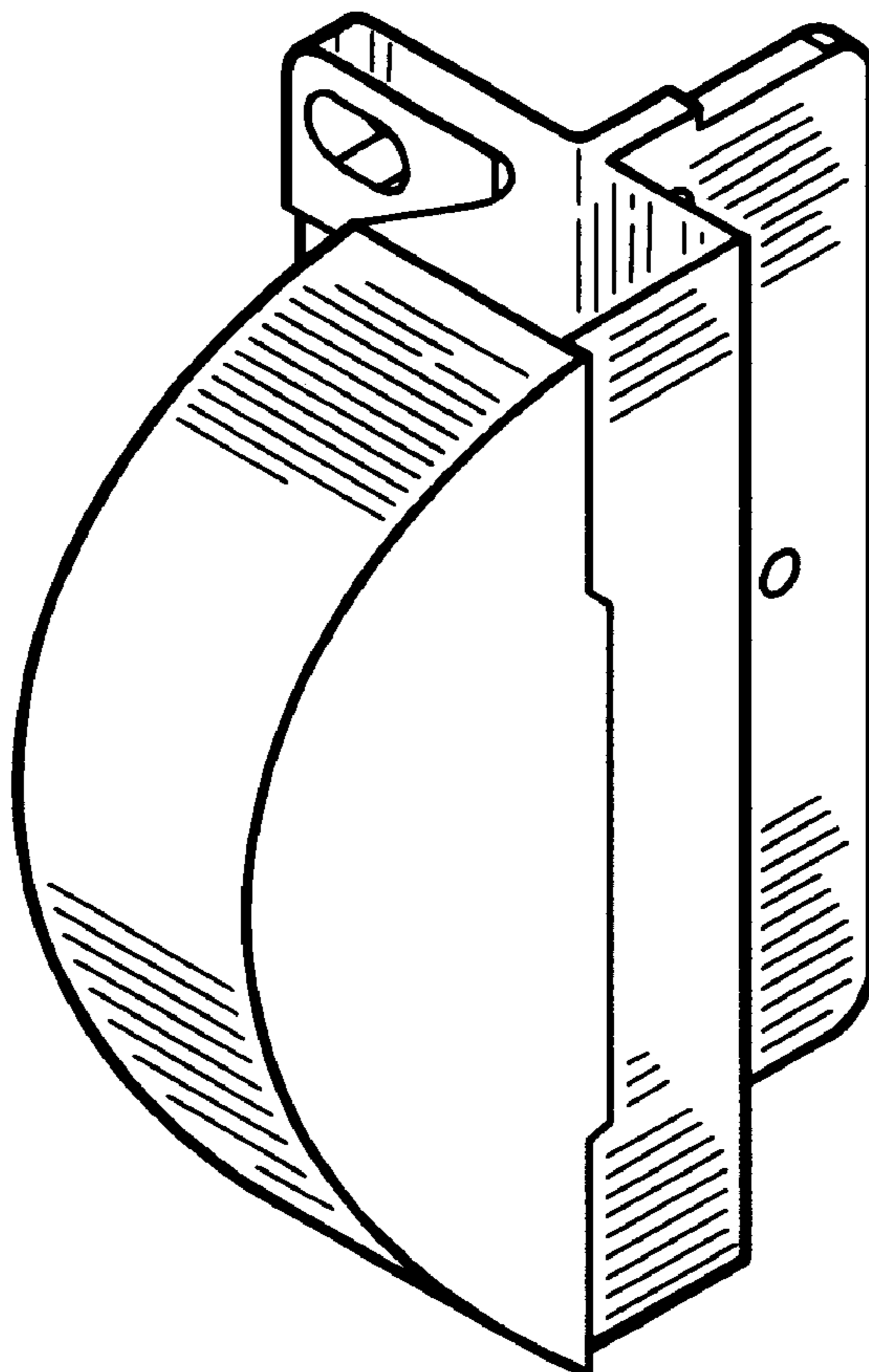
[57] **CLAIM**

The ornamental design for pair of handles for a power amplifier, as shown and described.

**DESCRIPTION**

FIG. 1 is a front perspective view of a handle of a pair of handles for a power amplifier showing my new design, shown separately for clarity of illustration;  
FIG. 2 is a front perspective view of the other handle of a pair of handles for a power amplifier, shown separately for clarity of illustration; the broken line showing of the portions of the face plate of the power amplifier is for illustrative purposes only and forms no part of the claimed design;  
FIG. 3 is a top plan view of FIG. 1, the bottom plan view being a mirror image thereof; the bottom view of FIG. 2 being identical;  
FIG. 4 is a left side elevational view of the handle unit in FIG. 1, the right side elevational view of the handle unit in FIG. 2 is a mirror image thereof;  
FIG. 5 is a front, elevational view of the handle unit in FIG. 1; and,  
FIG. 6 is a right side elevational view of the handle unit in FIG. 1; the left side elevational view of the handle unit in FIG. 2 is a mirror image thereof.  
The rear of the handle units forms no part of the claimed design.

**1 Claim, 2 Drawing Sheets**



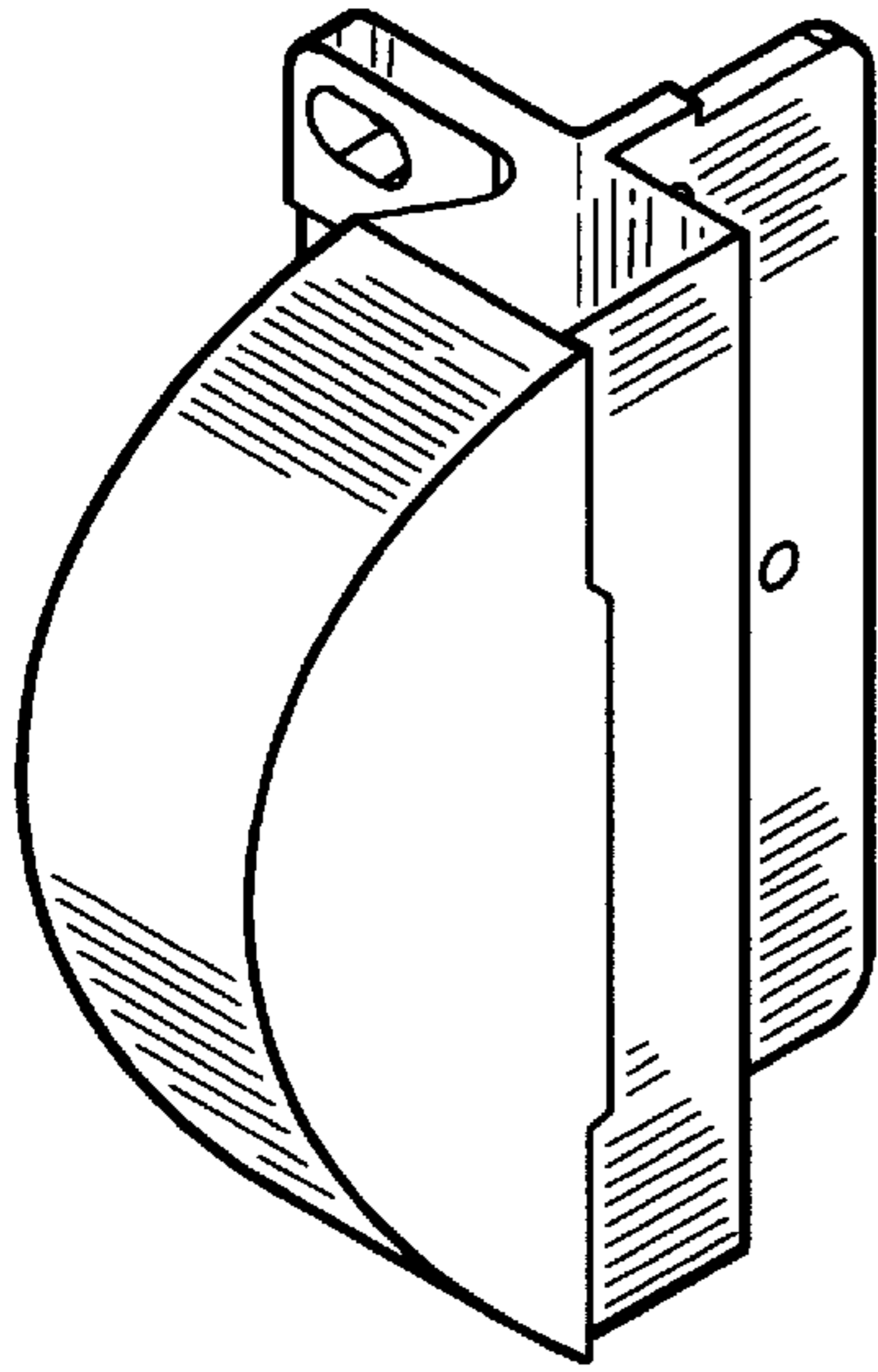


FIG. 1

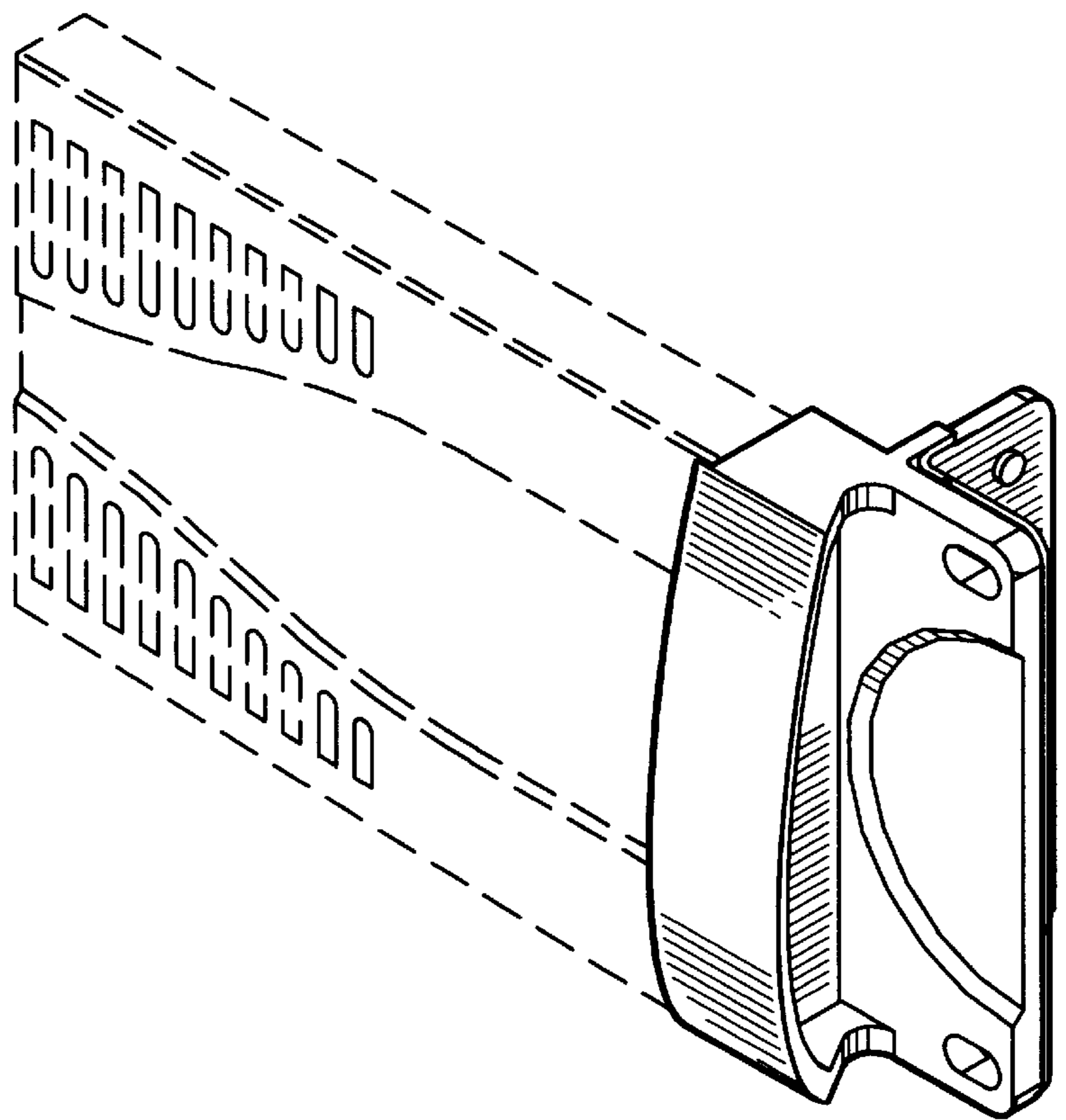


FIG. 2

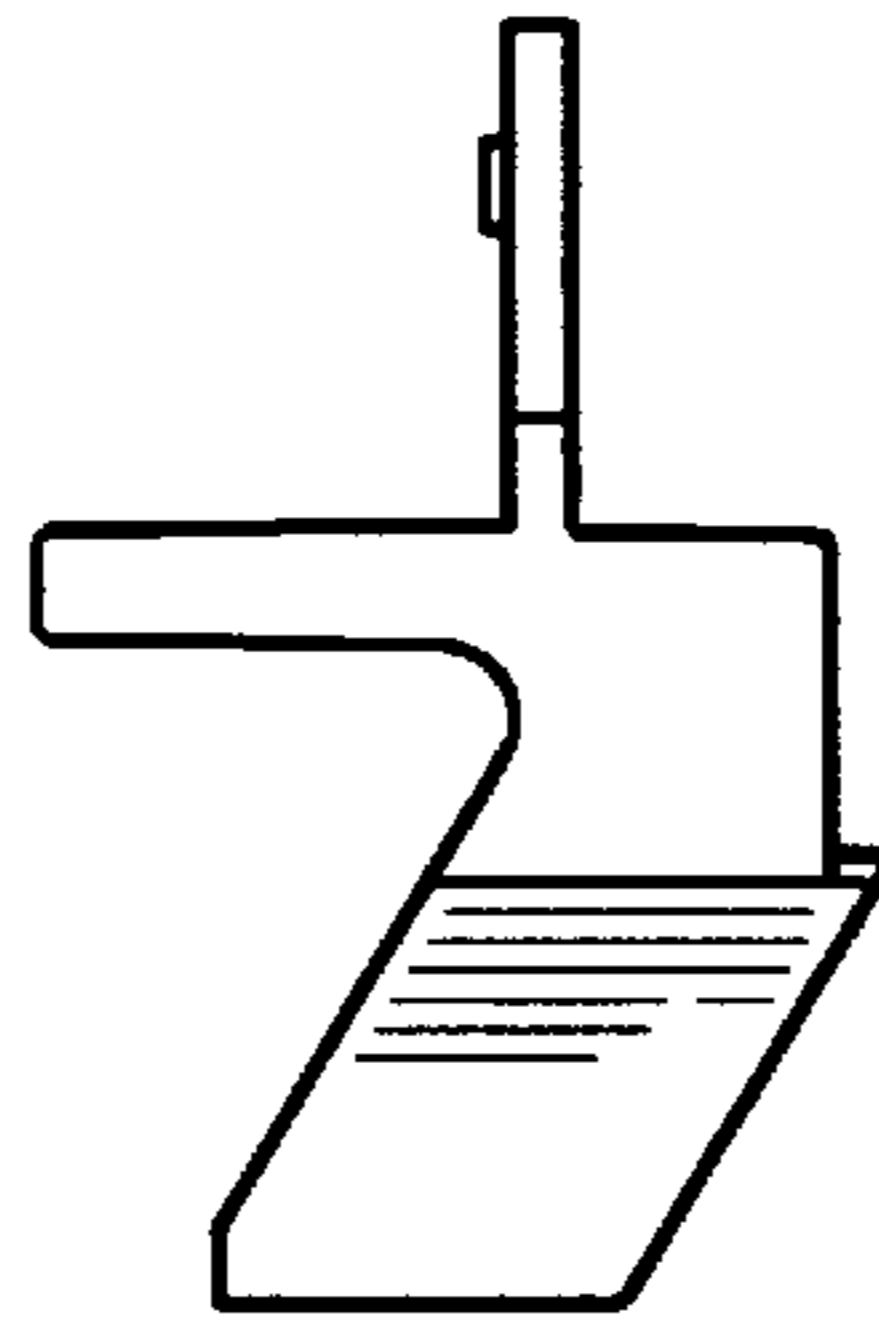


FIG. 3

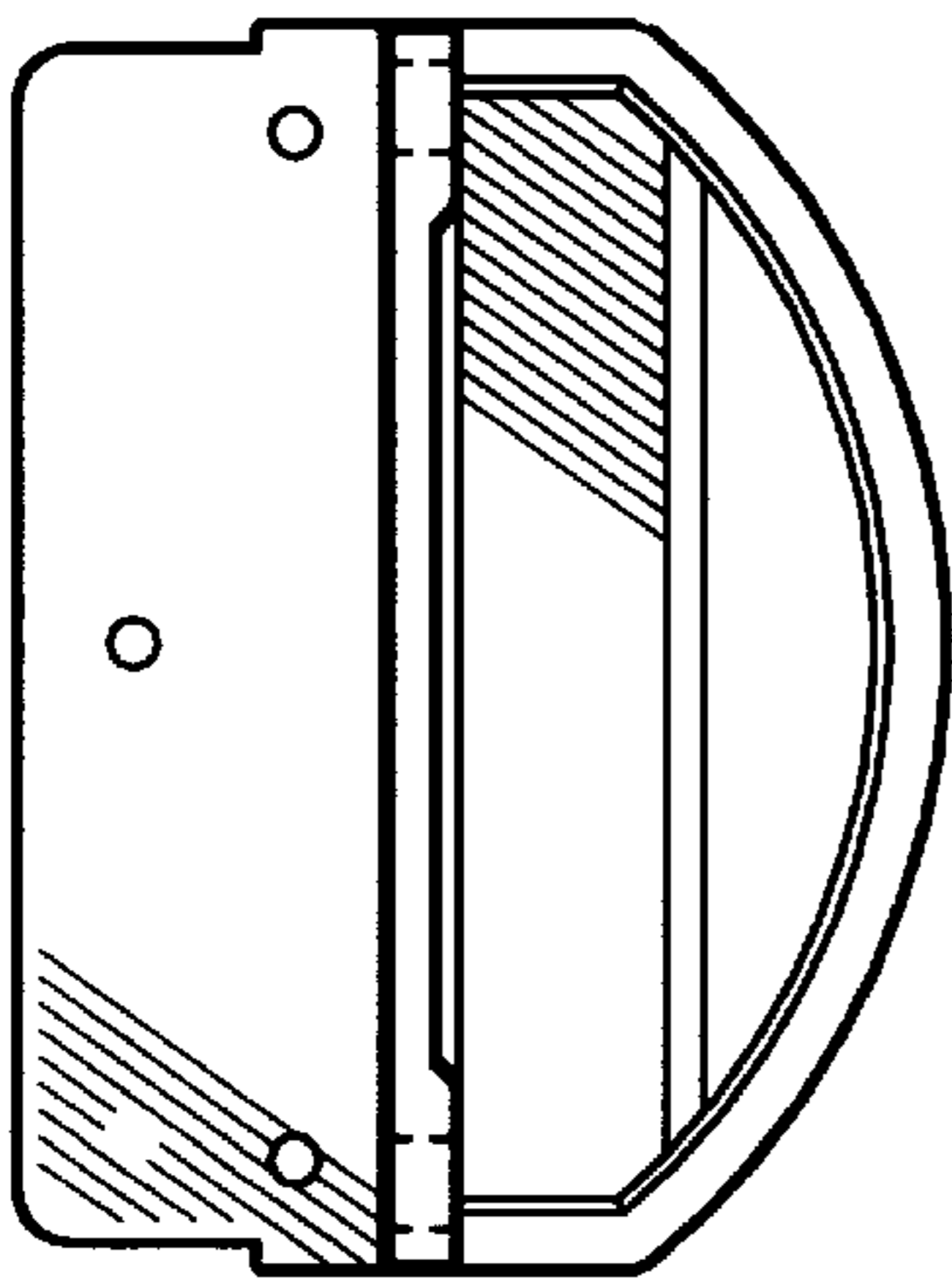


FIG. 4

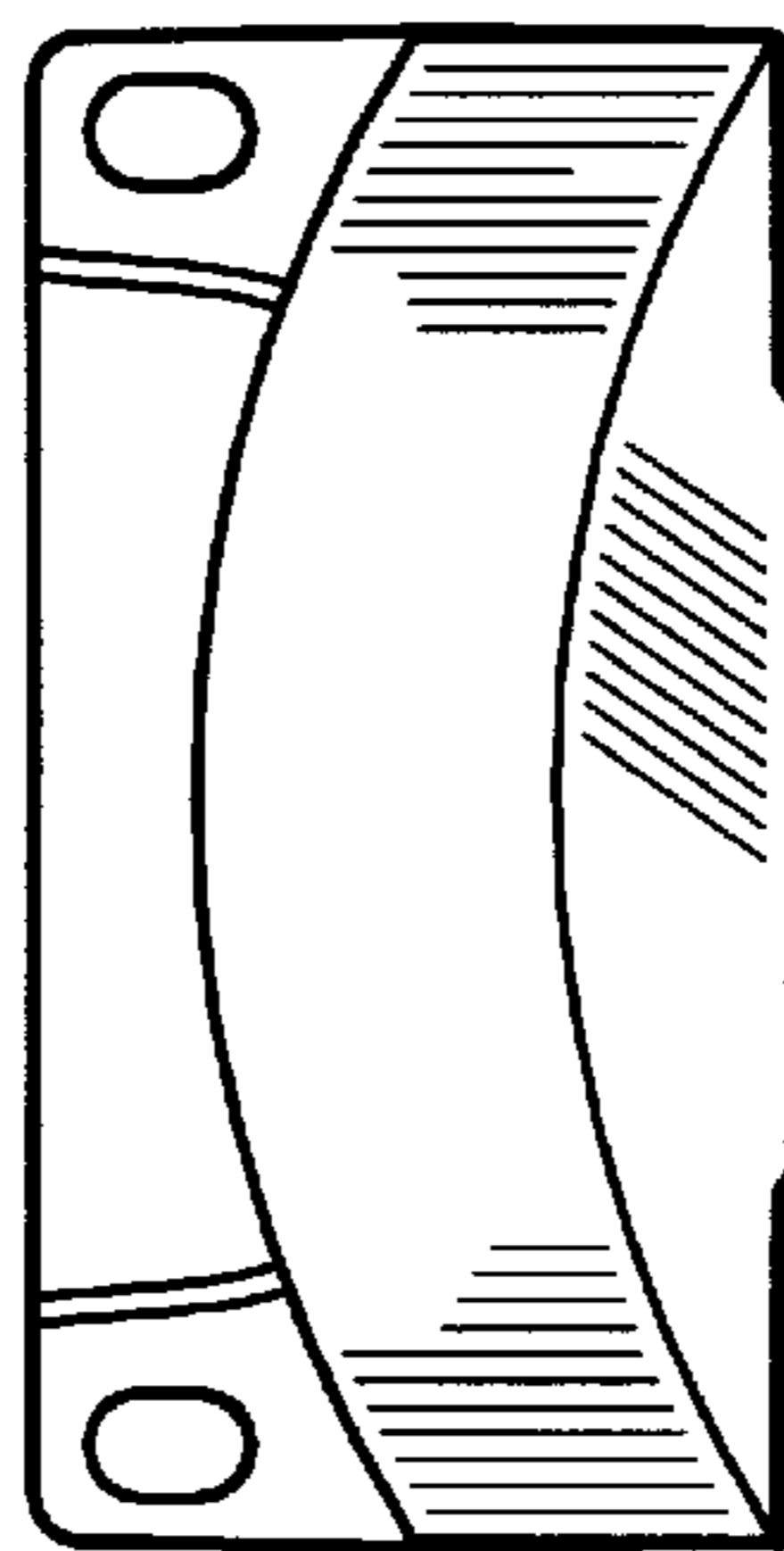


FIG. 5

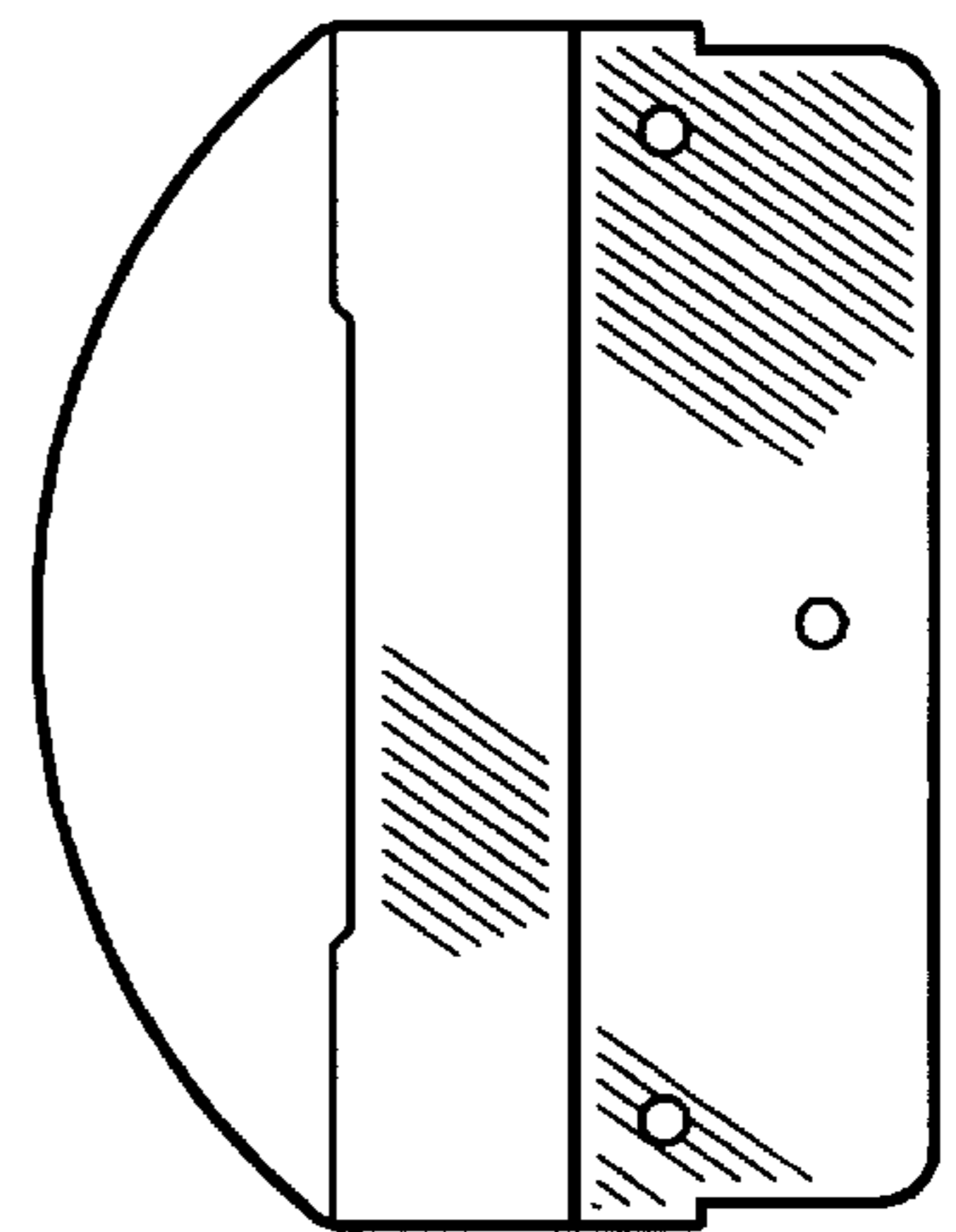


FIG. 6