



US00D424066S

United States Patent [19]

Wheatley et al.

[11] Patent Number: **Des. 424,066**

[45] Date of Patent: **** May 2, 2000**

[54] **CONTAINER FOR COMMUNICATIONS EQUIPMENT**

[75] Inventors: **David J Wheatley; Anthony C. Douglas; Ron E Corbett**, all of Saffron Walden, United Kingdom

[73] Assignee: **Nortel Networks Corporation**, Montreal, Canada

[**] Term: **14 Years**

[21] Appl. No.: **29/099,452**

[22] Filed: **Jan. 21, 1999**

Related U.S. Application Data

[62] Division of application No. 29/089,324, Jun. 12, 1998.

[30] Foreign Application Priority Data

Jan. 21, 1998 [GB] United Kingdom 2071859

[51] **LOC (7) Cl.** **14-03**

[52] **U.S. Cl.** **D14/240; D14/242**

[58] **Field of Search** **D3/272, 273; D14/214, D14/240, 242, 299; D13/184; 379/419, 420, 428**

[56] References Cited

U.S. PATENT DOCUMENTS

D. 330,888 11/1992 Worley D14/240

D. 337,770	7/1993	Johnson	D14/240
D. 338,469	8/1993	Alden et al.	D14/240
D. 346,606	5/1994	Harris et al.	D14/242
D. 363,722	10/1995	Aldridge et al.	D14/240
D. 380,199	6/1997	Beruscha et al.	D14/242
D. 380,475	7/1997	Ramussen	D14/240
D. 392,644	3/1998	McGugan	D14/240
D. 393,644	4/1998	Cho et al.	D14/240

Primary Examiner—Philip S. Hyder
Attorney, Agent, or Firm—Lee, Mann, Smith, McWilliams, Sweeney & Ohlson

[57] CLAIM

The ornamental design for a container for communications equipment, as shown and described.

DESCRIPTION

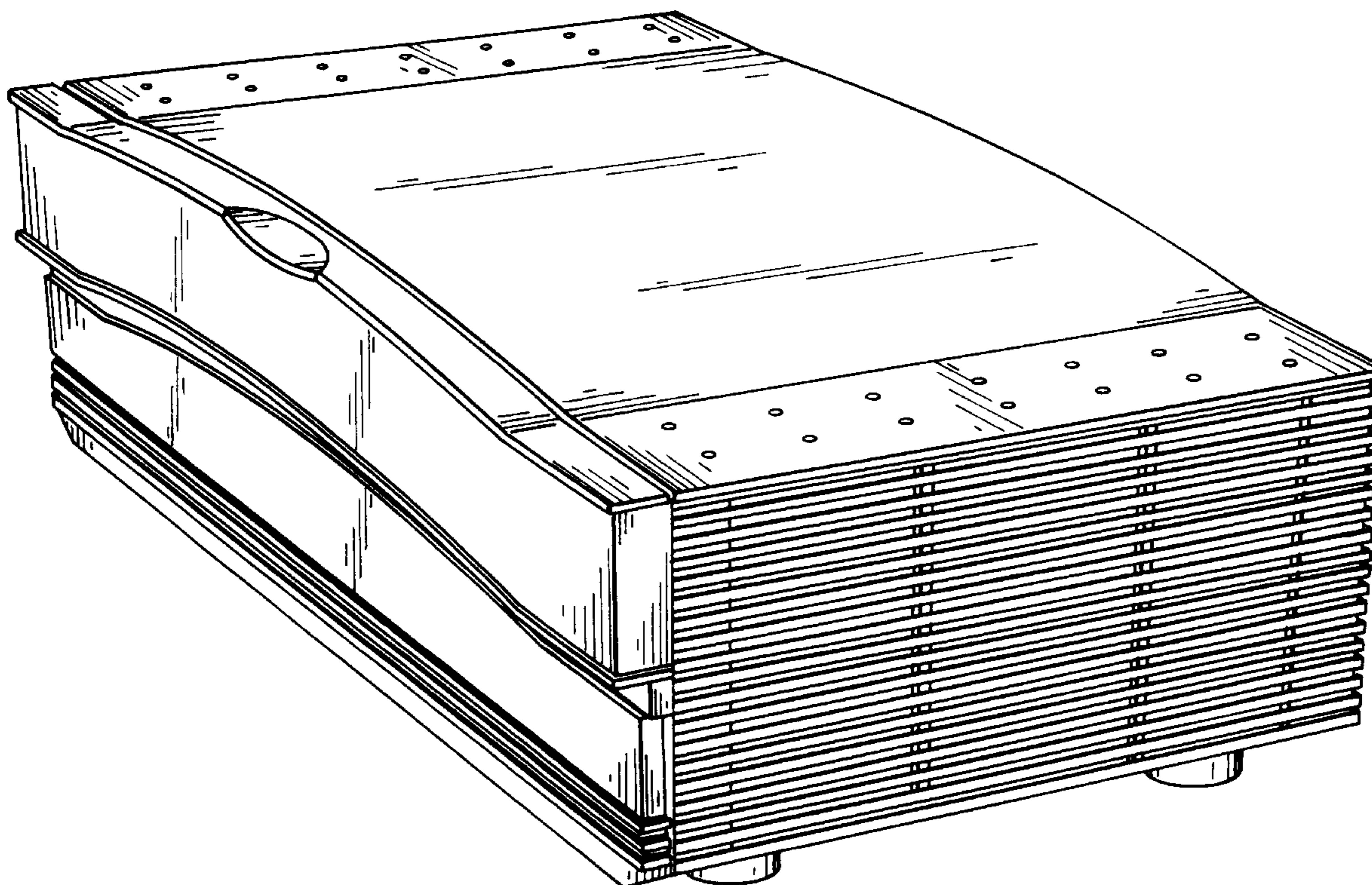
FIG. 1 is a front isometric view of the container for communications equipment;

FIG. 2 is a right side view thereof, the left side view being a mirror image;

FIG. 3 is an isometric view thereof; and,

FIG. 4 is a plan view thereof.

1 Claim, 4 Drawing Sheets



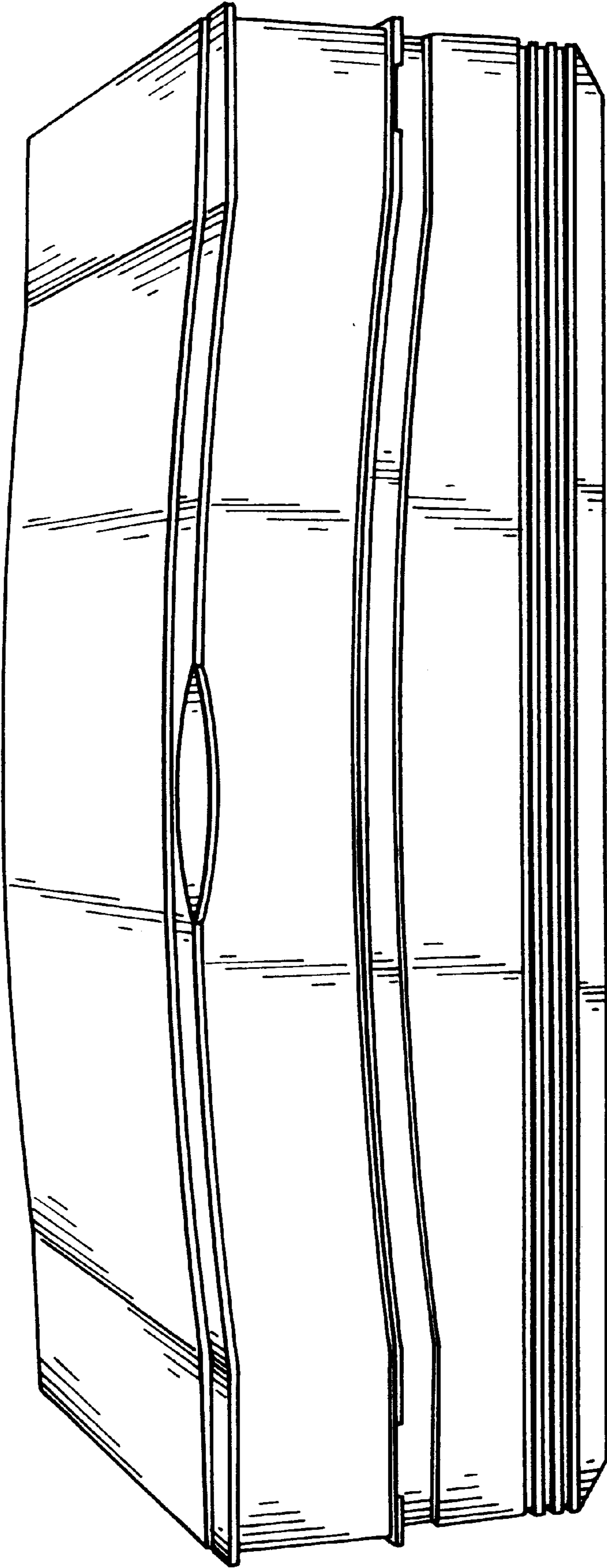


Fig. 1

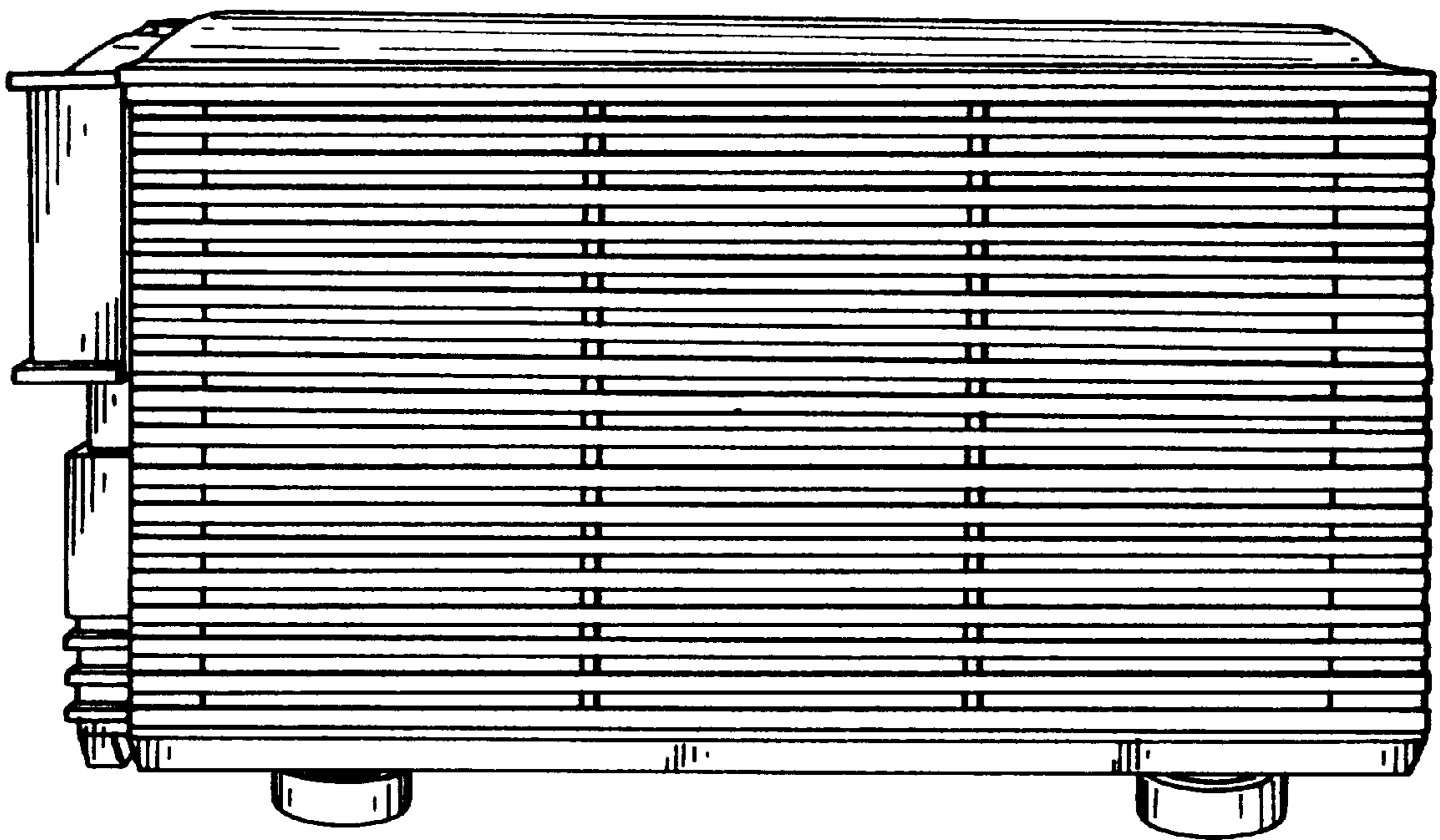


Fig. 2

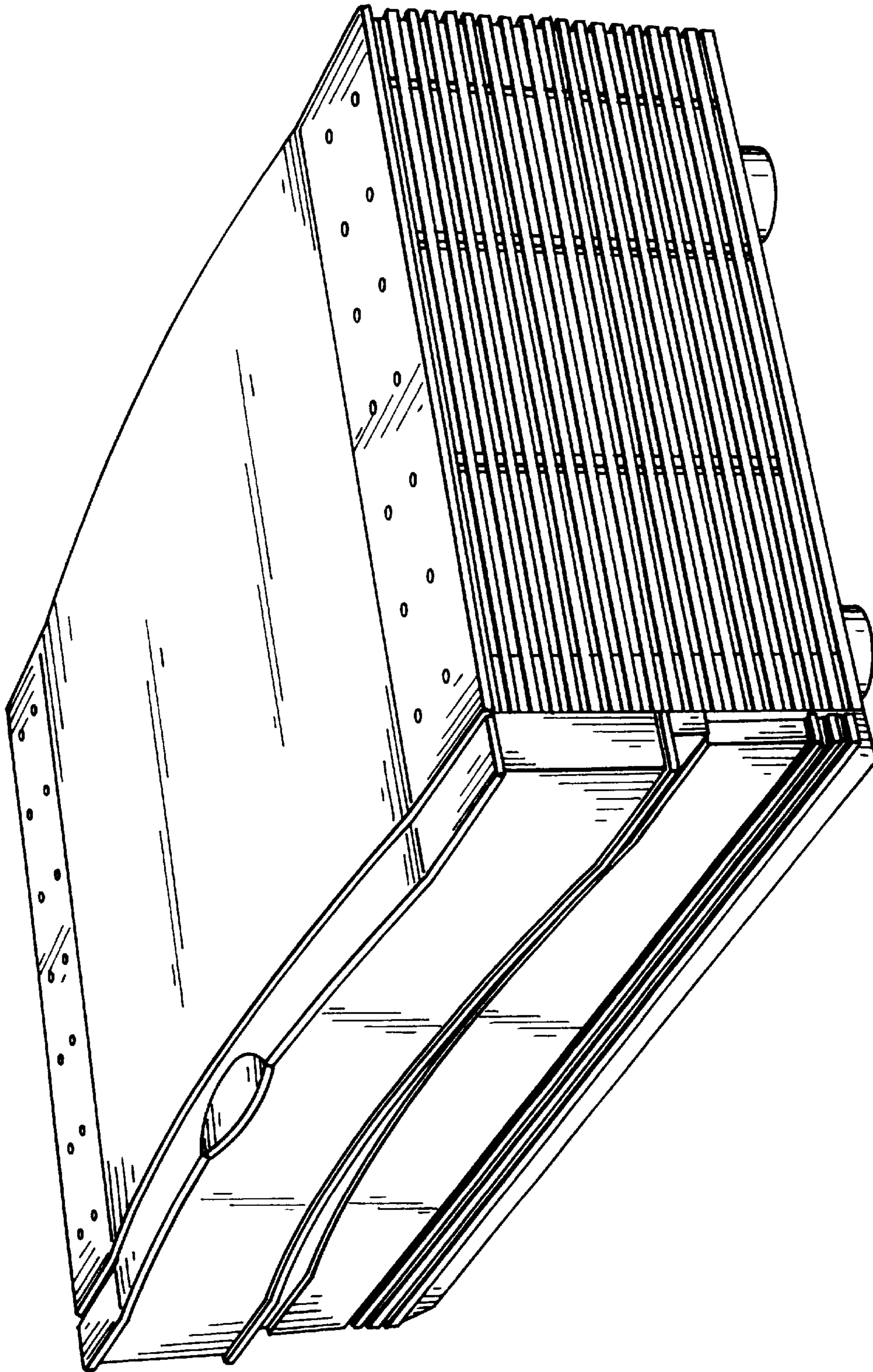


Fig. 3

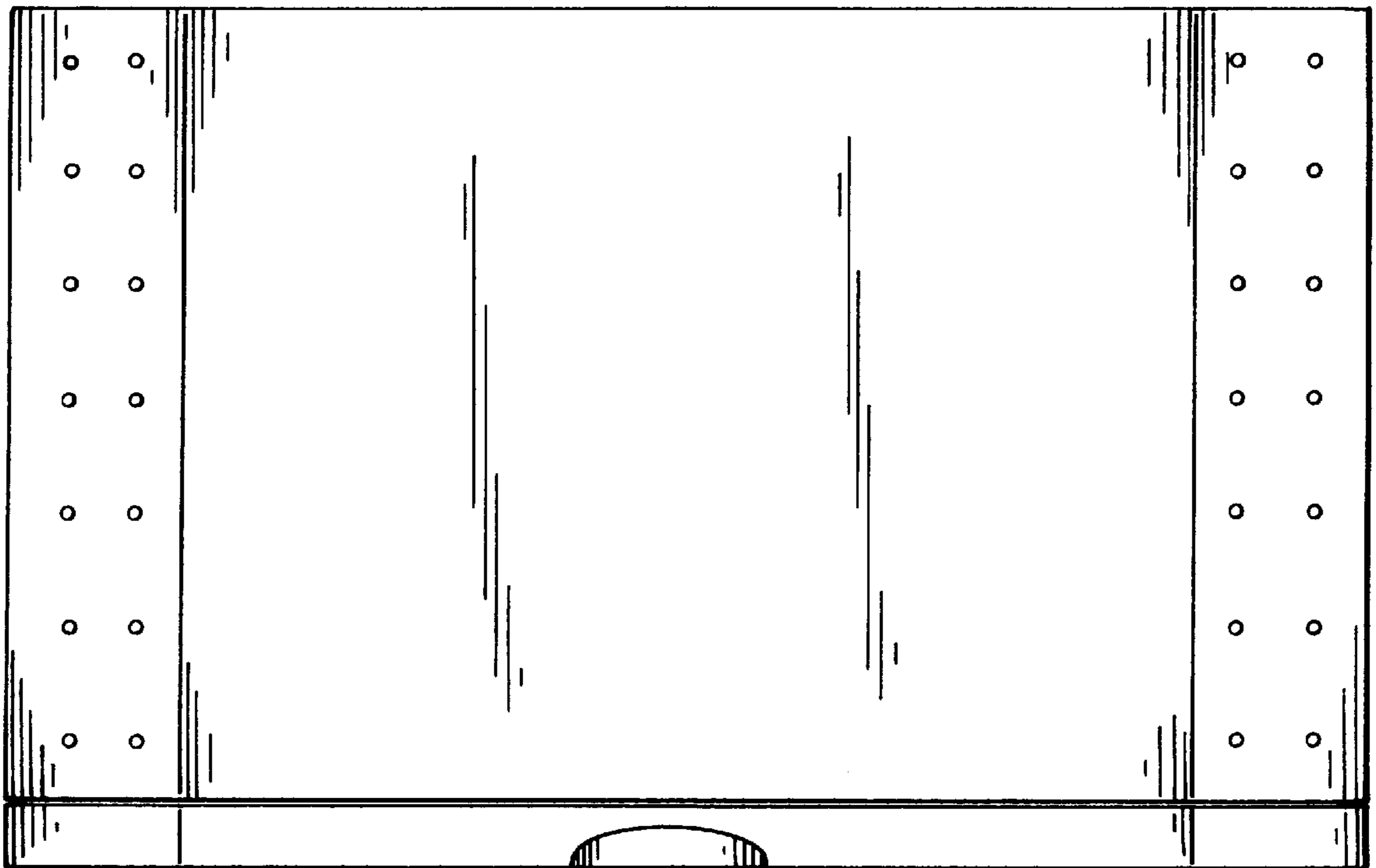


Fig. 4