



US00D424065S

United States Patent [19]

[11] Patent Number: **Des. 424,065**

Soo

[45] Date of Patent: **** May 2, 2000**

[54] **PC TELEPHONE AMPLIFIER SWITCH BOX**

[75] Inventor: **Brian C. Soo**, Kowloon, The Hong Kong Special Administrative Region of the People's Republic of China

[73] Assignee: **Wing Cheong Electrical Company**, Kowloon, The Hong Kong Special Administrative Region of the People's Republic of China

[**] Term: **14 Years**

[21] Appl. No.: **29/095,353**

[22] Filed: **Oct. 21, 1998**

[51] **LOC (7) Cl.** **14-03**

[52] **U.S. Cl.** **D14/240; D13/162; D14/107; D14/243**

[58] **Field of Search** D14/140, 142, D14/149, 240, 242, 243, 107, 100, 256, 191; 379/419, 420, 428, 440, 441, 442; D13/133, 147, 146, 162, 164, 184; 439/620, 638, 676; 395/200.3; 200/51.04

[56] **References Cited**

U.S. PATENT DOCUMENTS

D. 295,752	5/1988	MacKenzie et al.	D14/107
D. 338,193	8/1993	Sasaki	D14/107
D. 358,395	5/1995	Heidorn et al.	D14/242
D. 362,240	9/1995	Heidorn et al.	D14/107
D. 363,269	10/1995	Riley et al.	D13/133
D. 373,567	9/1996	Rak et al.	D13/133

D. 374,430	10/1996	Loh	D13/162
D. 376,368	12/1996	Larson	D14/240
D. 387,732	12/1997	England et al.	D13/147
D. 393,644	4/1998	Cho et al.	D14/240
D. 393,859	4/1998	Nguyen et al.	D14/191
D. 394,864	6/1998	Brandt	D14/256
D. 396,471	7/1998	Kolinen	D14/240
D. 396,850	8/1998	Ito	D14/107
D. 413,893	9/1999	Luzbetak et al.	D14/240
D. 415,743	10/1999	Inukai	D14/107

Primary Examiner—Jeffrey Asch
Attorney, Agent, or Firm—Alix, Yale & Ristas, LLP

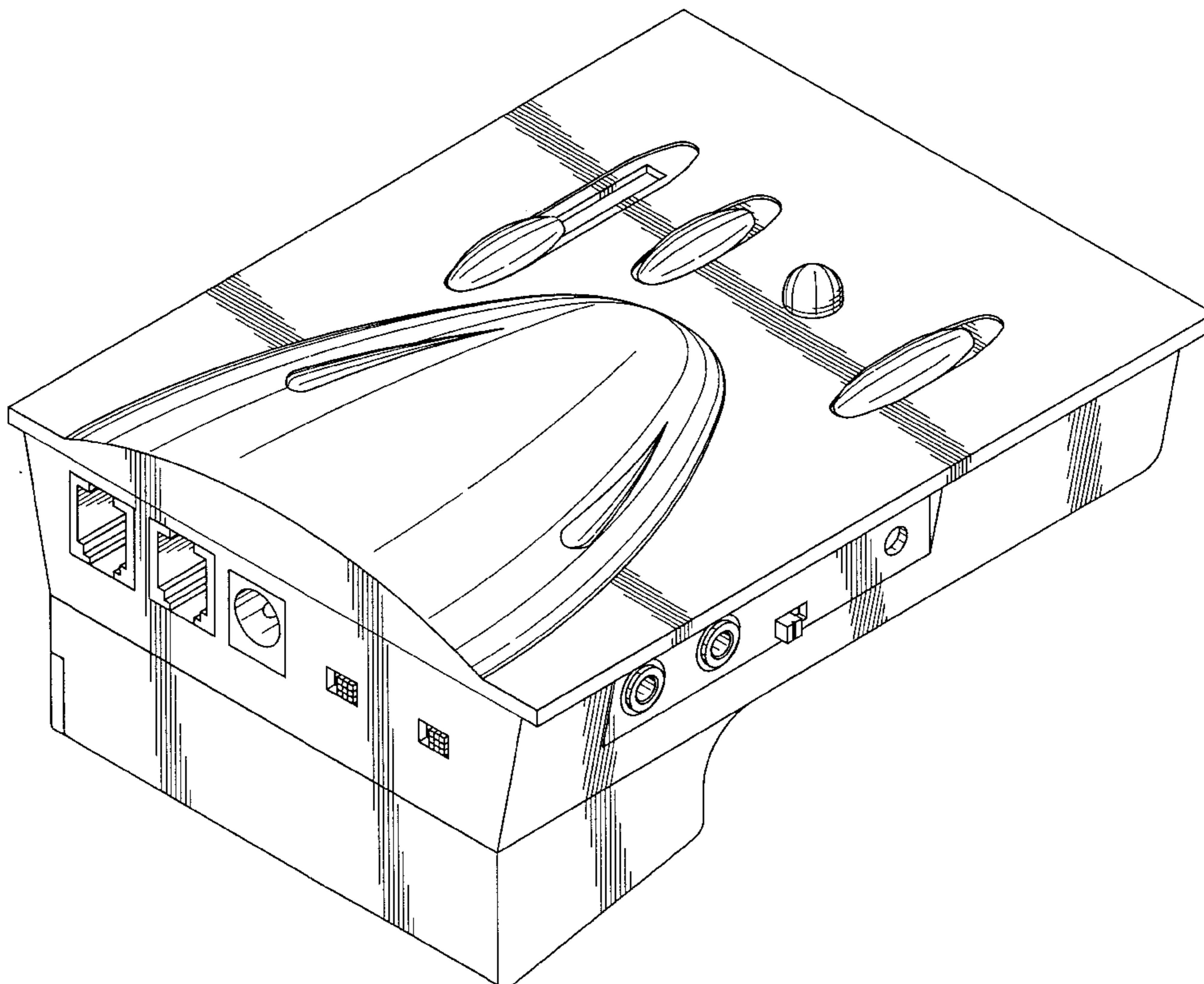
[57] **CLAIM**

The ornamental design for a PC telephone amplifier switch box, as shown.

DESCRIPTION

FIG. 1 is a frontal perspective view of the PC telephone amplifier switch box;
 FIG. 2 is a top plan view of the PC telephone amplifier switch box of FIG. 1;
 FIG. 3 is a bottom plan view of the PC telephone amplifier switch box of FIG. 1;
 FIG. 4 is a left side view of the PC telephone amplifier switch box of FIG. 1;
 FIG. 5 is a right side view of the PC telephone amplifier switch box of FIG. 1;
 FIG. 6 is a front view of the PC telephone amplifier switch box of FIG. 1; and,
 FIG. 7 is a rear view of the PC telephone amplifier switch box of FIG. 1.

1 Claim, 4 Drawing Sheets



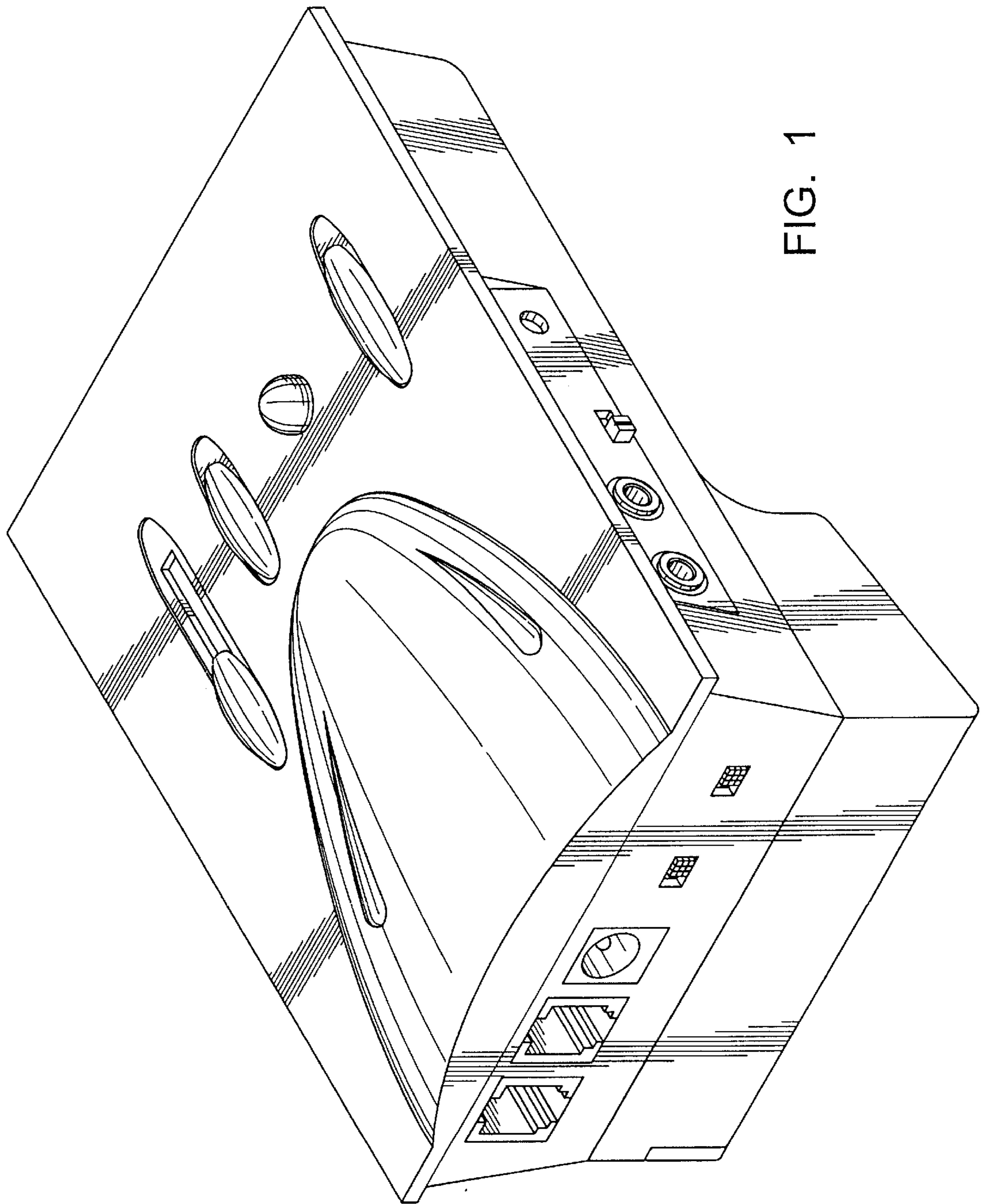


FIG. 1

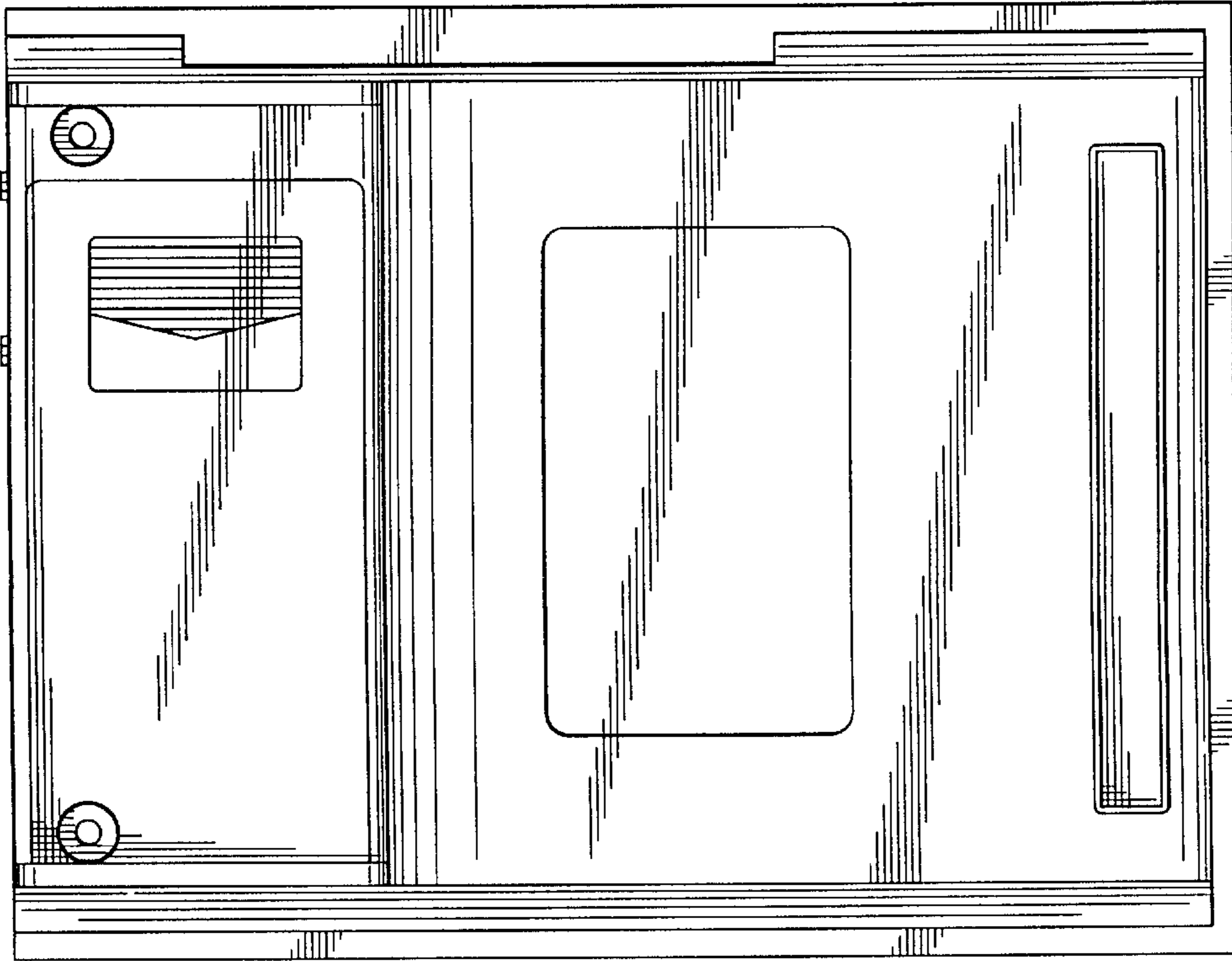


FIG. 3

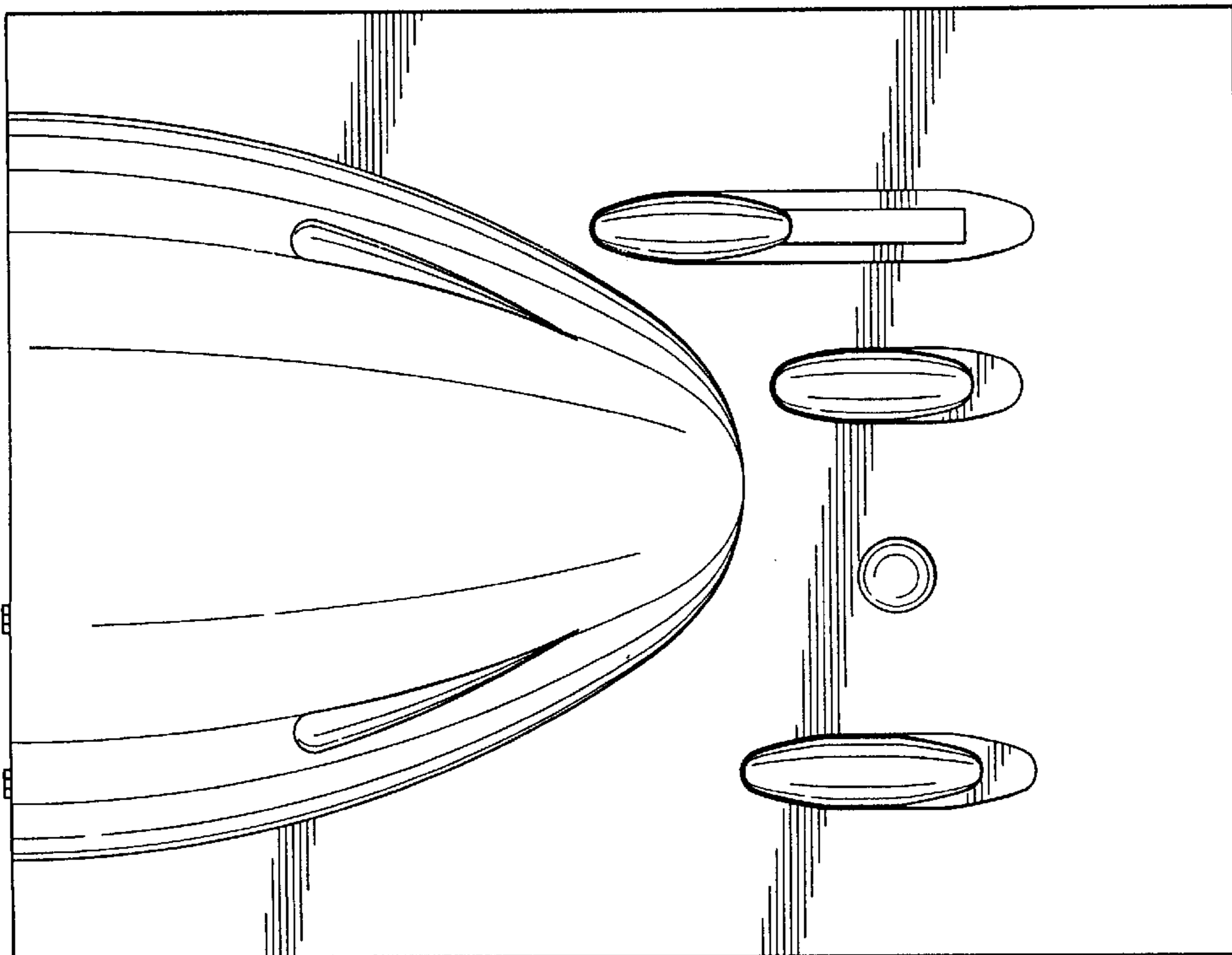


FIG. 2

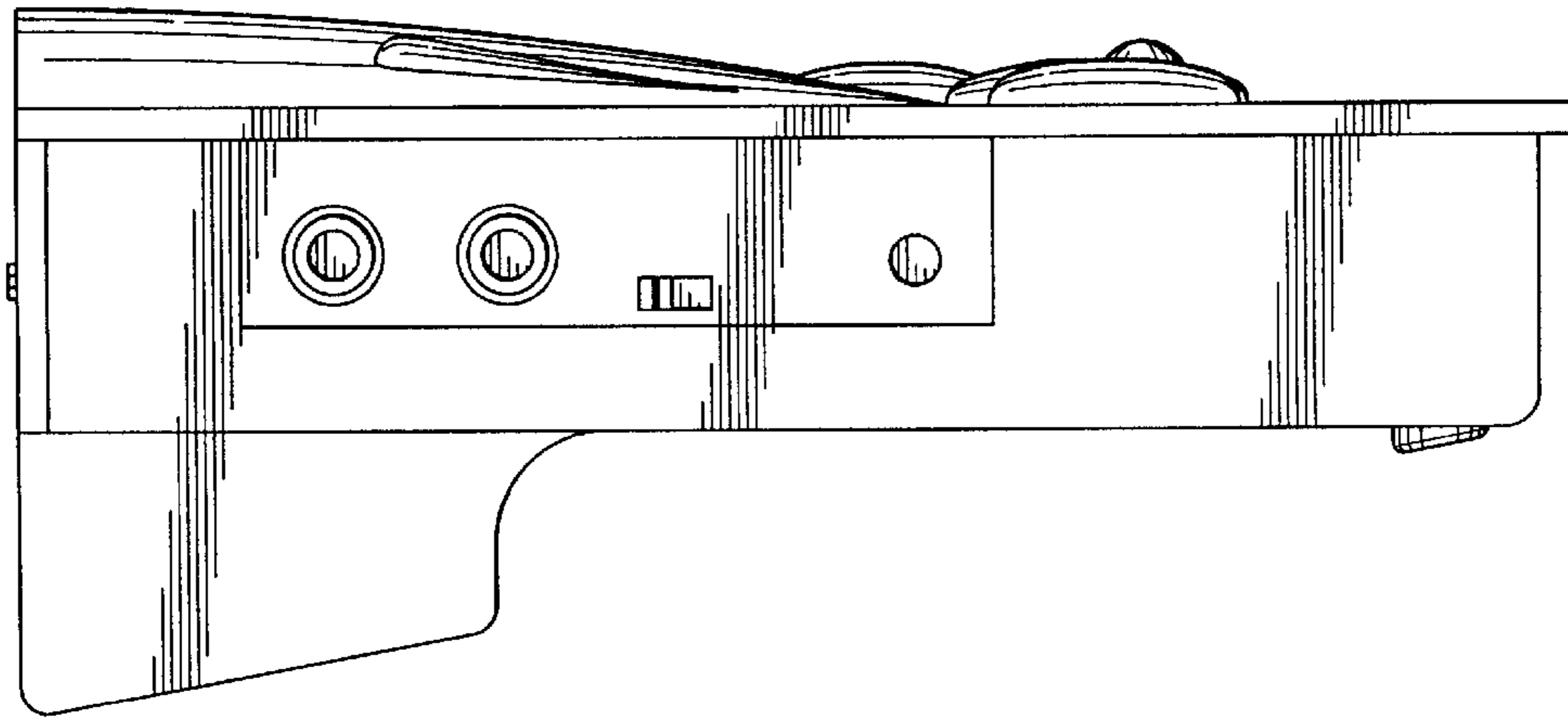


FIG. 5

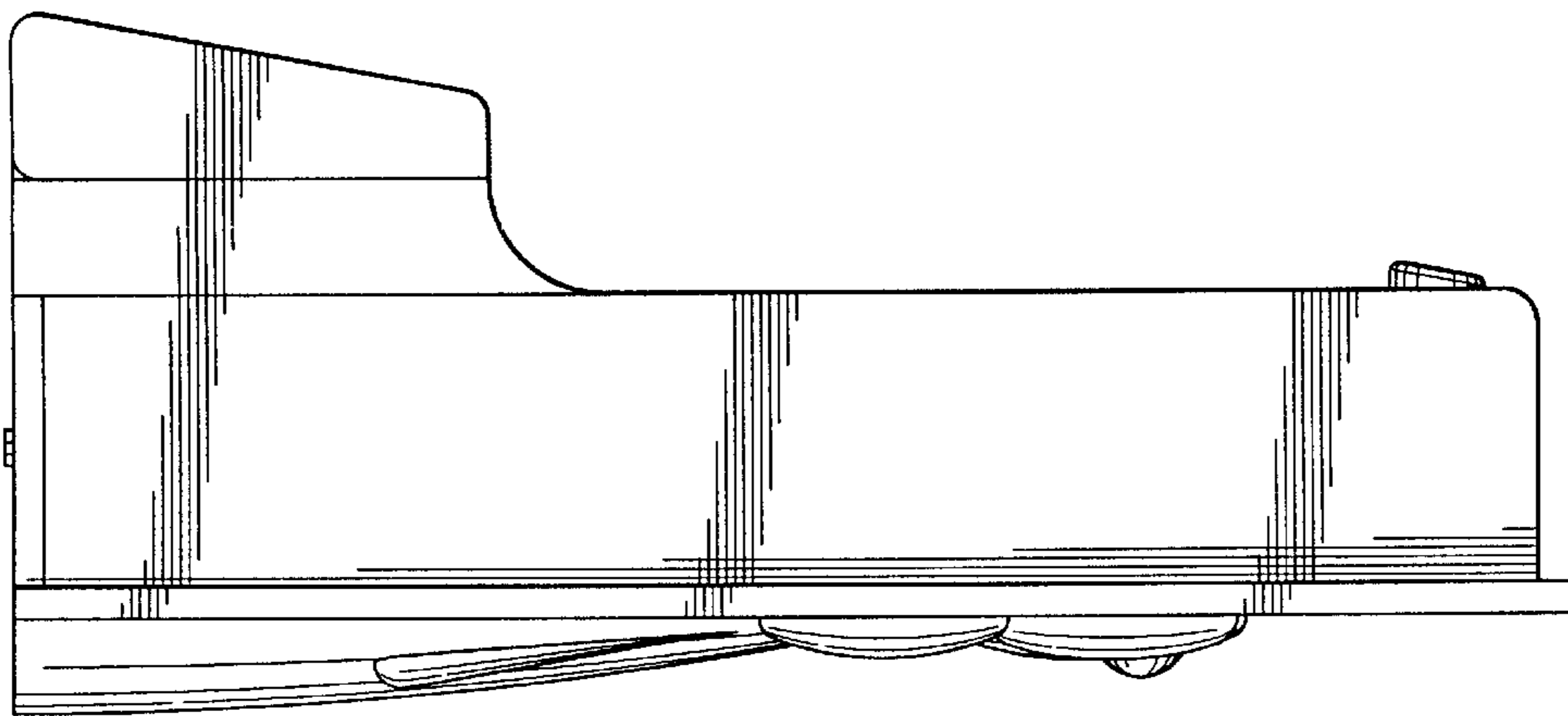


FIG. 4

FIG. 6

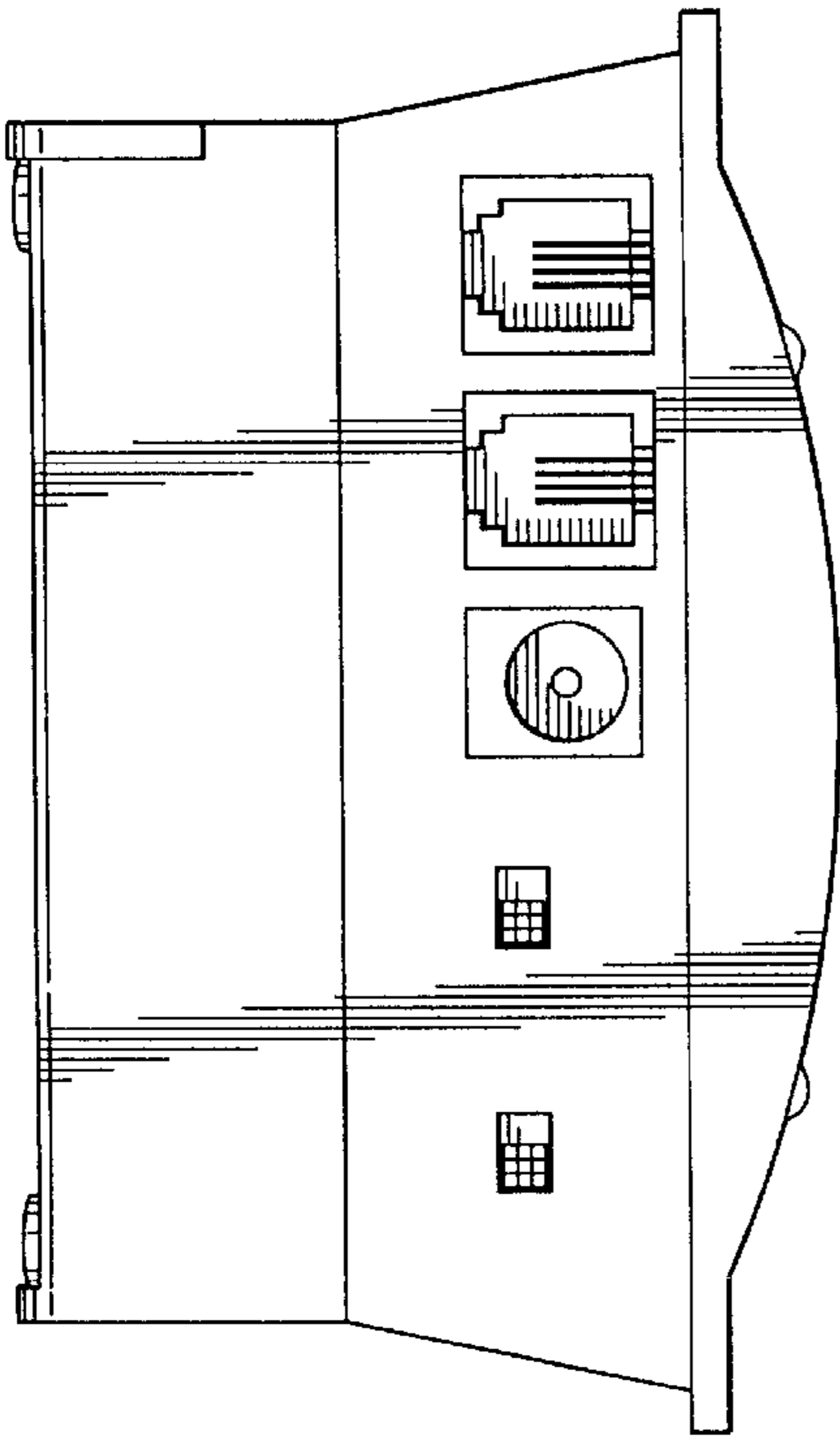


FIG. 7

