



US00D424064S

United States Patent [19] Suh

[11] Patent Number: **Des. 424,064**

[45] Date of Patent: **** May 2, 2000**

[54] **ANTENNA ORNAMENT**

[76] Inventor: **Young Suh**, 10371 Garden Grove Blvd., Garden Grove, Calif. 92843

[**] Term: **14 Years**

[21] Appl. No.: **29/111,833**

[22] Filed: **Oct. 5, 1999**

[51] **LOC (7) Cl.** **14-03**

[52] **U.S. Cl.** **D14/232**

[58] **Field of Search** D14/230-238;
D12/197-201, 162; 478/542.2, 542.4; D11/157;
D21/712, 788, 406; 473/596-599, 603;
343/711-714, 720; D19/82; D7/515

[56] **References Cited**

U.S. PATENT DOCUMENTS

D. 151,599	11/1948	Colm	D21/406
D. 340,078	10/1993	Turner	D19/82
D. 370,154	5/1996	Gruneisen, III	D7/515
D. 383,137	9/1997	Gamble, Jr. et al.	D14/230
D. 387,772	12/1997	Steinberg	D14/230
D. 390,567	2/1998	Gamble, Jr. et al.	
D. 399,802	10/1998	Adelaar	D12/162
D. 401,293	11/1998	Alarid, Jr.	D21/712
1,621,899	3/1927	Pierce	473/599
1,723,855	8/1929	Henry	473/603
2,044,836	6/1936	Crowley et al.	473/603

2,700,545	1/1955	Axton	473/599
3,708,170	1/1973	Presnell	473/597
4,241,918	12/1980	Massino	473/597
4,337,944	7/1982	Massino	473/597
4,972,795	11/1990	Mace	116/28
5,176,099	1/1993	Katz et al.	116/209

Primary Examiner—Louis S. Zarfes
Assistant Examiner—Greg Andoll
Attorney, Agent, or Firm—Goldstein & Canino

[57] **CLAIM**

The ornamental design for an antenna ornament, as shown and described.

DESCRIPTION

FIG. 1 is a diagrammatic front elevational view of an antenna ornament showing my new design in full lines with a car shown in broken lines representing environmental matter being for illustrative purposes only and forming no part of the claimed invention.

FIG. 2 is a front elevational view of the antenna ornament of FIG. 1, on an enlarged scale.

FIG. 3 is a rear elevational view thereof.

FIG. 4 is a top plan view thereof.

FIG. 5 is a bottom plan view thereof; and,

FIG. 6 is a left side elevational view of the antenna ornament, the right side elevational view being a mirror image of the left side view.

1 Claim, 2 Drawing Sheets

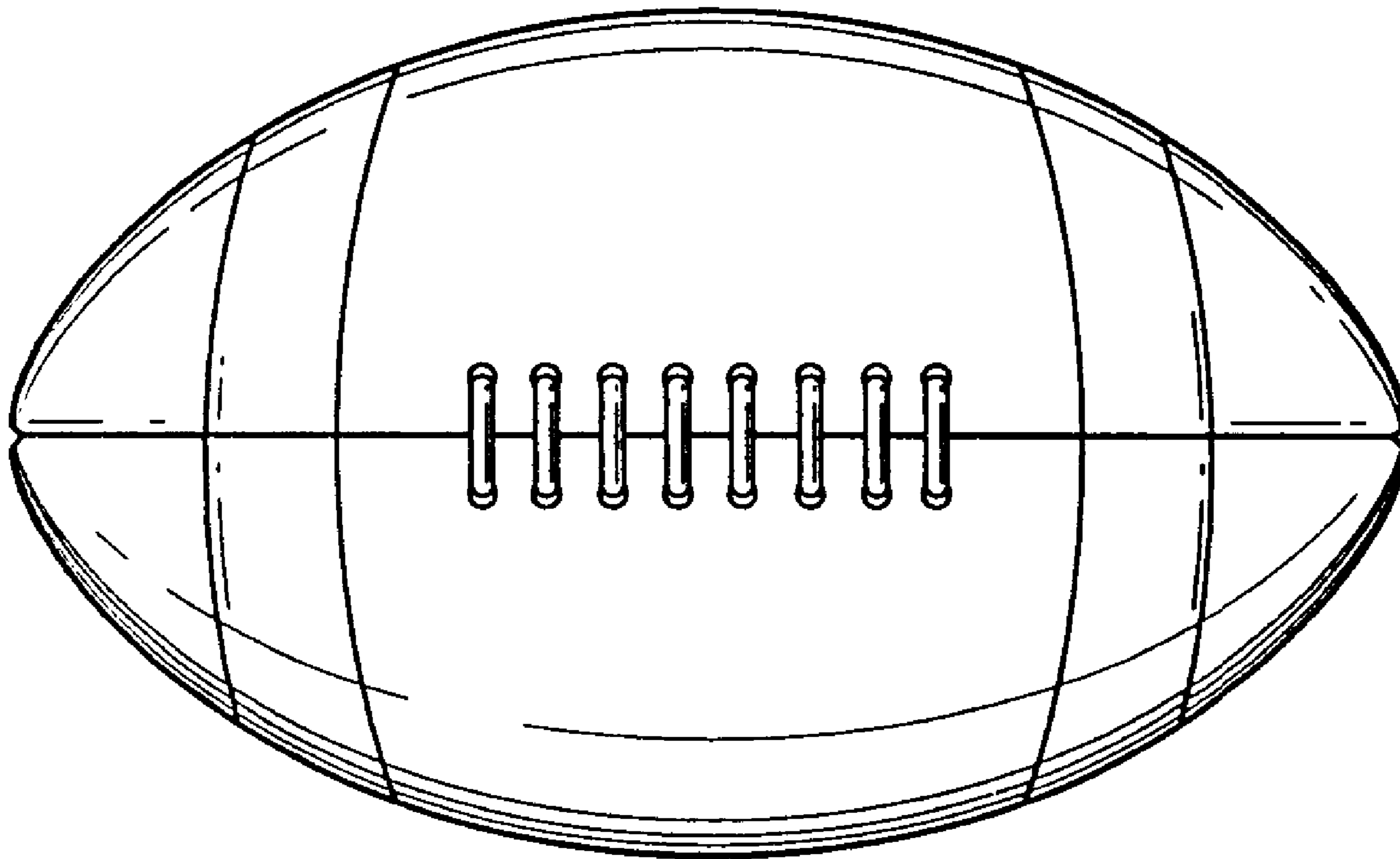


FIG. 1

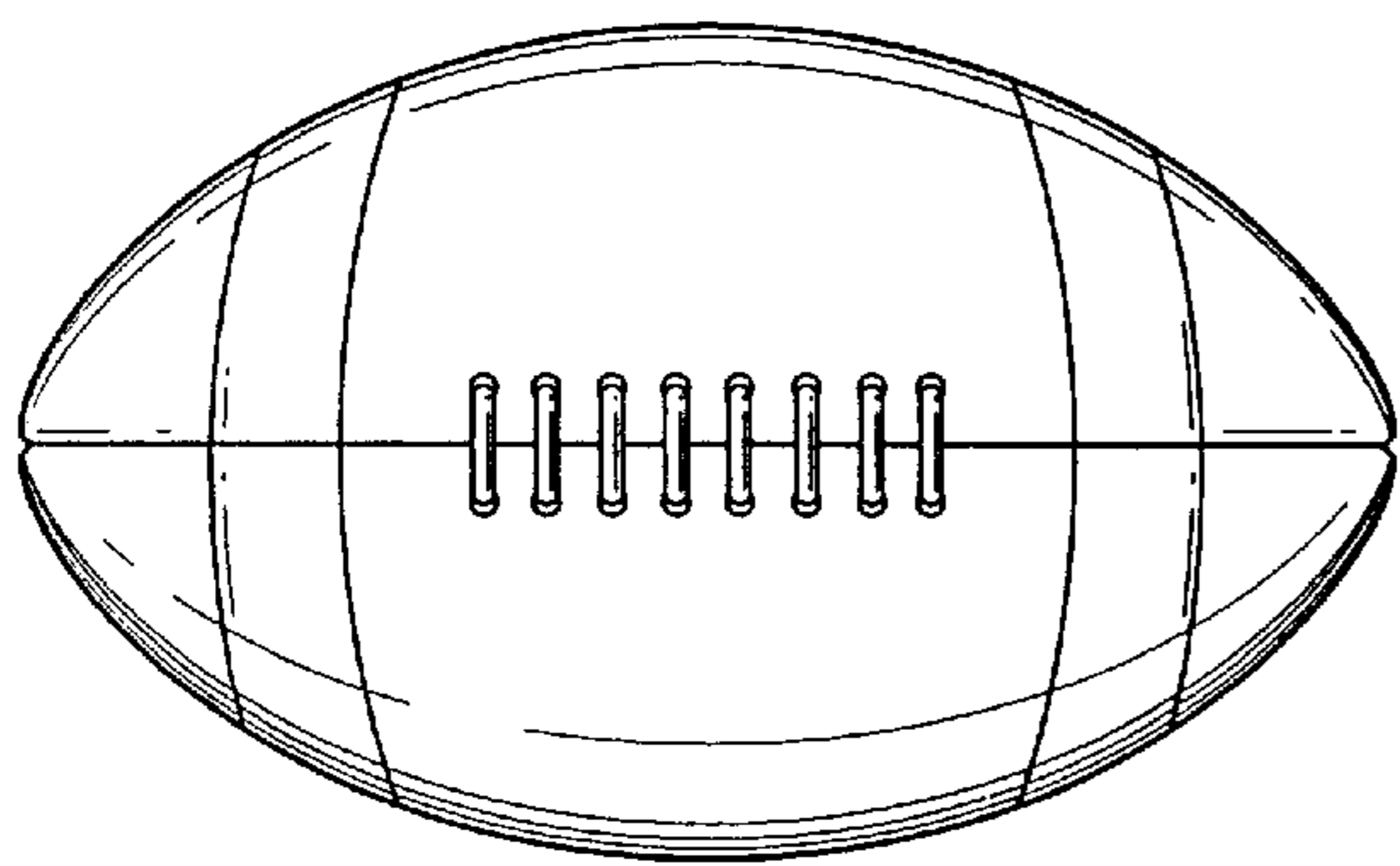
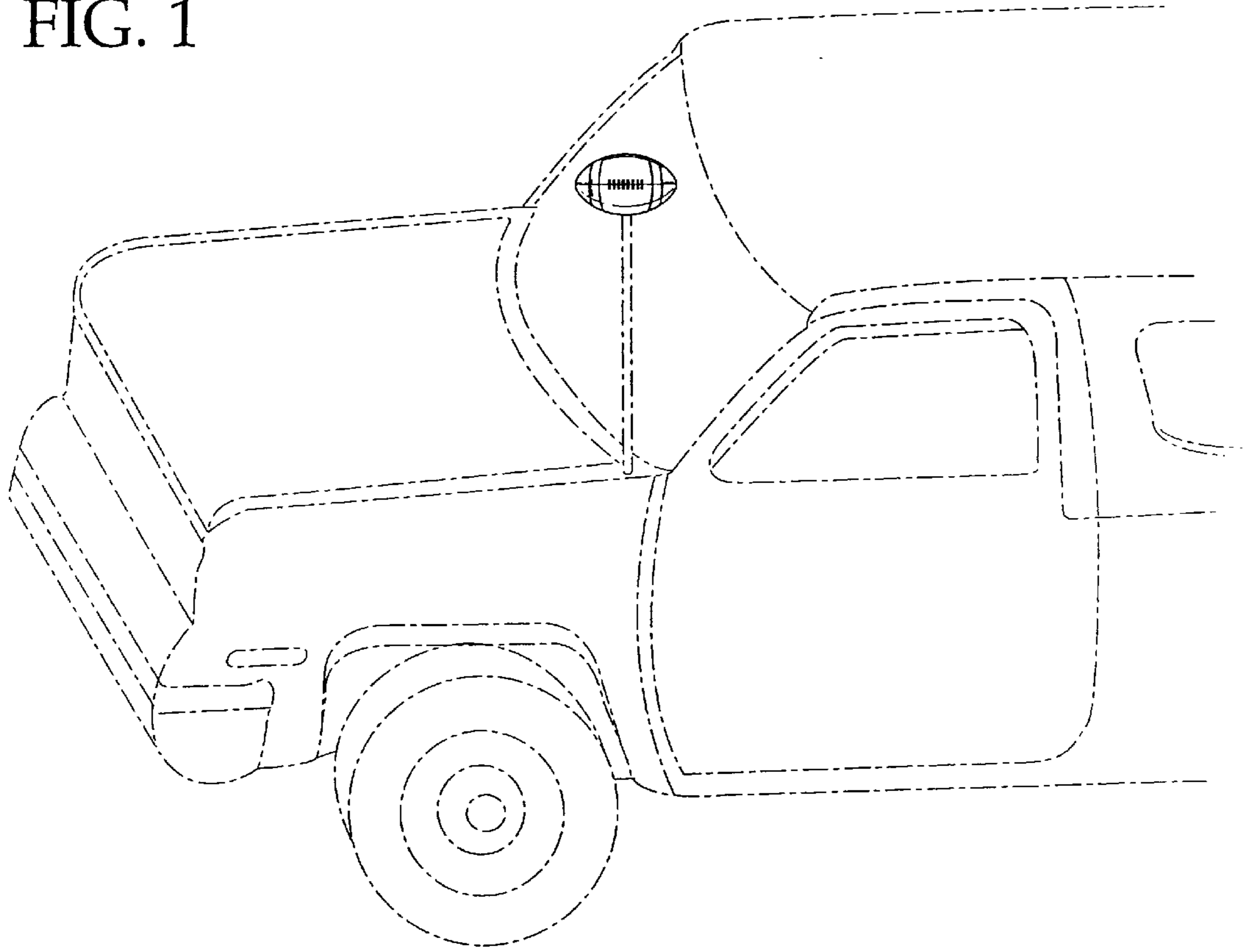


FIG. 2

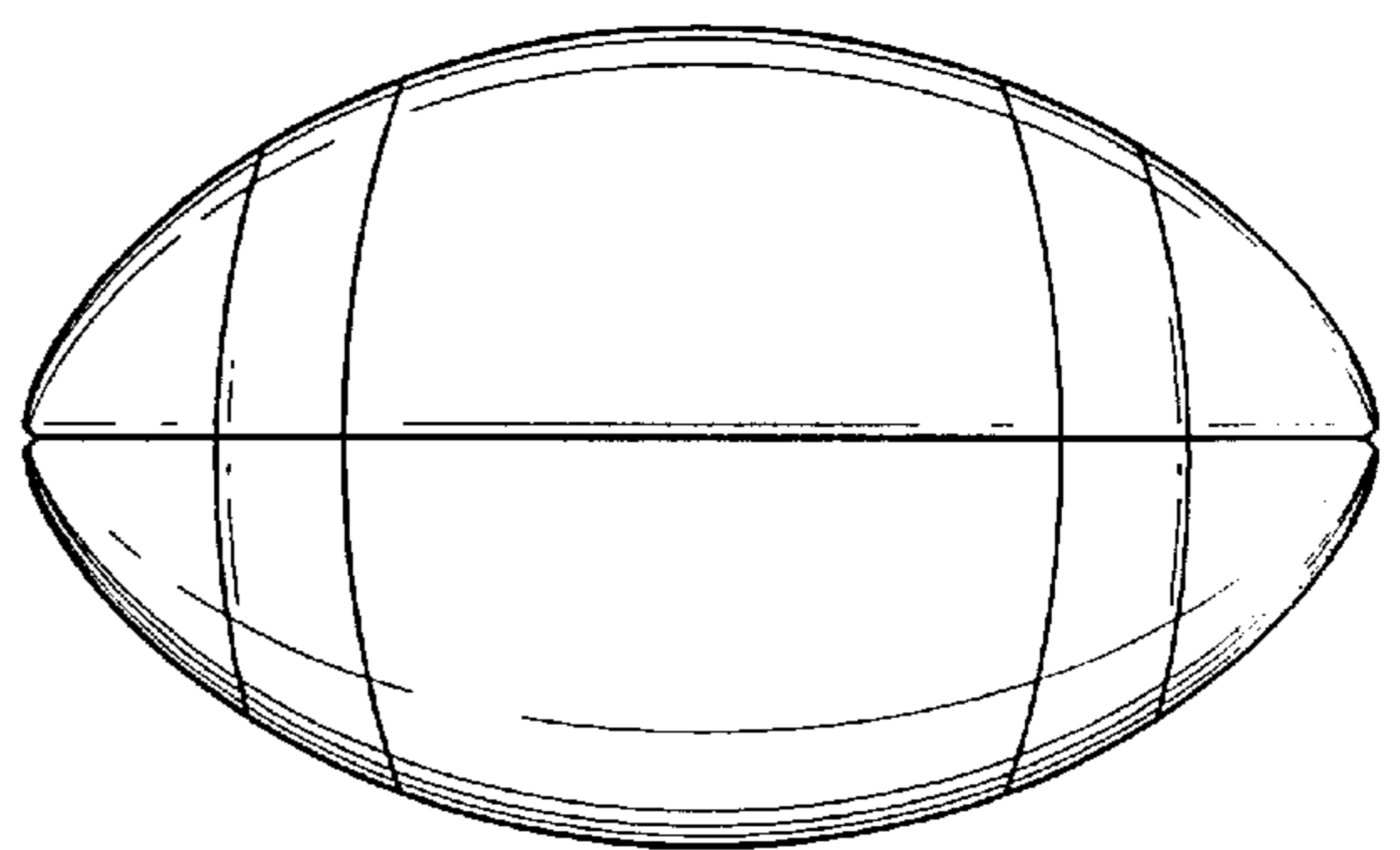


FIG. 3

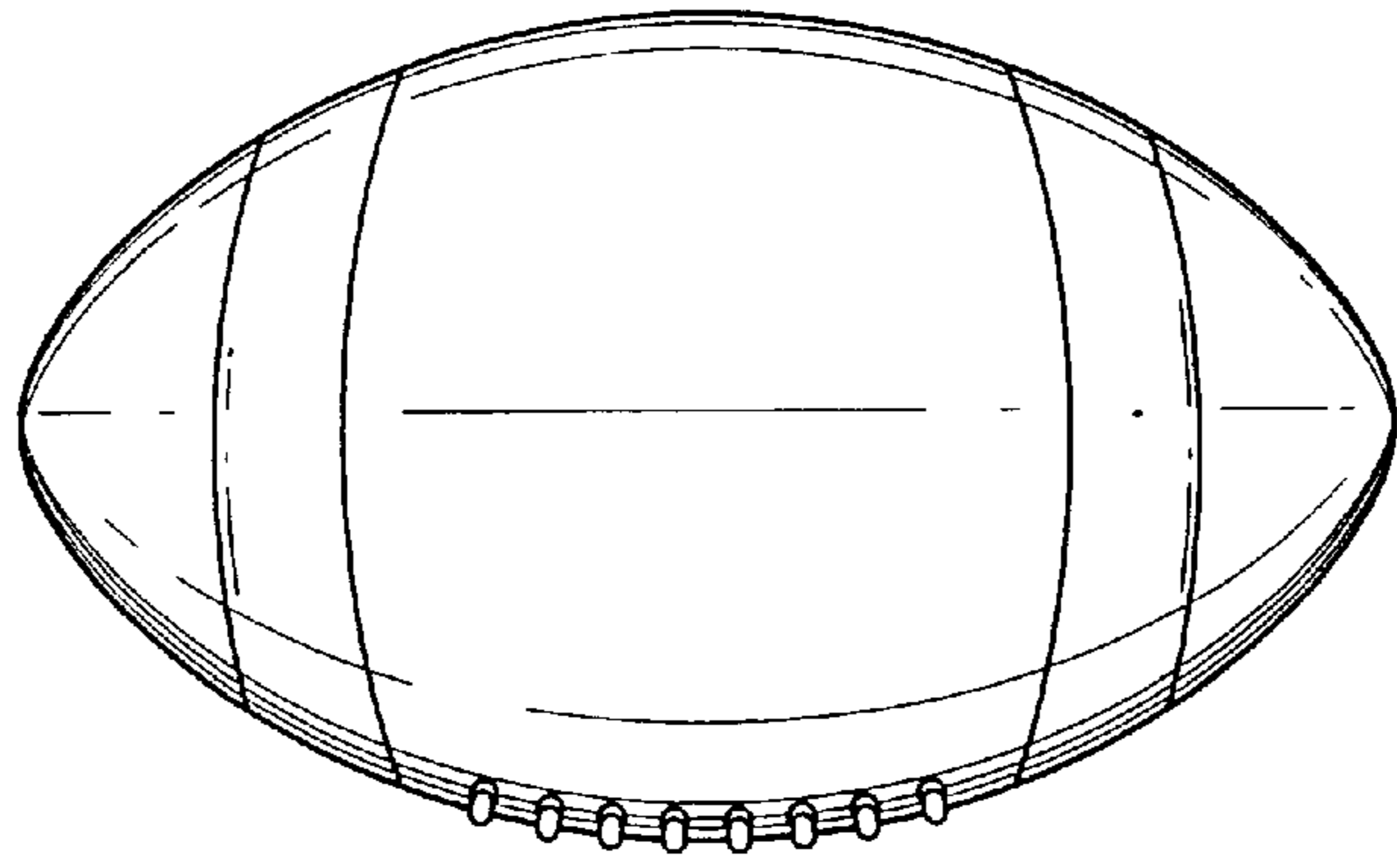


FIG. 4

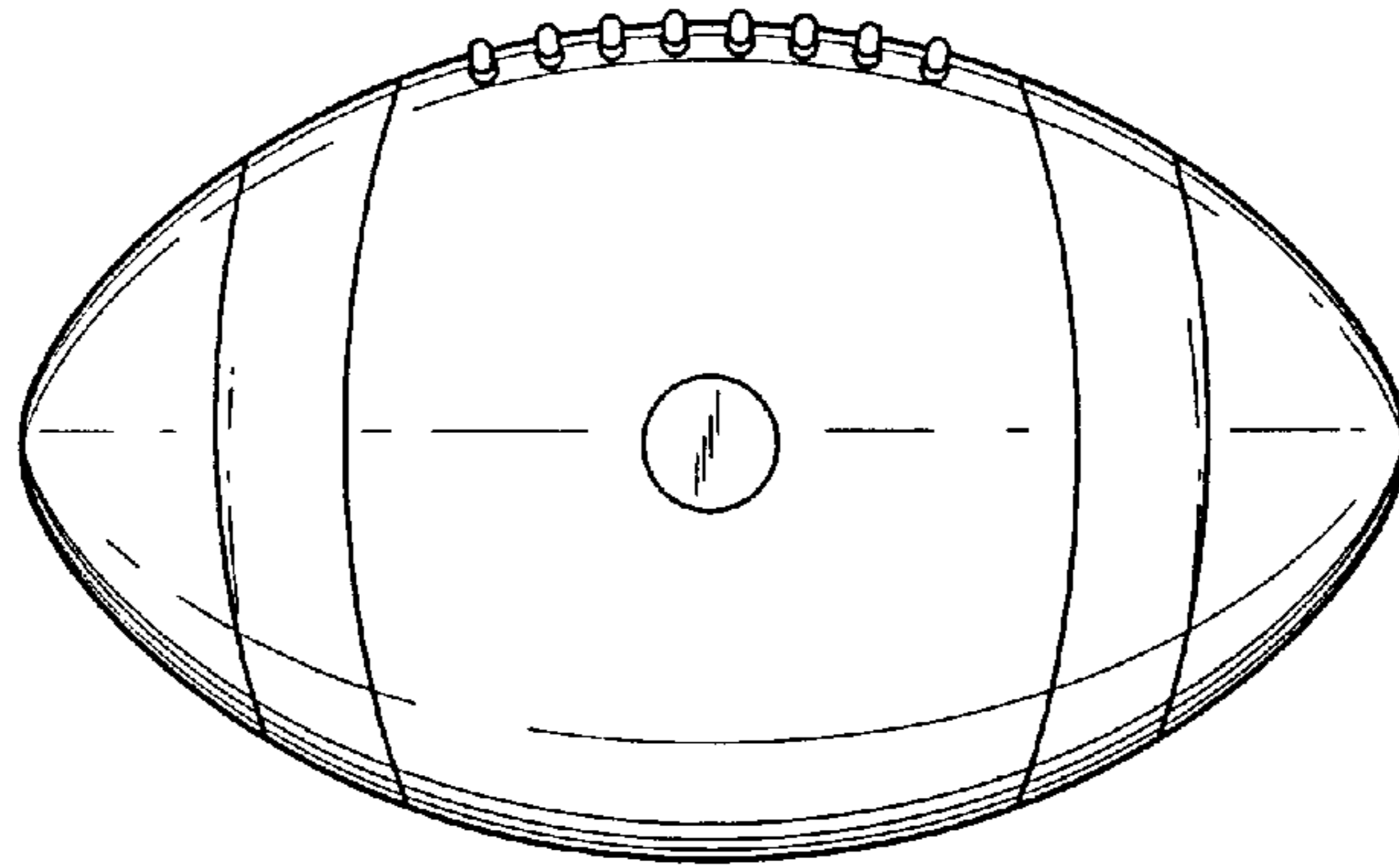


FIG. 5

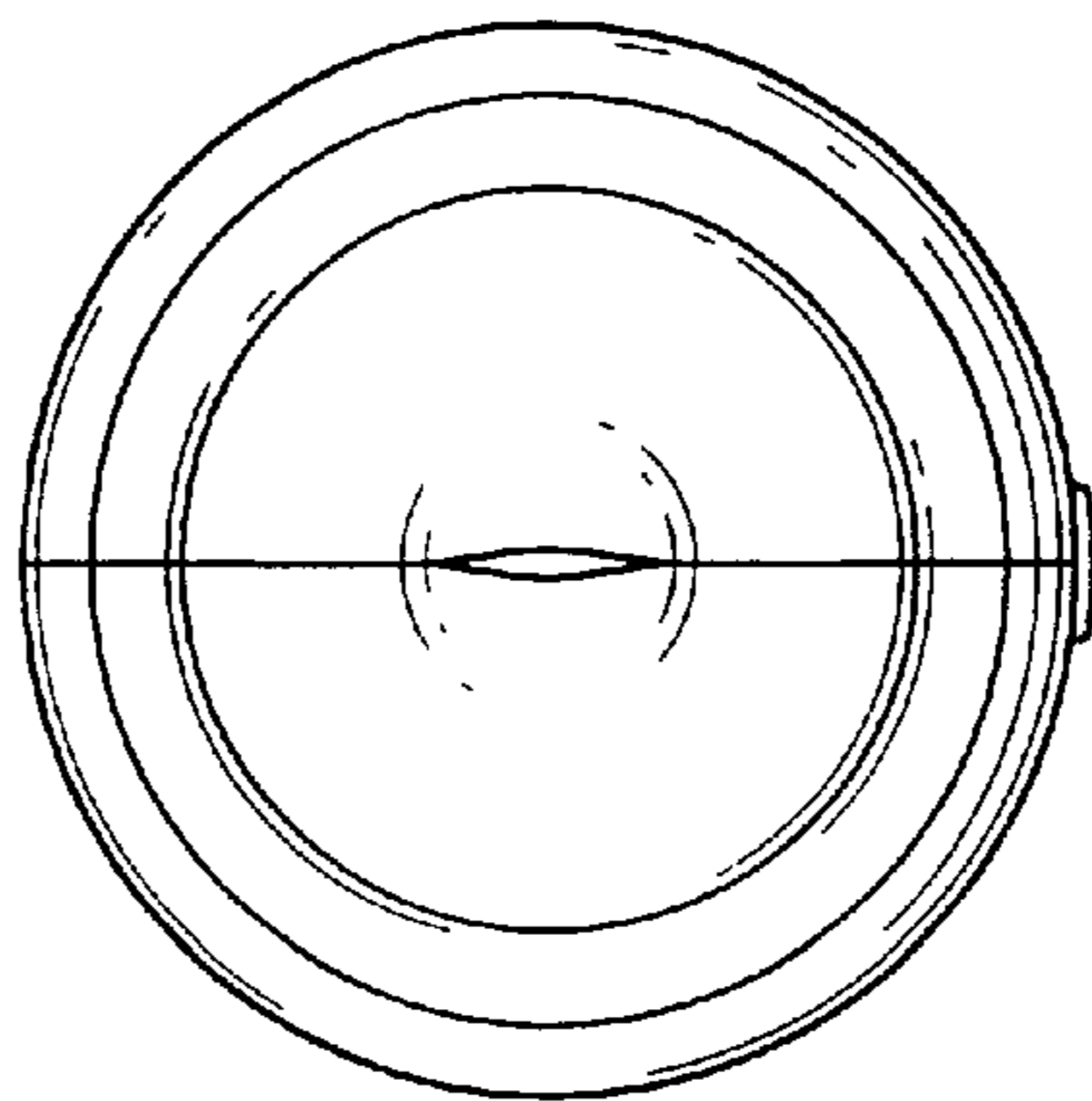


FIG. 6