



US00D424063S

United States Patent [19]

Kudo

[11] **Patent Number: Des. 424,063**

[45] **Date of Patent: ** May 2, 2000**

[54] **FILM ANTENNA FOR A VEHICLE**

[75] Inventor: **Shigeki Kudo**, Kawasaki, Japan

[73] Assignee: **Harada Kogyo Kubushiki Kaisha**,
Tokyo, Japan

[**] Term: **14 Years**

[21] Appl. No.: **29/097,724**

[22] Filed: **Dec. 11, 1998**

[30] **Foreign Application Priority Data**

Jun. 15, 1998 [JP] Japan 10-16821

[51] **LOC (7) Cl.** **14-03**

[52] **U.S. Cl.** **D14/230**

[58] **Field of Search** D14/230-238;
373/700 MS, 702, 795

[56] **References Cited**

U.S. PATENT DOCUMENTS

D. 339,352	9/1993	Giles et al.	D14/232
3,228,030	1/1966	Moore	343/866
4,736,207	4/1988	Siikarla et al.	343/700 MS
5,376,943	12/1994	Blunden et al.	343/795
5,563,616	10/1996	Dempsey et al.	343/700 MS
5,668,559	9/1997	Baro	343/702

5,696,372 12/1997 Grober et al. 343/795

FOREIGN PATENT DOCUMENTS

3129045 10/1982 Germany 343/895

OTHER PUBLICATIONS

IBM Technical Disclosure Bulletin, vol. 36 No. 09A, p. 433Antenna on Flexible Carrier (FIGS. 1 and 2), Sep. 1993.

Primary Examiner—Louis S. Zarfar

Assistant Examiner—G. Andoll

[57] **CLAIM**

The ornamental design for a film antenna for a vehicle, as shown and described.

DESCRIPTION

FIG. 1 is a front elevational view of a film antenna for a vehicle, showing my new design;

FIG. 2 is a top plan view thereof;

FIG. 3 is a bottom plan view thereof;

FIG. 4 is a right side elevational view thereof;

FIG. 5 is a left side elevational view thereof;

FIG. 6 is a rear elevational view thereof;

FIG. 7 is a front, bottom and left side perspective view thereof; and,

FIG. 8 is a sectional view taken along line 8-8 of FIG. 1.

1 Claim, 2 Drawing Sheets

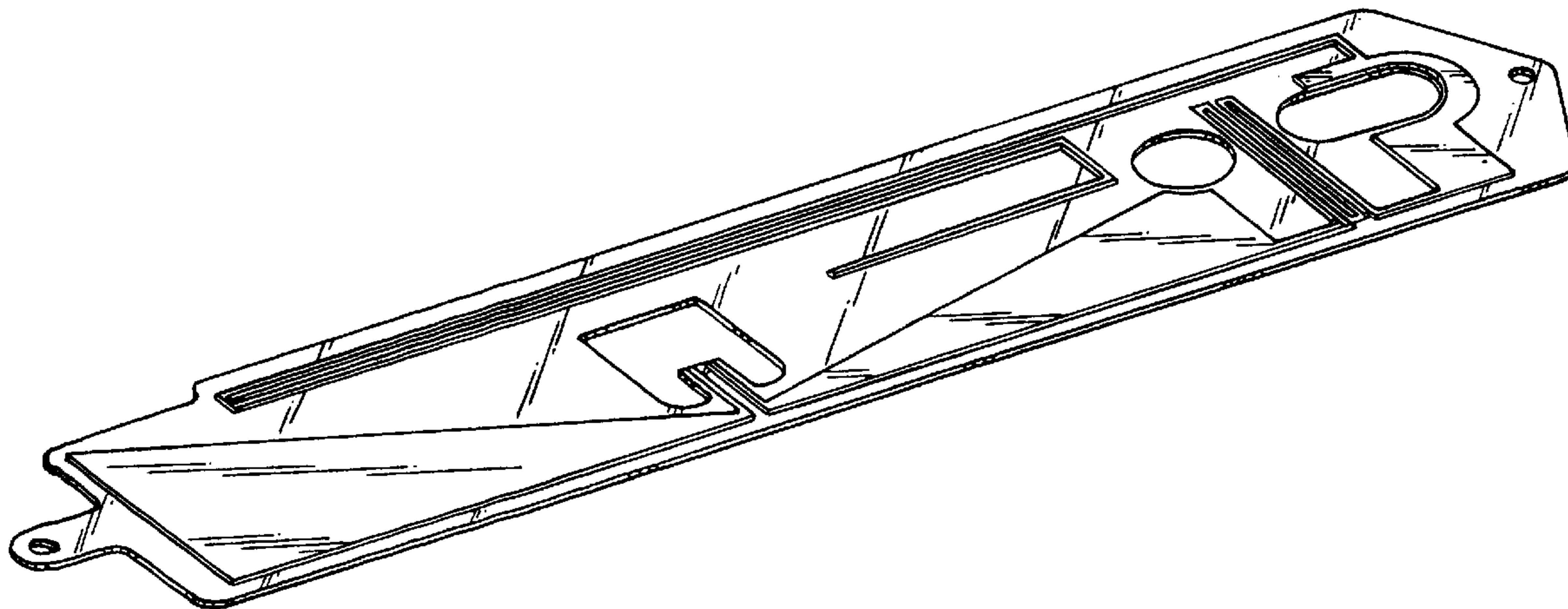


FIG.2



FIG.4

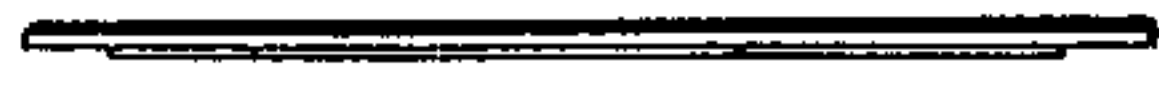


FIG.1

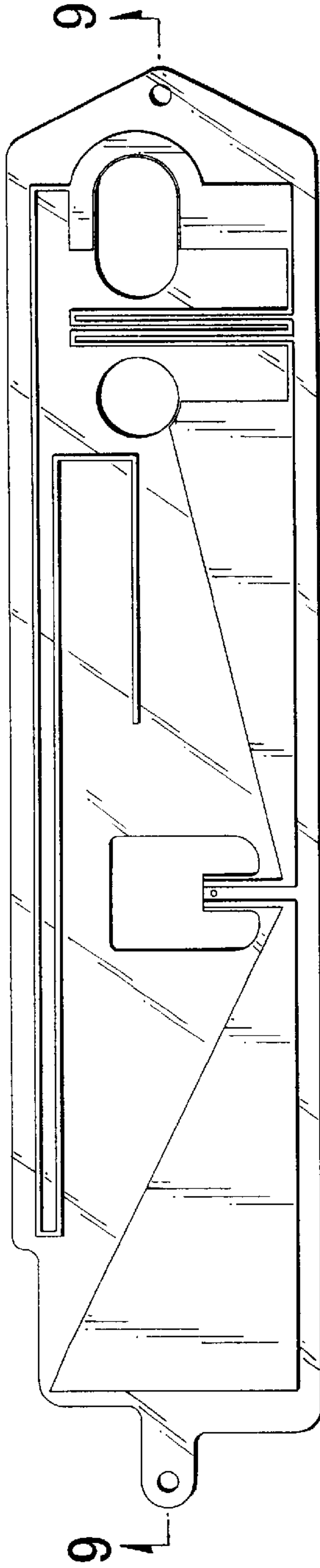


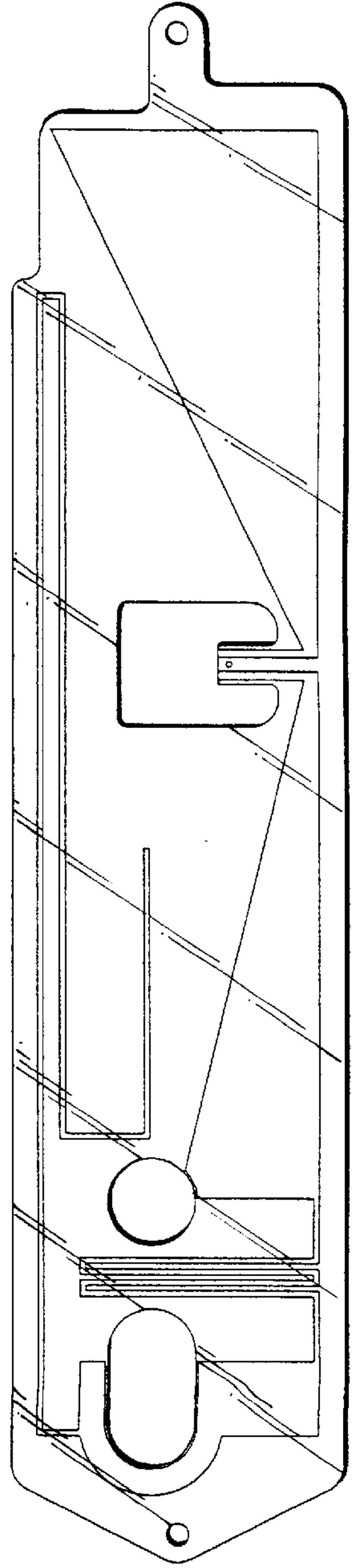
FIG.3



FIG.5



FIG.6



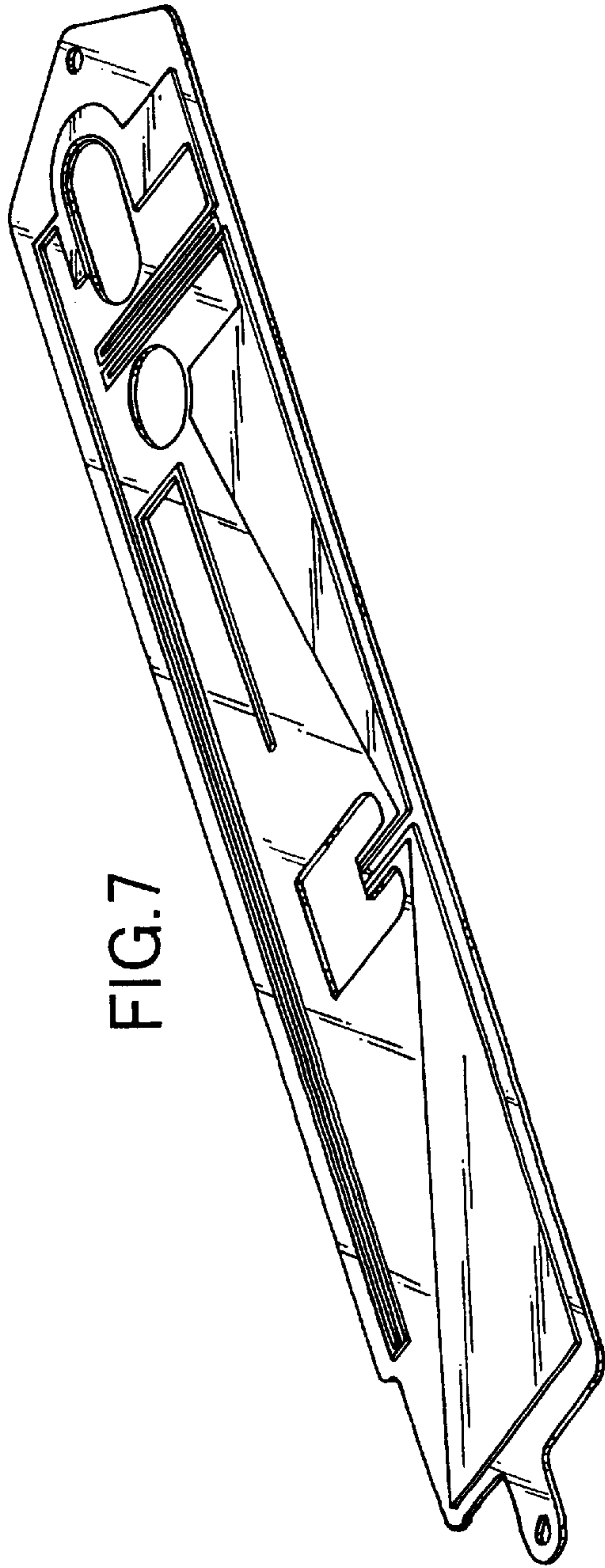


FIG. 7



FIG. 8