



US00D424057S

**United States Patent** [19]  
**Zeitman**

[11] **Patent Number: Des. 424,057**

[45] **Date of Patent: \*\* May 2, 2000**

[54] **COMBINED RADIO AND CASSETTE  
PLAYER**

D. 350,959 9/1994 Sumikawa ..... D14/163  
D. 351,168 10/1994 Sumikawa ..... D14/163 X  
5,635,908 6/1997 Soper ..... 456/344 X

[75] Inventor: **Josh Zeitman**, Brooklyn, N.Y.

*Primary Examiner*—Nanda Bondade  
*Attorney, Agent, or Firm*—Burns, Doane, Swecker &  
Mathis, L.L.P.

[73] Assignee: **Lenox Electronics Corp.**, Brooklyn,  
N.Y.

[\*\*] Term: **14 Years**

[57] **CLAIM**

[21] Appl. No.: **29/103,023**

The ornamental design for “a combined radio and cassette  
player”, as shown and described.

[22] Filed: **Apr. 6, 1999**

**DESCRIPTION**

[51] **LOC (7) Cl.** ..... **14-01**

FIG. 1 is a front view of “a combined radio and cassette  
player” showing my design;  
FIG. 2 is a rear view thereof;  
FIG. 3 is a left side view thereof;  
FIG. 4 is a right side view thereof;  
FIG. 5 is a top plan view thereof;  
FIG. 6 is a bottom view thereof; and,  
FIG. 7 is a perspective view thereof.

[52] **U.S. Cl.** ..... **D14/163**

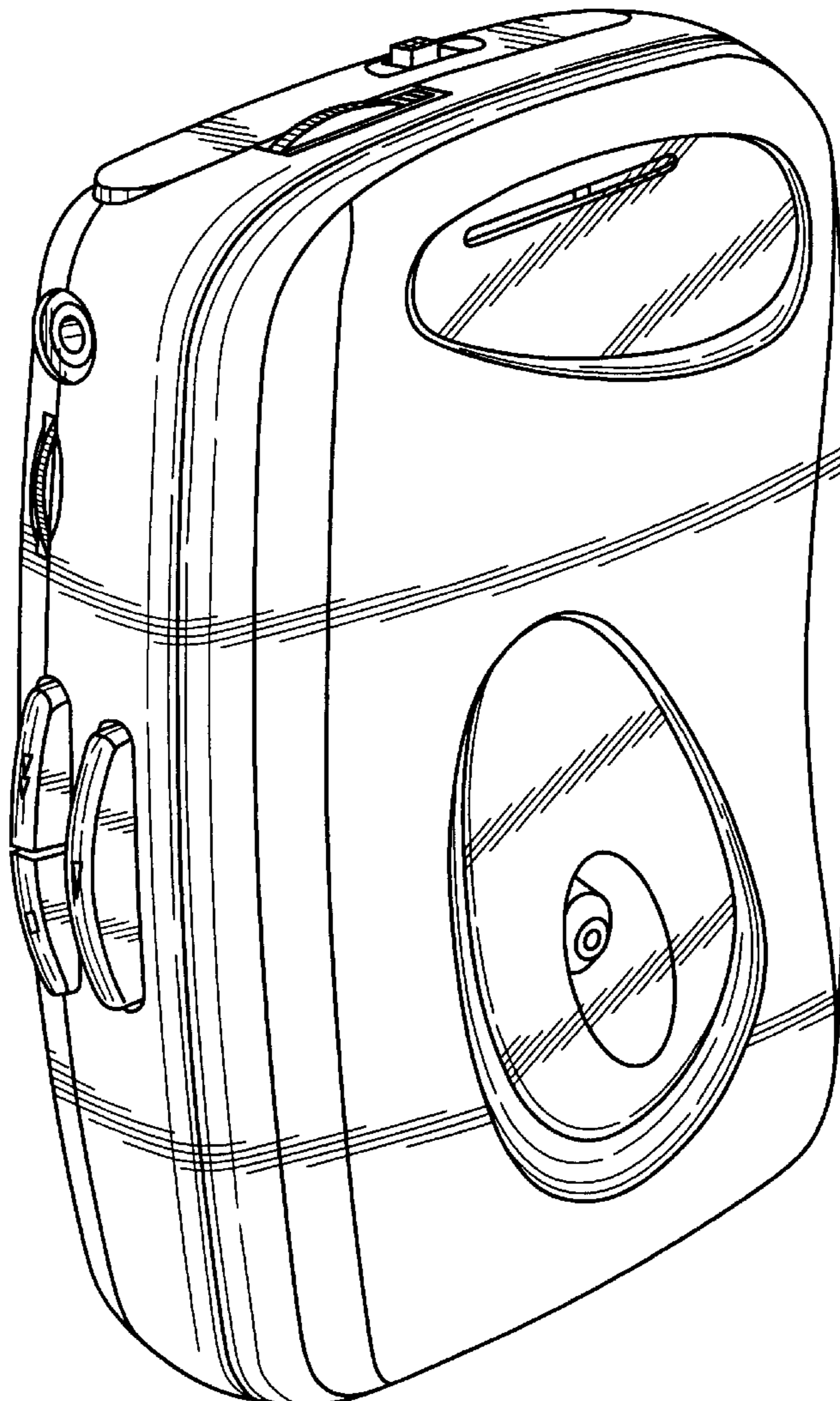
[58] **Field of Search** ..... D14/160–165,  
D14/167–168, 188, 192–198; 455/344,  
347–351

[56] **References Cited**

**U.S. PATENT DOCUMENTS**

D. 350,751 9/1994 Matsuzaka ..... D14/165

**1 Claim, 5 Drawing Sheets**



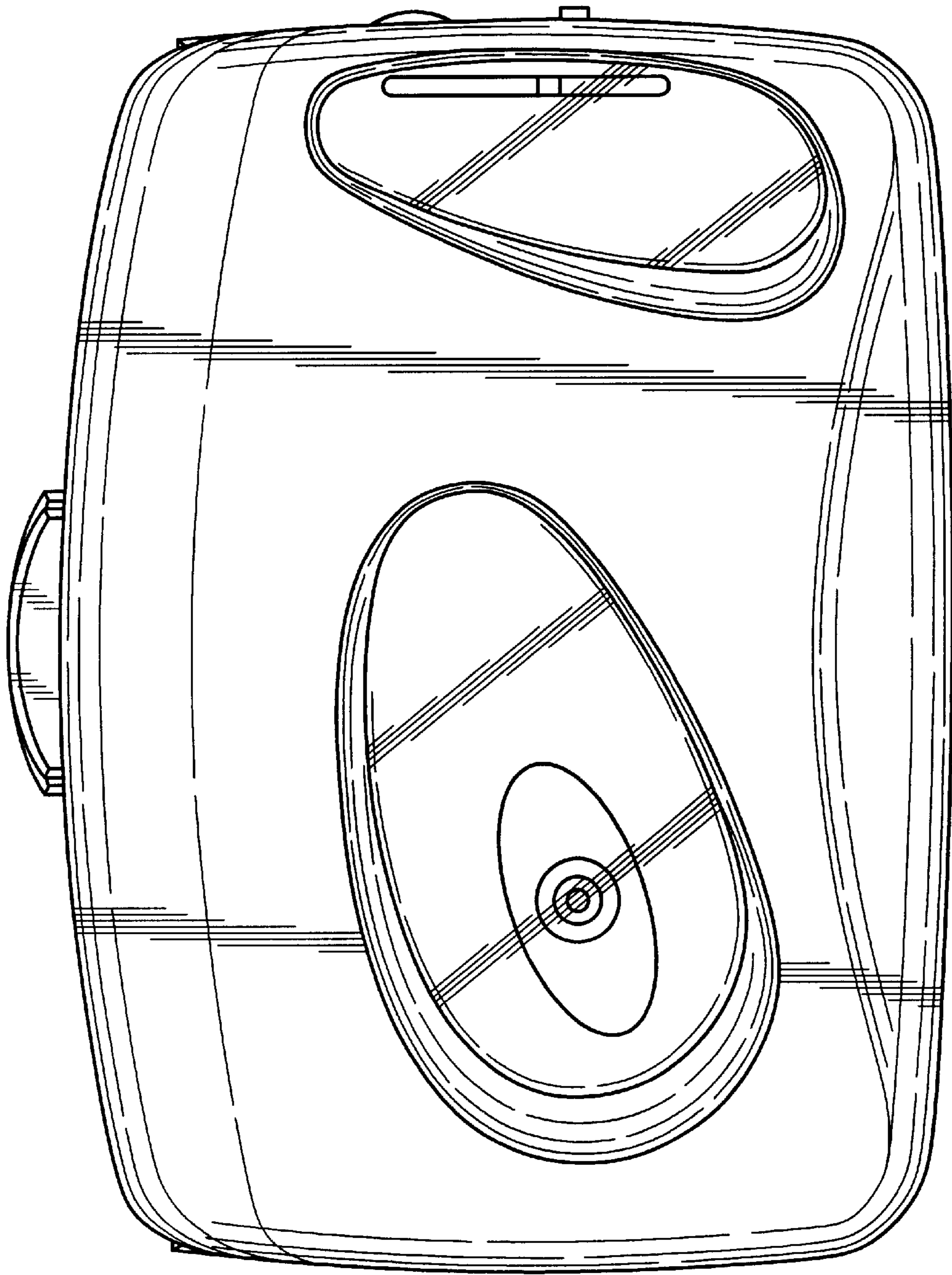


FIG. 1

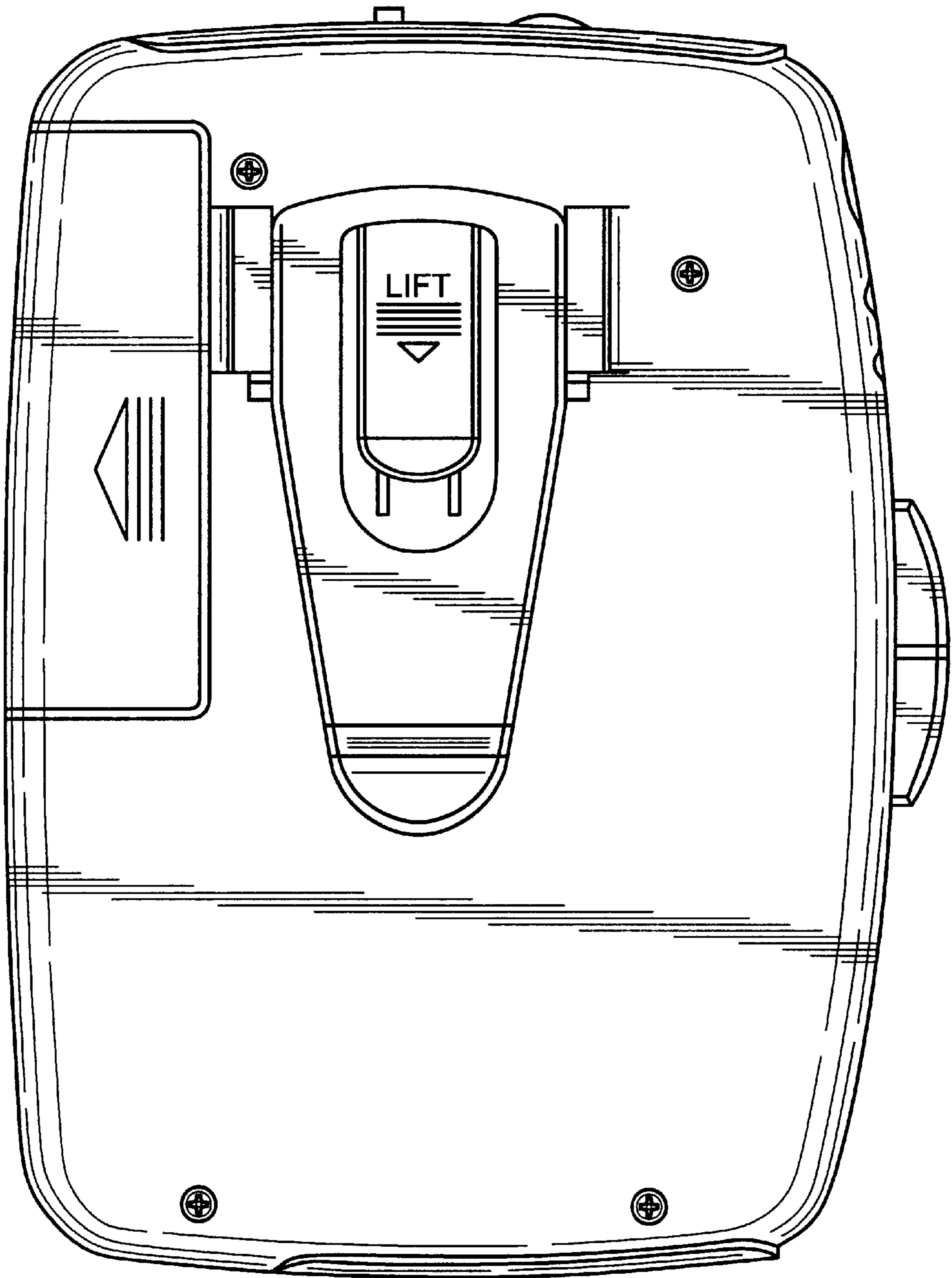


FIG. 2

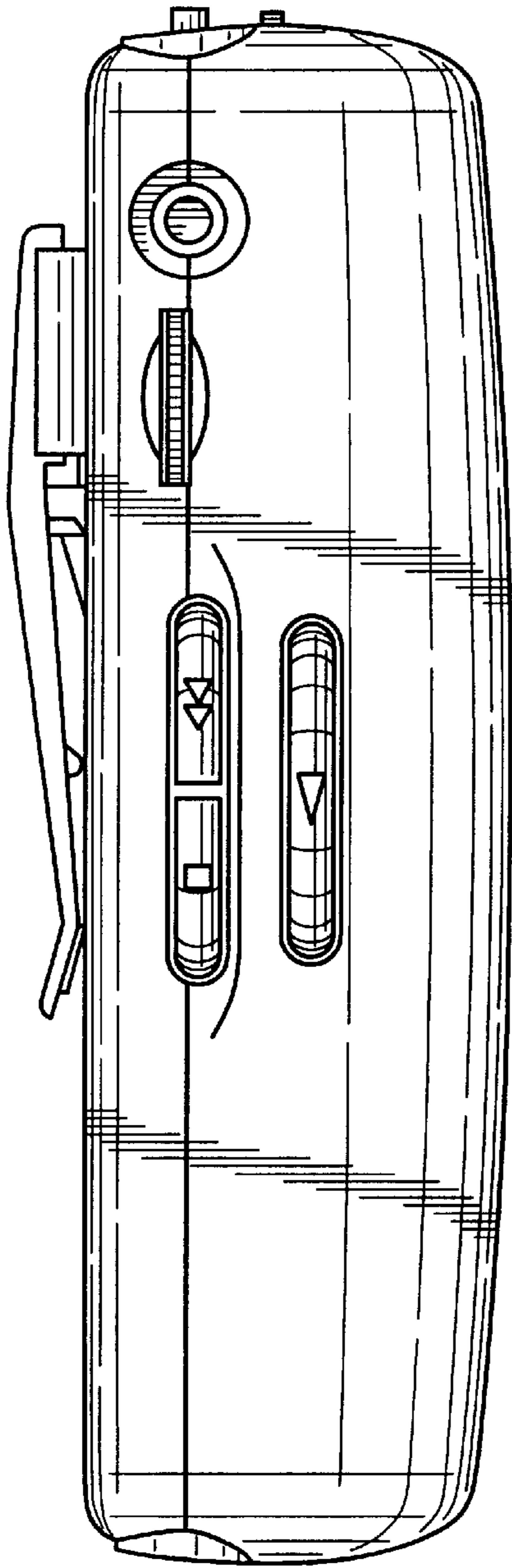


FIG. 3

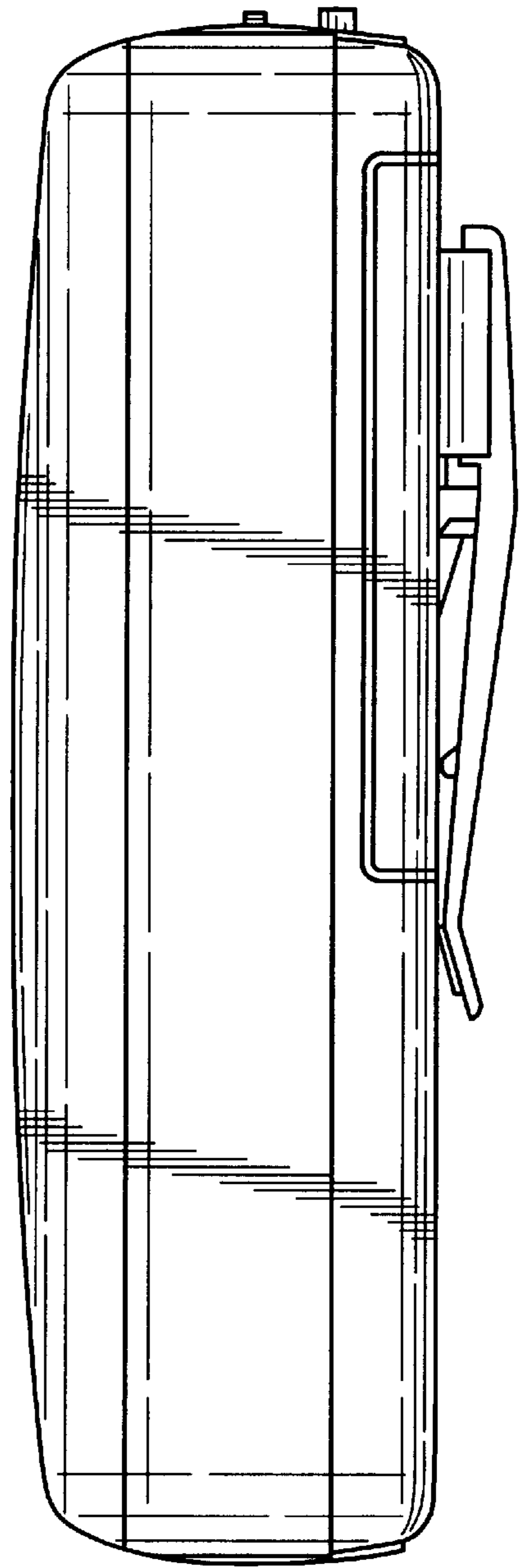


FIG. 4

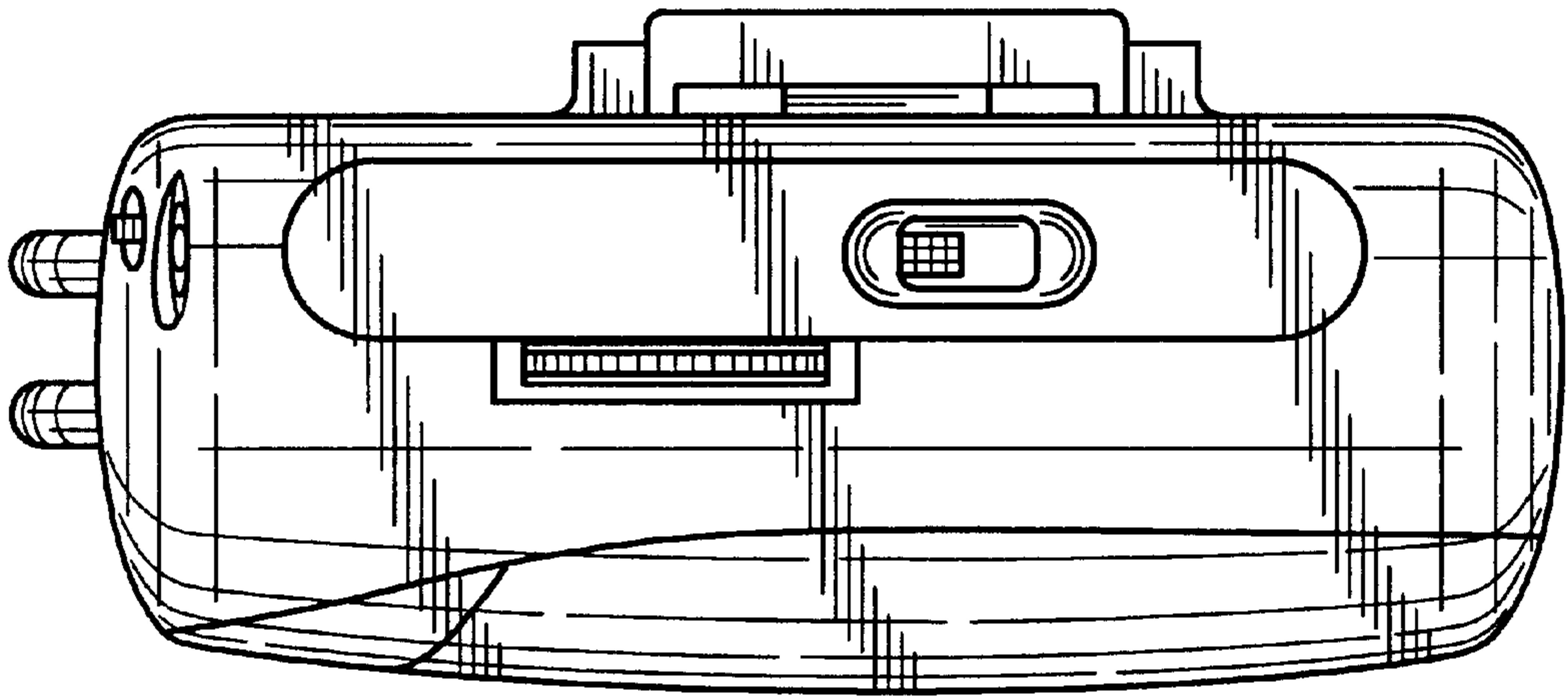


FIG. 5

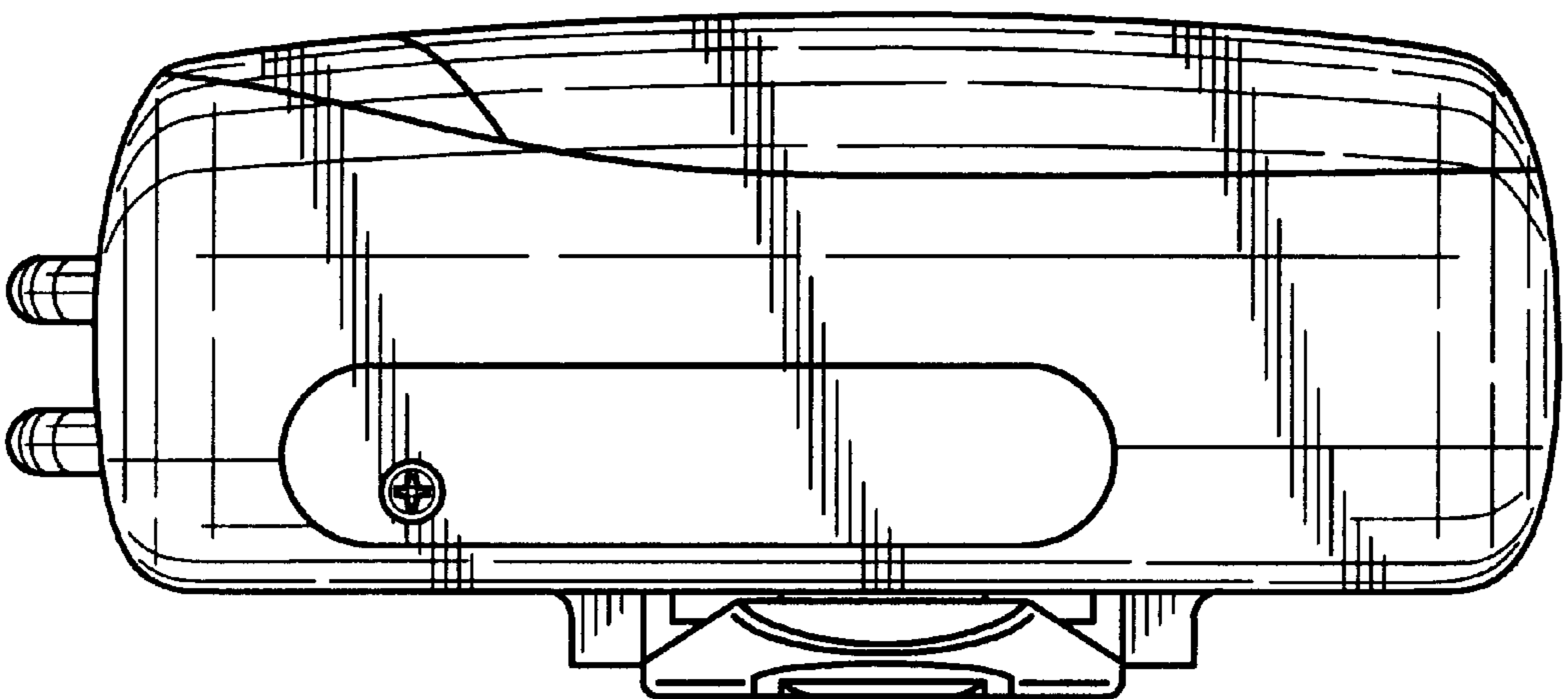


FIG. 6



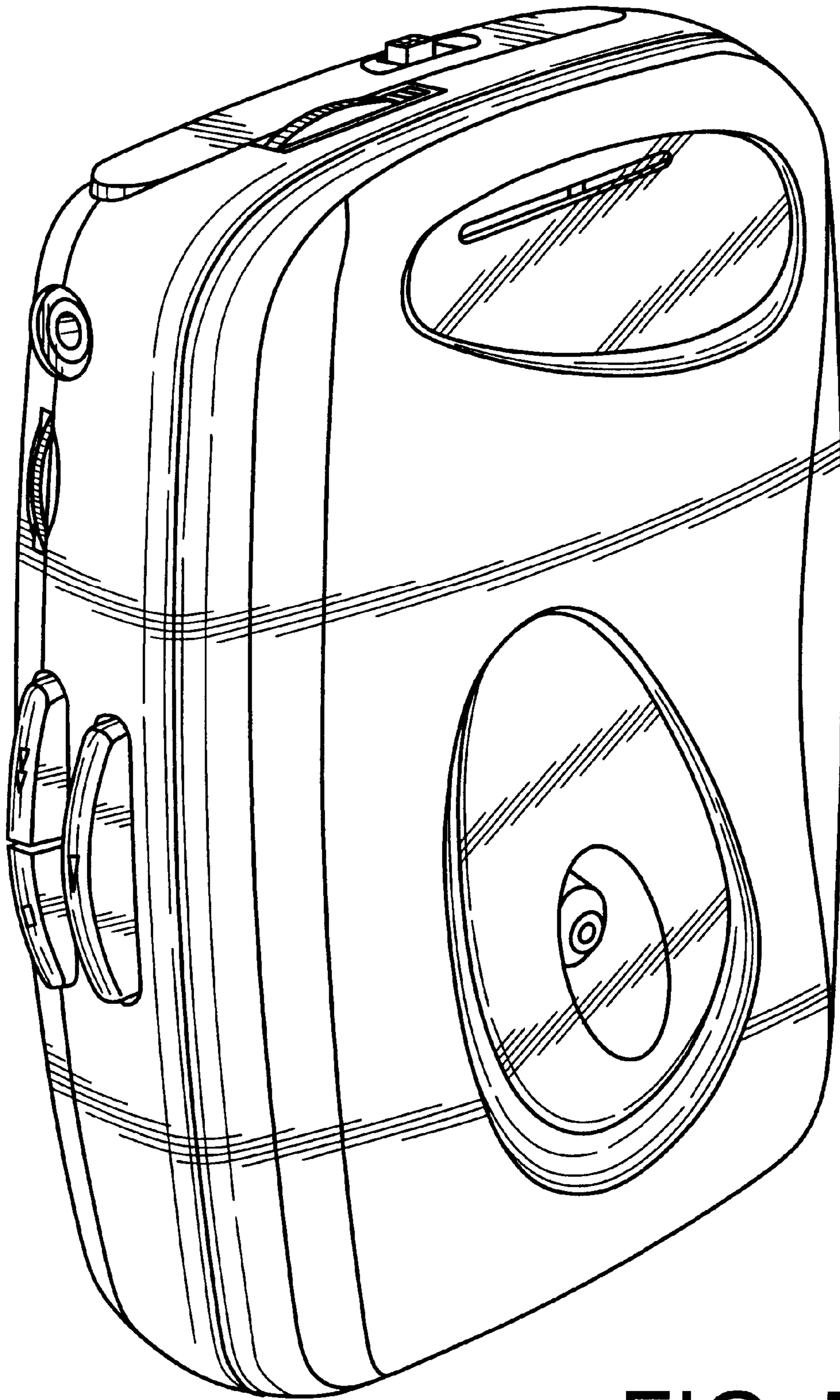


FIG. 7